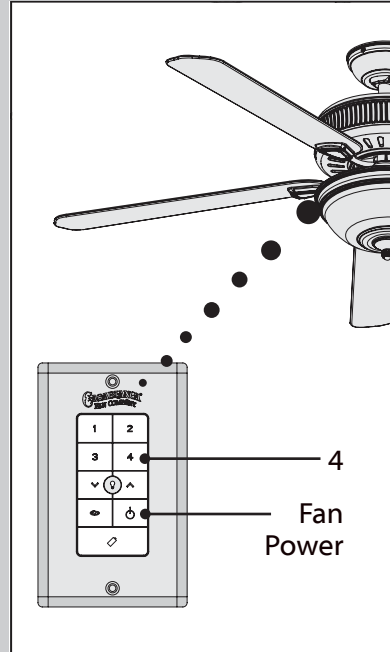
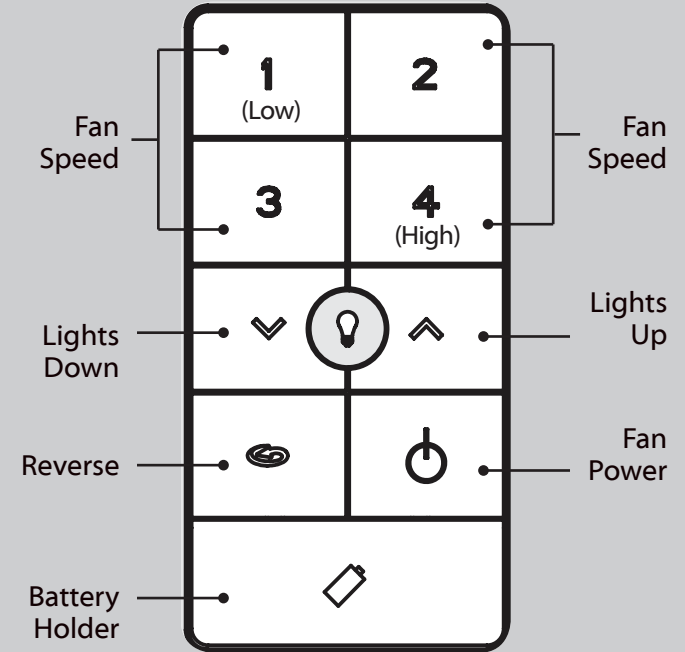


Once the power is turned on, the remote must be paired within three minutes. Pairing is only required once after initial installation.



The fan must be paired before it will operate. Press the "4" button and the fan power button simultaneously for at least three seconds. The fan will turn at the lowest speed signifying that the remote pairing process is complete.



Quickly press the up or down arrow to turn the lights off and on. Hold the up or down arrow to dim or raise the light level. The reverse button changes the direction that the blades turn. The power button turns the fan off and on.

Industry Canada: Operation is subject to the following two conditions: (1) this device may not cause interference, and (2) this device must accept any interference, including interference that may cause undesired operation of the device.

