

6

5

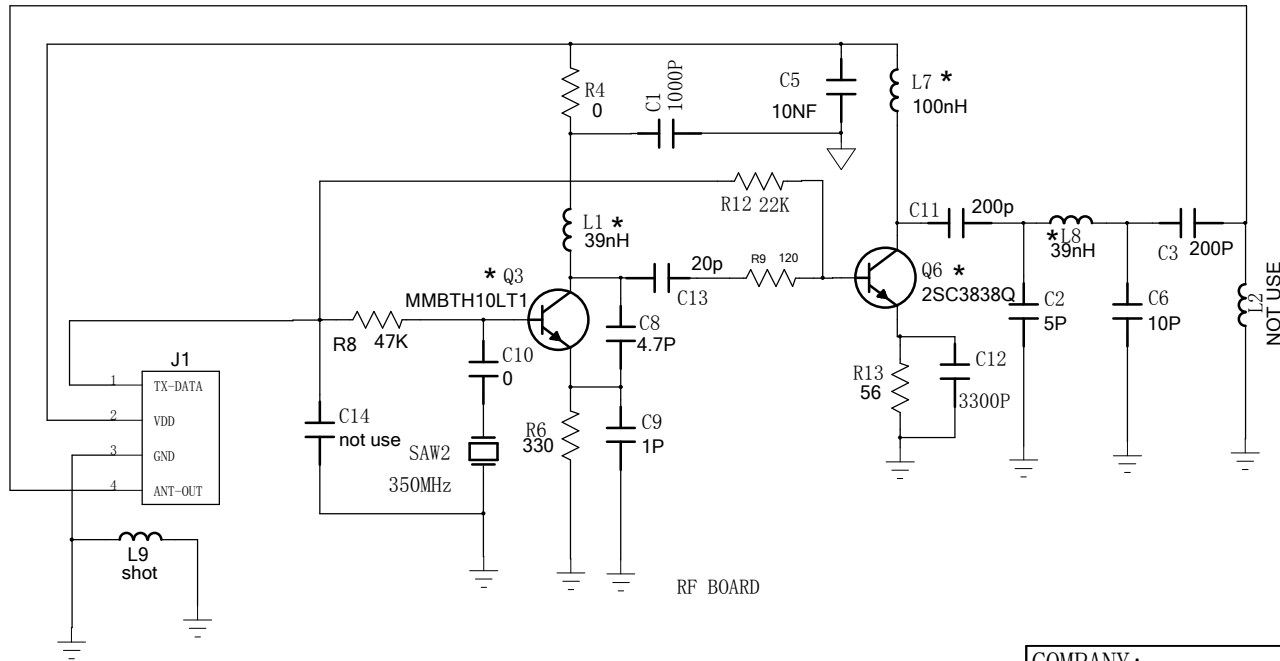
4

3

2

1

REVISION RECORD		DATE:
REV1.0	FIRST RELEASE	2009.06.26
REV2.0		



RF BOARD

Remark:

Item	Rev2	Rev3	Rev4	Rev5
L9	100nH	shot		
C14	1000P	not use		
C10		100P	10P	0 ohm
R8			22K	47K

COMPANY:				COMPUTIME		
TITLE:				HUN3501 350MHz TX Module		
				Hunter 27185 Fan And Light Remote Control		
DRAWN: CB CAI	DATED: MAY.18. 2010	SIZE: A4	FILE NAME HUN3501_TX_Module_Rev2	PCB FILE NAME:	REV: 5	
CHECKED:	DATED:	SCALE:		SHEET: OF		
APPROVED:	DATED:					
RELEASED:	DATED:					

D

D

C

C

B

B

A

A