

6

5

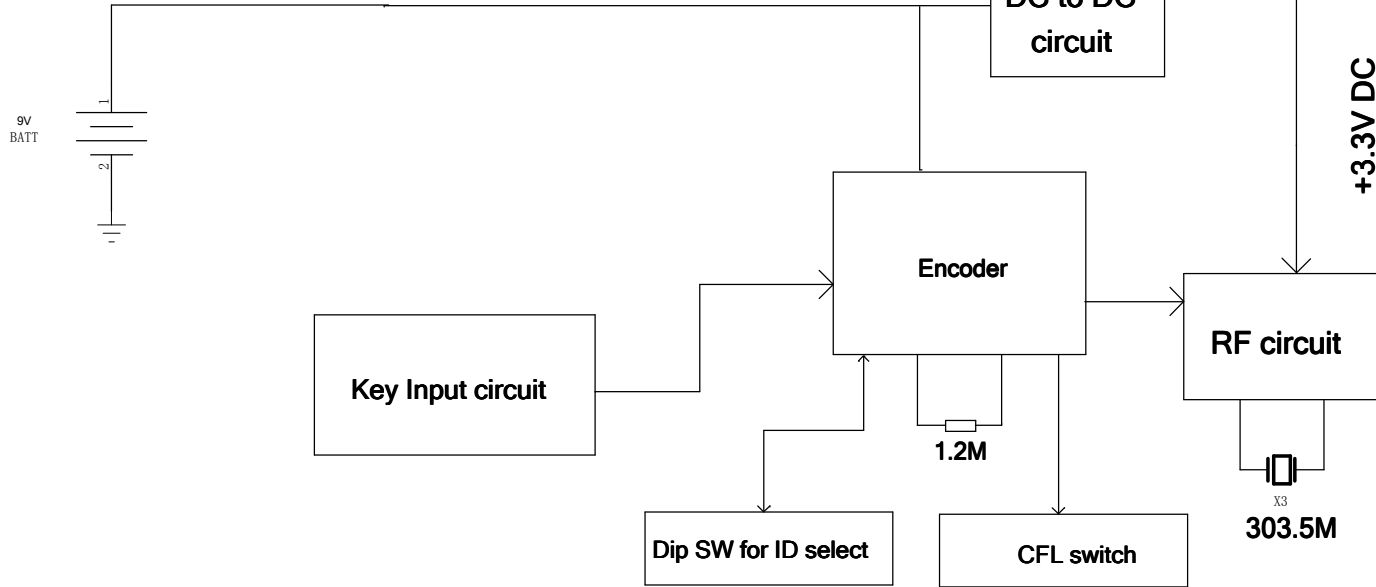
4

3

2

1

REVISION RECORD			
LTR	ECO NO:	APPROVED:	DATE:



COMPANY:				Computime.Ltd			
TITLE:				TX Block drawing of HUN3501			
CODE:	SIZE:	DRAWING NO:		REV:			
	B			1			
SCALE:				SHEET: 1 OF 2			

DRAWN:	Wy Qu	DATED:	25/Jun/2010
CHECKED:	Hoey Ng	DATED:	25/Jun/2009
QUALITY CONTROL:		DATED:	
RELEASED:		DATED:	

D

C

B

A

D

C

B

A

6

5

4

3

2

1

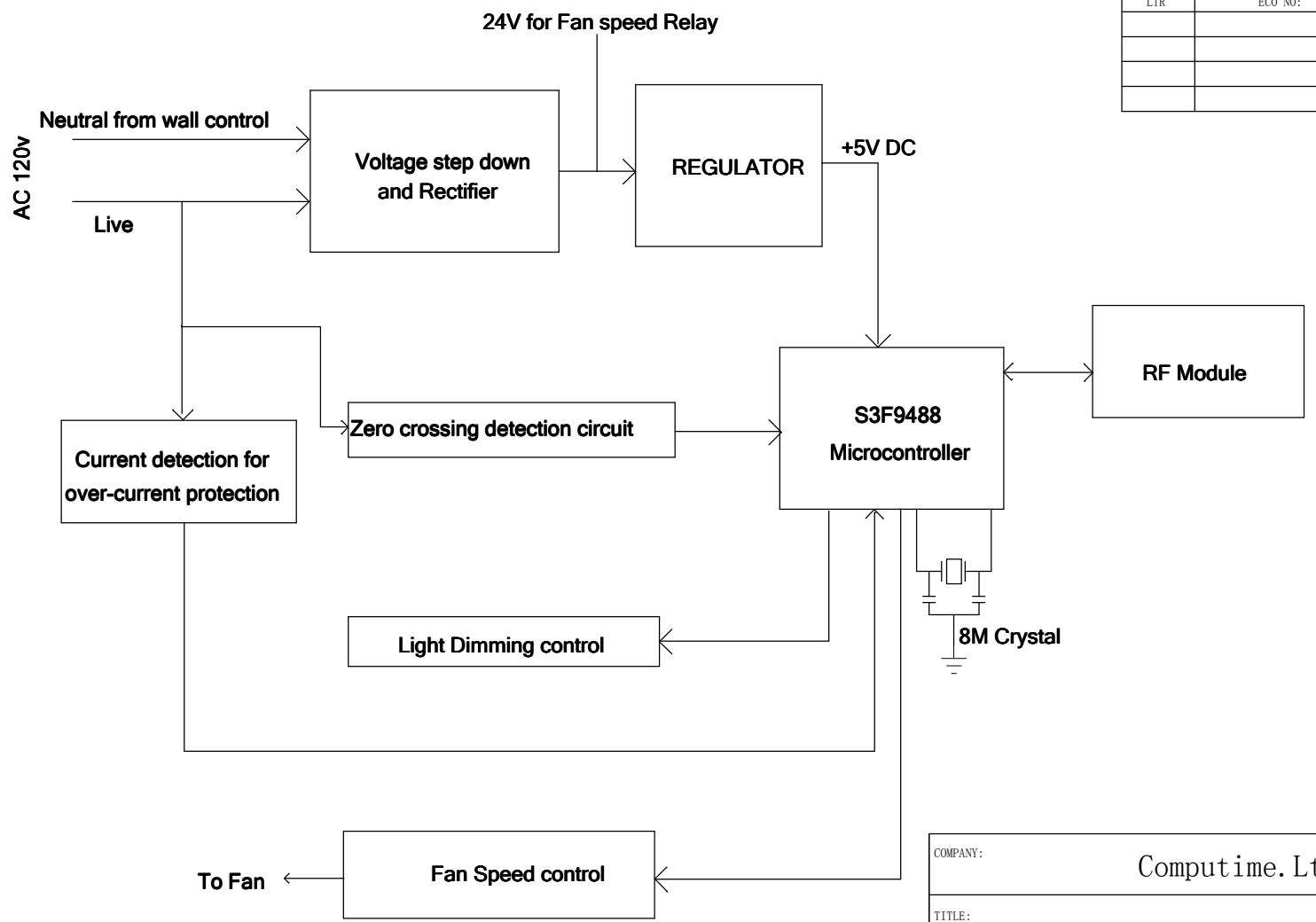
D

C

B

A

REVISION RECORD			
LTR	ECO NO:	APPROVED:	DATE:



24V for Fan speed Relay

AC 120V
Neutral from wall control
Live

Voltage step down and Rectifier

REGULATOR

+5V DC

Current detection for over-current protection

Zero crossing detection circuit

S3F9488
Microcontroller

RF Module

Light Dimming control

8M Crystal

Fan Speed control

To Fan

COMPANY:				Computime.Ltd							
TITLE:								RX main board of HUN3501			
CODE:		SIZE:		DRAWING NO:		REV:					
		B				1					
SCALE:						SHEET: 2 OF 2					

DRAWN:	Wy Qu	DATED:	25/Jun/2010
CHECKED:	Hoey Ng	DATED:	25/Jun/2009
QUALITY CONTROL:		DATED:	
RELEASED:		DATED:	

D

C

B

A