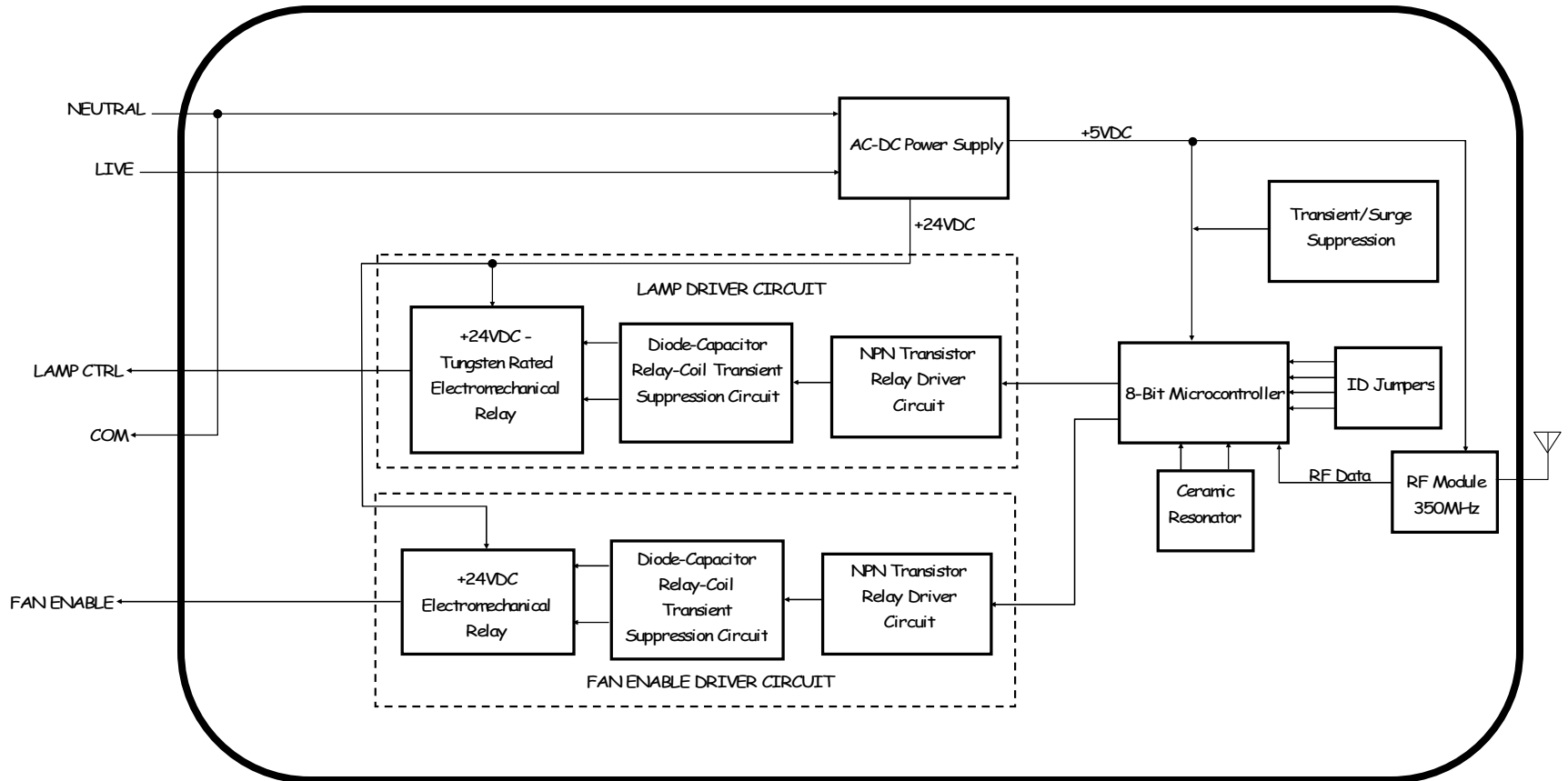


# SIMPLE ON & OFF (27157)

## Receiver - Controller Block Diagram



# SIMPLE ON & OFF (27157)

## Transmitter - Controller Block Diagram

