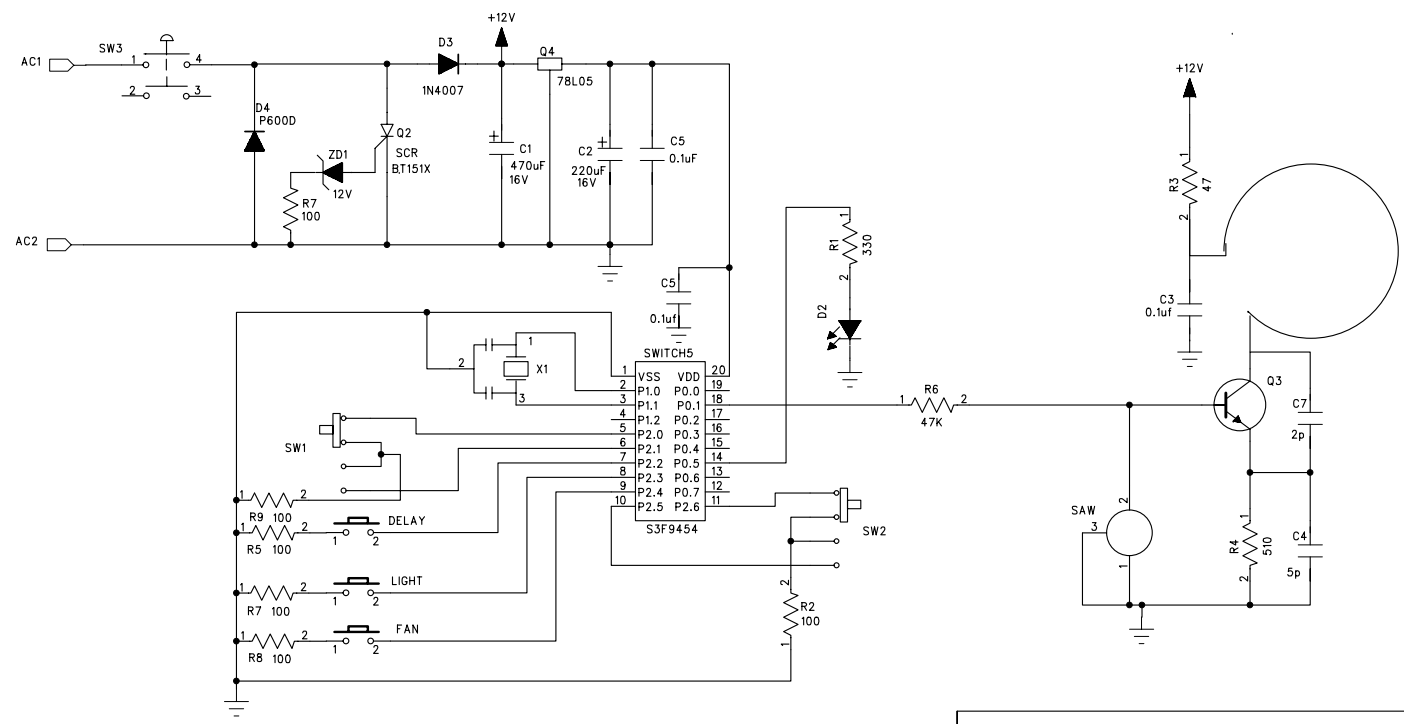


6 5 4 3 2 1

D
C
B
A

REVISION RECORD			
LTR	ECO NO:	APPROVED:	DATE:



COMPANY: **COMPUTIME**

TITLE: **HUNB32A WALL CONTROL OF FAN AND LIGHT**

CODE:	SIZE:	DRAWING NO:	REV:

SCALE: _____ SHEET: OF _____

DRAWN: SunBo	DATED: 04/11/24
CHECKED:	DATED:
QUALITY CONTROL:	DATED:
RELEASED:	DATED:

A