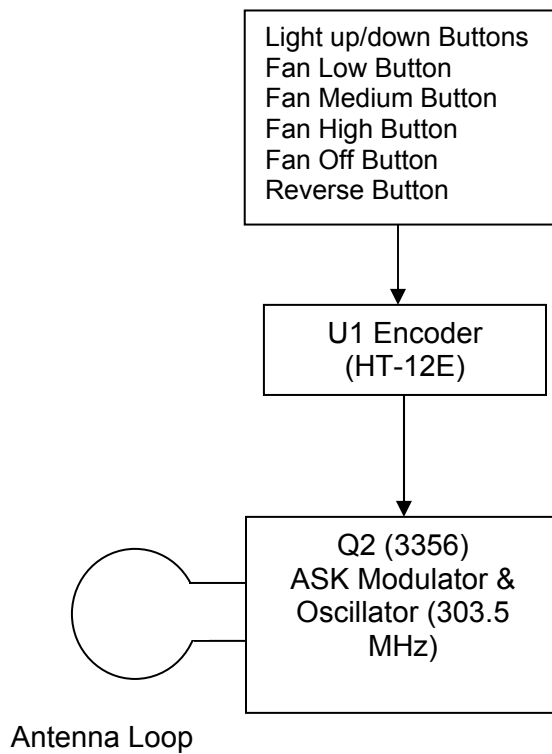


Hunter Fan & Light Remote Control Transmitter Operational Description

Description:

The top box of the diagram below represents all of the potential keys that may be pressed for the Hunter transmitter. Pressing any key generates an encoded PCM code word which will modulate on a 303.5 MHz RF carrier for transmission. The encoded PCM code word is obtained from encoder U1 and is ASK modulated by the RF oscillator formed by transistor Q2. Encoder U1 also provides four selectable security bits which can be set by the user.



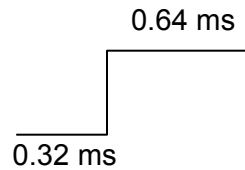
Hunter Fan & Light Remote Control RF Transmitter Coding

Description: The Hunter transmitter uses the following code words to modulate on a 303.5 MHz RF carrier by using ASK modulation.

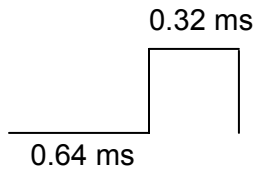
Code words for the different commands:

1xxx0000001
1xxx0000010
1xxx0000100
1xxx0001000
1xxx0010000
1xxx0100000
1xxx1000000 (Where "x" can be set to "1" or "0" by the user with DIP switches.)

Code "0" is represented as:



Code "1" is represented as:



The total cycle time (from the beginning of one pulse pattern to the same point on the next pulse pattern) is 23.9 ms.