

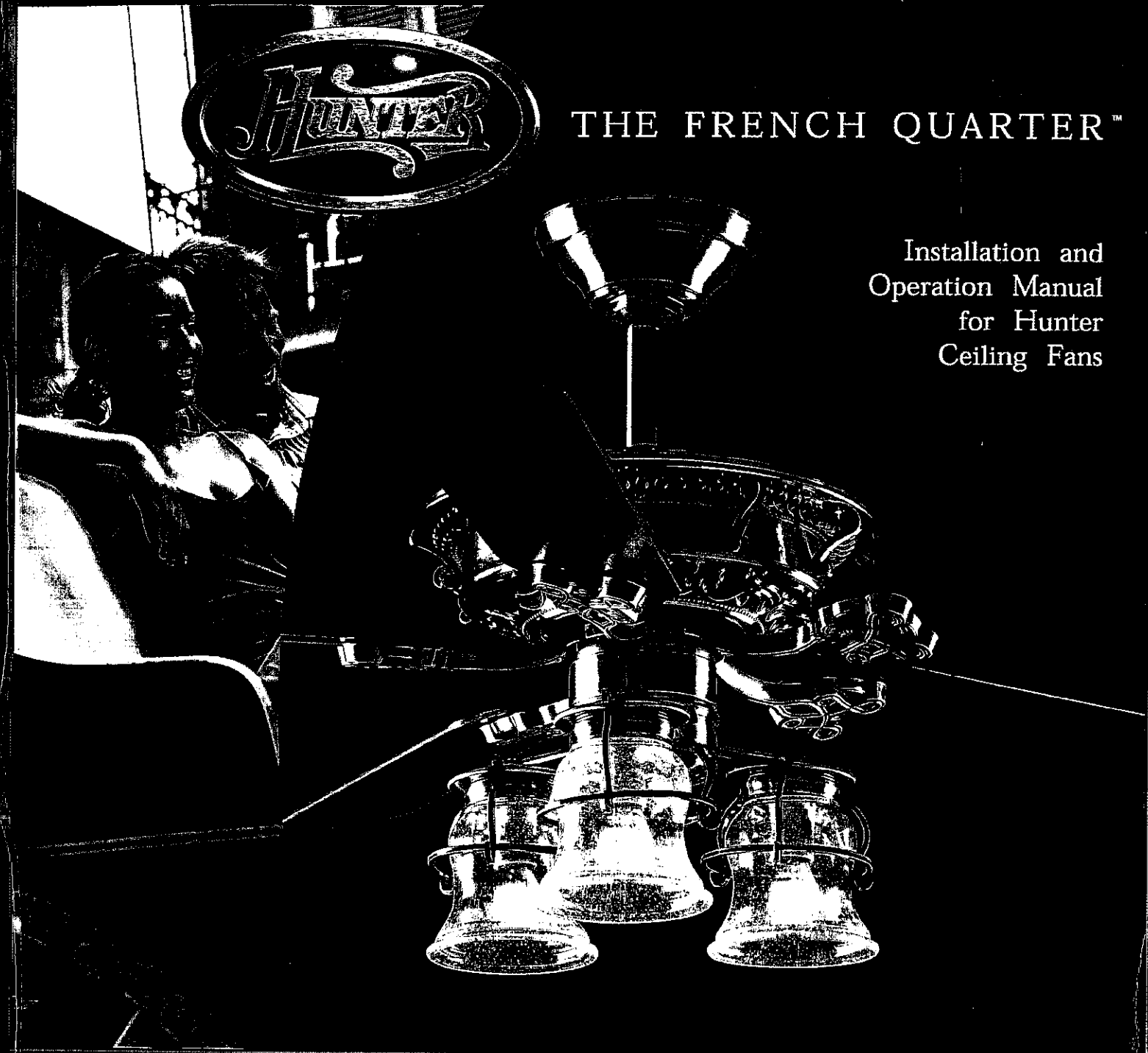
DESIGNER'S CHOICE COLLECTION™



Manual de
Instalacion y Operacion
Para Los Ventiladores
de Techo Hunter

THE FRENCH QUARTER™

DESIGNER'S CHOICE COLLECTION™



THE FRENCH QUARTER™

Installation and
Operation Manual
for Hunter
Ceiling Fans

For Your Records and Warranty Assistance

Model Name: _____
 Catalog/Model No.: _____
 Serial No.: _____
 Date Purchased: _____
 Where Purchased: _____

For reference also attach your receipt or a copy of your receipt to the manual.

Table of Contents

1 • Getting Ready4
 2 • Installing the Ceiling Plate.....5
 3 • Assembling the Fan6
 4 • Installing the Blade Irons.....8
 5 • Hanging the Fan9
 6 • Wiring the Fan..... 10
 7 • Installing the Canopy and Canopy Trim Ring..... 11
 8 • Installing the Blades..... 12
 9 • Installing the Light Kit..... 13
 10 • Installing the Wall Control 14
 11 • Operating and Cleaning Your Ceiling Fan..... 15
 12 • Operating the Remote Control and Mounting the Holder..... 16
 13 • Operating the Wall Control 17
 14 • Troubleshooting..... 18

© 2004 Hunter Fan Company

Your new Hunter® ceiling fan is an addition to your home or office that will provide comfort and performance for many years. This installation and operation manual gives you complete instructions for installing and operating your fan.

We are proud of our work. We appreciate the opportunity to supply you with the best ceiling fan available anywhere in the world.

Before installing your fan, for your records and warranty assistance, record information from the carton and Hunter nameplate label (located on the top of the fan motor housing).

Easy Lock™ Blade System

Your new Hunter ceiling fan includes our exclusive Easy Lock™ blade assembly, which enables you to lock the blades in place without tools and eliminates several assembly tasks. It also enables you to remove the blades easily for cleaning.

Cautions and Warnings

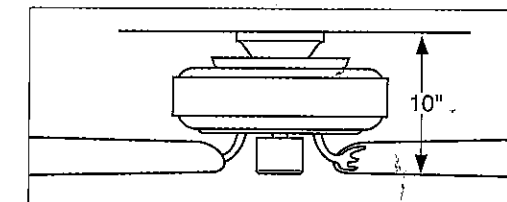
- Read this entire manual carefully before beginning installation. Save these instructions.
- Use only Hunter replacement parts.
- To reduce the risk of personal injury, attach the fan directly to the support structure of the building according to these instructions, and use only the hardware supplied.
- To avoid possible electrical shock, before installing your fan, disconnect the power by turning off the circuit breakers to the outlet box and associated wall switch location. If you cannot lock the circuit breakers in the off position, securely fasten a prominent warning device, such as a tag, to the service panel.
- All wiring must be in accordance with national and local electrical codes and ANSI/NFPA 70. If you are unfamiliar with wiring, use a qualified electrician.
- To reduce the risk of personal injury, do not bend the blade attachment system when installing, balancing, or cleaning the fan. Never insert foreign objects between rotating fan blades.
- To reduce the risk of fire, electrical shock, or motor damage, do not use a solid-state speed control with this fan. Use only Hunter speed controls.

Understanding Mounting and Installer's Choice®

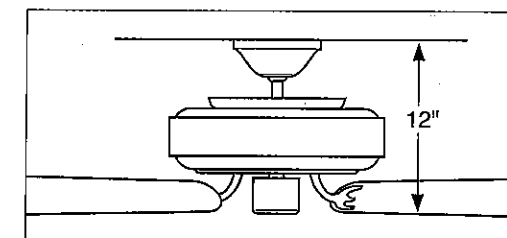
Hunter's patented 3-position mounting system provides you maximum installation flexibility and ease. You can install your Hunter fan in one of three ways, depending on ceiling height and your preference: Low Profile, Standard, or Angle mounting. The steps in this manual include instructions for all three Installer's Choice mounting methods.

Considering Optional Accessories

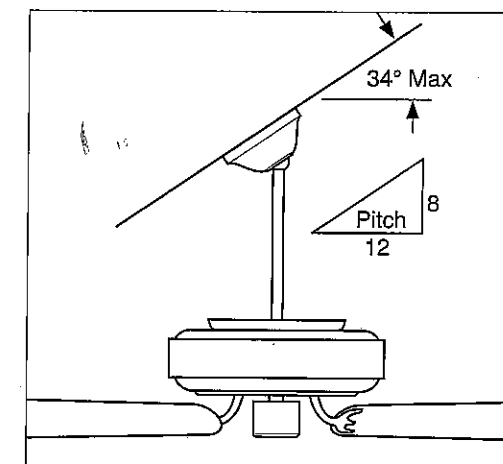
Consider using Hunter's optional accessories, including a wall-mounted or remote speed control. To install and use the accessories, follow the instructions included with each product. For quiet and optimum performance of your Hunter fan, use only Hunter speed controls.



Low Profile Mounting fits close to the ceiling, for recommended or low ceilings less than 8 feet high



Standard Mounting hangs from the ceiling by a downrod (included), recommended for ceilings 8 feet or higher



Angle Mounting recommended for a vaulted or angled ceiling

For ceilings higher than 8 feet, you can purchase Hunter extension downrods. All Hunter fans use sturdy 3/4" diameter pipe to assure stability and wobble-free performance.

To install a ceiling fan, be sure you can do the following:

- Locate the ceiling joist or other suitable support in ceiling.
- Drill holes for and install wood screws.
- Identify and connect electrical wires.
- Lift 40 pounds.

If you need help installing the fan, your Hunter fan dealer can direct you to a licensed installer or electrician.

Gathering the Tools

You will need the following tools for installing the fan:

- Electric drill with 9/64" bit
- Standard screwdriver
- Phillips-head screwdriver
- Wrench or pliers

Check Your Fan Parts

Carefully unpack your fan to avoid damage to the fan parts. Check for any shipping damage to the motor or fan blades. If one of the fan blades was damaged in shipment, return all the blades for replacement.

If any parts are missing or damaged, contact your Hunter dealer or call Hunter Parts Department at 888-830-1326.

Preparing the Fan Site

Before you begin installing the fan, follow all the instructions in the pullout sheet called "Preparing the Fan Site." Proper ceiling fan location and attachment to the building structure are essential for safety, reliable operation, maximum efficiency, and energy savings.

Installing Multiple Fans?

If you are installing more than one fan, keep the fan blades in sets, as they were shipped.

2-1. Drill two pilot holes into the wood support structure through the outermost holes in the outlet box. The pilot holes should be 9/64" in diameter.

2-2. Your fan comes with four neoprene noise isolators ("Isolators"). Position the isolators between the ceiling plate and ceiling by inserting the raised areas on each isolator into the holes in the ceiling plate.

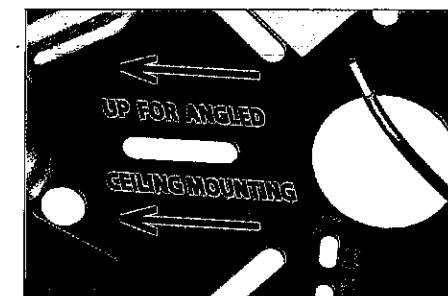
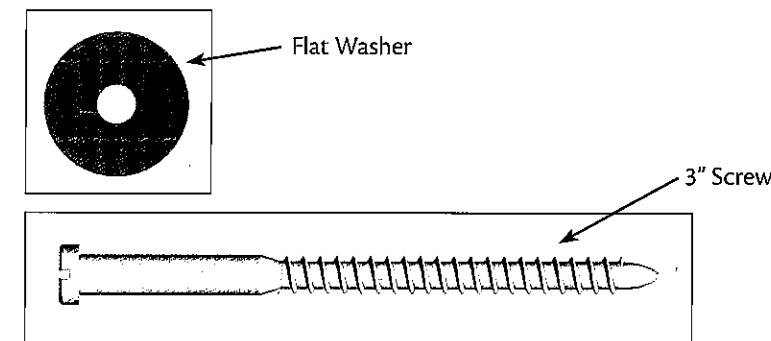
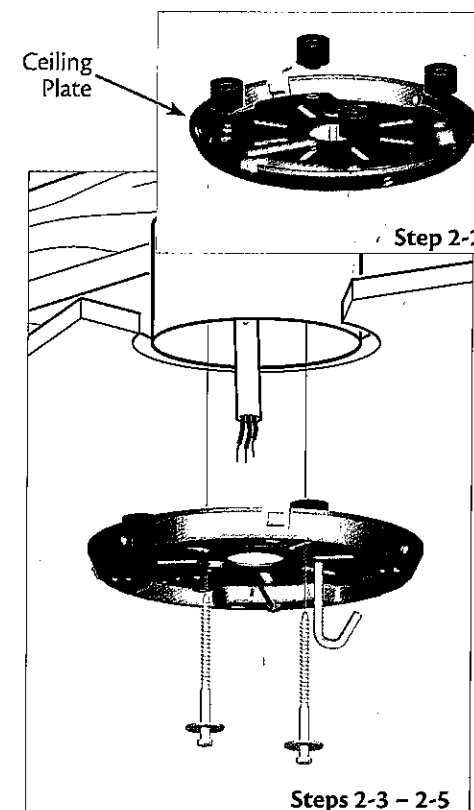
2-3. Thread the lead wires from the outlet box down through the hole in the middle of the ceiling plate.

2-4. Align the slotted holes in the ceiling plate with the pilot holes you drilled in the wood support structure. For proper alignment use slotted holes directly across from each other.

Note: The isolators should be flush against the ceiling.

2-5. Place a flat washer on each of the two 3" screws and pass the screws through the slotted holes in the ceiling plate into the pilot holes you drilled.

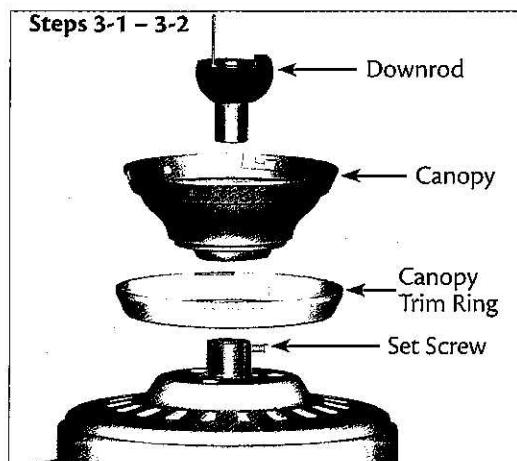
Tighten the screws into the 9/64" pilot holes; do not use lubricants on the screws. Do not over tighten.



For Angled Ceilings: Be sure to orient the ceiling plate so that the arrows printed on the ceiling plate are pointing towards the ceiling peak.

3 • Assembling the Fan

Steps 3-1 – 3-2



You can assemble your fan for standard mounting (steps 3-1 – 3-2) or for low profile mounting (steps 3-3 – 3-4).

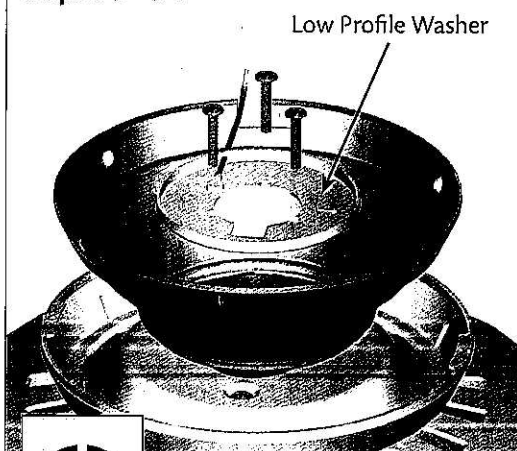
To install the remote control you will need to strip electrical wires. If you are uncomfortable doing so, seek help from a qualified electrician.

3-1. To assemble fan to hang down from a flat or angled ceiling, insert the downrod through the canopy and canopy trim ring. Feed the wires from the fan through the downrod.

3-2. Screw the downrod into the fan assembly. Tighten the set screw. Skip to Step 3-5.

CAUTION: The downrod has a special coating on the threads. Do not remove this coating; the coating prevents the downrod from unscrewing. Once assembled, do not remove the downrod.

Steps 3-3 – 3-4



3-3. To assemble the fan to hang from a low ceiling, place the low profile washer (lip up) into the canopy. Be sure the green ground wire is pointing up toward the ceiling.

Note: For low profile mounting, the downrod is replaced with the low profile washer. See Steps 3-3 – 3-4.

3-4. Align the holes in the washer with the holes in the adapter. Assemble securely with three #8-32 x 1" screws.

3-5. Make sure that the dip switches on the back of the wall control keypad assembly are set to match the jumper switches in the remote receiver and transmitter. (1 on the dip switches should match 1 on jumper switches, etc.) For instructions on how to set the jumper switches, read the box below.

Setting Jumper Switches

When two or more fans are located near each other, you may desire to have the receiver/transmitter for each fan set to a different code, so that the operation of one fan does not affect the operation of the other fans.

In the transmitter you can access the jumpers from the battery compartment. The jumpers are very small. You can move them most easily using a small pair of pliers or tweezers. **IMPORTANT!** Before you change jumper switches, make sure the battery is not connected to the transmitter.

#8-32 x 1" Screw



3-6. Install the included 12-volt battery into the transmitter.

3-7. Cut the lead wires from the fan a maximum length of 3-1/2 inches from the top of the downrod or the motor adapter (depending on the mounting method you selected.). Using wire strippers on the 22AWG setting, strip 5/16 inch from each lead wire coming from the fan.

3-8. Identify the shorter wires coming out of the remote receiver. Using the small wire nuts provided, connect the shorter receiver wires to the matching colored wires coming out of the fan. To connect the wires, hold the bare metal leads together and place a small wire nut over them, then twist clockwise until tight.

CAUTION: Be sure no bare wire or wire strands are visible after making connections.

Note that you will use the longer black wire and white wire coming from the remote receiver later when wiring to the power wires from the ceiling. You will connect all the ground wires later too.

CAUTION: The remote control device complies with part 15 of the FCC rules. Operation is subject to the following two conditions:

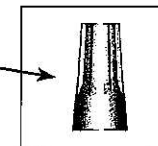
1. This device may not cause harmful interference.
2. This device must accept any interference received, including interference that may cause undesired operation.

Changes or modifications not expressly approved by Hunter Fan Company could void your authority to operate this equipment.

Note: Use with a fan that incorporates an air gap switch (normal on-off wall switch).

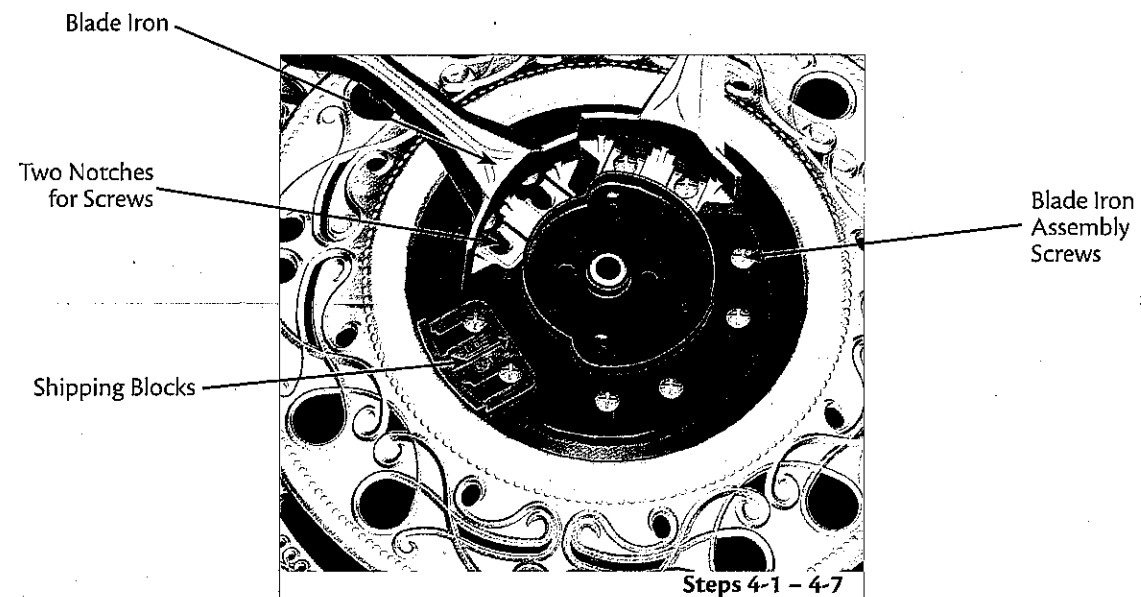
WARNING: Maximum fan load is 100 Watts; maximum lamp is 300 Watts. Do not use any speed control with this product.

Small Wire Nut



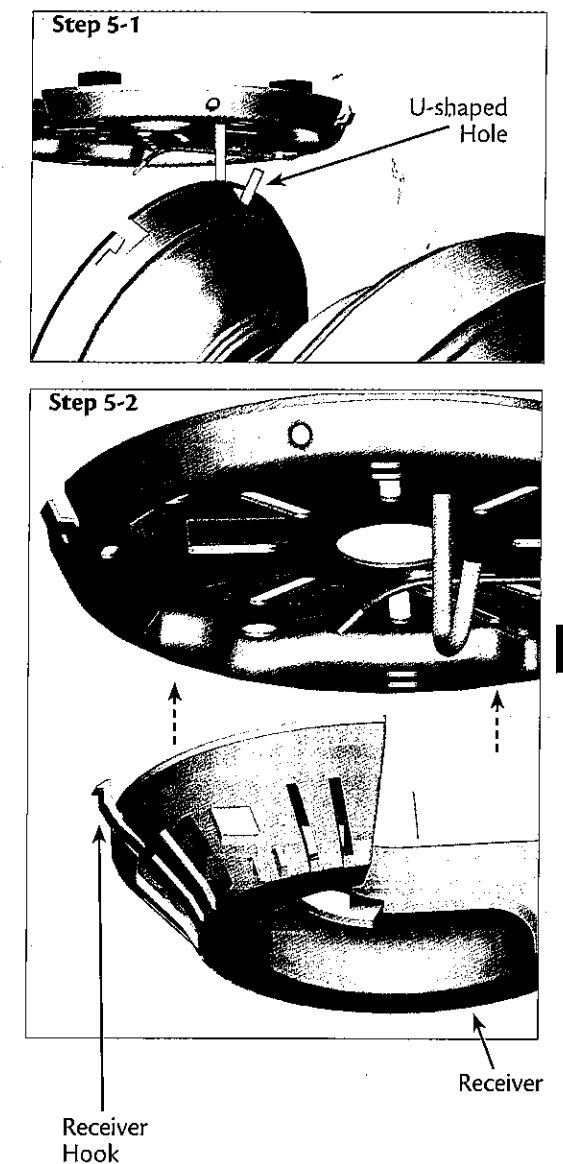
4 • Installing the Blade Irons

- 4-1. Turn the fan upside down. Use the ceiling fan package to support the fan while assembling the blade irons.
- 4-2. Loosen all of the blade iron assembly screws. Do not completely remove the screws.
- 4-3. Remove and discard all of the shipping blocks.
- 4-4. Slide the blade iron under the switch housing plate, aligning the two notches with the two blade iron assembly screws.
- 4-5. To engage the blade iron fully, pull the blade forward under the loosened blade iron assembly screws.
- 4-6. Securely tighten the blade iron assembly screws.
- 4-7. Repeat until all blade irons are assembled.

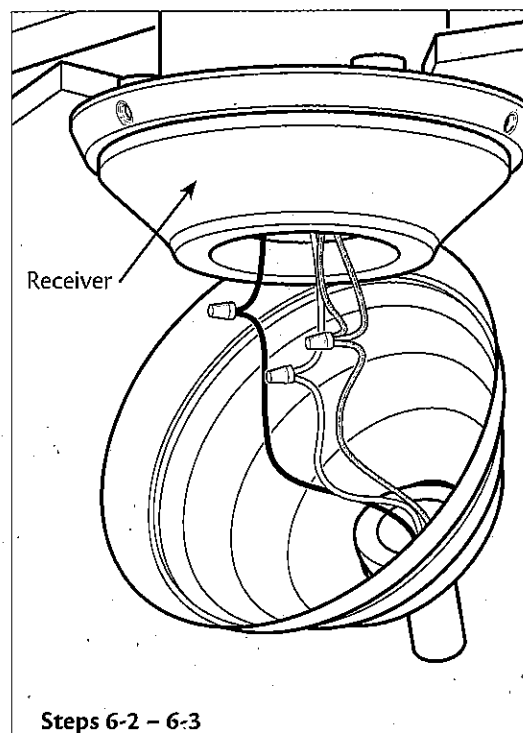


5 • Hanging the Fan

- 5-1. Raise the fan and place the hook on the ceiling plate through the U-shaped hole in the rim of the canopy.
▲ WARNING: Fan may fall if not assembled as directed in these installation instructions.
- 5-2. Align the hooks on the receiver with the appropriate slots in the ceiling plate. Also be sure the slot in the receiver and the hook in the ceiling plate line up. Snap the receiver into place on the ceiling plate.



6 • Wiring the Fan



All wiring must be in accordance with national and local electrical codes and ANSI/NFPA 70. If you are unfamiliar with wiring, use a qualified electrician.

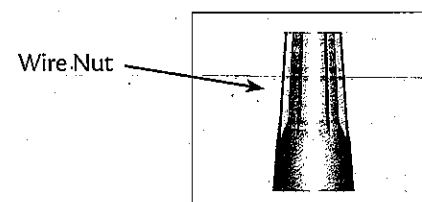
- 6-1. Disconnect the power by turning off the circuit breakers to the outlet box and associated wall switch location.
- 6-2. To connect the wires, hold the bare metal leads together and place a wire nut over them, then twist clockwise until tight. For all these connections use the larger wire nuts provided.

▲ CAUTION: Be sure no bare wire or wire strands are visible after making connections.

- 6-3. Connect the wires as follows:
 - The ground wire from the ceiling to the green ground wire from the ceiling plate and the green ground wire from the downrod or low profile washer
 - The white (common) power wire from the ceiling to the longer white wire from the receiver
 - The black power wire from the ceiling to the longer black wire from the receiver

- 6-4. Push all wires and wire nuts back through the ceiling plate hole into the outlet box.

- 6-5. Run the white antenna wire from the receiver through one of the slots in the ceiling plate so that it rests between the ceiling plate and the ceiling. Push it to the edge of the ceiling plate for clear reception.

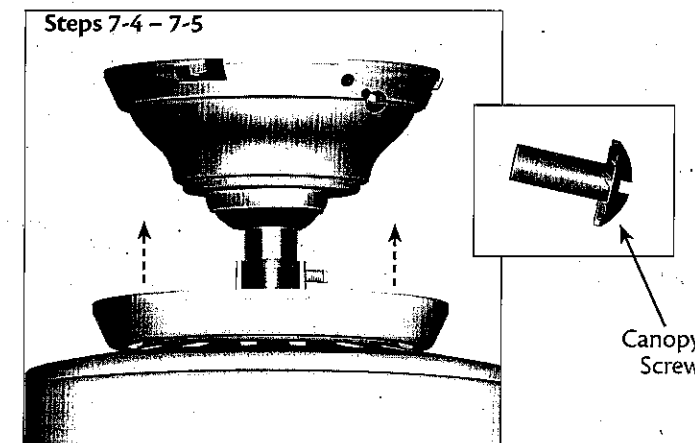
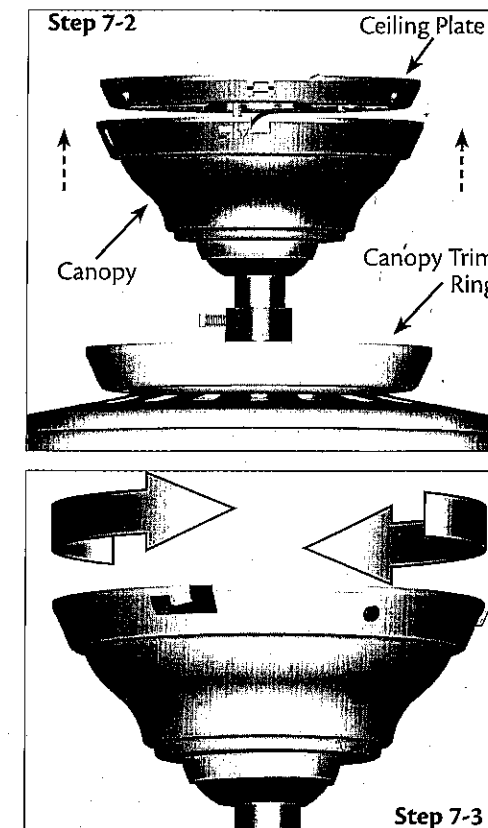


7 • Installing the Canopy and Canopy Trim Ring

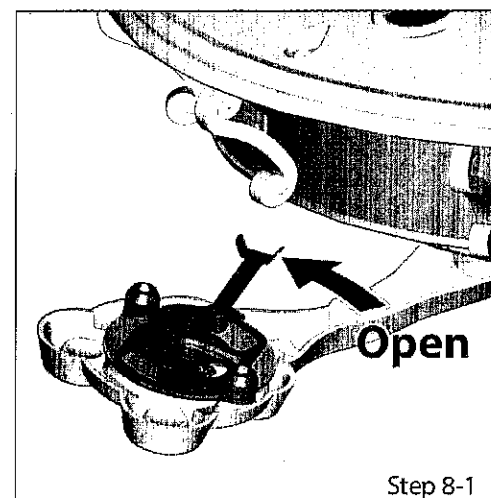
- 7-1. Holding the canopy, raise the fan off the hook.
- 7-2. Align the slots in the canopy with the tabs on the ceiling plate.
- 7-3. Raise the canopy over the ceiling plate. Rotate the canopy clockwise until the tabs on the ceiling plate totally engage with the slots in the canopy.
- 7-4. Loosely assemble the three canopy screws into the canopy one at a time. Once all three screws are in, tighten them.
- 7-5. Using both hands, push the canopy trim ring up to the top of the canopy. The canopy trim ring will snap and lock into place.

Should you need to remove the canopy trim ring, follow these steps:

1. Locate the tab indicators, small bumps on top of tabs.
2. Press firmly on opposite sides of the ring towards the canopy. The tabs will flex out releasing the trim ring from the canopy.

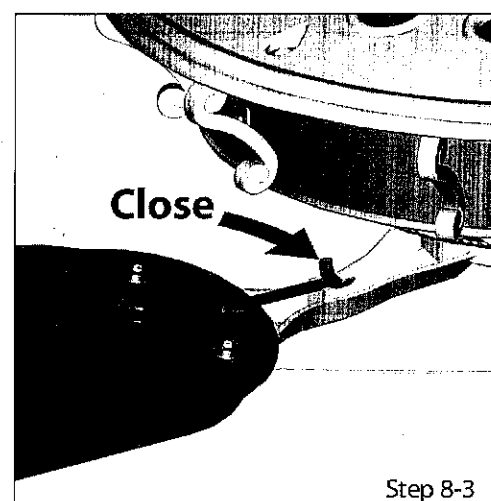


8 • Installing the Blades



Our exclusive Easy Lock™ blade assembly enables you to lock the blades in place without tools and to remove the blades easily for cleaning.

- 8-1. Open the locking mechanism.
- 8-2. Align the holes in the blade with the blade iron.
- 8-3. Close the locking mechanism securely. You will feel it lock into place.



12

9 • Installing the Light Kit

The French Quarter comes with the Easy-to-Install "Plug-in" Light Fixture. You can assemble the fan with the light kit (steps 9-1 – 9-6) or without it (steps 9-7 – 9-9).

▲ WARNING: Use only the light fixture supplied with this fan model.

Assemble fan with light kit

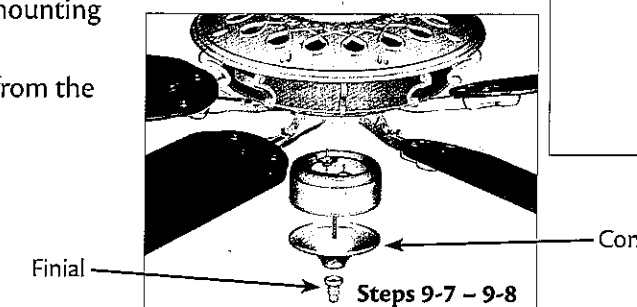
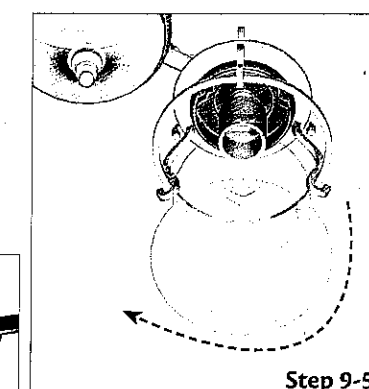
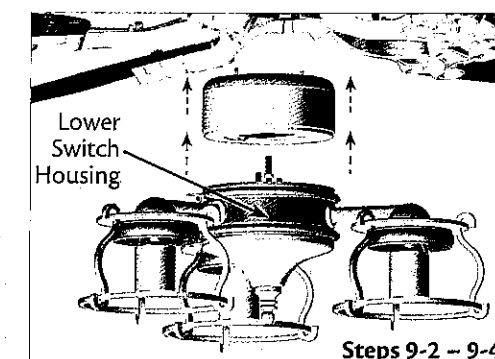
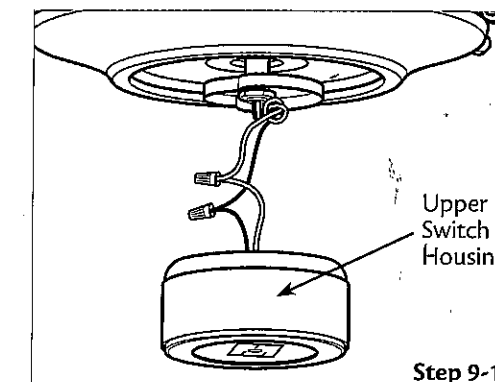
- 9-1. To wire the light kit, use a wire nut to connect the striped wire from the mounting plate with the black wire from the upper switch housing. In the same way, connect the white wire from the mounting plate with the white wire from the upper switch housing.
- 9-2. To attach the upper switch housing, thread the screws through the side holes of the mounting plate and tighten them securely.
- 9-3. To attach the lower switch housing, plug it into the upper switch housing. Thread the finial bolt through the upper housing.
- 9-4. Tighten the bolt securely.

▲ CAUTION: Make sure the light kit assembly is securely attached to the mounting plate. Failure to properly attach and tighten all three assembly screws could result in the light fixture assembly falling.

- 9-5. Insert each glass shade in a shade cup and rotate clockwise until secure.
- 9-6. Install medium base incandescent light bulbs, maximum 60 Watts.

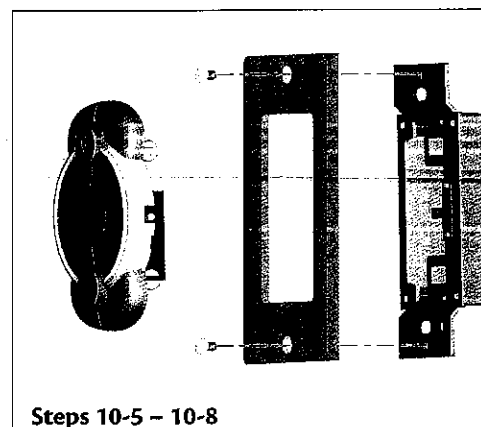
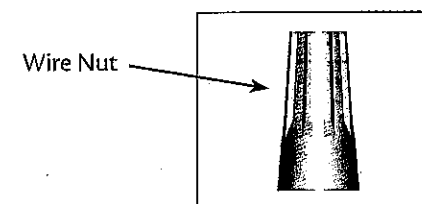
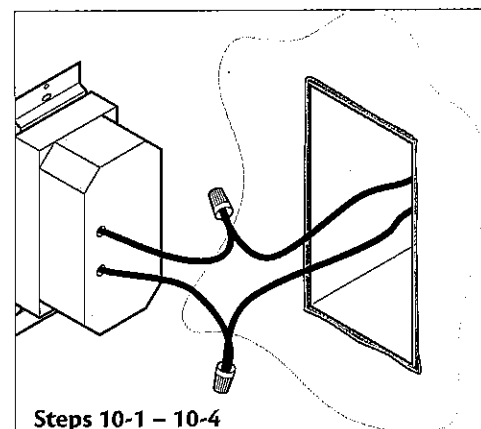
Assemble fan without light kit

- 9-7. To attach the upper switch housing, thread the screws through the side holes of the mounting plate. Make sure you tuck the white and black wires from the mounting plate into the switch housing.
- 9-8. Attach the cone and finial bolt (from the sack parts).
- 9-9. Tighten the bolt.



13

10 • Installing the Wall Control



The wall control is optional. You can install it in addition to using the remote transmitter, but you do not need to install both in order for the fan to work.

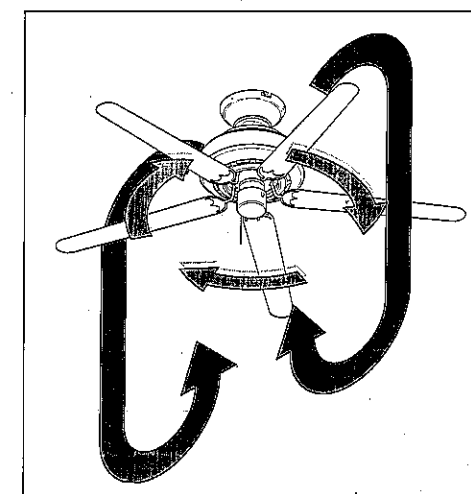
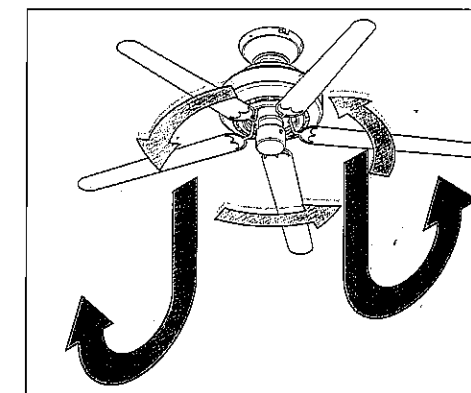
- 10-1. Turn circuit breaker to the fan wall switch OFF.
 - 10-2. Remove the wall plate and switch.
 - 10-3. With the "Up" arrow in the wall control back cover facing up, connect each of the 2 household black wires to each of the 2 black wall control wall box assembly wires with wire nuts. The order is not important.
 - 10-4. Install the wall box assembly with screws.
 - 10-5. Attach the wall plate to the control wall box assembly with screws.
- Note:** You may need a different wall plate to match your decor, or because you have a multigang switch. If so, you can purchase a Decora®-style switch plate at your local home center or hardware store. Decora® is a registered trademark of Leviton Manufacturing Corporation.
- 10-6. Make sure that the dip switches on the back of the keypad assembly are set to match the appropriate jumper switches (1 on the dip switches should match 1 on jumper switches, etc.)
 - 10-7. Install the provided 12V battery into the keypad assembly.
 - 10-8. Press and snap the keypad assembly onto the wall plate/wall box assembly.
 - 10-9. Turn the circuit breaker back on.
 - 10-10. To operate fan and light, push the on/off switch to the up position and press the desired button on the wall control keypad.

11 • Operating and Cleaning Your Ceiling Fan

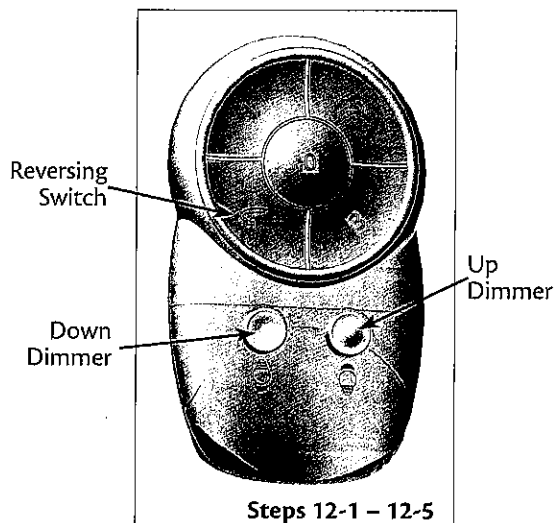
- 11-1. Turn on electrical power to the fan.
- 11-2. Ceiling fans work best by blowing air downward (counterclockwise blade rotation) in warm weather to cool the room with a direct breeze. In winter, having the fan draw air upward (clockwise blade rotation) will distribute the warmer air trapped at the ceiling around the room without causing a draft.
- 11-3. For cleaning finishes, use a soft brush or lint-free cloth to prevent scratching. A vacuum cleaner brush nozzle can remove heavier dust. Remove surface smudges or accumulated dirt and dust using a mild detergent and a slightly dampened cloth. You may use an artistic agent, but never abrasive cleaning agents, as they will damage the finish.
- 11-4. Clean wood finish blades with a furniture polishing cloth. Occasionally, apply a light coat of furniture polish for added protection and beauty. Clean painted and high-gloss blades in the same manner as the fan finish.

To Change Airflow Direction

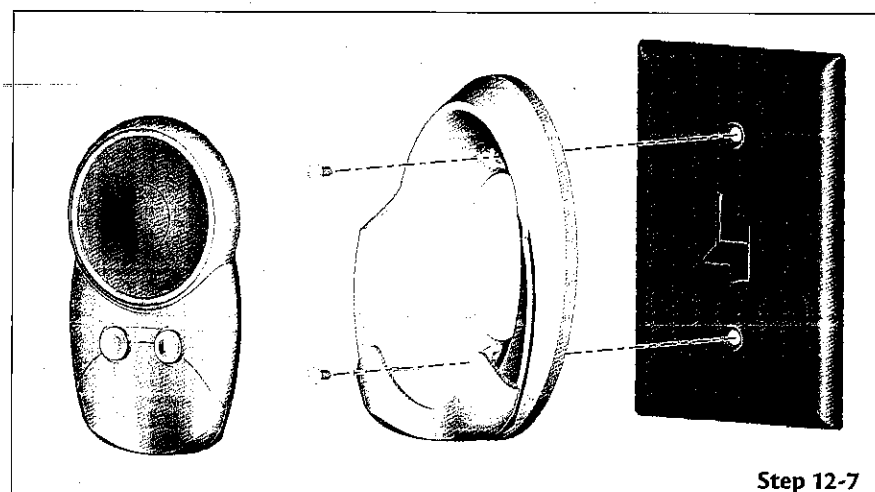
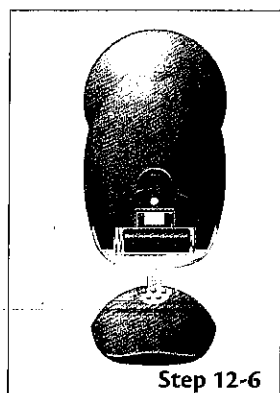
Turn the fan off and let it come to a complete stop. Press the reversing switch on the remote or wall control. Restart fan.



12 • Operating the Remote Control and Mounting the Holder



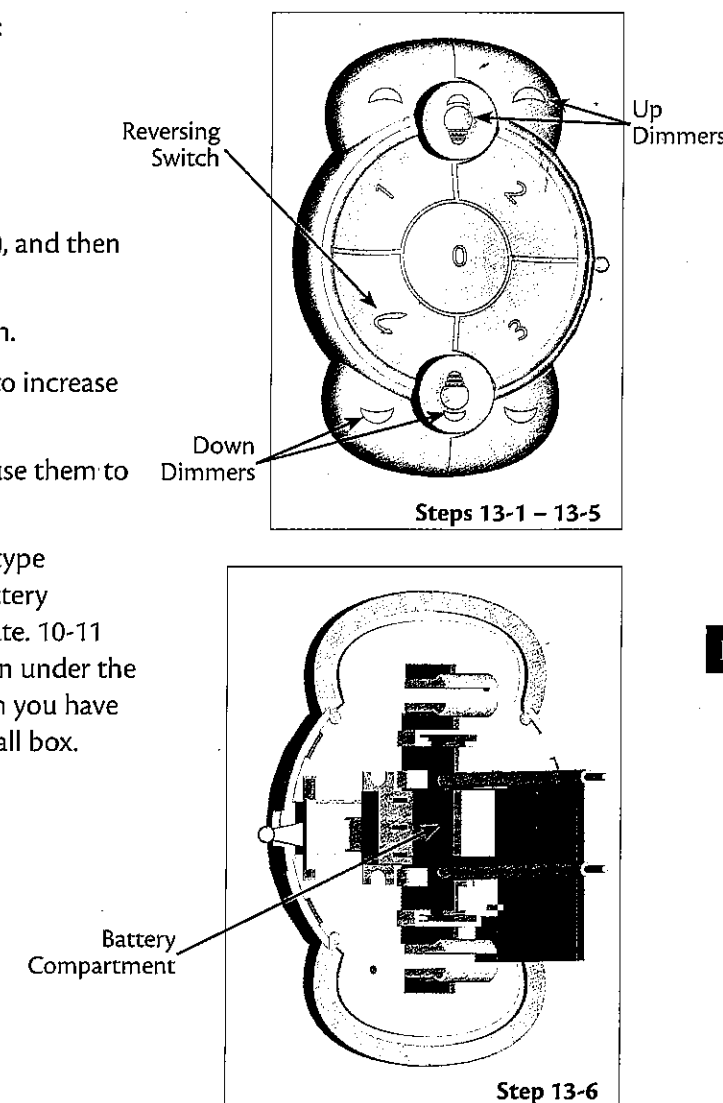
- 12-1. The remote transmitter has four numerical buttons:
- 0 = Off
 - 1 = Low speed
 - 2 = Medium speed
 - 3 = High speed
- 12-2. For best operation, start the fan by pressing 3 (high), and then select your desired speed.
- 12-3. The reversing switch reverses the direction of the fan.
- 12-4. The up dimmer turns the light on and can be used to increase the brightness if the light is already on.
- 12-5. The down dimmer turns the light off. You can also use it to dim the light.
- 12-6. When necessary, replace the battery with a 12-volt type 23A, MN-21 battery or equivalent. The battery compartment is on the back.
- 12-7. You can mount the remote holder to any toggle switch plate with the screws already in the switch plate. Or, you can simply mount the remote holder on the wall.



13 • Operating the Wall Control

- 13-1. The remote transmitter has four numerical buttons:
- 0 = Off
 - 1 = Low speed
 - 2 = Medium speed
 - 3 = High speed

- 13-2. For best operation, start the fan by pressing 3 (high), and then select your desired speed.
- 13-3. The reversing switch reverses the direction of the fan.
- 13-4. The up dimmers turn the light on and can be used to increase the brightness if the light is already on.
- 13-5. The down dimmers turn the light off. You can also use them to dim the light.
- 13-6. When necessary, replace the battery with a 12-volt type 23A, MN-21 battery or equivalent. To access the battery compartment, snap the front part off of the wall plate. 10-11 (You can use a screwdriver and the small indentation under the on/off switch to pry off the keypad assembly.) When you have finished, press the keypad assembly back into the wall box.



Problem: Nothing happens; fan does not move.

1. Turn power on, replace fuse, or reset breaker.
2. Loosen canopy, check all connections according to the wiring the fan section.
3. Check the plug connection in the switch housing.
4. Push motor reversing switch firmly up or down to ensure that the switch is engaged.
5. Pull the pull chain to ensure it is on.
6. Remove the shipping bumpers.

Problem: Noisy operation.

1. Tighten the blade bracket screws until snug.
2. Tighten the blade screws until snug.
3. Check to see if the blade is cracked. If so, replace all the blades.
4. Change to an approved speed control.
5. Be sure that the glass is secure.
6. Check and tighten the screws in the switch housing mounting plate and in the upper and lower switch housing.

Problem: Excessive wobbling.

1. If your fan wobbles when operating, use the enclosed balancing kit and instructions to balance the fan.
2. Tighten all blade and/or blade iron screws.
3. Turn power off, support fan very carefully, and check that the hanger ball is properly seated.

If you need parts or service assistance, please call 888-830-1326 or visit us at our WEB site at <http://www.hunterfan.com>.

Hunter Fan Company
2500 Frisco Avenue
Memphis, Tennessee 38114

Problema: No sucede nada; el ventilador no se mueve.

1. Encienda la alimentación eléctrica, reemplace el fusible o restablezca el interruptor automático.
2. Afloje la campana y verifique todas las conexiones de acuerdo con la sección Cableado del ventilador.
3. Verifique las conexiones en la caja del interruptor.
4. Empuje el interruptor de inversión del motor firmemente hacia arriba o abajo para asegurar que el interruptor esté conectado.
5. Tire la cadena para asegurar que está encendido.
6. Retire los toques protectores de embalaje.

Problema: Operación ruidosa.

1. Apriete los tornillos del soporte de la paleta hasta que estén ajustados.
2. Apriete los tornillos de la paleta hasta que estén ajustados.
3. Verifique que la paleta no esté agrietada. Si fuera así, reemplace todas las paletas.
4. Cambie a un control de velocidad aprobado.
5. Asegúrese que la pantalla esté firme.
6. Verifique y apriete los tornillos en la placa de montaje de la caja del interruptor y en la parte superior e inferior de la misma.

Problema: Excesivo bamboleo.

1. Si su ventilador se bambolea durante la operación, use el kit de equilibrio incluido y las instrucciones para equilibrar el ventilador.
2. Apriete todas las paletas y/o los tornillos de soporte de las paletas.
3. Apague la alimentación eléctrica, apoye el ventilador muy cuidadosamente, y verifique que la bola de suspensión esté asentada correctamente.

Si necesita repuestos o servicio, llame al 888-830-1326 o visite nuestro sitio web en <http://www.hunterfan.com>.
Hunter Fan Company
2500 Frisco Avenue
Memphis, Tennessee 38114