

RF Maximum Permissible Exposure Measurement Report

of

E.U.T. : AP-2000 5GHz ORiNOCO
CardBus NIC

FCC ID. : IMRWLPCE508A

MODEL : PC50E-8-FC/A

for

APPLICANT : Agere Systems Nederland B.V.

ADDRESS : Zadelstede 1-10 3431JZ Nieuwegein, The Netherlands

Test Performed by

ELECTRONICS TESTING CENTER, TAIWAN
NO. 34, LIN 5, DING FU TSUN, LINKOU HSIANG,
TAIPEI HSIE, TAIWAN, R.O.C.

Tel:(02)26023052, 26023054

Fax:(02)26010910

Report Number : ET91R-07-079-01

TEST REPORT CERTIFICATION

Applicant : Agere Systems Nederland B.V.
Zadelstede 1-10 3431JZ Nieuwegein, The Netherlands

Manufacturer : Accton Technology Corporation
No. 1, Creation Rd. III, Science-Based Industrial Park, Hsinchu,
Taiwan, R.O.C.

Description of EUT :

a) Type of EUT : AP-2000 5GHz ORiNOCO CardBus NIC
b) Trade Name : ORiNOCO
c) Model No. : PC50E-8-FC/A
d) Power Supply : DC 3.3V from Notebook PC

Regulation Applied : IEEE C95.1-1991, FCC 47 CFR Part 1 and Part 2

I HEREBY CERTIFY THAT: The data shown in this report were made in accordance with the procedures given in IEEE C95.1, and the energy emitted by the device was founded to be within the limits applicable. I assume full responsibility for accuracy and completeness of these data.

Note: 1. The result of the testing report relates only to the item tested.
2. The testing report shall not be reproduced expect in full, without the written approval of ETC.

Issued Date : Jul. 30, 2002

Test Engineer : S. S. Liou
(S. S. Liou)

Approve & Authorized Signer : Will Yauo
Will Yauo, Manager
EMC Detp. II of ELECTRONICS
TESTING CENTER, TAIWAN

Table of Contents	Page
1 GENERAL INFORMATION.....	1
1.1 Product Description.....	1
1.2 Characteristics of Device	1
1.3 Test Methodology.....	1
1.4 Test Facility.....	1
2 PROVISIONS APPLICABLE.....	2
2.1 Definition.....	2
2.2 Relative Requirement for Compliance	2
3. SYSTEM TEST CONFIGURATION.....	3
3.1 Justification.....	3
3.2 Devices for Tested System	3
4 MAXIMUM PERMISSIBLE EXPOSURE MEASUREMENTS.....	4
4.1 Applicable Standard	4
4.2 Measurement Procedure.....	4
4.3 Measurement Instrument.....	5
4.4 Power Density Data.....	5
4.5 Measurement Setup Photos	9

1 GENERAL INFORMATION

1.1 Product Description

- a) Type of EUT : AP-2000 5GHz ORiNOCO CardBus NIC
- b) Trade Name : ORiNOCO
- c) Model No. : PC50E-8-FC/A
- d) Power Supply : DC 3.3V from Notebook PC

1.2 Characteristics of Device

- a) Data Rate : 6, 9, 12, 18, 24, 36, 48, 54 Mbps
- b) Operation Frequency : 5.15 ~ 5.35 GHz
- c) Rated Output Power : 14 dBm (max.) for 5.15 ~ 5.25 GHz band
16.5 dBm (max.) for 5.25 ~ 5.35 GHz band

1.3 Test Methodology

The Maximum Permissible Exposure (MPE) was performed according to the procedures illustrated in IEEE C95.1-1991.

1.4 Test Facility

The open area test site and conducted measurement facility used to collect the radiated data is located on the roof top of Building at No.34, Lin 5, Ding Fu Tsun, Linkou Hsiang, Taipei Hsien, Taiwan, R.O.C.

This site has been fully described in a report submitted to the FCC, and accepted in a letter dated Feb. 10, 2000.

2 PROVISIONS APPLICABLE

2.1 Definition

MPE in Occupational / Controlled Environments:

Persons are exposed as a consequence of their employment provided those persons are fully aware of the potential for exposure and can exercise control over their exposure. Also apply to a individual is transient through a location where occupational / controlled limits apply provided he or she is made aware of the potatial for exposure.

MPE in General Population / Uncontrolled Environments:

General population / Uncontrlled exposure apply in situation in which the general public may be exposed, or in which persons that are exposed as a consequence of their employment may not be fully aware of the potatial for exposure or cannot execise control over their exposure.

2.2 Relative Requirement for Compliance

(1) MPE for Controlled Enviroments

According to section 1.1310 of FCC 47 CFR Part 1, MPE Limits for controlled enviroment are as following:

Frequency Range (MHz)	Electric Field Strength (V/m)	Magnetic Field Strength (A/m)	Power Density (mW/cm ²)	Averaging Time (minutes)
0.3-3.0	614	1.63	*100	6
3-30	1842/f	4.89/f	*900/f ²	6
30-300	61.4	0.163	1.0	6
300-1500	-----	-----	f/300	6
1500-100,000	-----	-----	5.0	6

(2) MPE for Uncontrolled Enviroments

According to section 1.1310 of FCC 47 CFR Part 1, MPE Limits for uncontrolled enviroment are as following:

Frequency Range (MHz)	Electric Field Strength (V/m)	Magnetic Field Strength (A/m)	Power Density (mW/cm ²)	Averaging Time (minutes)
0.3-3.0	614	1.63	*100	30
3-30	1842/f	4.89/f	*180/f ²	30
30-300	27.5	0.073	0.2	30
300-1500	-----	-----	f/1500	30
1500-100,000	-----	-----	1.0	30

f = frequency in MHz

* = Plane-wave equivalent power desity

3. SYSTEM TEST CONFIGURATION

3.1 Justification

The system was configured for testing in a typical fashion, as a customer would normally use it. The MPE measurement was performed under the setting of maximum RF transmitting power and maximum transmission data rate of 11 Mbps. And measured on lowest, middle, and highest frequencies to demonstrate the whole used band is complied with the requirement. Further, measurement was made on every possible azimuth around the transmitting structure. Therefore, we can make sure that the MPE testing was performed under the worst case.

3.2 Devices for Tested System

Device	Manufacture	Model	Cable Description
AP-2000 5GHz ORiNOCO CardBus NIC *	Agere Systems Nederland B.V.	PC50E-8-FC/A	2.0m Unshielded AC Adaptor Power Cord 2.0m Unshielded RJ-11 Cable
Notebook PC	Tatung Co.	TN-5900	2.5m Unshielded AC Adaptor Power Cord

Remark “*” means device under test.

4 Maximum Permissible Exposure Measurements

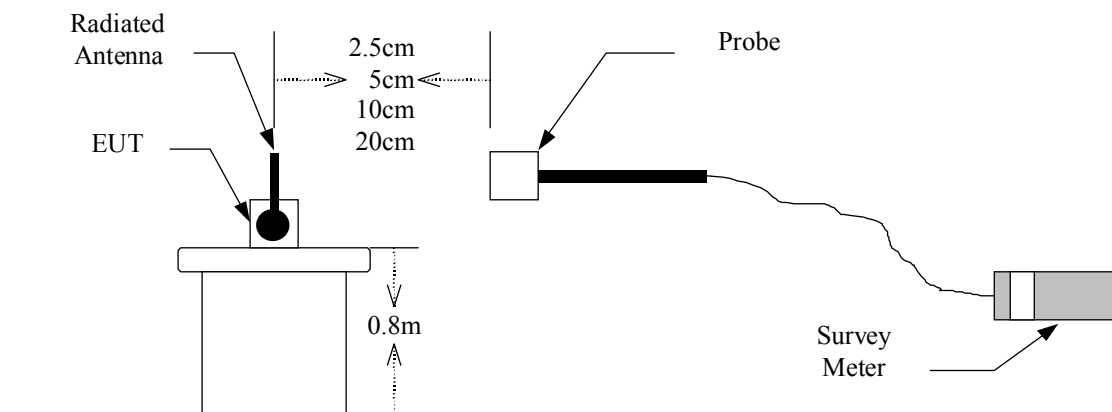
4.1 Applicable Standard

For this intentional radiator is used with any possible people, therefore the **Uncontrolled Environment Condition** is applied. And the MPE requirement is as described in section 2.2 of this test report.

4.2 Measurement Procedure

- (1) Set up the device under test (DUT) as its normal using configuration. Please see figure 1.
- (2) Calibrate the probe system so that the meter displays zero, and then power on the DUT.
- (3) Scan the antenna of DUT with a proper spacer of 2.5 cm in vertical axis and keep vertical scanning around the antenna, and pick up the maximum data with Max. Hold function.
- (4) Repeat step (3) by changing the spacer to 5 cm, 10 cm and then 20 cm till the field from DUT is too weak to be measured.
- (5) Record the maximum value appeared.

Figure 1: Measurement configuration



4.3 Measurement Instrument

The following instrument are used for radiated emissions measurement :

Equipment	Manufacturer	Model No.	Next Cal. Due
Survey Meter	Narda	8712	Jan. 30, 2003
Probe	Narda	8721D	Jan. 30, 2003

4.4 Power Density Data

A. 5.18GHz

Operation Mode : 6 Mbps Data Transmitting Rate

Transmitting Frequency : 5180 MHz

Rated Maximum Output Power : 14 dBm

Test Date : Jul. 29, 2002 Temperature : 25 °C Humidity : 70%

Measured @ 2.5cm mW/cm ²	Measured @ 5cm mW/cm ²	Measured @ 10cm mW/cm ²	Measured @ 15cm mW/cm ²	Measured @ 20cm mW/cm ²	Probe Factor	Maximum Result @2.5cm mW/ cm ²	MPE Limt mW/cm ²
0.467	0.320	0.158	0.164	0.145	0.82	0.383	1.0

Note:

1. Remark “---” means that the emission level is too low to be measured (the precise accuracy of the measurement system is 0.01 mW/ cm²).
2. Value 0.82 is a corrected factor of measurement system.
3. Result = Value Measured X Corrected Factor.
4. The measurement was performed under the condition of fixed the emission frequency to get the most extreme MPE.

B. 5.22 GHz

Operation Mode : 6 Mbps Data Transmitting Rate

Transmitting Frequency : 5220 MHz

Rated Maximum Output Power : 14 dBm

Test Date : Jul. 29, 2002

Temperature : 25 °C

Humidity : 70%

Measured @ 2.5cm mW/cm ²	Measured @ 5cm mW/cm ²	Measured @ 10cm mW/cm ²	Measured @ 15cm mW/cm ²	Measured @ 20cm mW/cm ²	Probe Factor	Maximum Result @2.5cm mW/ cm ²	MPE Limt mW/cm ²
0.455	0.308	0.166	0.163	0.153	0.82	0.373	1.0

C. 5.24 GHz

Operation Mode : 6 Mbps Data Transmitting Rate

Transmitting Frequency : 5240 MHz

Rated Maximum Output Power : 14 dBm

Test Date : Jul. 29, 2002

Temperature : 25 °C

Humidity : 70%

Measured @ 2.5cm mW/cm ²	Measured @ 5cm mW/cm ²	Measured @ 10cm mW/cm ²	Measured @ 15cm mW/cm ²	Measured @ 20cm mW/cm ²	Probe Factor	Maximum Result @2.5cm mW/ cm ²	MPE Limt mW/cm ²
0.450	0.312	0.162	0.162	0.150	0.82	0.369	1.0

Note :

1. Remark “---” means that the emission level is too low to be measured (the precise accuracy of the measurement system is 0.01 mW/ cm²).
2. Value 0.82 is a corrected factor of measurement system.
3. Result = Value Measured X Corrected Factor.
4. The measurement was performed under the condition of fixed the emission frequency to get the most extreme MPE.

D. 5.26 GHz

Operation Mode : 6 Mbps Data Transmitting Rate

Transmitting Frequency : 5260 MHz

Rated Maximum Output Power : 16.5 dBm

Test Date : Jul. 29, 2002

Temperature : 25 °C

Humidity : 70%

Measured @ 2.5cm mW/cm ²	Measured @ 5cm mW/cm ²	Measured @ 10cm mW/cm ²	Measured @ 15cm mW/cm ²	Measured @ 20cm mW/cm ²	Probe Factor	Maximum Result @2.5cm mW/ cm ²	MPE Limt mW/cm ²
0.695	0.455	0.370	0.255	0.190	0.82	0.570	1.0

E. 5.30 GHz

Operation Mode : 6 Mbps Data Transmitting Rate

Transmitting Frequency : 5300 MHz

Rated Maximum Output Power : 16.5 dBm

Test Date : Jul. 29, 2002

Temperature : 25 °C

Humidity : 70%

Measured @ 2.5cm mW/cm ²	Measured @ 5cm mW/cm ²	Measured @ 10cm mW/cm ²	Measured @ 15cm mW/cm ²	Measured @ 20cm mW/cm ²	Probe Factor	Maximum Result @2.5cm mW/ cm ²	MPE Limt mW/cm ²
0.725	0.460	0.368	0.258	0.178	0.82	0.595	1.0

Note :

1. Remark “---” means that the emission level is too low to be measured (the precise accuracy of the measurement system is 0.01 mW/ cm²).
2. Value 0.82 is a corrected factor of measurement system.
3. Result = Value Measured X Corrected Factor.
4. The measurement was performed under the condition of fixed the emission frequency to get the most extreme MPE.

F. 5.32 GHz

Operation Mode : 6 Mbps Data Transmitting Rate

Transmitting Frequency : 5320 MHz

Rated Maximum Output Power : 16.5 dBm

Test Date : Jul. 29, 2002

Temperature : 25 °C

Humidity : 70%

Measured @ 2.5cm mW/cm ²	Measured @ 5cm mW/cm ²	Measured @ 10cm mW/cm ²	Measured @ 15cm mW/cm ²	Measured @ 20cm mW/cm ²	Probe Factor	Maximum Result @2.5cm mW/ cm ²	MPE Limt mW/cm ²
0.700	0.462	0.362	0.262	0.187	0.82	0.574	1.0

Note :

1. Remark “---” means that the emission level is too low to be measured (the precise accuracy of the measurement system is 0.01 mW/ cm²).
2. Value 0.82 is a corrected factor of measurement system.
3. Result = Value Measured X Corrected Factor.
4. The measurement was performed under the condition of fixed the emission frequency to get the most extreme MPE.

4.5 Measurement Setup Photos

Please see Setup Photos in Exhibit F.