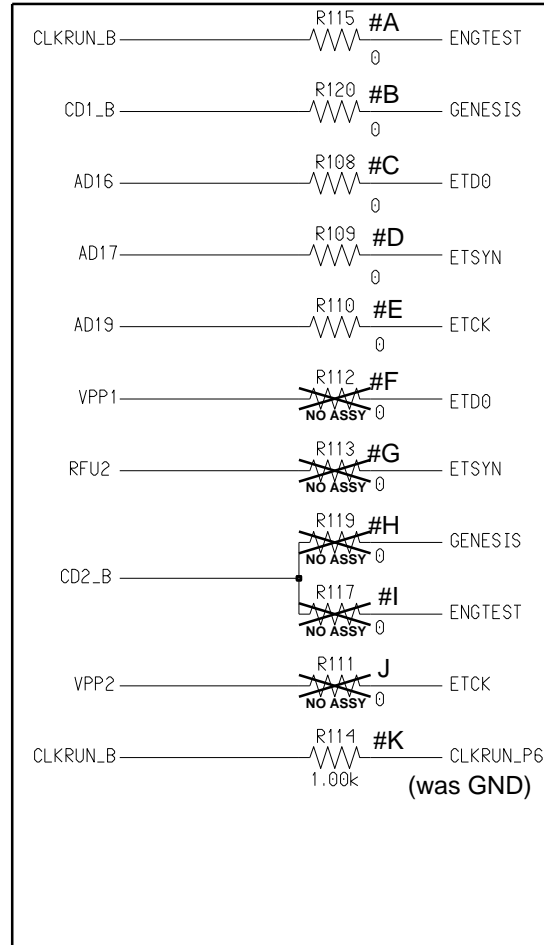
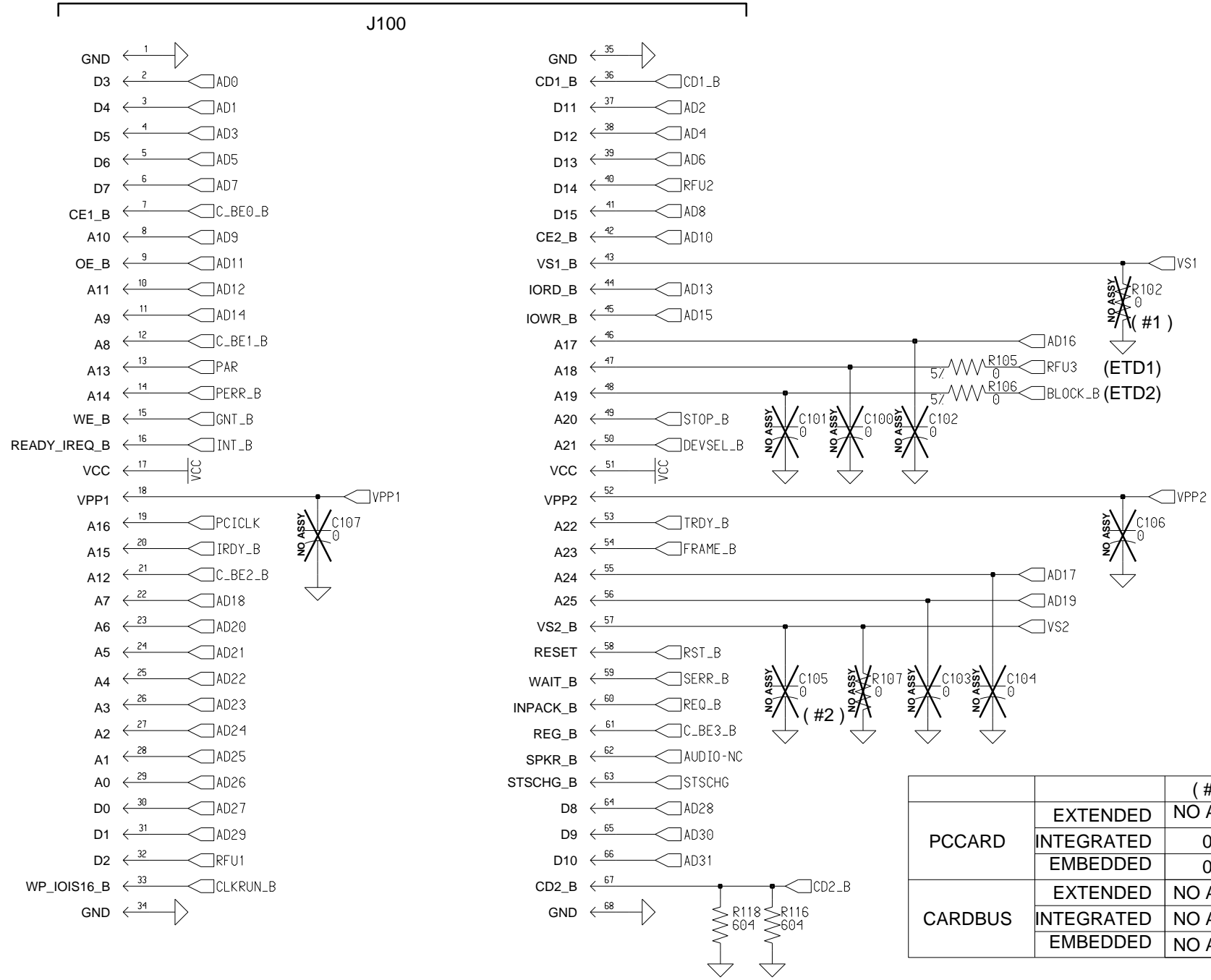


CARDBUS / PCCARD FTS STRAPS



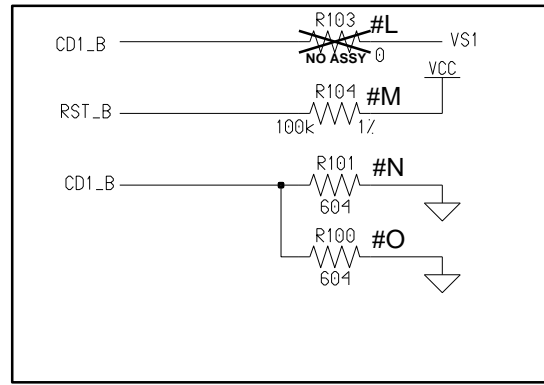
	PC CARD	CARDBUS
#A	0E	NO ASSY
#B	0E	NO ASSY
#C	0E	NO ASSY
#D	0E	NO ASSY
#E	0E	NO ASSY
#F	NO ASSY	0E
#G	NO ASSY	0E
#H	NO ASSY	0E
#I	NO ASSY	0E
#J	NO ASSY	0E
#K	1K	0E
#L	NO ASSY	0E
#M	100K	NO ASSY
#N	604	NO ASSY
#O	604	NO ASSY

PC / CARDBUS CONNECTOR



		(#1)	(#2)
PCCARD	EXTENDED	NO ASSY	NO ASSY
	INTEGRATED	0E	NO ASSY
	EMBEDDED	0E	NO ASSY
CARDBUS	EXTENDED	NO ASSY	NO ASSY
	INTEGRATED	NO ASSY	NO ASSY
	EMBEDDED	NO ASSY	NO ASSY

CARDBUS / PCCARD ASSEMBLY



**REV A**

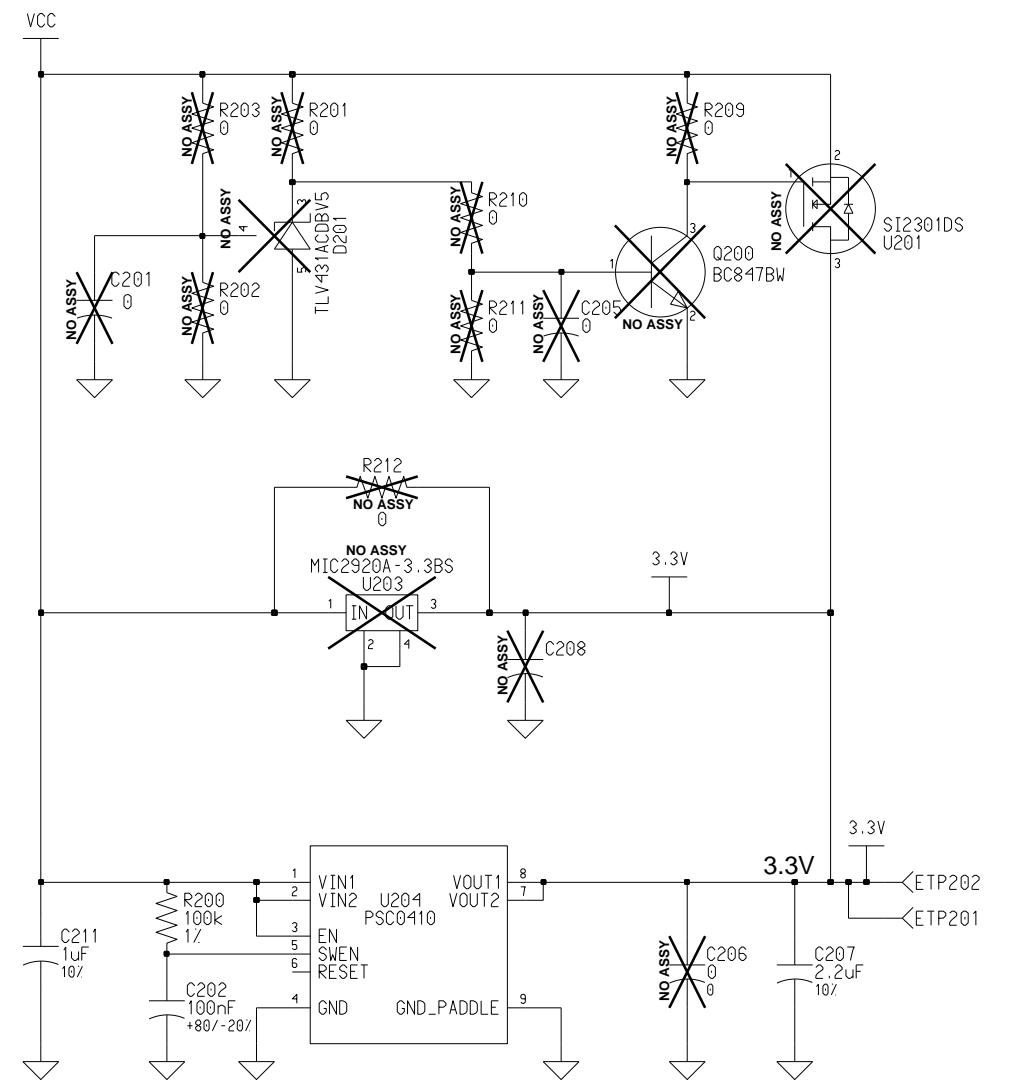
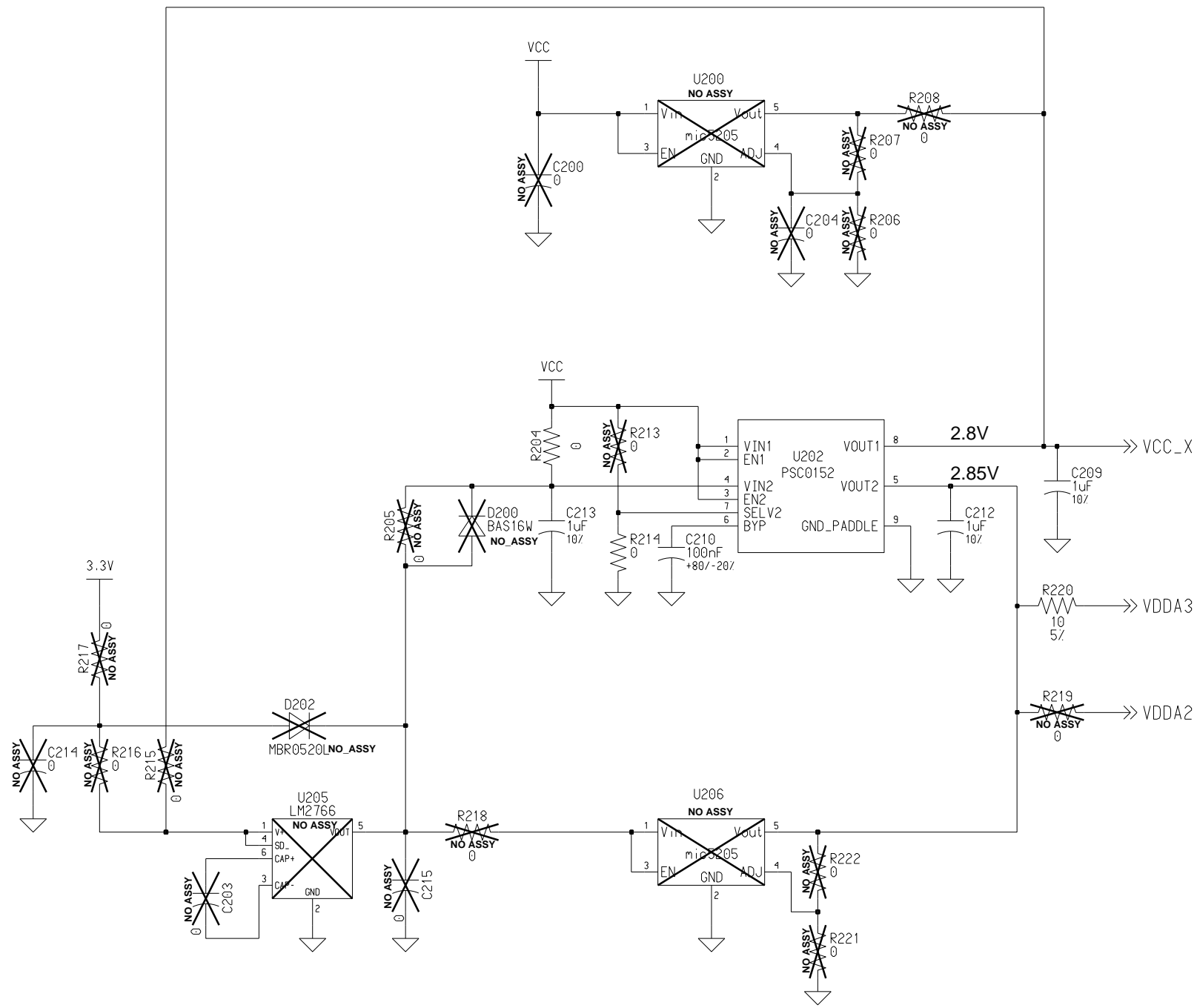
The content of this document is Agere Systems Intellectual Property and is the property of Agere Systems. It is to be treated as STRICTLY CONFIDENTIAL and is NOT TO BE DISCLOSED, REPRODUCED, OR USED except as authorized in writing by Agere Systems in connection with the manufacture, maintenance and use of the Agere systems equipment to which it pertains.  
COPYRIGHT © 2002. Agere Systems.

**8u402\_1**

**Agere System Nederland B.V.**  
NIEUWEGEIN, THE NETHERLANDS

START: -	FINISH: -	UNIT: PC Card type 2 16 bit 3V/5V/ RUBY EXTENDED SA
DFTS: -	CHKR: -	NAME: Host Interface
DESIGNER: Jeroen Sturkenboom	DATE: Wednesday, August 28, 2002 10:20:28 am	
APPD: -	APPD: -	SHEET: 1 OF 7
SUPSD: -	SCALE: -	<b>023783</b>
SUPERSEDES: -	CODE: -	

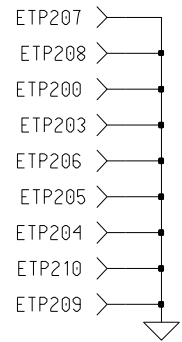
1



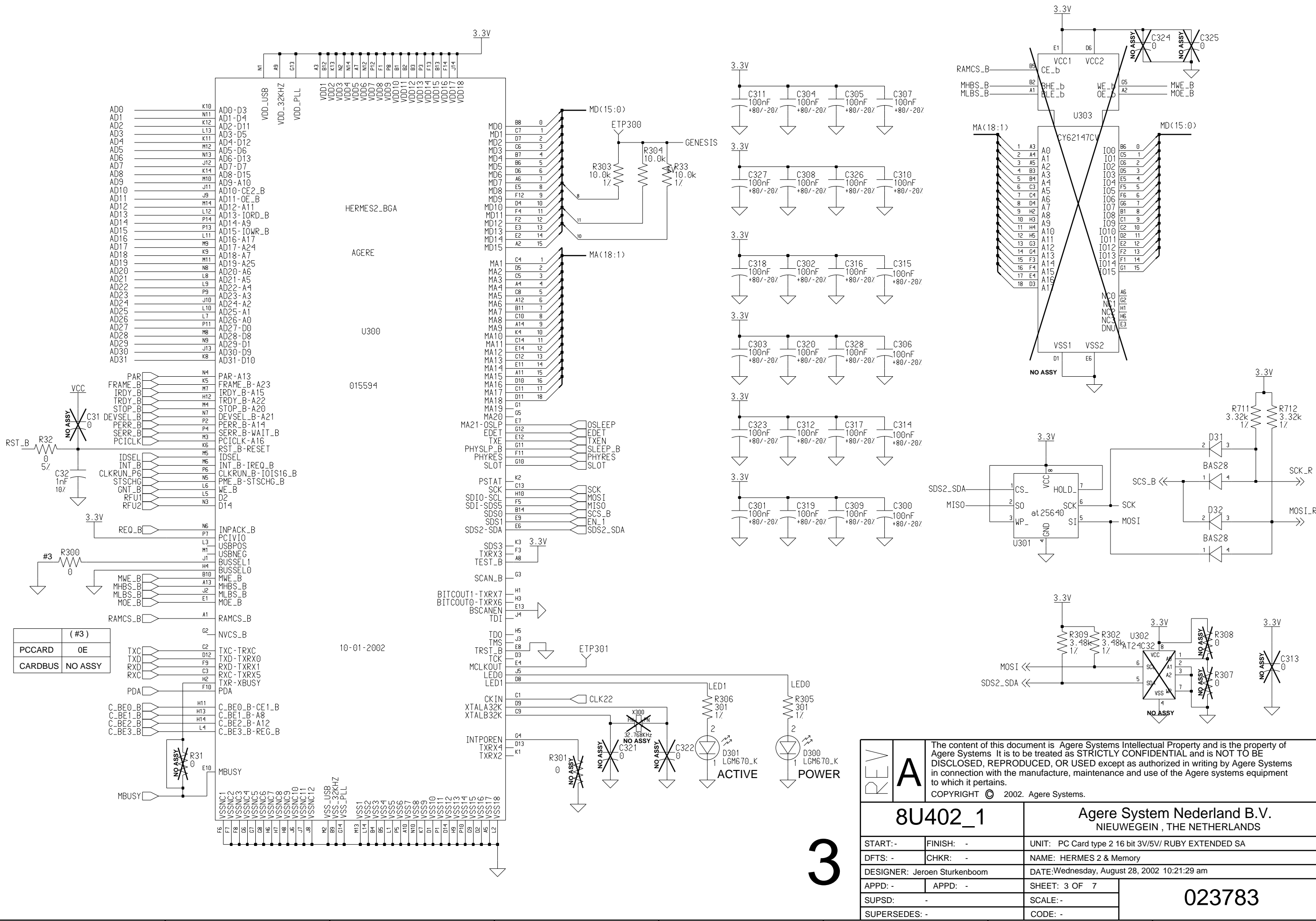
3.3V / 5V		
	through 3.3V	through 2.8V
C214	100nF	NO ASSY
R217	22 Ohm	22 Ohm
R216	0 Ohm	NO ASSY
R215	NO ASSY	10 Ohm
R205	NO ASSY	0 Ohm
D200	BAS16W	NO ASSY

SELECT VOLTAGE VOUT 2 U26		
	3.3V	2.8V
R214	NO ASSY	0 Ohm
R213	0 Ohm	NO ASSY

COMMON GND



REV	A	The content of this document is Agere Systems Intellectual Property and is the property of Agere Systems. It is to be treated as STRICTLY CONFIDENTIAL and is NOT TO BE DISCLOSED, REPRODUCED, OR USED except as authorized in writing by Agere Systems in connection with the manufacture, maintenance and use of the Agere systems equipment to which it pertains. COPYRIGHT © 2002. Agere Systems.	
		8u402_1	
Agere System Nederland B.V. NIEUWEGEIN, THE NETHERLANDS		UNIT: PC Card type 2 16 bit 3V/5V/ RUBY EXTENDED SA	
START: -	FINISH: -	NAME: Power Supply	
DFTS: -	CHKR: -	DATE: Wednesday, August 28, 2002 10:20:38 am	
DESIGNER: Jeroen Sturkenboom	APPD: -	SHEET: 2 OF 7	
SUPSD: -	APPD: -	SCALE: -	
SUPERSEDES: -	APPD: -	CODE: -	



	(#3)
PCCARD	OE
CARDBUS	NO ASSY

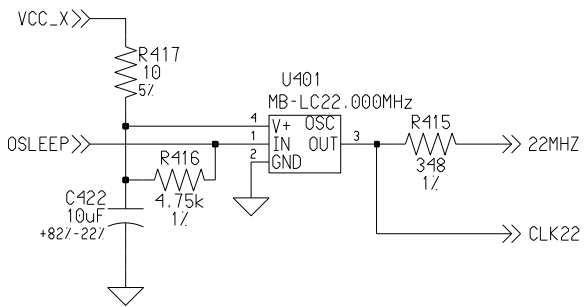
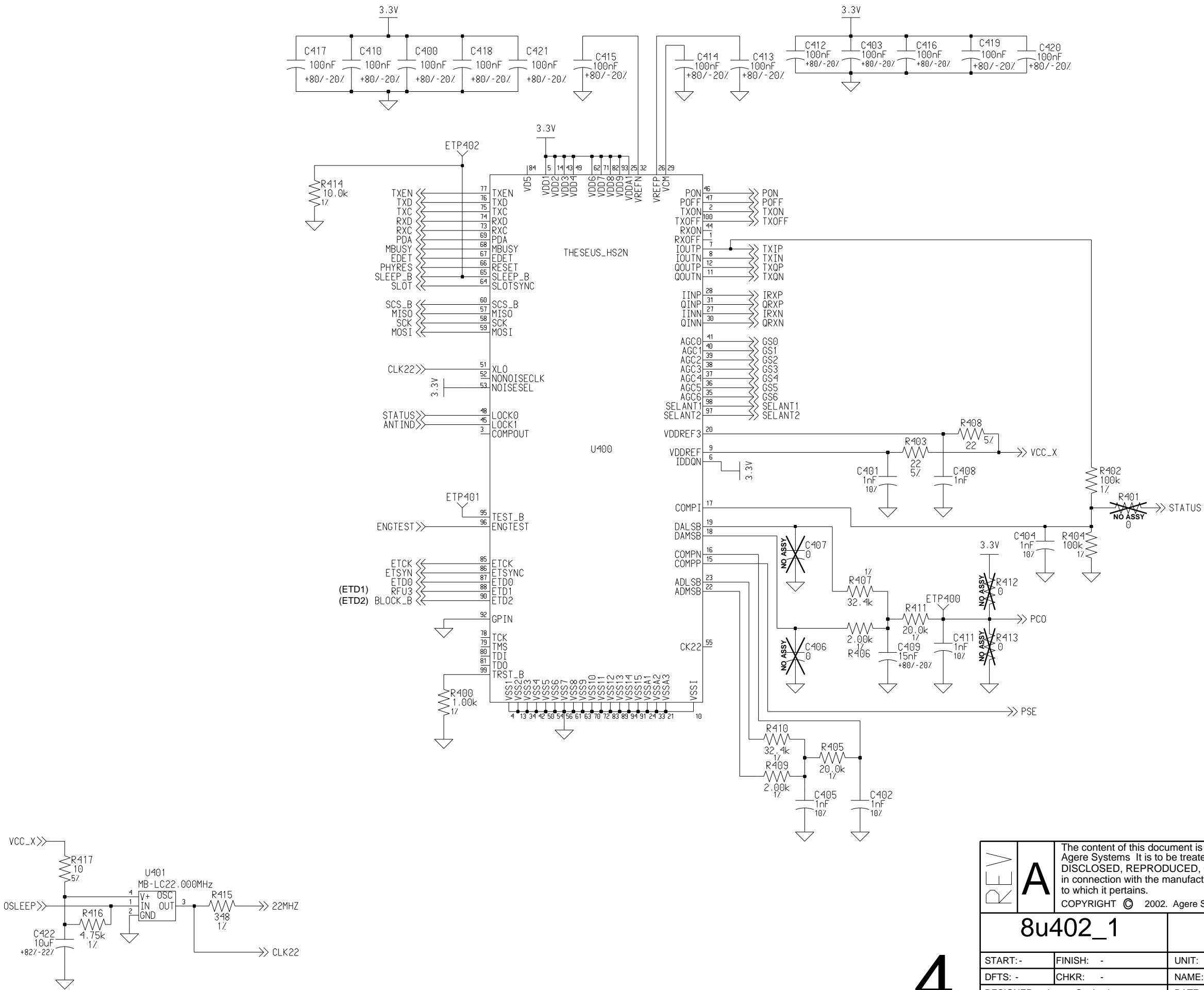
**REV A**

The content of this document is Agere Systems Intellectual Property and is the property of Agere Systems. It is to be treated as STRICTLY CONFIDENTIAL and is NOT TO BE DISCLOSED, REPRODUCED, OR USED except as authorized in writing by Agere Systems in connection with the manufacture, maintenance and use of the Agere systems equipment to which it pertains.  
 COPYRIGHT © 2002. Agere Systems.

<b>8U402_1</b>		<b>Agere System Nederland B.V.</b> NIEUWEGEIN, THE NETHERLANDS	
START: -	FINISH: -	UNIT: PC Card type 2 16 bit 3V/5V/ RUBY EXTENDED SA	
DFTS: -	CHKR: -	NAME: HERMES 2 & Memory	
DESIGNER: Jeroen Sturkenboom		DATE: Wednesday, August 28, 2002 10:21:29 am	
APPD: -	APPD: -	SHEET: 3 OF 7	
SUPSD: -		SCALE: -	
SUPERSEDES: -		CODE: -	

023783

3



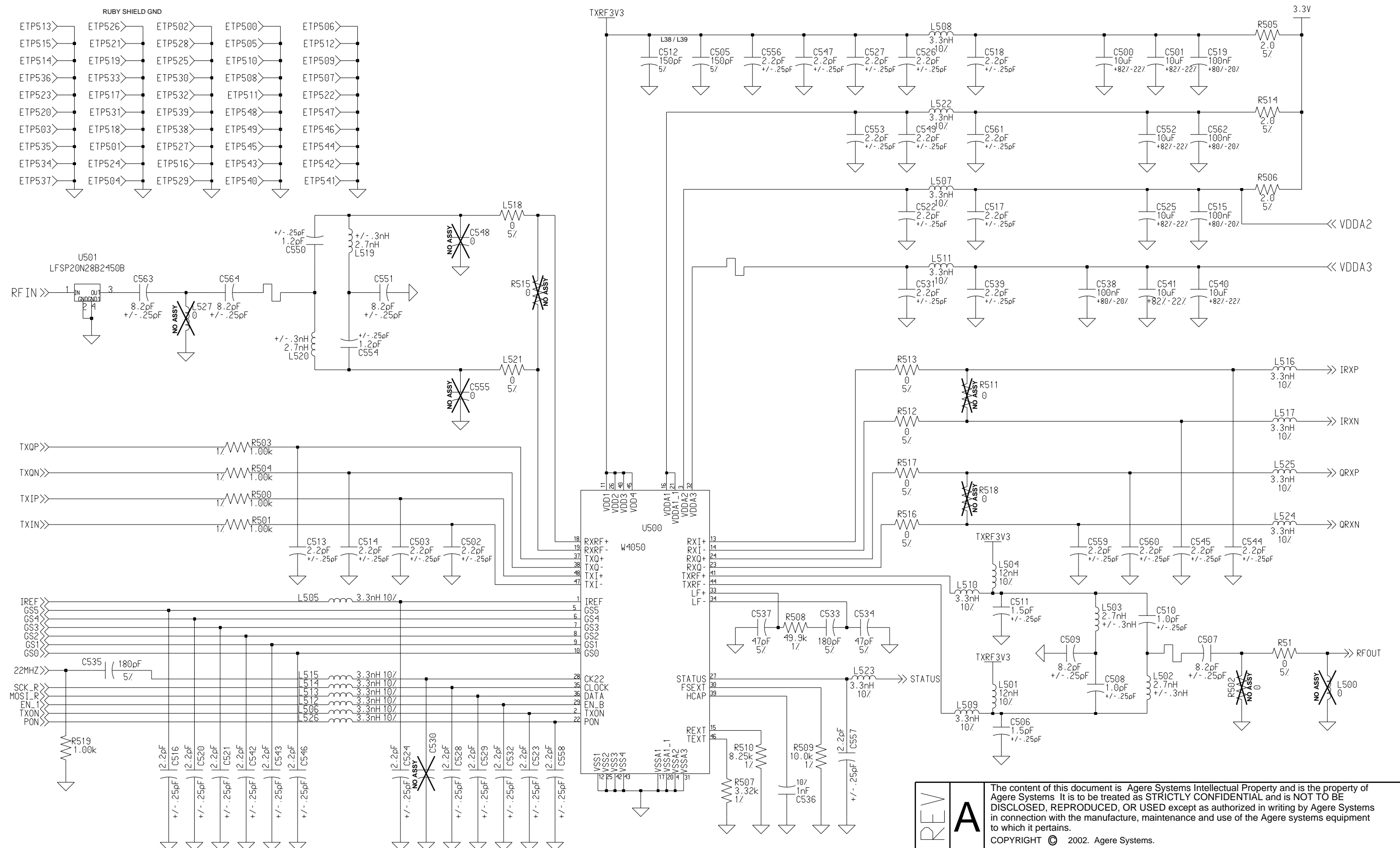
REV A

The content of this document is Agere Systems Intellectual Property and is the property of Agere Systems. It is to be treated as STRICTLY CONFIDENTIAL and is NOT TO BE DISCLOSED, REPRODUCED, OR USED except as authorized in writing by Agere Systems in connection with the manufacture, maintenance and use of the Agere systems equipment to which it pertains.  
 COPYRIGHT © 2002. Agere Systems.

<b>8u402_1</b>		<b>Agere System Nederland B.V.</b> NIEUWEGEIN, THE NETHERLANDS	
START: -	FINISH: -	UNIT: PC Card type 2 16 bit 3V/5V/ RUBY EXTENDED SA	
DFTS: -	CHKR: -	NAME: Theseus	
DESIGNER: Jeroen Sturkenboom		DATE: Wednesday, August 28, 2002 10:21:37 am	
APPD: -	APPD: -	SHEET: 4 OF 7	
SUPSD: -		SCALE: -	
SUPERSEDES: -		CODE: -	

4

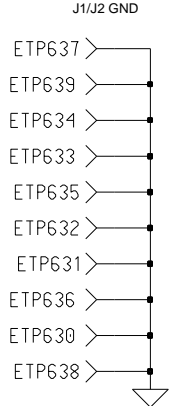
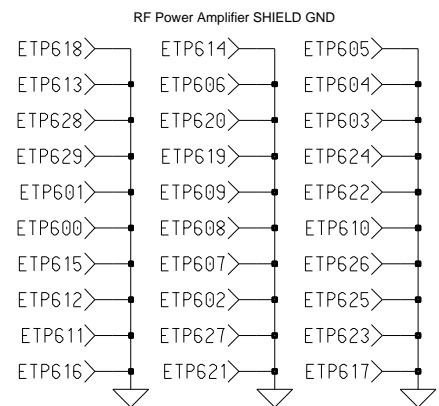
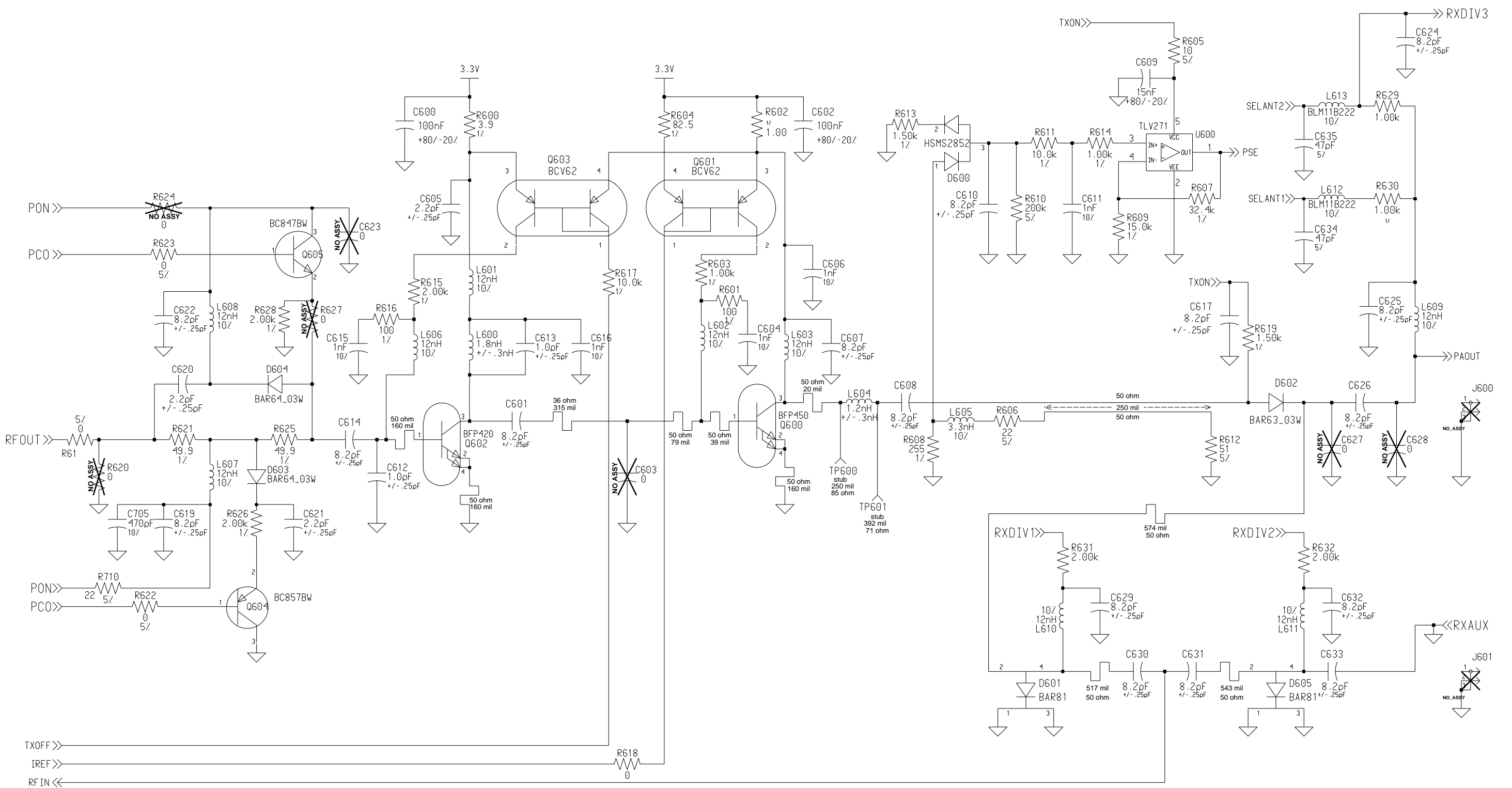
023783



REV	A	
	The content of this document is Agere Systems Intellectual Property and is the property of Agere Systems. It is to be treated as STRICTLY CONFIDENTIAL and is NOT TO BE DISCLOSED, REPRODUCED, OR USED except as authorized in writing by Agere Systems in connection with the manufacture, maintenance and use of the Agere systems equipment to which it pertains. COPYRIGHT © 2002. Agere Systems.	
8u402_1		Agere System Nederland B.V. NIEUWEGEIN, THE NETHERLANDS
START: -	FINISH: -	UNIT: PC Card type 2 16 bit 3V/5V/ RUBY EXTENDED SA
DFTS: -	CHKR: -	NAME: BASE BAND RF CONVERTER
DESIGNER: Jeroen Sturkenboom	DATE: Wednesday, August 28, 2002 10:22:27 am	
APPD: -	APPD: -	SHEET: 5 OF 7
SUPSD: -	SCALE: -	
SUPERSEDES: -	CODE: -	

5

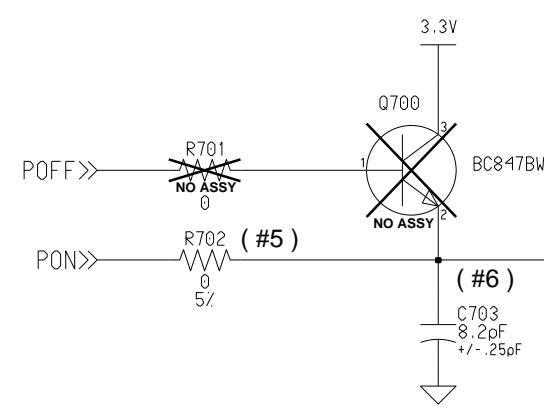
023783



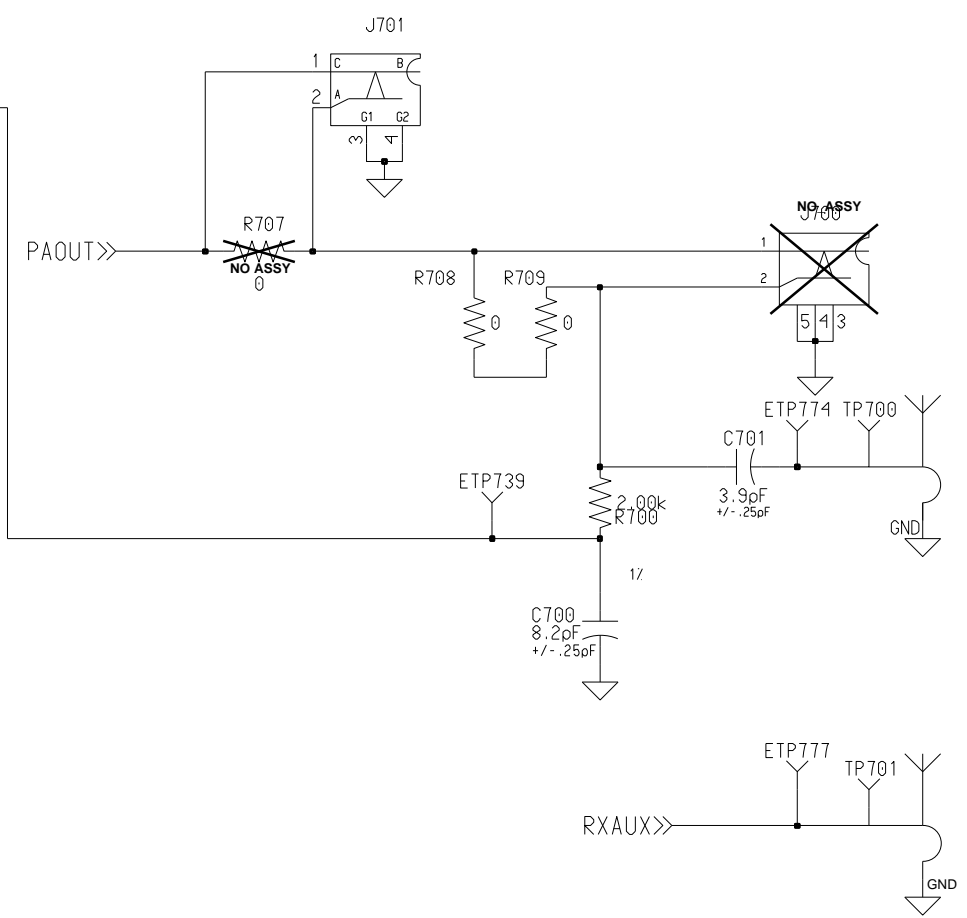
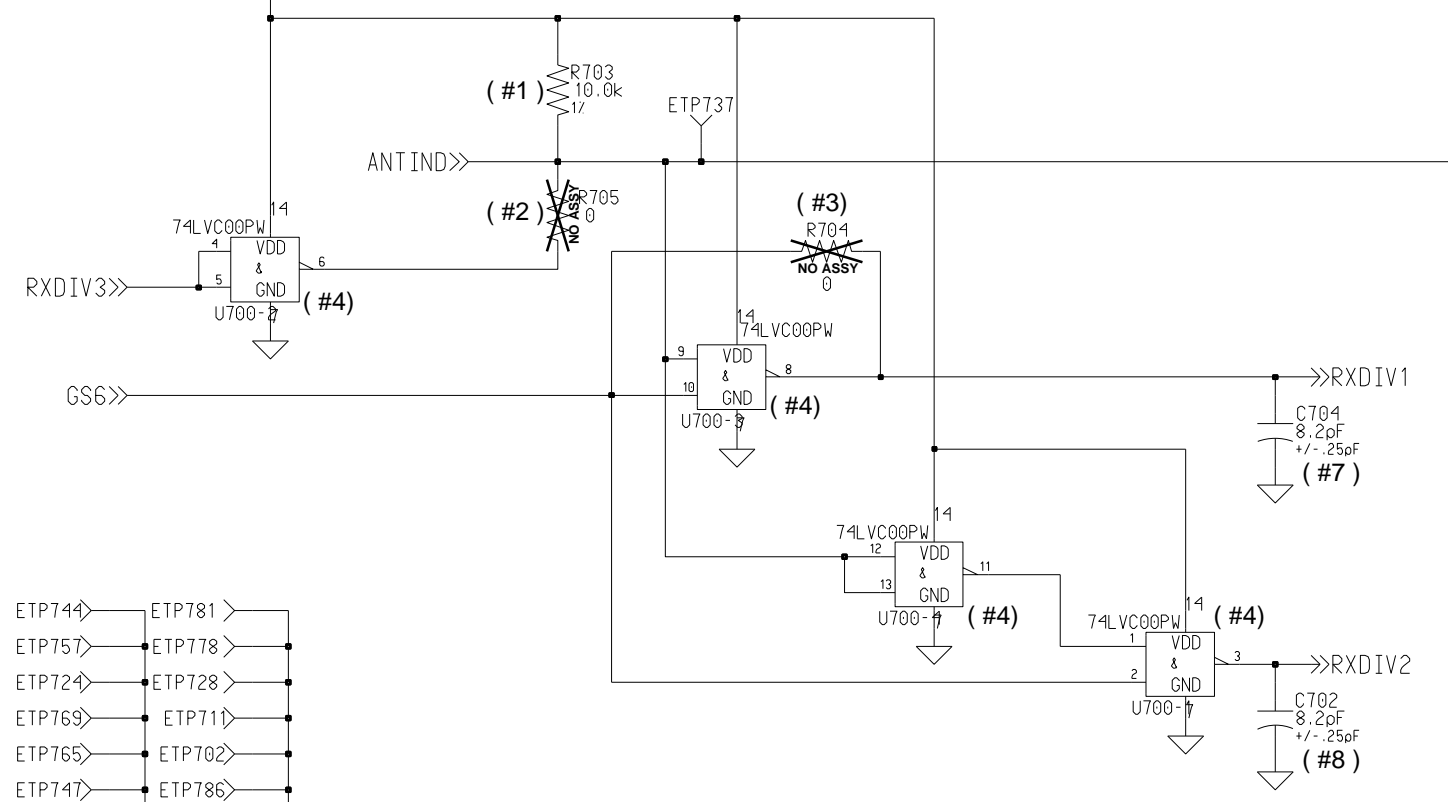
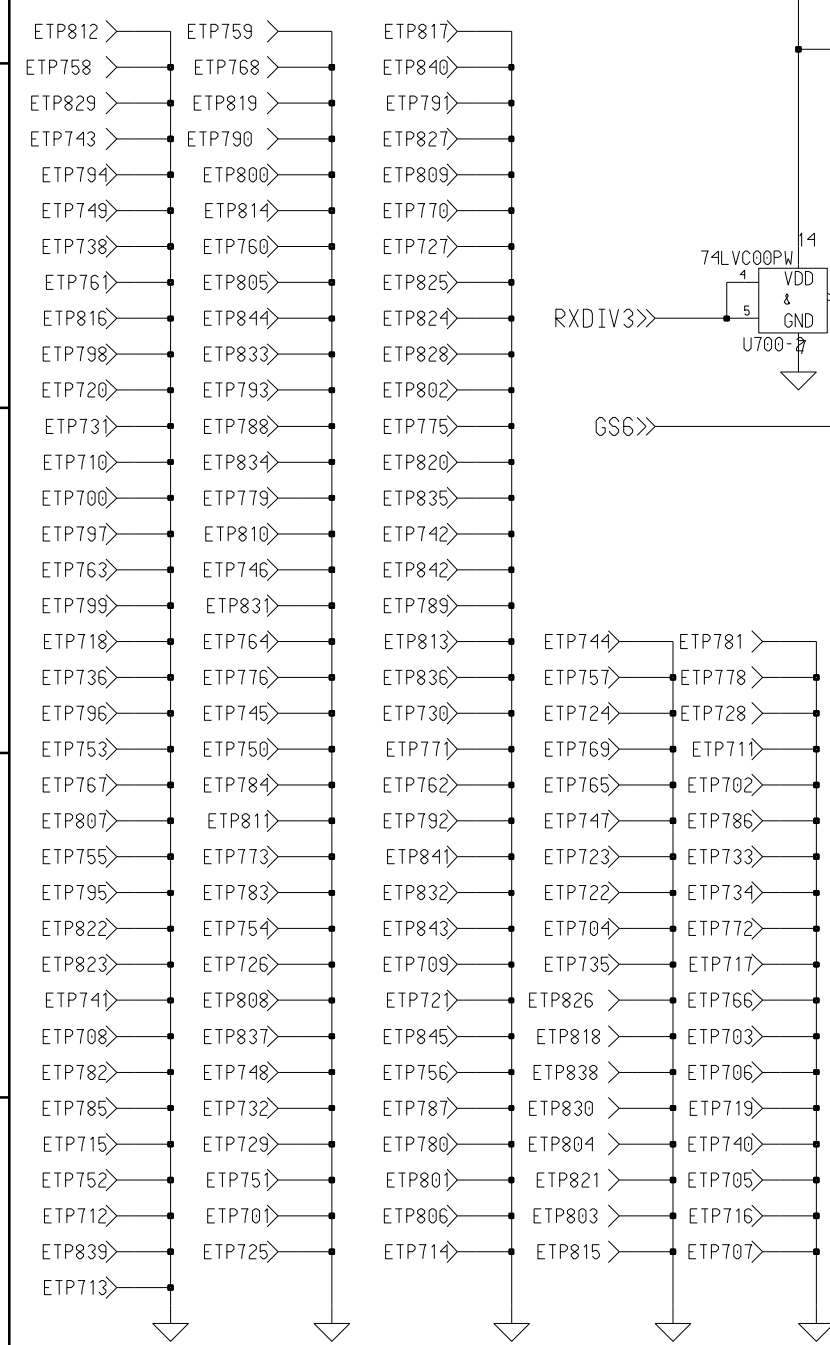
6

REV	A	The content of this document is Agere Systems Intellectual Property and is the property of Agere Systems. It is to be treated as STRICTLY CONFIDENTIAL and is NOT TO BE DISCLOSED, REPRODUCED, OR USED except as authorized in writing by Agere Systems in connection with the manufacture, maintenance and use of the Agere systems equipment to which it pertains. COPYRIGHT © 2002. Agere Systems.	
		8u402_1	
		Agere System Nederland B.V. NIEUWEGEIN, THE NETHERLANDS	
START: -	FINISH: -	UNIT: PC Card type 2 16 bit 3V/5V/ RUBY EXTENDED SA	
DFTS: -	CHKR: -	NAME: RF Power Amplifier	
DESIGNER: Jeroen Sturkenboom		DATE: Wednesday, August 28, 2002 10:23:03 am	
APPD: -	APPD: -	SHEET: 6 OF 7	
SUPSD: -		SCALE: -	
SUPERSEDES: -		CODE: -	

023783



		(#1)	(#2)	(#3)	(#4)	(#5)	(#6)	(#7)	(#8)
PCCARD	EXTENDED	10 K	NO ASSY	NO ASSY	74LVC00pw	0 Ohm	8.2pF	8.2pF	8.2pF
	INTEGRATED	NO ASSY	0 E	NO ASSY	74LVC00pw	0 Ohm	8.2pF	8.2pF	8.2pF
	EMBEDDED	NO ASSY	0 E	0 E	NO ASSY	NO ASSY	NO ASSY	NO ASSY	NO ASSY
CARDBUS	EXTENDED								
	INTEGRATED								
	EMBEDDED								



**REV A**

The content of this document is Agere Systems Intellectual Property and is the property of Agere Systems. It is to be treated as STRICTLY CONFIDENTIAL and is NOT TO BE DISCLOSED, REPRODUCED, OR USED except as authorized in writing by Agere Systems in connection with the manufacture, maintenance and use of the Agere systems equipment to which it pertains.  
 COPYRIGHT © 2002. Agere Systems.

**7**

<b>8u402_1</b>		<b>Agere System Nederland B.V.</b> NIEUWEGEIN, THE NETHERLANDS	
START: -	FINISH: -	UNIT: PC Card type 2 16 bit 3V/5V/ RUBY EXTENDED SA	
DFTS: -	CHKR: -	NAME: Schematic Diversity switching logic	
DESIGNER: Jeroen Sturkenboom		DATE: Wednesday, August 28, 2002 10:23:15 am	
APPD: -	APPD: -	SHEET: 7 OF 7	
SUPSD: -		SCALE: -	
SUPERSEDES: -		CODE: -	

**023783**