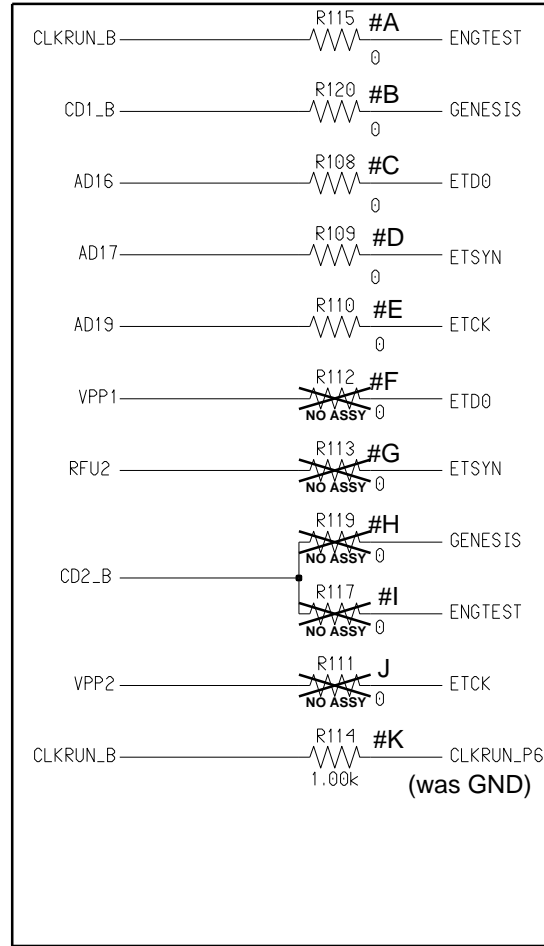
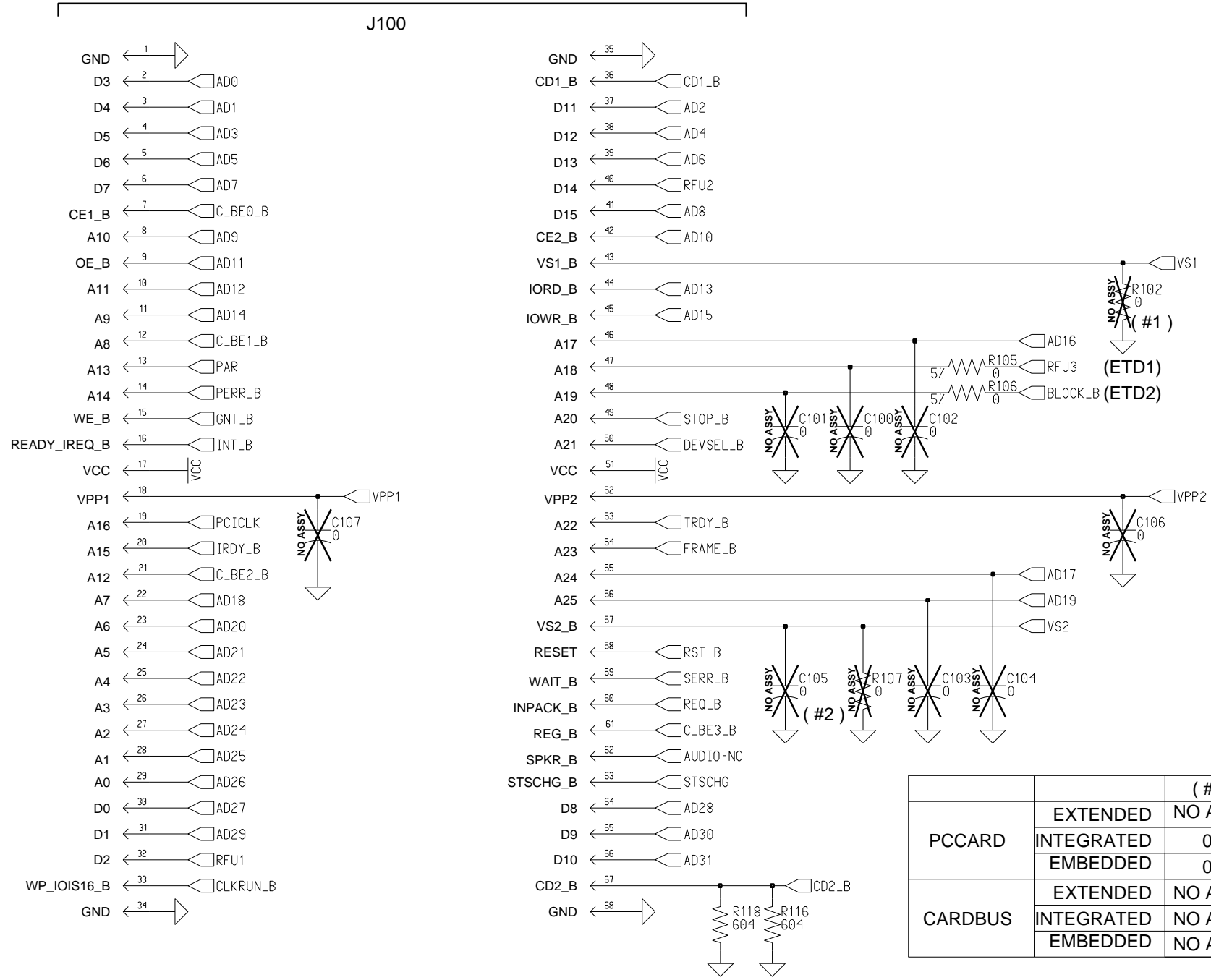


CARDBUS / PCCARD FTS STRAPS



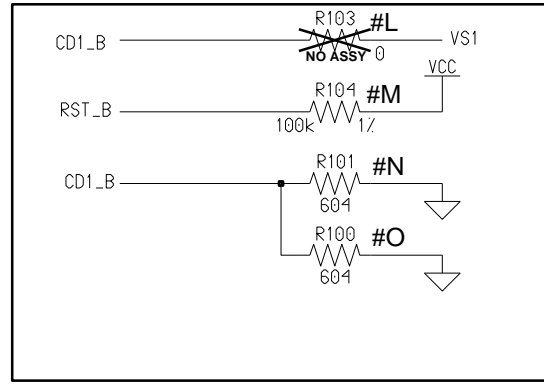
	PC CARD	CARDBUS
#A	0E	NO ASSY
#B	0E	NO ASSY
#C	0E	NO ASSY
#D	0E	NO ASSY
#E	0E	NO ASSY
#F	NO ASSY	0E
#G	NO ASSY	0E
#H	NO ASSY	0E
#I	NO ASSY	0E
#J	NO ASSY	0E
#K	1K	0E
#L	NO ASSY	0E
#M	100K	NO ASSY
#N	604	NO ASSY
#O	604	NO ASSY

PC / CARDBUS CONNECTOR



		(#1)	(#2)
PCCARD	EXTENDED	NO ASSY	NO ASSY
	INTEGRATED	0E	NO ASSY
	EMBEDDED	0E	NO ASSY
CARDBUS	EXTENDED	NO ASSY	NO ASSY
	INTEGRATED	NO ASSY	NO ASSY
	EMBEDDED	NO ASSY	NO ASSY

CARDBUS / PCCARD ASSEMBLY

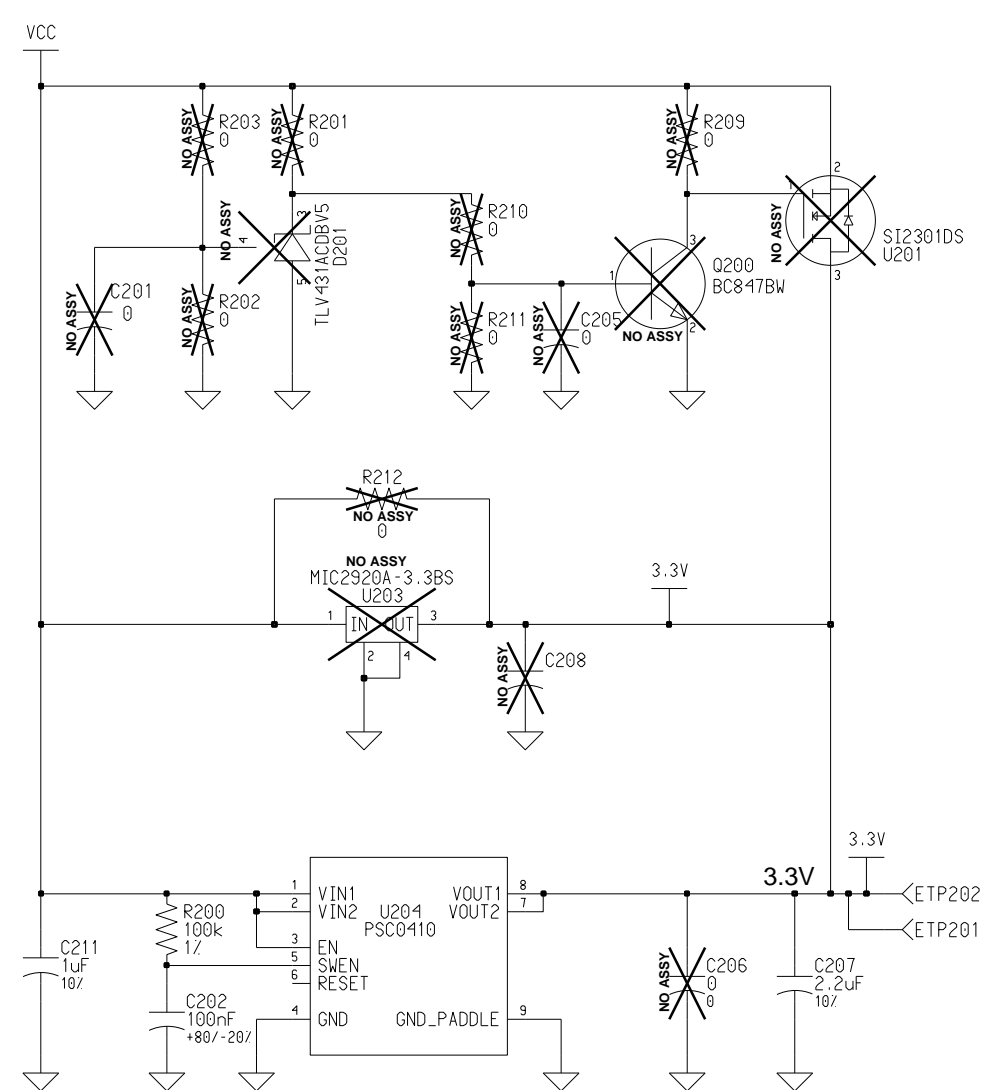
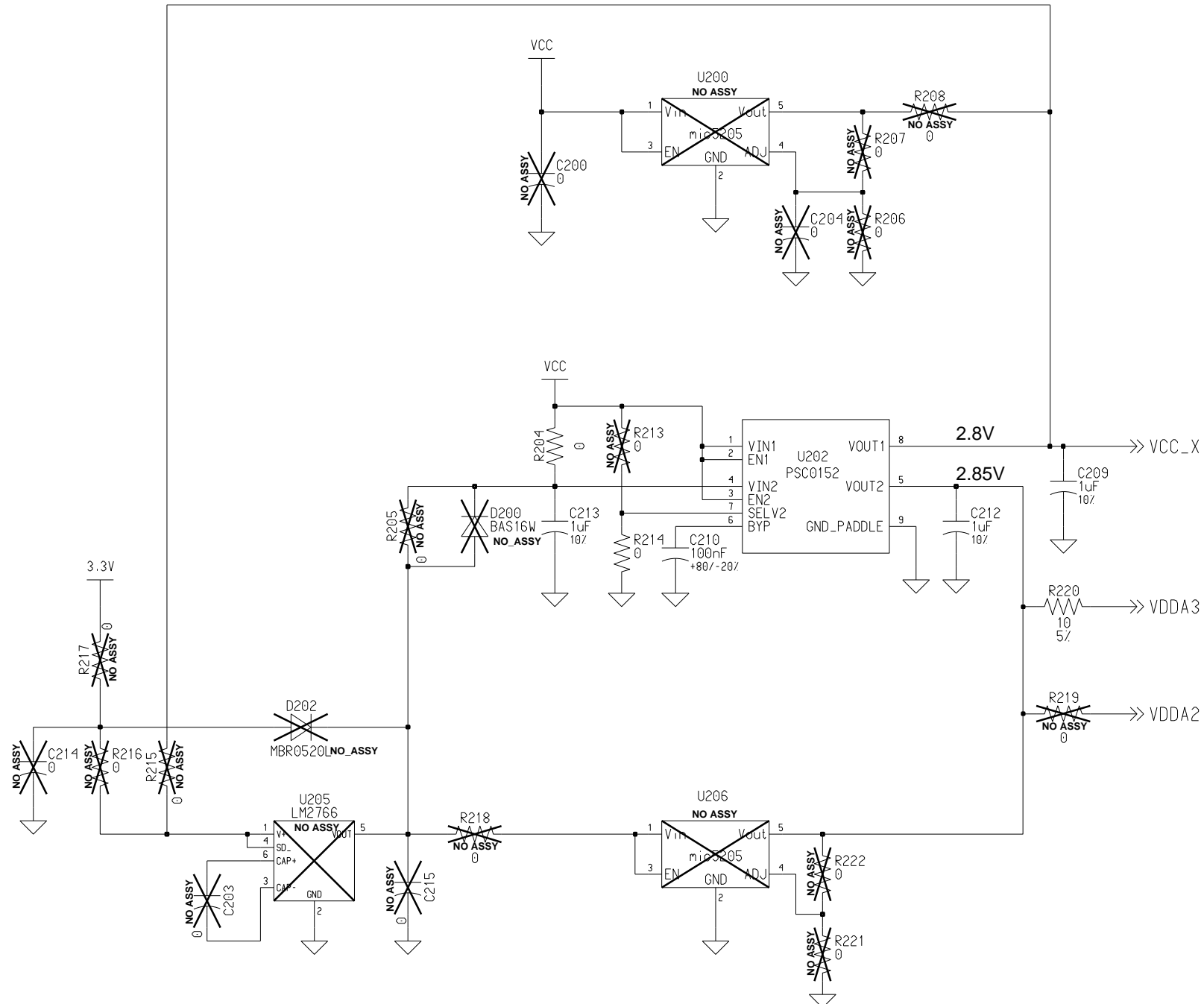


REV A The content of this document is Agere Systems Intellectual Property and is the property of Agere Systems. It is to be treated as STRICTLY CONFIDENTIAL and is NOT TO BE DISCLOSED, REPRODUCED, OR USED except as authorized in writing by Agere Systems in connection with the manufacture, maintenance and use of the Agere systems equipment to which it pertains. COPYRIGHT © 2002. Agere Systems.

<b>8u402</b>		<b>Agere System Nederland B.V.</b> NIEUWEGEIN, THE NETHERLANDS	
START: -	FINISH: -	UNIT: ORINOCO/IEEE PC Card type 2 16 bit 3V/5V/ RUBY EXTENDED SA	
DFTS: -	CHKR: -	NAME: Host Interface	
DESIGNER: Jeroen Sturkenboom		DATE: Wednesday, August 14, 2002 9:35:34 am	
APPD: -	APPD: -	SHEET: 1 OF 7	
SUPSD: -		SCALE: -	
SUPERSEDES: -		CODE: -	

1

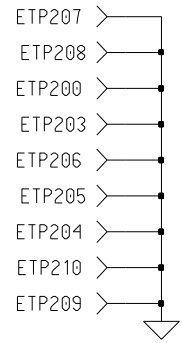
023571



3.3V / 5V		
	through 3.3V	through 2.8V
C214	100nF	NO ASSY
R217	22 Ohm	22 Ohm
R216	0 Ohm	NO ASSY
R215	NO ASSY	10 Ohm
R205	NO ASSY	0 Ohm
D200	BAS16W	NO ASSY

SELECT VOLTAGE VOUT 2 U26		
	3.3V	2.8V
R214	NO ASSY	0 Ohm
R213	0 Ohm	NO ASSY

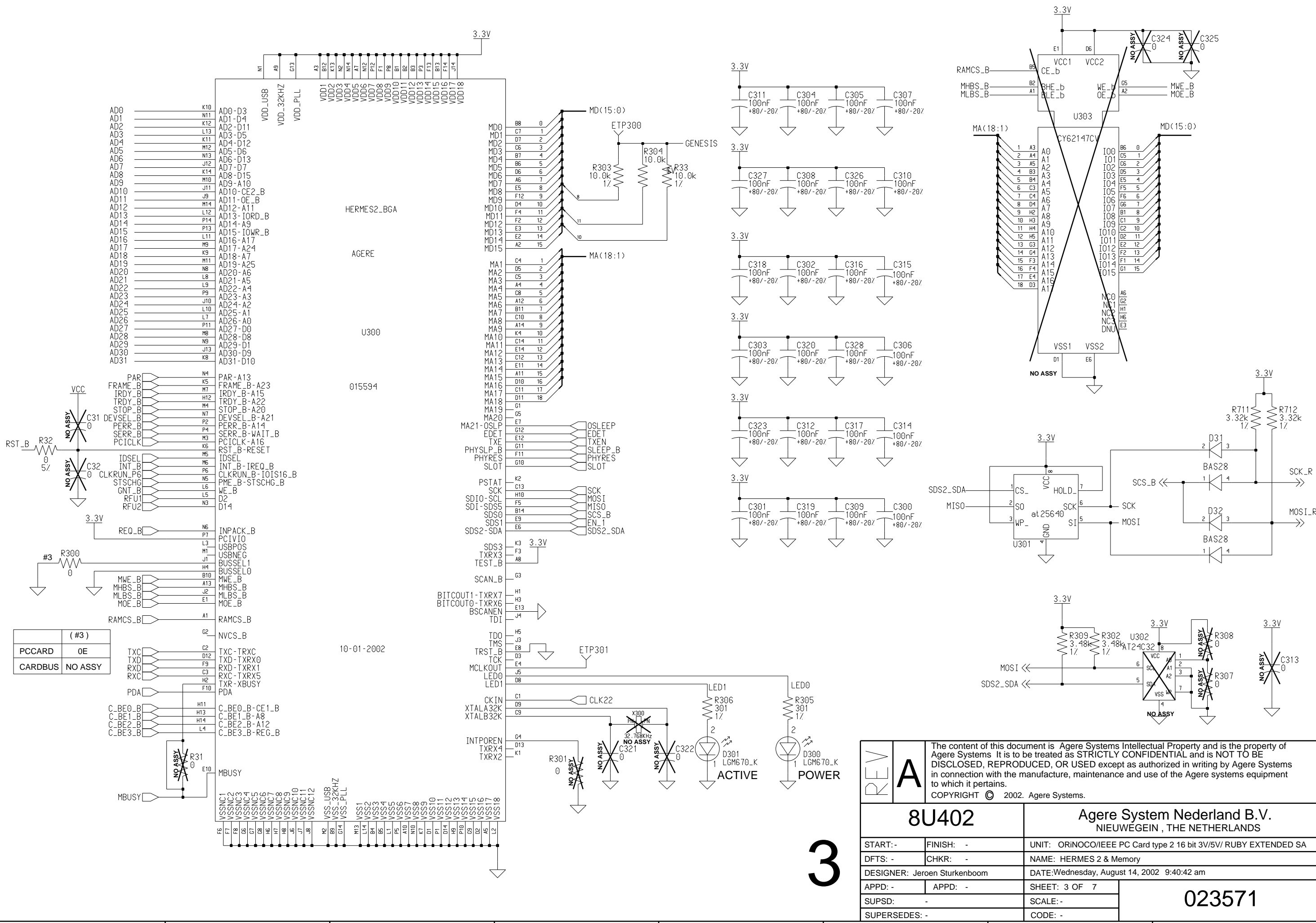
COMMON GND



REV	A	The content of this document is Agere Systems Intellectual Property and is the property of Agere Systems. It is to be treated as STRICTLY CONFIDENTIAL and is NOT TO BE DISCLOSED, REPRODUCED, OR USED except as authorized in writing by Agere Systems in connection with the manufacture, maintenance and use of the Agere systems equipment to which it pertains. COPYRIGHT © 2002. Agere Systems.	
		8u402	
		Agere System Nederland B.V. NIEUWEGEIN, THE NETHERLANDS	
START: -	FINISH: -	UNIT: ORINOCO/IEEE PC Card type 2 16 bit 3V/5V/ RUBY EXTENDED SA	
DFTS: -	CHKR: -	NAME: Power Supply	
DESIGNER: Jeroen Sturkenboom		DATE: Wednesday, August 14, 2002 9:36:56 am	
APPD: -	APPD: -	SHEET: 2 OF 7	
SUPSD: -		SCALE: -	
SUPERSEDES: -		CODE: -	

2

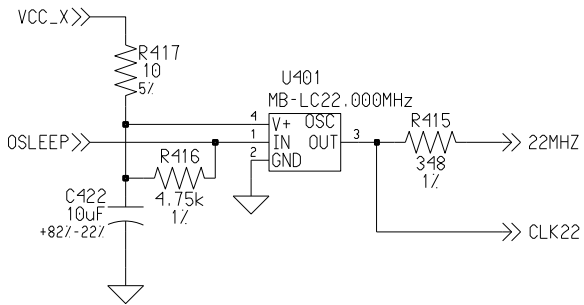
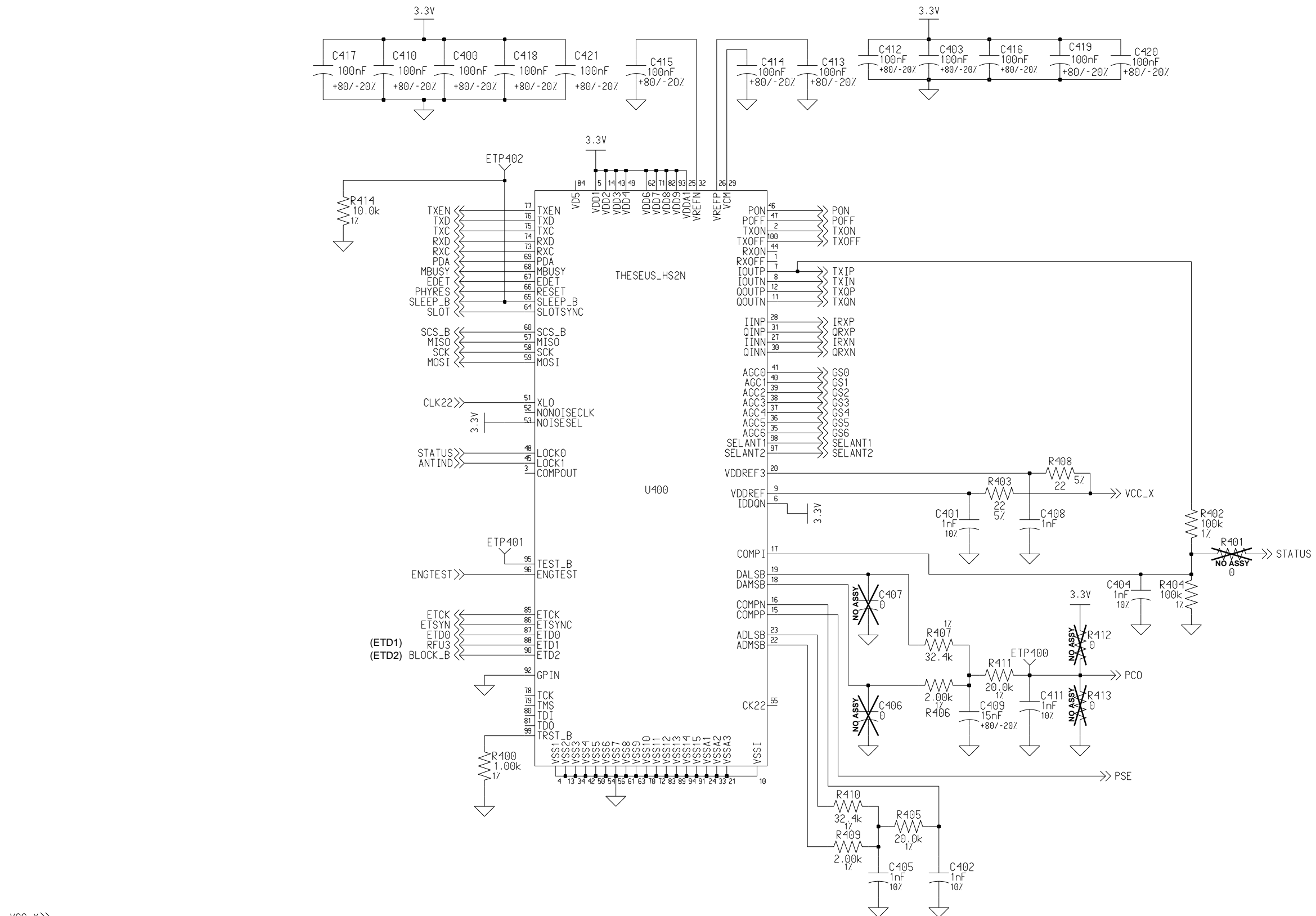
023571



	(#3)
PCCARD	OE
CARDBUS	NO ASSY

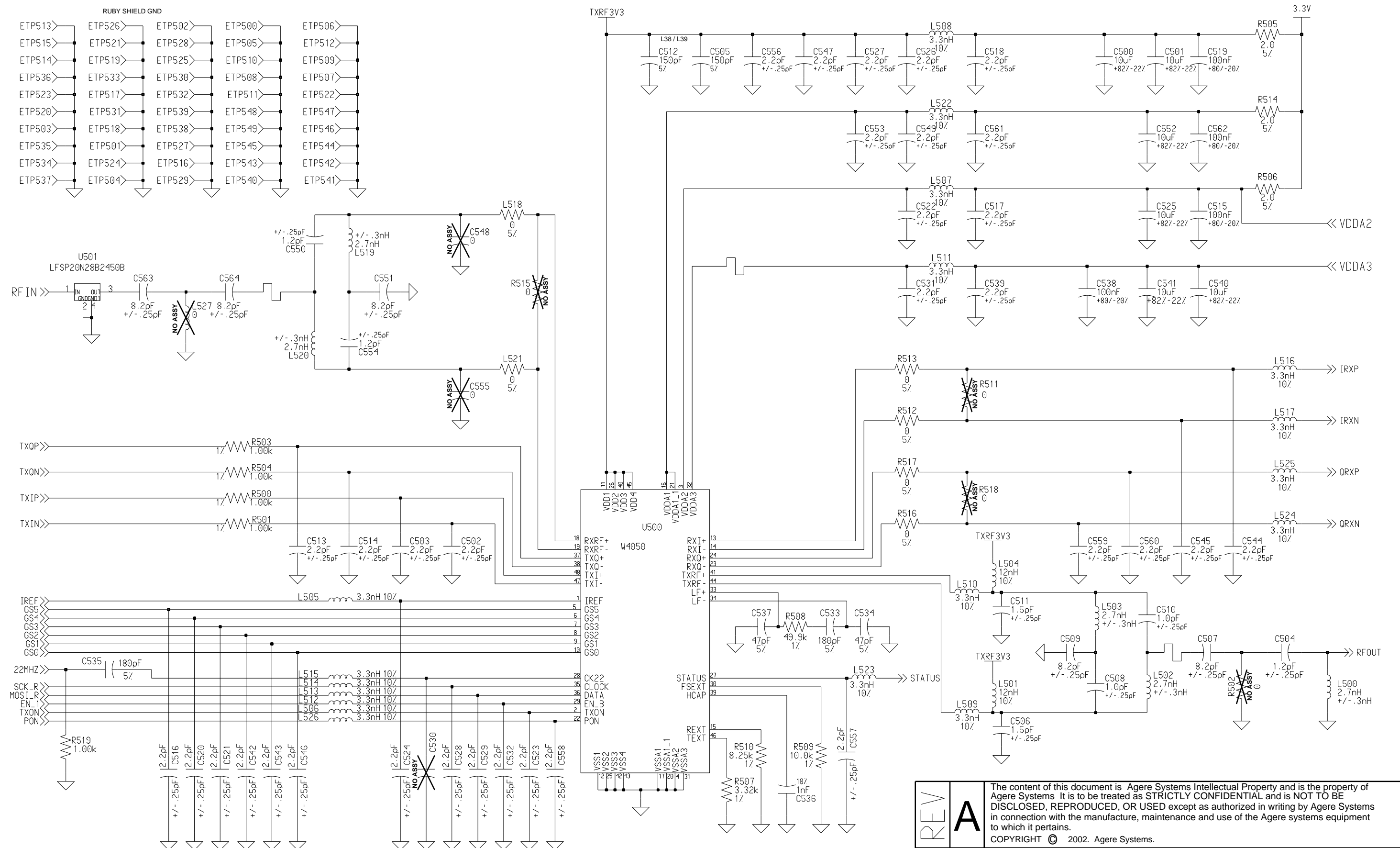
<b>REV A</b>		
<b>8U402</b>		
<b>Agere System Nederland B.V.</b> NIEUWEGEIN, THE NETHERLANDS		
START: -	FINISH: -	UNIT: ORINOCO/IEEE PC Card type 2 16 bit 3V/5V/ RUBY EXTENDED SA
DFTS: -	CHKR: -	NAME: HERMES 2 & Memory
DESIGNER: Jeroen Sturkenboom		DATE: Wednesday, August 14, 2002 9:40:42 am
APPD: -	APPD: -	SHEET: 3 OF 7
SUPSD: -	SCALE: -	023571
SUPERSEDES: -	CODE: -	

3



4

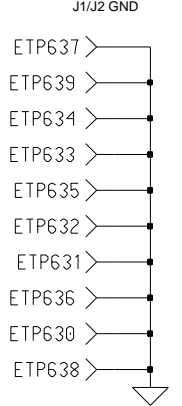
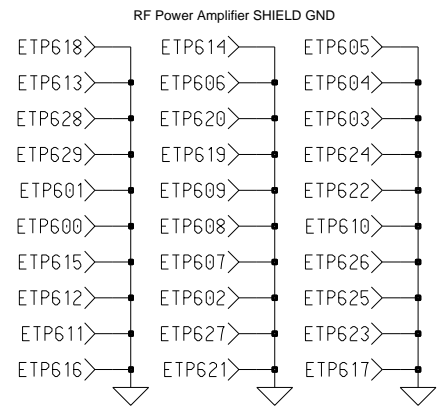
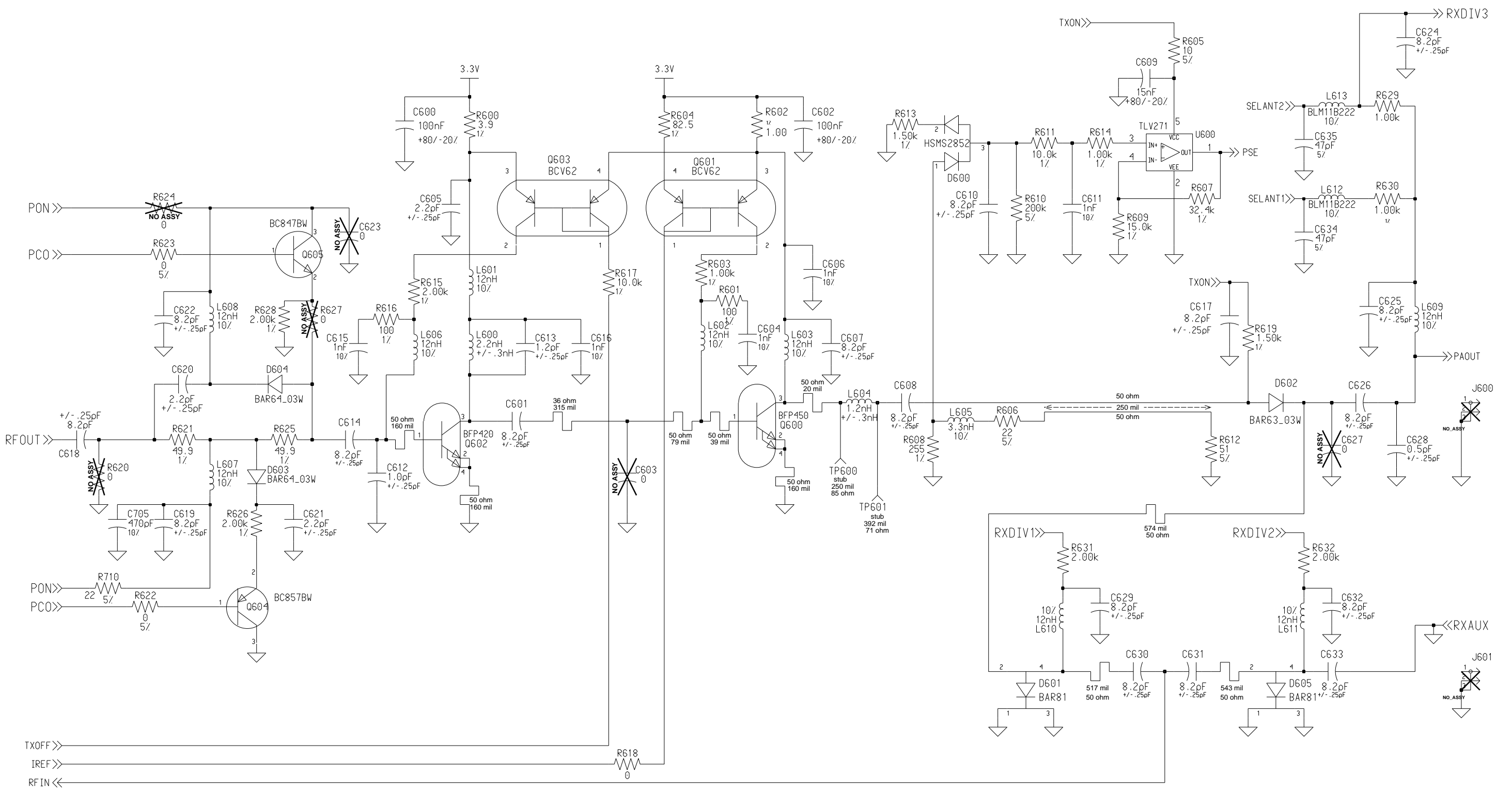
REV A	The content of this document is Agere Systems Intellectual Property and is the property of Agere Systems. It is to be treated as STRICTLY CONFIDENTIAL and is NOT TO BE DISCLOSED, REPRODUCED, OR USED except as authorized in writing by Agere Systems in connection with the manufacture, maintenance and use of the Agere systems equipment to which it pertains. COPYRIGHT © 2002. Agere Systems.	
	<b>8u402</b>	
<b>Agere System Nederland B.V.</b> NIEUWEGEIN, THE NETHERLANDS		UNIT: ORINOCO/IEEE PC Card type 2 16 bit 3V/5V/ RUBY EXTENDED SA
START: -	FINISH: -	NAME: Theseus
DFTS: -	CHKR: -	DATE: Wednesday, August 14, 2002 9:51:26 am
DESIGNER: Jeroen Sturkenboom	SHEET: 4 OF 7	
APPD: -	APPD: -	SCALE: -
SUPSD: -	<b>023571</b>	
SUPERSEDES: -		



REV	A	
	The content of this document is Agere Systems Intellectual Property and is the property of Agere Systems. It is to be treated as STRICTLY CONFIDENTIAL and is NOT TO BE DISCLOSED, REPRODUCED, OR USED except as authorized in writing by Agere Systems in connection with the manufacture, maintenance and use of the Agere systems equipment to which it pertains. COPYRIGHT © 2002. Agere Systems.	
8u402		Agere System Nederland B.V. NIEUWEGEIN, THE NETHERLANDS
START: -	FINISH: -	UNIT: ORINOCO/IEEE PC Card type 2 16 bit 3V/5V/ RUBY EXTENDED SA
DFTS: -	CHKR: -	NAME: BASE BAND RF CONVERTER
DESIGNER: Jeroen Sturkenboom	DATE: Wednesday, August 14, 2002 9:55:38 am	
APPD: -	APPD: -	SHEET: 5 OF 7
SUPSD: -	SCALE: -	
SUPERSEDES: -	CODE: -	

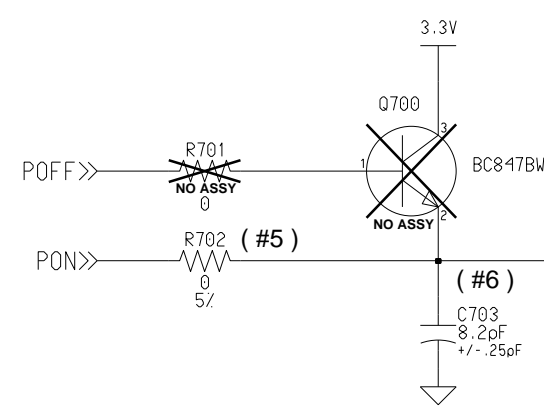
5

023571

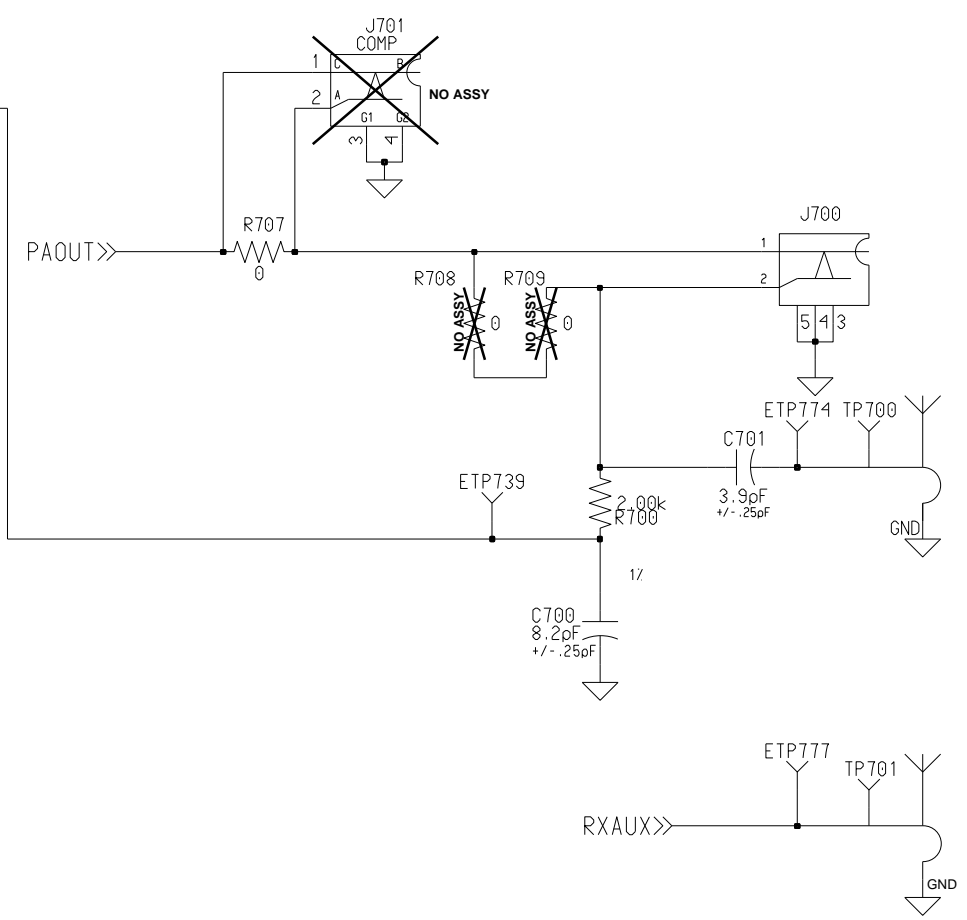
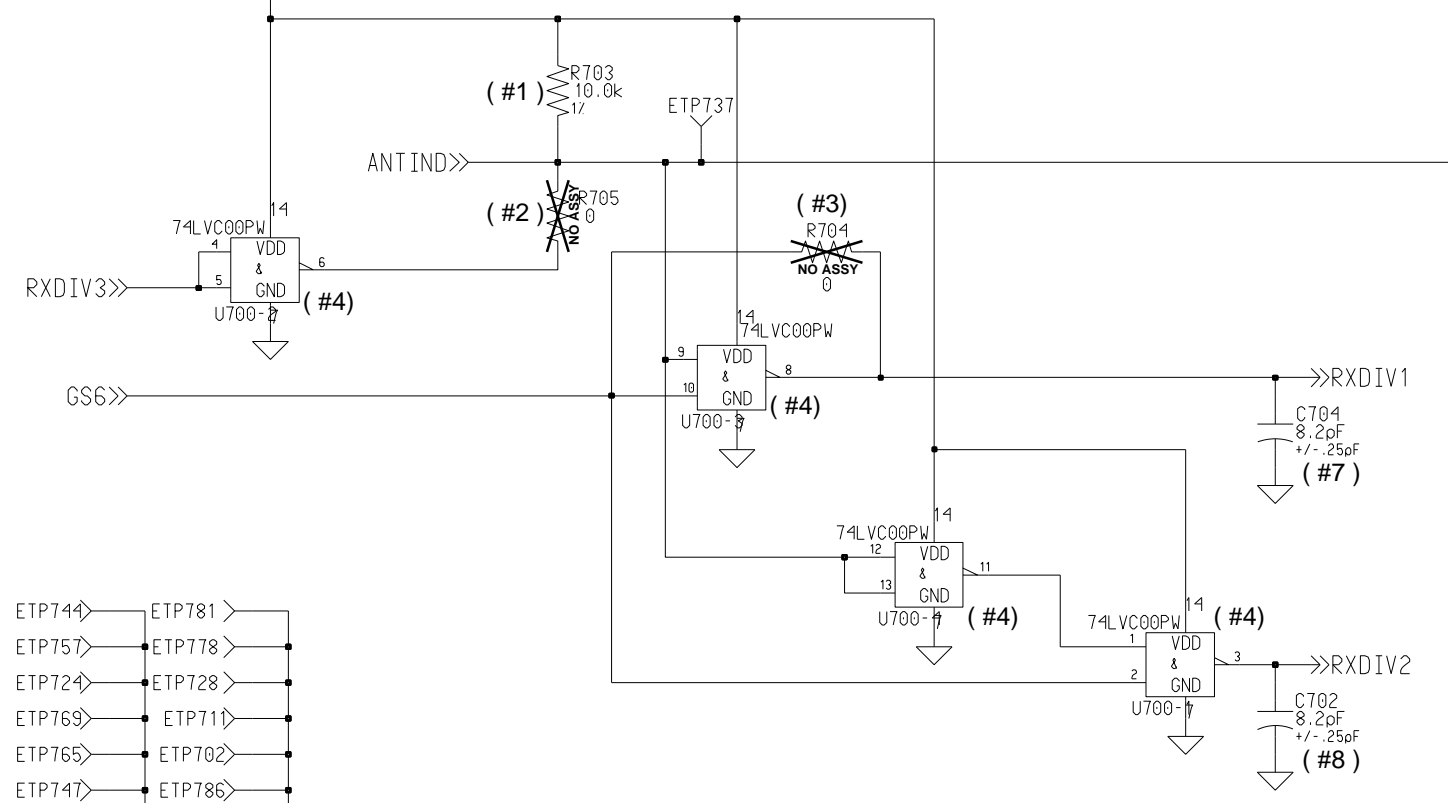
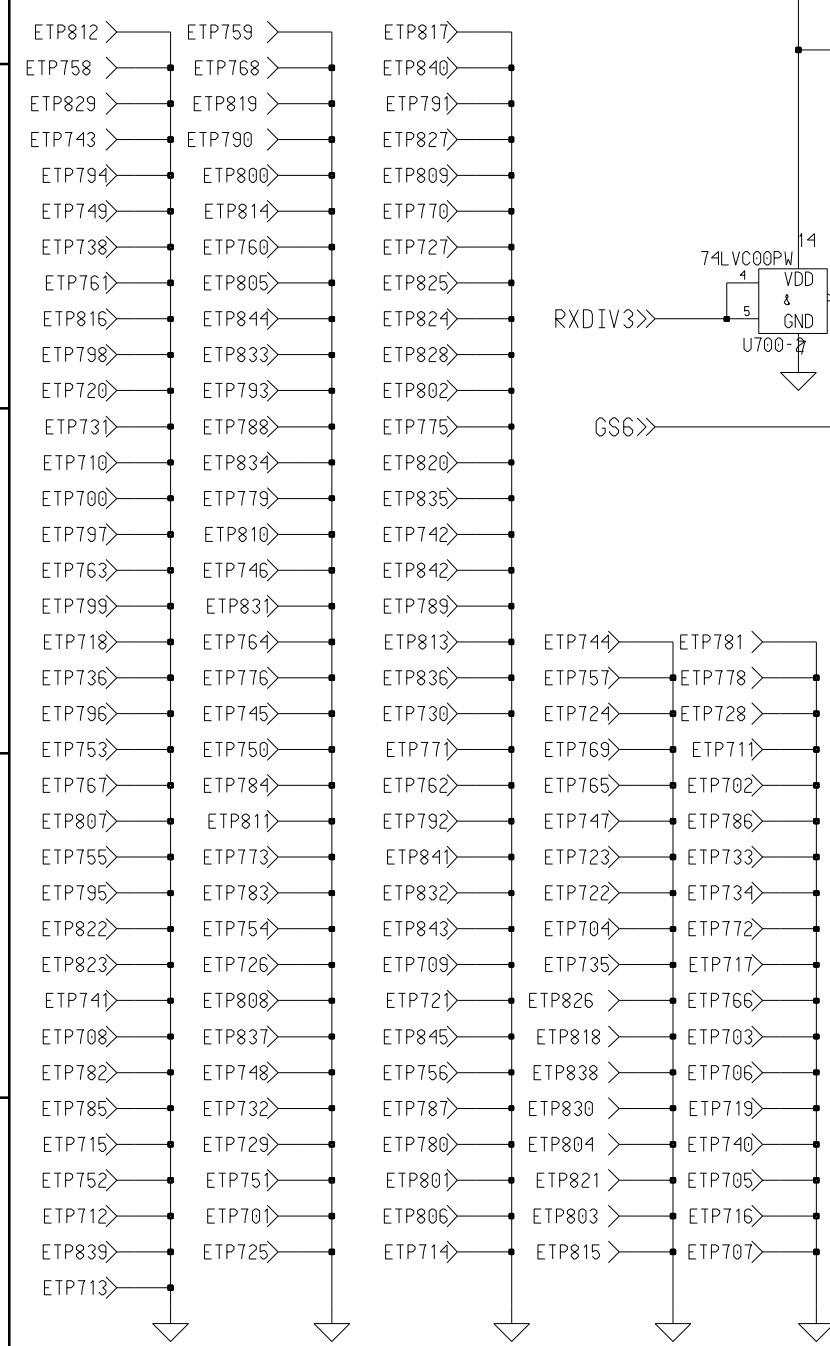


REV	A	The content of this document is Agere Systems Intellectual Property and is the property of Agere Systems. It is to be treated as STRICTLY CONFIDENTIAL and is NOT TO BE DISCLOSED, REPRODUCED, OR USED except as authorized in writing by Agere Systems in connection with the manufacture, maintenance and use of the Agere systems equipment to which it pertains. COPYRIGHT © 2002. Agere Systems.	
		8u402	
		Agere System Nederland B.V. NIEUWEGEIN, THE NETHERLANDS	
START: -	FINISH: -	UNIT: ORINOCO/IEEE PC Card type 2 16 bit 3V/5V/ RUBY EXTENDED SA	
DFTS: -	CHKR: -	NAME: RF Power Amplifier	
DESIGNER: Jeroen Sturkenboom	DATE: Wednesday, August 14, 2002 9:57:03 am		
APPD: -	APPD: -	SHEET: 6 OF 7	
SUPSD: -	SCALE: -		023571
SUPERSEDES: -	CODE: -		

6



		(#1)	(#2)	(#3)	(#4)	(#5)	(#6)	(#7)	(#8)
PCCARD	EXTENDED	10 K	NO ASSY	NO ASSY	74LVC00pw	0 Ohm	8.2pF	8.2pF	8.2pF
	INTEGRATED	NO ASSY	0 E	NO ASSY	74LVC00pw	0 Ohm	8.2pF	8.2pF	8.2pF
	EMBEDDED	NO ASSY	0 E	0 E	NO ASSY	NO ASSY	NO ASSY	NO ASSY	NO ASSY
CARDBUS	EXTENDED								
	INTEGRATED								
	EMBEDDED								



REV <b>A</b>	The content of this document is Agere Systems Intellectual Property and is the property of Agere Systems. It is to be treated as STRICTLY CONFIDENTIAL and is NOT TO BE DISCLOSED, REPRODUCED, OR USED except as authorized in writing by Agere Systems in connection with the manufacture, maintenance and use of the Agere systems equipment to which it pertains. COPYRIGHT © 2002. Agere Systems.	
	<b>8u402</b>	<b>Agere System Nederland B.V.</b> NIEUWEGEIN, THE NETHERLANDS
START: -	FINISH: -	UNIT: ORINOCO/IEEE PC Card type 2 16 bit 3V/5V/ RUBY EXTENDED SA
DFTS: -	CHKR: -	NAME: Schematic Diversity switching logic
DESIGNER: Jeroen Sturkenboom	DATE: Wednesday, August 14, 2002 9:57:35 am	
APPD: -	APPD: -	SHEET: 7 OF 7
SUPSD: -	SCALE: -	<b>023571</b>
SUPERSEDES: -	CODE: -	

7