

APPROVED SOURCE(S) OF SUPPLY			
SUPPLIER	PART NUMBER	REV	DATE
1. CENTURION	CAF28775		
2.			
3.			
4.			

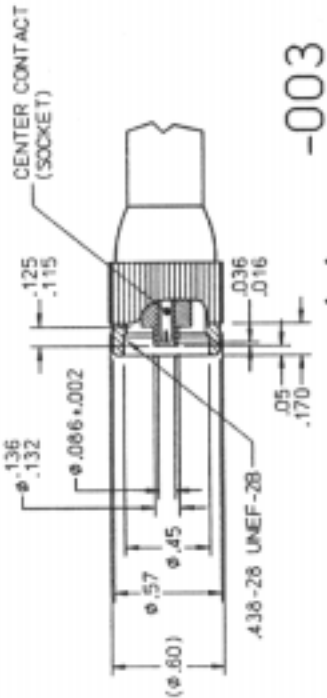
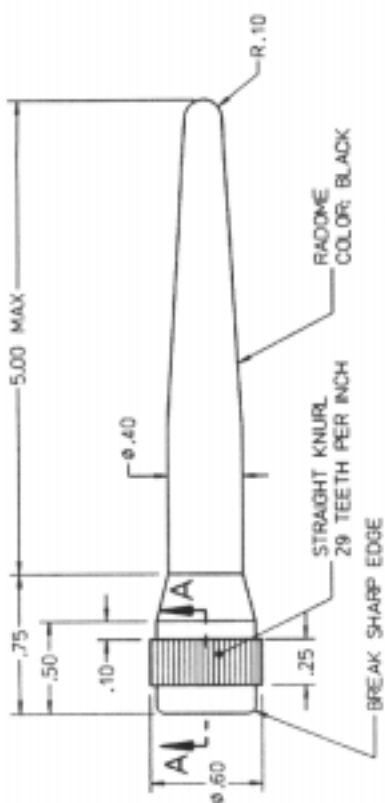
REVISION	DESCRIPTION	DATE	DRAWN & APPROVED
5	-001 RELEASED AT REV C	12-16-94	GRAVEN RCH
4	-002 PER ECN 023493	12-22-95	LF011 RCH
3	-003 PER ECN 024930		
2			
1			

REV STATUS OF SHEETS	REVISION	DESCRIPTION	DATE	DRAWN & APPROVED
5	4	3	2	1
4	3	2	1	
3	2	1		
2	1			
1				

REVISION	DESCRIPTION	DATE	DRAWN & APPROVED
5	-001 RELEASED AT REV C	12-16-94	GRAVEN RCH
4	-002 PER ECN 023493	12-22-95	LF011 RCH
3	-003 PER ECN 024930		
2			
1			

NOTES: UNLESS OTHERWISE SPECIFIED

1. PLUG MATES WITH INTERMEC DRAWING NUMBER 058905, KINGS PART NUMBER 372-6-9.
2. CONNECTOR REQUIREMENTS:
MATERIAL: CONNECTOR BODY; BRASS ALLOY 360, PER 00-B-626.
CENTER CONTACT: BERYLLIUM COPPER PER ASTM-B-196.
INSULATOR: PIPE FLUOROCARBON PER ASTM-D1710, TYPE 1, GRADE 1.
3. FINISH: CENTER CONTACT: GOLD PER MIL-G-45204, TYPE 1, GRADE C, OVER GOLD PER MIL-G-45204, TYPE 1, GRADE A OVER NICKEL PER 00-N-290, GRADE C (.001) CONNECTOR BODY; BLACK CHROME PER MIL-C-14538C (.00001) WITH NICKEL UNDERPLATE PER 00-N-290A, GRADE G (.0001-.0002)
4. MECHANICAL REQUIREMENTS:
90° FLEXURE PERFORMANCE: 500 CYCLES.
PULL TEST: 30 LB LINEAR PULL.
TORQUE TEST: 15 IN-LB.
5. SPECIFICATIONS: FREQUENCY RANGE 2.4-2.4835 GHZ
IMPEDANCE: 50 OHMS
VSWR: 1.5:1 ACROSS 2.4-2.4835 GHZ
POWER RATING: 1 WATT
OPERATING TEMPERATURE: -40° TO +65°C 095% RH
GAIN: 1.0 DBI PEAK MINIMUM
6. BAG PART AND MARK BAG WITH 060751 AND DASH NUMBER TO WHICH MANUFACTURED PER SPECIFICATION 606427.
7. INTERFACE PER MIL-C-39012 OR MIL-STD-348 AS APPLICABLE.
CHANGES REQUIRE SAC APPROVAL.



SECTION A-A

-003

NOTICE
THIS DRAWING SHALL NOT BE DUPLICATED OR USED FOR ANY PURPOSE OTHER THAN THAT FOR WHICH PROVIDED. THE INFORMATION DISCLOSED HEREIN ORIGINATED BY AND IS THE PROPERTY OF INTERMEC CORPORATION AND EXCEPT FOR RIGHTS EXPRESSLY GRANTED BY WRITTEN CONSENT, SUCH INFORMATION SHALL NOT BE DISCLOSED OR DISSEMINATED WHOLE OR IN PART. INTERMEC CORPORATION RESERVES ALL PATENT, PROPRIETARY, DESIGN, USE, SALE, MANUFACTURING AND REPRODUCTION RIGHTS THEREIN.

CAD DBREF - /caddbref/nrl/060751.1.e		SYSTEM - HP	
UNLESS OTHERWISE SPECIFIED, DIMENSIONS ARE IN INCHES.	APPROVALS	DATE	
XX # 02	DRAWN	G. GRAVEN	4-9-94
XXX # .010	CHECKED	RH. GUNLUND	8-2-94
ANGLES ± 1°	RESP ENG	M. SHAVER	8-5-94
	QA	K. CANTRELL	8-11-94
	MFG ENG	M. S. ALATNO	8-4-94
	SAC	P. HELTON	8-3-94
			SCALE 2/1
			SHEET 1 OF 1

SOURCE CONTROL DRAWING

Intermec		6001 36TH AVENUE WEST EVERETT, WA 98203-9280	
TITLE		ANTENNA, TNC, 2.4 GHZ	
DIPOLE			
SIZE	CODE	DRAWING NUMBER	REV
C	33825	060751	E

JG2050