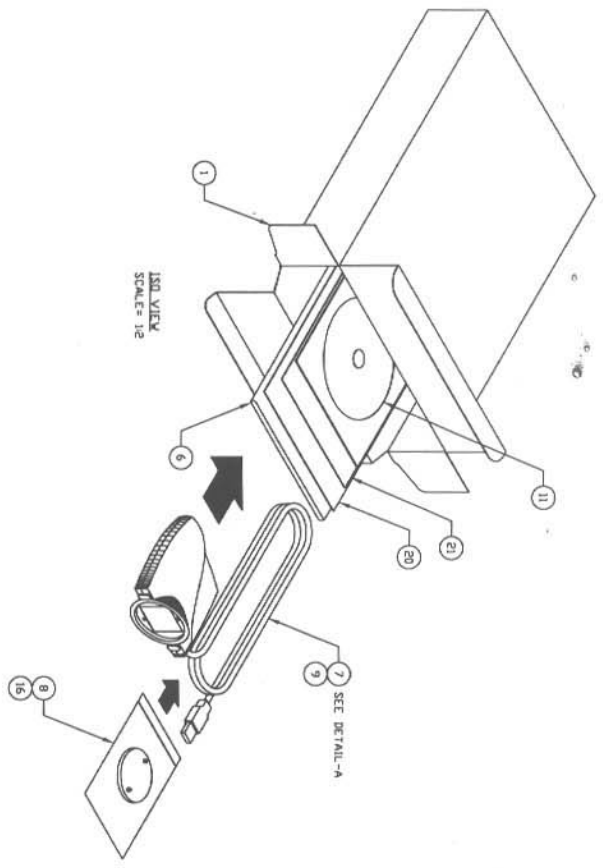
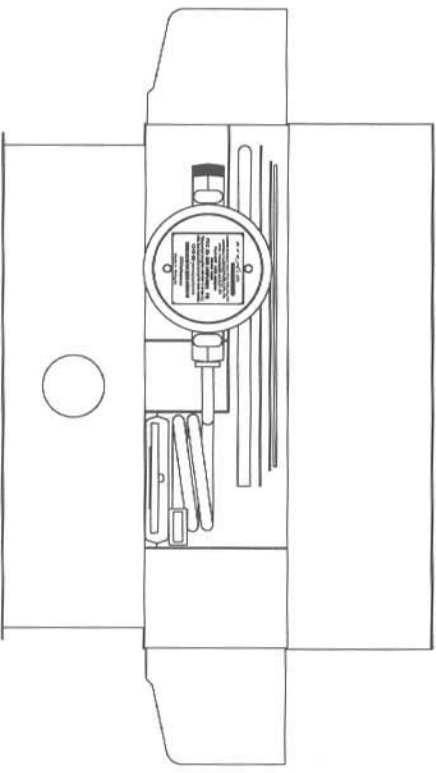


THIS DRAWING CONTAINS PROPRIETARY INFORMATION OF APPROXIM. ANY REPRODUCTION OR USE OF THIS DRAWING WITHOUT THE WRITTEN PERMISSION OF APPROXIM IS STRICTLY PROHIBITED. APPROXIM SHALL BE RESPONSIBLE FOR ANY REPRODUCTION OF THIS DRAWING WITHOUT THE WRITTEN PERMISSION OF APPROXIM.

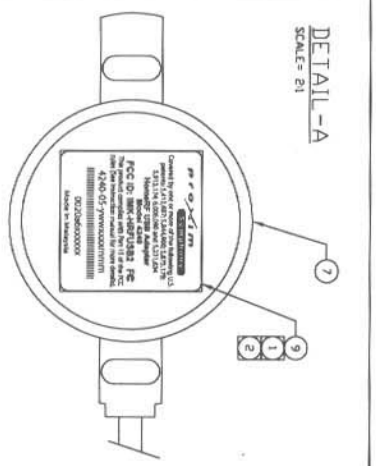


ISO-LEFT SIDE VIEW
SCALE: 1:1

- NOTES: UNLESS OTHERWISE SPECIFIED
1. DIVERGENT PRODUCT SERIAL NUMBER IN LOCATION SHOWN ON LABEL. CITEM 59) AS SHOWN PER DETAIL-A.
 USE LABEL TEXT FORMAT AS FOLLOWS:
 Y = YEAR OF SHIPMENT
 VV = WEEK OF SHIPMENT
 XXXX = UNIQUE 4-DIGIT ALPHANUMERIC NUMBER (1,500,000 COMBINATIONS).
 MM = SUBCONTRACTOR SUPPLIER CODE PER PRODUCTION PROCESS PROCEDURE (7/14 73535163).
 B. DIVERGENT NUMBER IN LABEL. CITEM 14) PER DETAIL-A.
 C. DIVERGENT COUNTRY OF ORIGIN IN APPROXIMATE LOCATION SHOWN (I.E. MADE IN MALAYSIA).
 2. ART'X LABEL, CITEM 59) TO USB ADAPTER ASSY. CITEM 7) IN LOCATION SHOWN PER DETAIL-A.
 3. PLASTIC SHRINK WRAP COMPLETED SHIPPING KIT ASSY.



FRONT VIEW-BOX OPEN
SCALE: 1:1



DETAIL-A
SCALE: 2:1

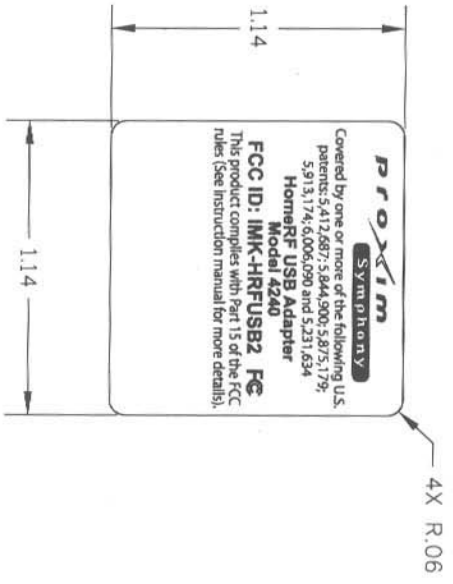
SK, SYNCHRONY POWER WIFI USB ADAPTER, FCC	
REV 01	DATE 4/24/05
REV 01	DATE 4/24/05
REV 01	DATE 4/24/05

REV	ECO	DATE	DESCRIPTION	BY	APP
01	2233	4/24/05	INITIAL RELEASE TO SAP	SP	SP
02	2233	...	INITIAL RELEASE FOR S. BAWANG	SP	SP

THIS DRAWING CONTAINS PROPRIETARY INFORMATION OF PROXIM AND MAY NOT BE REPRODUCED OR IN ANY MANNER BE DISCLOSED, COPIED, USED FOR MANUFACTURE OF ANY PART DESCRIBED HEREIN WITHOUT THE PRIOR WRITTEN PERMISSION OF PROXIM, AND IS NOT INTENDED FOR USE AS AN EXTERNAL DESIGN SPECIFICATION.

REVISION

LTR	ECO	DATE	INITIAL RELEASE	BY	APPR
01	2552	--		W/F	



NOTES: UNLESS OTHERWISE SPECIFIED

1. MATERIAL: 2 MIL WHITE MYLAR WITH .5 MIL CLEAR LAMINATE AND PERMANENT ADHESIVE BACKING.
2. ALL TEXT BLACK ON WHITE BACKGROUND.
3. FOR TEXT, GRAPHICS AND PMS COLORS USE ARTWORK PROVIDED BY PROXIM.

NOTES UNLESS SPECIFIED		DRAWN	W/F	FOSTER	6/21/01
TOLERANCES XX+/- .XX ANGULAR XXX+/- .XXX +/- XXX+/- .XXX +/-		DESIGN	SEE NOTES		
BREAK ALL SHARP EDGES APPROX. .XXX MACH. SURFACES DIMENSIONS APPLY AFTER FINISH.		FINISH	SEE NOTES		
		CHECKED AND APPROVED			
TITLE		L O G O			
L A B E L , S Y M P H O N Y H O M E R F U S B A D A P T E R , F C C		W/BFH,			
SIZE	DWG NO.	REV.			
B	2460.1125	01			
SCALE	FILE NAME	SHEET			
2:1	24601125	1 OF 1			