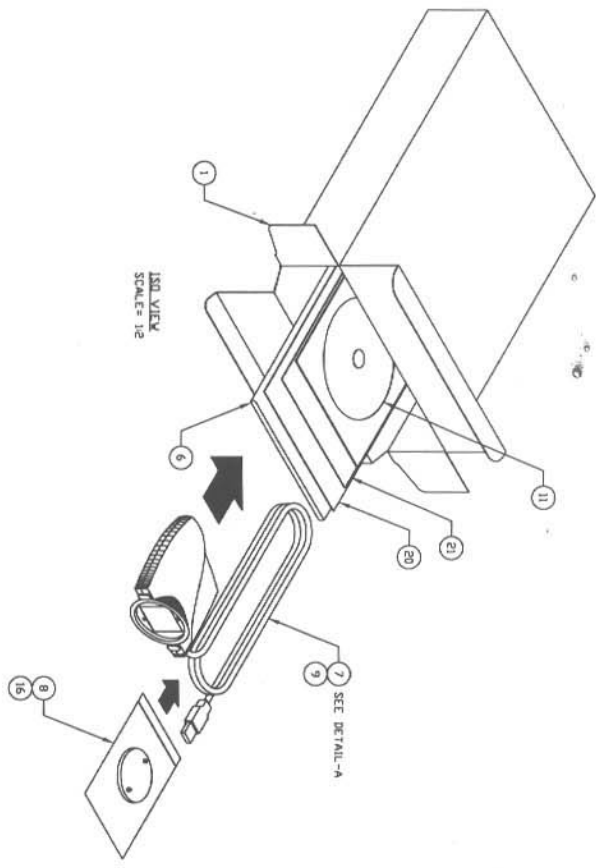
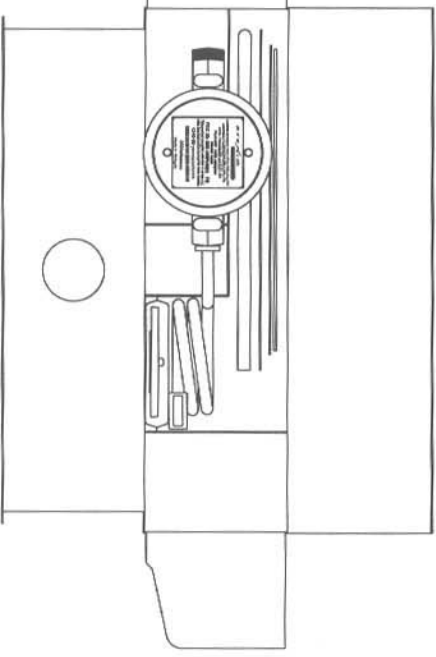


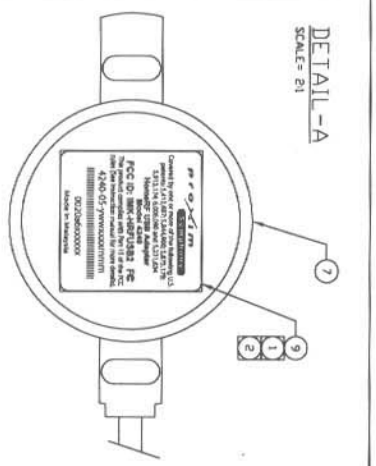
THIS DRAWING CONTAINS PROPRIETARY INFORMATION OF APPROXIM. ANY REPRODUCTION OR USE OF THIS DRAWING WITHOUT THE WRITTEN PERMISSION OF APPROXIM IS STRICTLY PROHIBITED. APPROXIM SHALL BE RESPONSIBLE FOR ANY REPRODUCTION OF THIS DRAWING WITHOUT THE WRITTEN PERMISSION OF APPROXIM.



ISO-LEFT SIDE VIEW
SCALE: 1/1



FRONT VIEW-BOX OPEN



DETAIL-A
SCALE: 2/1

NOTES: UNLESS OTHERWISE SPECIFIED

1. DIVERGENT PRODUCT SERIAL NUMBER IN LOCATION SHOWN ON LABEL. CITEM 59) AS SHOWN PER DETAIL-A.
 USE LABEL TEXT FORMAT AS FOLLOWS:
 Y = YEAR OF SHIPMENT
 VV = VEEK OF SHIPMENT
 XXXX = UNIQUE 4-DIGIT ALPHANUMERIC NUMBER (1,500,000 COMBINATIONS).
 MM = SUBCONTRACTOR SUPPLIER CODE PER PRODUCTION PROCESS PROCEDURE (7/14 73535163).
 B. DIVERGENT NUMBER IN LABEL CITEM 14) PER DETAIL-A.
 C. DIVERGENT COUNTRY OF ORIGIN IN APPROXIMATE LOCATION SHOWN (I.E. MADE IN MALAYSIA).
2. ART'X LABEL CITEM 59) TO USB ADAPTER ASSY CITEM 7) IN PLASTIC SHRINK WRAP COMPLETED SHIPPING KIT ASSY.

TITLE	SK, SYNCHRON POWER
D	SRFH USB ADAPTER, FCC
REV	4240-05
DATE	11/14/05
BY	1 OF 1

REV	ECO	DATE	DESCRIPTION
01	0000	07/14/05	INITIAL RELEASE TO SAP
02	2228	...	INITIAL RELEASE FOR SHIPPING