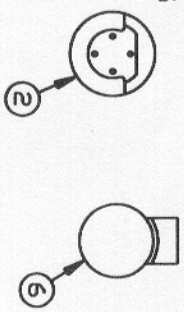
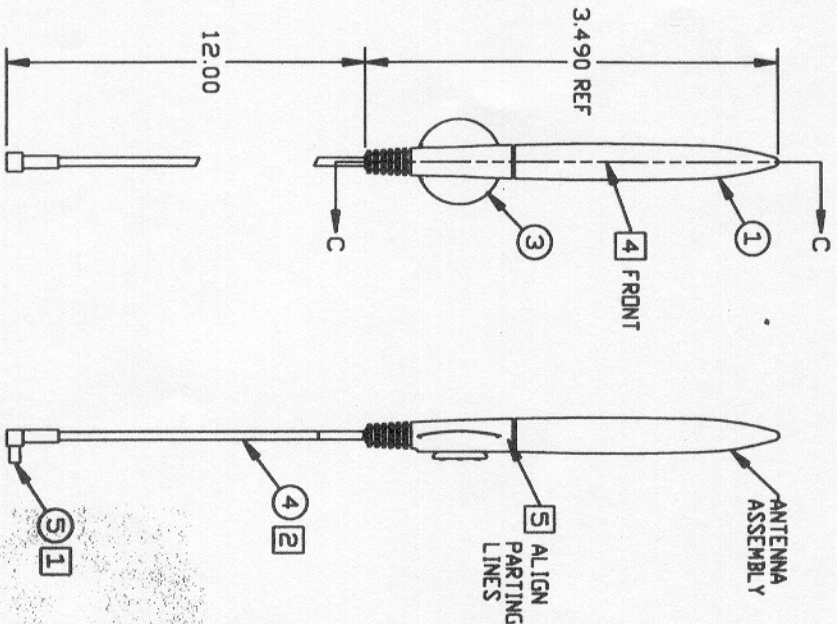


THIS DRAWING CONTAINS PROPRIETARY INFORMATION OF PROXIM AND IS NOT TO BE REPRODUCED OR TRANSMITTED IN ANY FORM OR BY ANY MEANS, ELECTRONIC OR MECHANICAL, WITHOUT THE PRIOR WRITTEN PERMISSION OF PROXIM, AND IS NOT INTENDED FOR USE AS AN EXTERNAL DESIGN SPECIFICATION.

REVISION		BY	APPR
LTR	ECD	DATE	
01	P1014	5/31/96	BETA RELEASE
A	1480	11-8-96	PRODUCTION RELEASE
			TLC
			TLC



SECTION C-C



PNR DATA SHEET
 PART # 1900.0020
 SH. 2 OF 2 REV A

SPECIFICATION TABLE	
FREQUENCY	2.4 TO 2.5 GHZ
VSWR	1.5:1 MAX
NOMINAL IMPEDANCE	50 Ω
PEAK GAIN	1.0 DBI
RADIATION PATTERN	OMNI-DIRECTIONAL
POLARIZATION	VERTICAL
OPERATING TEMPERATURE	-40 TO 85°C
POWER RATING	10 WATTS

TABLE B	
ITEM	PART NO. DESCRIPTION
1	8225.0066 BOOT
2	8225.0068 MOUNTING PLATE
3	8225.0069 ANTENNA BASE W/DOVETAIL
4	6000.0045 CABLE/CORD K TYPE, BLACK
5	2108.0074 RF CORD, MNCX RT ANGLE
6	2500.0024 TAPE, DOUBLE SIDED

- NOTES:
- CONNECTOR TO BE ASSEMBLED AS SHOWN, CENTER PIN FACES THE REAR ±.5°.
 - ITEM 4 SHOULD HAVE NO PART OR MANUFACTURER MARKINGS.
 - ANTENNA ASSEMBLY, ITEM 2, AND ITEM 6 SHOULD BE PACKAGED IN A CLEAR PLASTIC ZIP-LOCK 3" X 4" BAG.
 - ALL FRONT FACING SURFACES TO BE CLASS A COSMETIC SURFACE FINISH. ALL OTHER SURFACES CLASS C FINISH. CLASS A IS DEFINED AS A SURFACE NORMALLY VIEWED BY THE USER. CLASS C IS DEFINED AS A SURFACE SELDOM SEEN BY THE USER.
 - THE PARTING LINE OF ITEM 1 AND ITEM 3 SHOULD BE ALIGNED ±.5°.
 - EACH ANTENNA TO BE TESTED TO MEET SPECIFICATIONS.
 - UNLESS OTHERWISE SPECIFIED, PART SHOULD MEET POMICIA ANTENNA WORKMANSHIP REQUIREMENTS 1900.0032.

DIMENSIONS IN INCHES	
TOLERANCES	xxx ± .10
xxx ± .010	
ANGULAR	± 1°

DRAWN	T CASAREZ	7/21/95
DESIGN	T CASAREZ	7/21/95
MATERIAL		
SEE TABLE B		
FINISH		
SEE NOTE 4		
CHECKED AND APPROVED		

TITLE		ANTENNA, DIPOLE, 2.4 GHZ	
SIZE		RL2 1 PC	
DWG NO.	1900.0020	REV.	A
SCALE	1:1	FILE NAME	19000020
		SHEET	1 OF

