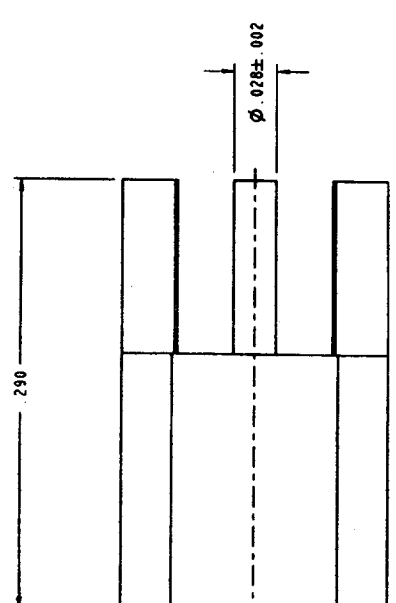


908-22105		REVISIONS	
DRAWING NO.	REV	DESCRIPTION	DATE
THIRD ANGLE PROJ.	A	OFFICIAL ENG. RELEASE TO MFG.	11-12-96
	B	REVISED. SEE E.C.O. FOR DETAILS	12-13-96
			41658
			41670

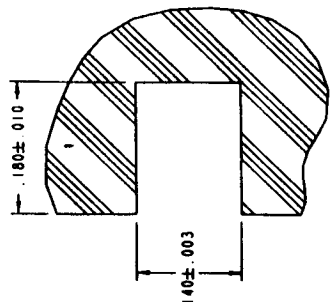
ECO	APPR
BCG	BCG

NOT SCALE THIS DRAWING
MATERIALS OF CONSTRUCTION:

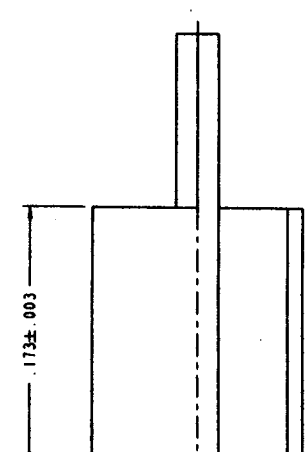
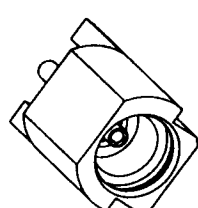
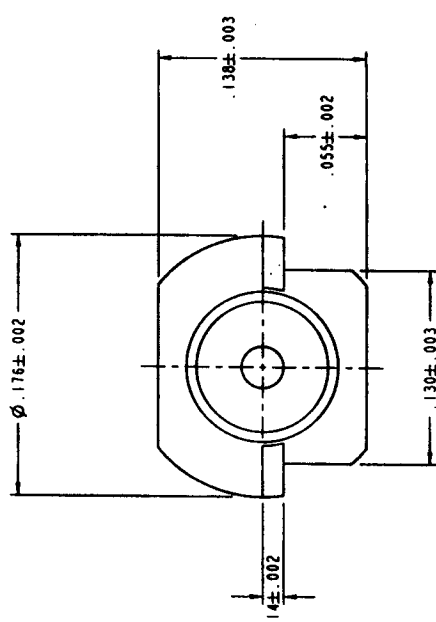
BODY: BRASS, GOLD PLATED
CONTACT: B5CU, GOLD PLATED
INSULATOR: PTFE



MICROMATE FEMALE INTERFACE



OPTIONAL PCB CUTOUT FOR EDGE CARD MOUNTING
SCALE = 6:1



CUSTOMER OUTLINE DRAWING

PNR DATA SHEET
PART # 2103.0106
SH. 2 OF 3 REV D

DRAWN B. GLEISSNER		DATE 07-Nov-96	TITLE MICROMATE (FEMALE) FOR SPECIAL BERG HOUSING #95626-001	Amphenol Amphenol Corporation and Network Products Division Danbury, CT U.S.A. 06810
ENGINEER B. GLEISSNER		DATE 07-Nov-96		
APPROVED B. GLEISSNER		DATE 07-Nov-96		
MATERIAL GEM8 ASSTF3 MMCX GEM8 PCB CUTOUT		CODE ID	DWG SIZE	DRAWING NO
REFERENCE GEM8 ASSTF3 MMCX GEM8 PCB CUTOUT		74868	B	908-22105
SCALE SPECIFIED. DIMENSIONS ARE IN INCHES AND TOLERANCES ARE: DECIMAL ± 0.005 (0.127 mm) 3 PLACE DECIMAL ± 0.001 (0.025 mm) ANGLES ± 1°		SCALE: 12:1 SHEET 2 OF 2		
DRAWING SPECIFICATIONS, OR OTHER DATA (1) ARE, AND REMAIN THE PROPERTY OF AMPHENOL CORP. (2) MUST BE RETURNED UPON REQUEST, AND (3) ARE NOT TO BE DISCLOSED TO ANY PERSON OTHER THAN THOSE TO WHOM THEY ARE SPECIFICALLY INTENDED. THE FURNISHING OF THESE DRAWINGS, SPECIFICATIONS, OR OTHER DATA IS THE PROPERTY OF AMPHENOL CORP. AND IS LOANED TO YOU FOR YOUR USE ONLY. IT IS NOT TO BE REPRODUCED, COPIED, OR TRANSMITTED IN ANY MANNER WITHOUT THE WRITTEN PERMISSION OF AMPHENOL CORP. THE FURNISHING OF THESE DRAWINGS, SPECIFICATIONS, OR OTHER DATA IS THE PROPERTY OF AMPHENOL CORP. AND IS LOANED TO YOU FOR YOUR USE ONLY. IT IS NOT TO BE REPRODUCED, COPIED, OR TRANSMITTED IN ANY MANNER WITHOUT THE WRITTEN PERMISSION OF AMPHENOL CORP.		REV B		