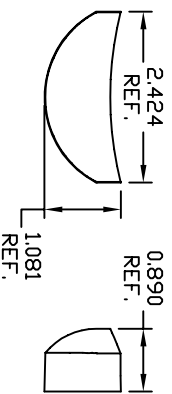
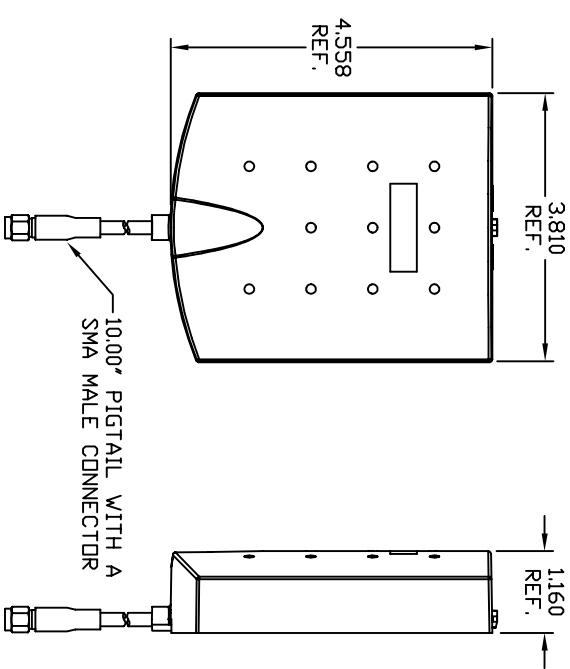


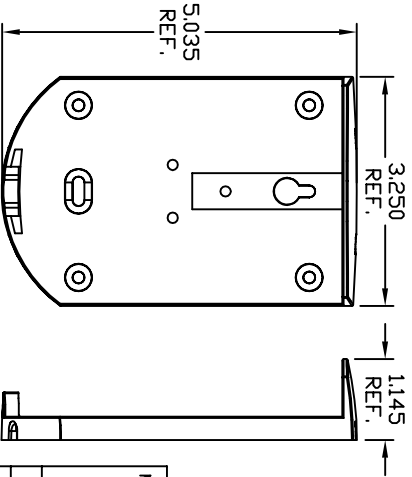
REVISION			
LTR	DESCRIPTION	DATE	INITIAL
AA	ORIGINAL	1-8-02	SMJ
AB	ADDED SPEC. TABLE (CSP#794)	1-10-02	AMA

Parameter	Performance
Frequency	5150-5350 MHz
Gain	12 dBi
Polarization	Linear
VSWR	1.5:1 Max.
Horizontal 3 dB Beamwidth	60°
Vertical 3 dB Beamwidth	30°
Front to Back Ratio	25 dB
RF Connector	SMA male
Power	25 Watts
Weight	5 oz
Radome Color	Gray



WALL MOUNT SKIRT

NOTES:  
1. ALL DIMENSIONS ARE REFERENCE



WALL MOUNT

CONFIDENTIAL  
© 2001, Cushman Corporation. Information contained in this document is of a proprietary and/or legally privileged nature. It may not be reproduced without express written permission of Cushman Corporation, Manchester, NH.

MATERIAL:		DO NOT SCALE DRAWING	
UNLESS OTHERWISE SPECIFIED TOLERANCES ARE:		ANGLES ± 0.5°	
FRACTIONS ± 1/64"		XX ± 0.010"	
.XXX ± 0.005"		FINISH:	
DRAWN	DATE	ENGINEERING MGR	DATE
S JOHNSON	1-8-02	A ALEVY	1-8-02
ENGINEER	DATE	DRAWING NO.	
J MORROW	1-8-02	S51512MP10SMMO	
TITLE:		REV	
CUSHCRAFT		AB	
48 PERIMETER ROAD MANCHESTER NH 03108		SCALE 1:2	
S51512MP10SMM		SIZE A	
MOUNTING & OUTLINE		1 OF 1	

# MOBILE MARK<sup>®</sup>

## COMMUNICATIONS ANTENNAS

3900-B RIVER ROAD, SCHILLER PARK, IL 60176  
 PHONE: (847) 671-6690 \* FAX (847) 671-6715  
 VISIT OUR WEBSITE AT WWW.MOBILEMARK.COM

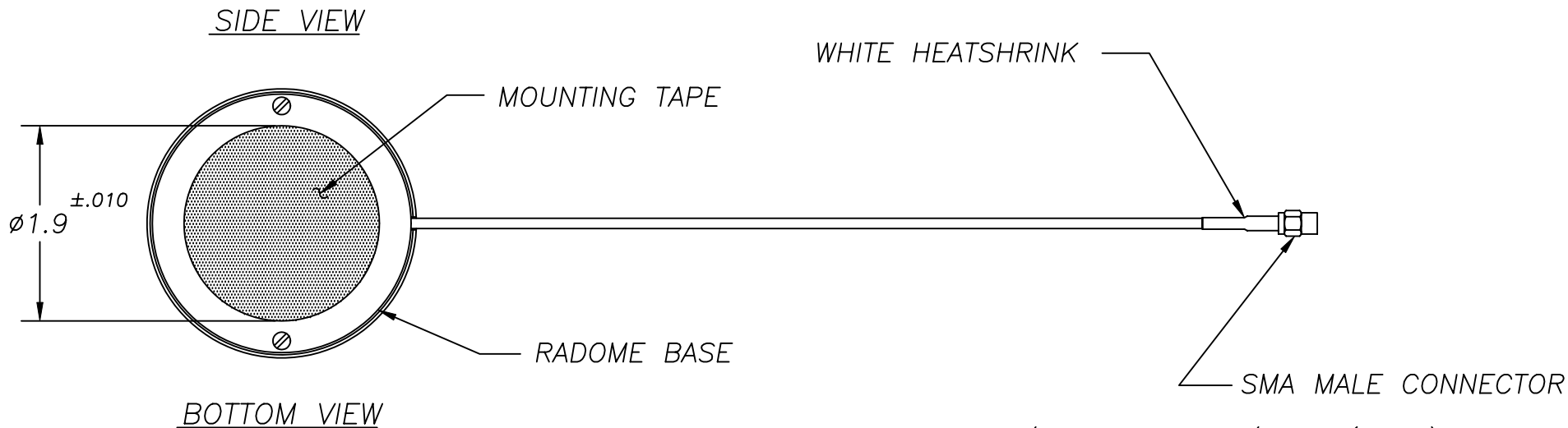
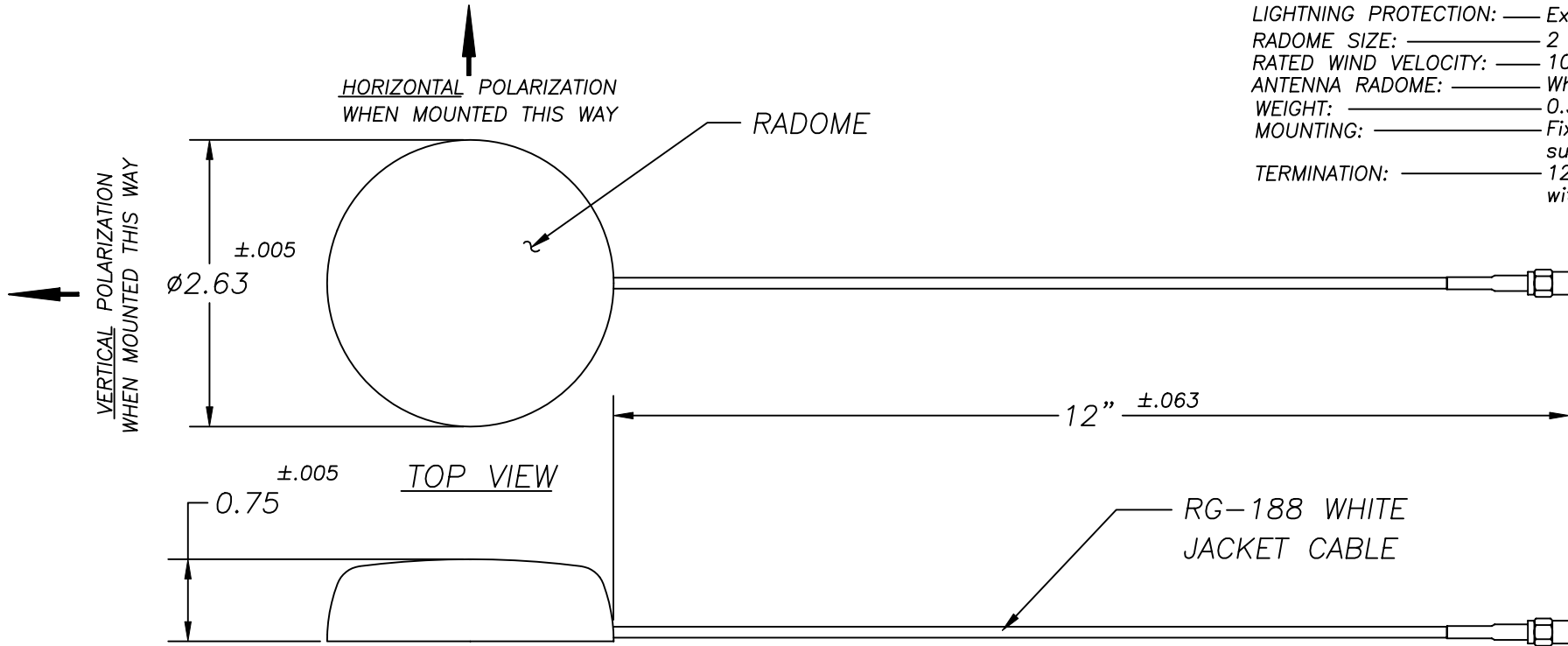
# BP7-5250

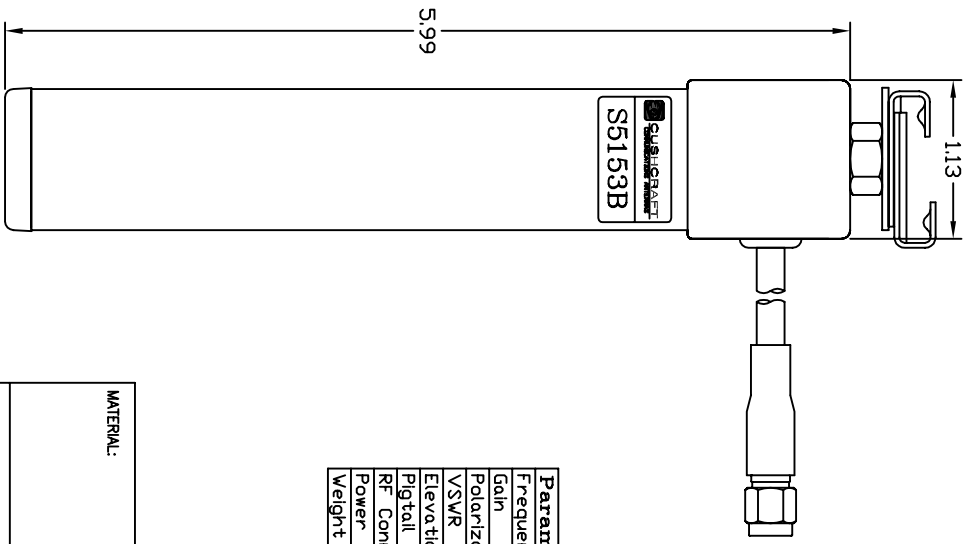
## Button Patch Antenna

### 7 dBi Gain, 5.15 - 5.35 GHz

### ANTENNA SPECIFICATIONS:

- VSWR: \_\_\_\_\_ 2:1 Maximum
- IMPEDANCE: \_\_\_\_\_ 50 Ohm nominal
- MAXIMUM POWER: \_\_\_\_\_ 50 watts
- BEAMWIDTH: \_\_\_\_\_ 80° AZ, 60° EL
- FRONT TO BACK RATIO: \_\_\_\_\_ 15 dB
- LIGHTNING PROTECTION: \_\_\_\_\_ External recommended
- RADOME SIZE: \_\_\_\_\_ 2 5/8" x 3/4" deep
- RATED WIND VELOCITY: \_\_\_\_\_ 100 mph
- ANTENNA RADOME: \_\_\_\_\_ White Polycarbonate
- WEIGHT: \_\_\_\_\_ 0.5 lbs.
- MOUNTING: \_\_\_\_\_ Fixed double sided tape, surface mouting only.
- TERMINATION: \_\_\_\_\_ 12" RG-188 cable with SMA male connector





REVISION			
LTR	DESCRIPTION	DATE	INITIAL
AA	ORIGINAL	1-8-02	SMJ

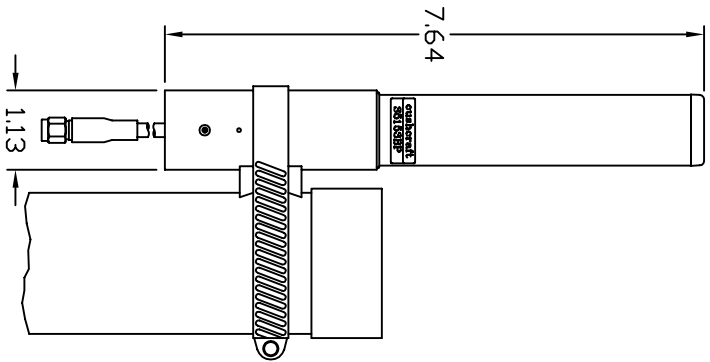
Parameter	Performance
Frequency	5150-5350 MHz
Gain	5 dBi
Polarization	Linear Vertical
VSWR	1.5:1
Elevation Plane	30 Degrees
Pigtail	7' Cable
RF Connector	SMA (male)
Power	20 Watts
Weight	2 oz.

MATERIAL:		DRAWN		DATE	
		S JOHNSON		1-8-02	
		ENGINEER		DATE	
DO NOT SCALE DRAWING		ENGINEERING MGR		DATE	
UNLESS OTHERWISE SPECIFIED					
TOLERANCES ARE:					
ANGLES ± 0.5°					
FRACTIONS ± 1/64"					
XX ± 0.010"					
.XXX ± 0.005"					
DRAWING NO.		TITLE:		REV	
S5153BH7SM		MOUNTING & OUTLINE		AA	
SCALE 1:1		SIZE A		SHEET 1 OF 1	

CONFIDENTIAL  
 © 2001, CUSHCRAFT Corporation. Information contained in this document is of a proprietary and/or legally privileged nature. It may not be reproduced without express written permission of CUSHCRAFT Corporation, Manchester, NH.

REVISION			
LTR	DESCRIPTION	DATE	INITIAL
AA	ORIGINAL	1-8-02	SMW

Parameter	Performance
Frequency	5150-5350 MHz
Gain	5 dBi
Polarization	Linear Vertical
VSWR	1.5:1
Elevation Plane 3 dB Beamwidth	30 Degrees
Pigtail	5' Cable
RF Connector	SMA (male)
Power	20 Watts
Weight	4 oz.



MATERIAL: \_\_\_\_\_

DRAWN S JOHNSON 1-8-02  
ENGINEER DATE

ENGINEERING MGR DATE

FINISH:

DO NOT SCALE DRAWING  
UNLESS OTHERWISE SPECIFIED  
TOLERANCES ARE:  
ANGLES ± 0.5°  
FRACTIONS ± 1/164"  
XX ± 0.010"  
XXX ± 0.005"

**CUSHCRAFT**  
48 PERIMETER ROAD MANCHESTER NH, 03108

TITLE:  
**S5153BP55MM  
MOUNTING & OUTLINE**

DRAWING NO. S5153BP55MMMO  
SCALE 1:2 SIZE A SHEET 1 OF 1

CONFIDENTIAL  
© 2001, Cushcraft Corporation. Information contained in this document is of a proprietary and/or legally privileged nature. It may not be reproduced without express written permission of Cushcraft Corporation, Manchester, NH.