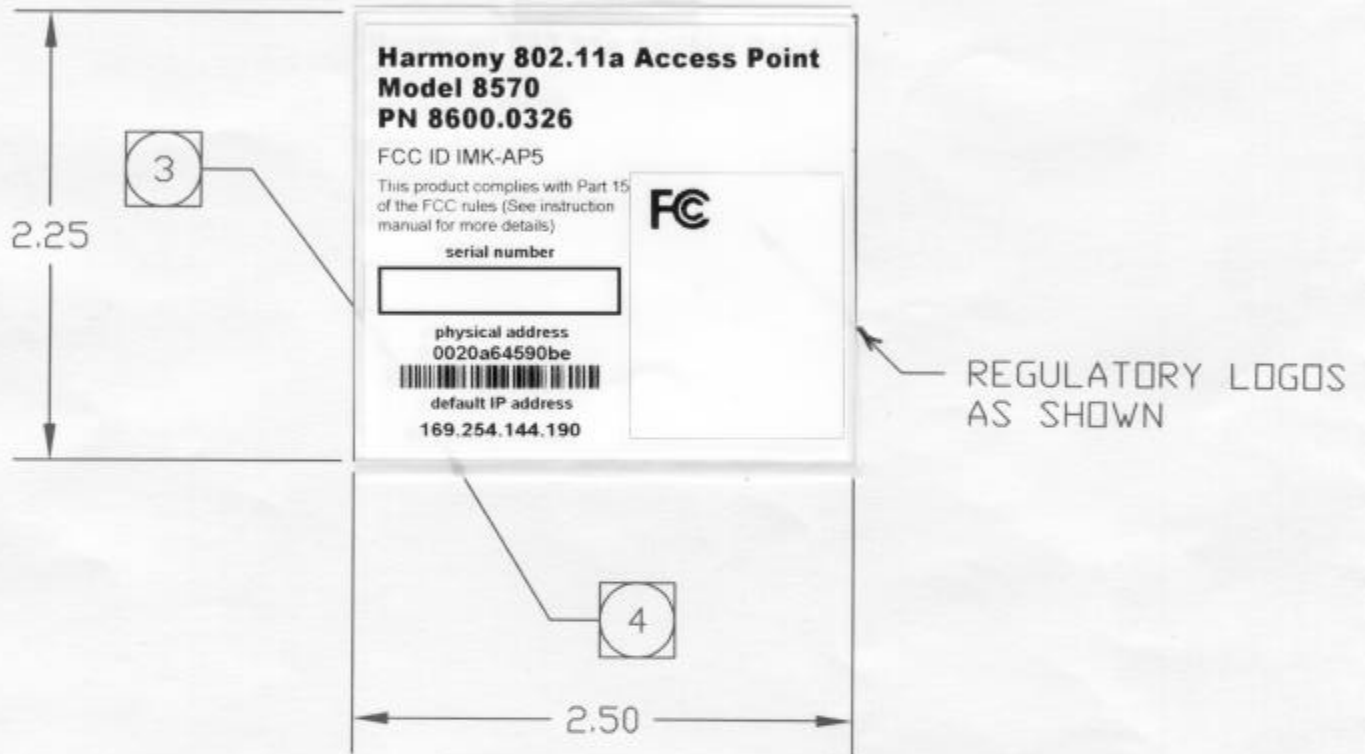


THIS DRAWING CONTAINS PROPRIETARY INFORMATION OF PROXIM AND MAY NOT, IN WHOLE OR IN PART BE DUPLICATED, DISCLOSED OR USED FOR MANUFACTURE OF ANY PART DESCRIBED HEREIN WITHOUT THE PRIOR WRITTEN PERMISSION OF PROXIM; AND IS NOT INTENDED FOR USE AS AN EXTERNAL DESIGN SPECIFICATION.



NOTES: UNLESS OTHERWISE SPECIFIED

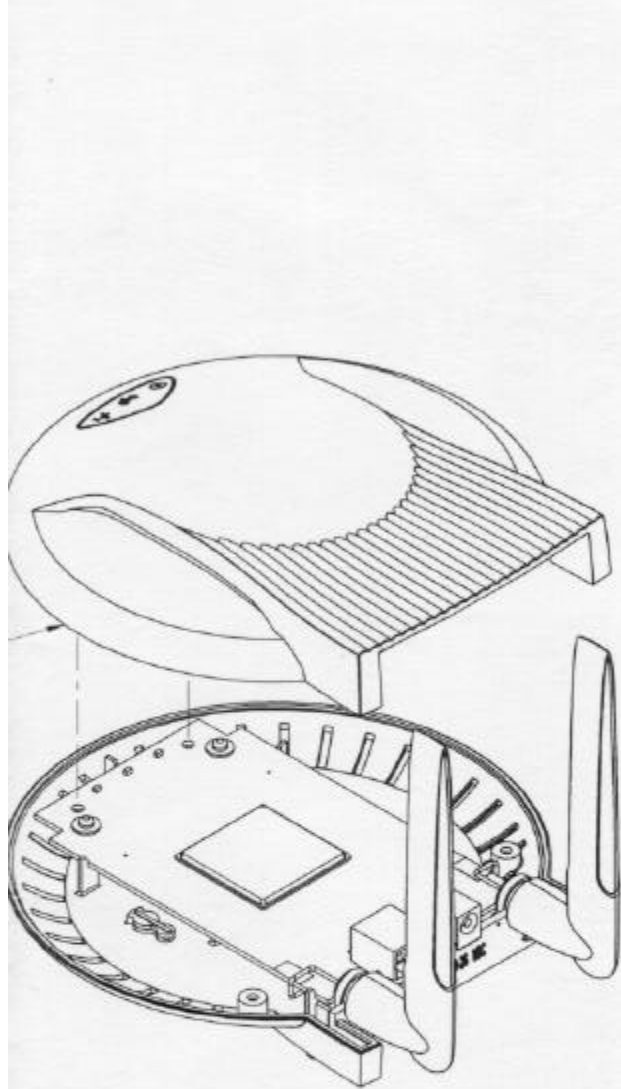
1. ALL TEXT (ARIAL 6 PT FONT) AND GRAPHICS SHALL BE BLACK.
2. ALL LINE WEIGHT .020 THICK WITH DIMENSIONS TAKEN FROM CENTER OF LINE WIDTH.

3 PHYSICAL ADDRESS TEXT IS DEFINED BY THE PRINTED CIRCUIT ASSEMBLY PHYSICAL ADDRESS LABEL.

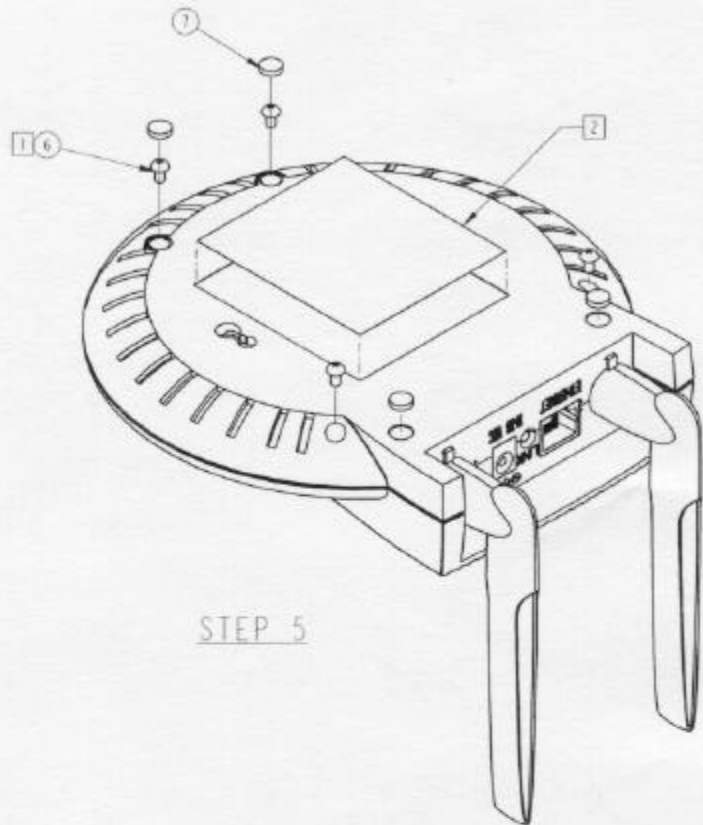
4 DEFAULT IP ADDRESS TEXT IS DEFINED BY CONVERTING THE LAST FOUR DIGITS OF THE PHYSICAL ADDRESS TO A DECIMAL EQUIVALENT, EXAMPLE; ac de = 172.222.

5. FOR TEXT AND GRAPHICS USE ARTWORK PROVIDED BY PROXIM.

REVISION					
LN	ECO	DATE	DESCRIPTION	BY	APPV
X1	PS116	-	PRELIMINARY	LN	
X2	-	-	ADDING PC CARD TO BOM	LN	
O1	-	-	ADDING NEW ANTENNA, INITIAL RELEASE	LN	
O2	-	-	ADDING LABEL	LN	



STEP 4



STEP 5

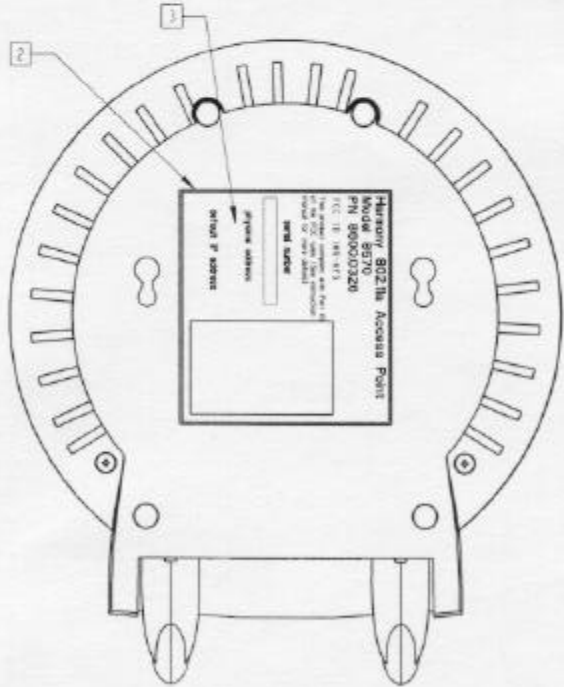


TABLE A 1		
TORQUE VALUES		
ITEM #	DESCRIPTION	TORQUE (IN-LBS)
6	M10X5MM THREAD FORMING SCREW	2.5 - 3.0

CHECK DIMENSIONS SPECIFIED DIMENSIONS ARE IN INCHES UNLESS NOTED 1/2" = 12.7MM 1/16" = 1.5875MM BREAK ALL SHARP EDGES REMOVE BURRS MACHINE SURFACES UNMOUNTED SURFACES AFTER FINISH DO NOT OIL OR GRIND	DRAWN: L. NICOLI 8/18/01 DESIGN: L. NICOLI 8/18/01 MATERIAL:		
	FINISH:	TITLE: ASSY. MINIAP, 5.2GHZ, W/INTEGRAL ANTENNAS	
	CHECKED AND APPROVED:	FILED NO: 8600.0326	REV: 02
	SCALE: N/A	FILED NAME: 8600.0326	SHEET 1 OF 1