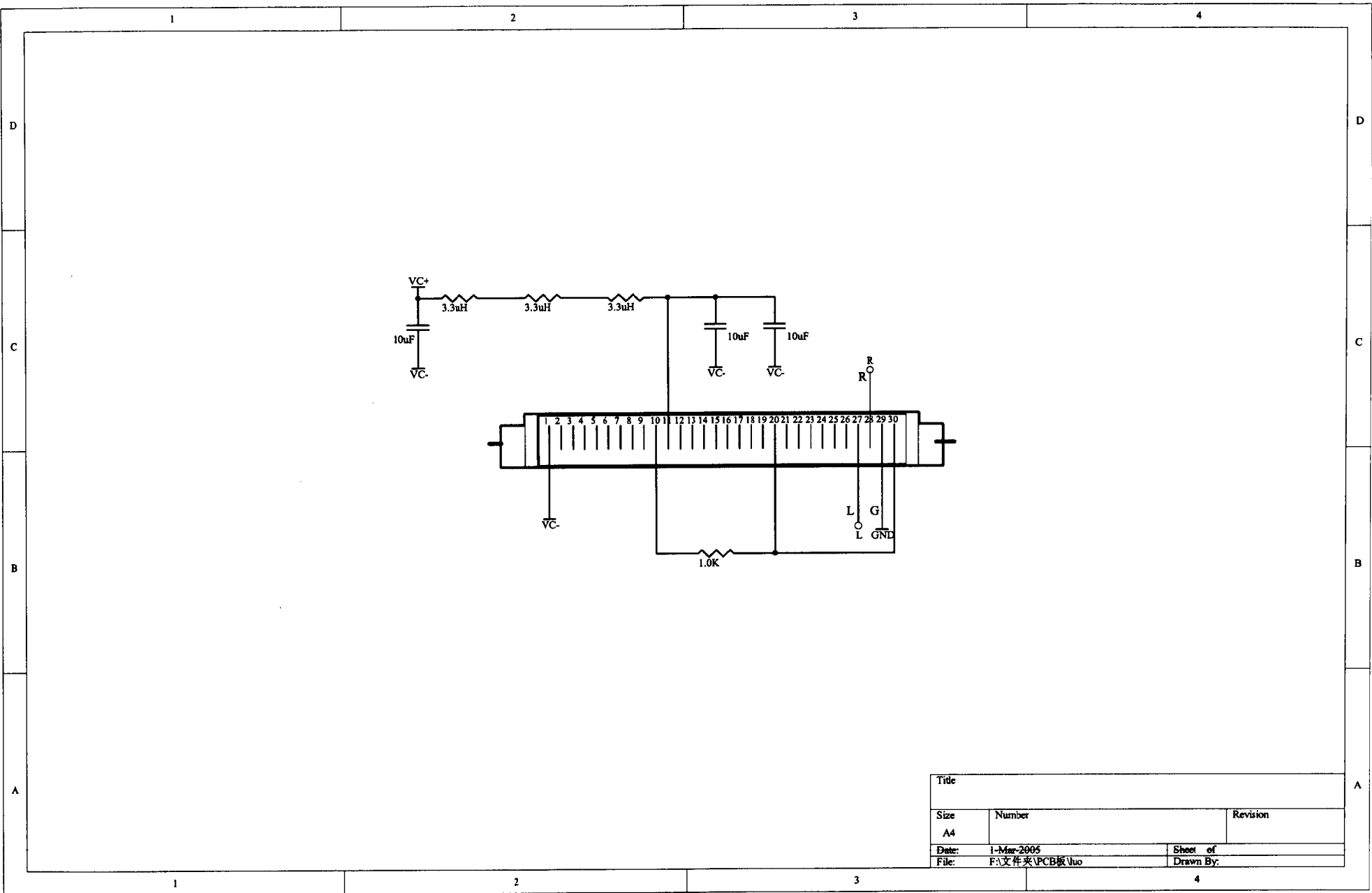


|       |                 |           |
|-------|-----------------|-----------|
| Title |                 |           |
| Size  | Number          | Revision  |
| A4    |                 |           |
| Date: | 1-Mar-2005      | Sheet of  |
| File: | F:\文件夹\PCB板\Uuo | Drawn By: |



|       |                 |           |
|-------|-----------------|-----------|
| Title |                 |           |
| Size  | Number          | Revision  |
| A4    |                 |           |
| Date: | 1-Mar-2005      | Sheet of  |
| File: | F:\文件夹\PCB板\luo | Drawn By: |