



TUNEIT™
FMTD3PRO

FM TRANSMITTER
WITH USB CHARGER & FLEX-NECK

FEATURES

- Easy plug and play
- Universal 3.5mm headphone jack
- Flexible goose neck
- Easy to read LCD display
- 3 Presets for quick tuning
- Wide range frequency: 88.1 - 107.9
- Connect to most portable devices
- Direct plug-in to most 12v sockets or Cigarette lighter
- Easy to tune buttons
- USB 5V recharge to most mobile devices
- 12 Watt (2.4A) fastest-charge circuitry

SPECIFICATIONS

Voltage Power: 12V DC Power
Frequency Response: 20Hz - 15kHz
Display: Reverse graphics backlight LCD

Input Interface: 3.5mm Auxiliary Input
Recharge Interface: 12W USB Port
Fuse protection: 3A Fuse (exchangeable)

OPERATION

Please refer to Figure 2 on page 2 for location of numbered parts.

1. Plug the **TUNEIT** power plug (1) into the 12V socket or cigarette lighter on the vehicle. Adjust the LCD display (8) to a suitable viewing angle by bending the goose neck (3). Ensure that the **TUNEIT** is secured and connected properly to your 12V socket.
2. Plug the 3.5mm AUX-IN input (2) into the headphone jack on your portable device. The **TUNEIT**'s 3.5 mm input needs to be plugged into the portable device in order for it to transmit music to the car stereo.
3. Use the power button (7) on the back of the UNIT to turn on and off.
4. Use the SCAN UP / DN buttons (10 & 9) to adjust to the desired FM frequency on the unit.
5. Tune the FM frequency on your radio to the same frequency on the **TUNEIT**. The selected frequency will be shown on UNIT's display (8).
6. Adjust the volume of the portable device to 75%. Ensure that volume output is not too loud on the portable device as it may cause the audio to sound distorted. The music will be transmitted from the **TUNEIT** to the car stereo through the FM channel selected.

NOTE: For the best result, choose an FM station that has a weak signal or no signal at all. The weaker the signal the stronger the audio transmission from the **tuneIT**.

STORING STATION PRESETS

For convenience, store up to 3 preset FM stations on the **TUNEIT**. This feature allows you to recall known stations that give the best performance.

1. Tune to a desired station by using the SCAN UP/DN buttons.
2. When a desired FM frequency is shown on the display, press the SET button on the right side of the **TUNEIT** once (Figure 3, page 2).
3. Choose the desired memory station that you prefer by pressing the MEM button on the right side of the **TUNEIT** once (Figure 4, page 2). The order is: CH1 - CH2 - CH3 - CH1 again.
4. Once you have selected the desired memory channel number, press the SET button (6). The desired frequency will be stored to that memory channel number (Figure 5, page 2).
5. Tune the next frequency that you wish to store by repeating steps 1-4. Keep in mind that the **TUNEIT** only stores 3 pre-set FM stations.

NOTE: To change preset stations please repeat steps 1-4 as described above.

RECALLING PRESET STATIONS

1. Press the MEM button (5) on the right hand side to select the desired preset station.
2. The first preset channel will be shown on the display to show which station being selected.
3. Press the MEM button (5) to scroll through the FM preset stations.

NOTE: To change preset stations, refer back to 'STORING PRESET STATIONS'. Repeat steps 1-4.

RECHARGING FUNCTION

1. The **TUNEIT** has a built-in 12 watt (2.4A) USB port that can recharge your device at the fastest rate possible.
2. Simply connect the **TUNEIT** to your mobile device with a USB 2.0 socket cable*, and your mobile device begins charging. Once connected, the display on the **TUNEIT** shows a blinking Battery symbol** (Figure 6, page 2).
3. When the **TUNEIT** disconnects from your mobile device, the Battery symbol turns off.

NOTE:

- * A USB cable is not provided. Users need to use their own cables for charging.
- ** Power level doesn't show on the **TUNEIT** display. Users must check power level on their device. Some mobile devices with recharge circuit protection may also deactivate the **TUNEIT**'s Battery symbol, which cannot be shown during charging. Users need to check their device for charging status.

FLEX VIEWS

The LCD screen can be adjusted to the desired viewing angle in any direction by bending the flexible supporting tube (Figure 1).

LES ANGLES DE FLEXIBILITÉ

L'écran ACL peut être réglé à l'angle de vision désiré dans n'importe quelle direction en courbant le tube de support flexible (Figure 1).

VISTAS DE FLEXIBILIDAD

La pantalla de cuarzo líquido (LCD) puede regularse al ángulo de visión deseado y en cualquier doblando el tubo flexible de soporte (Figura 1).

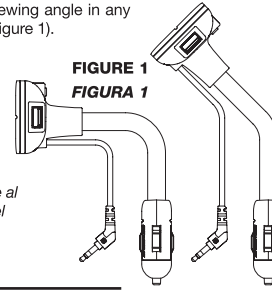


FIGURE 1
FIGURA 1

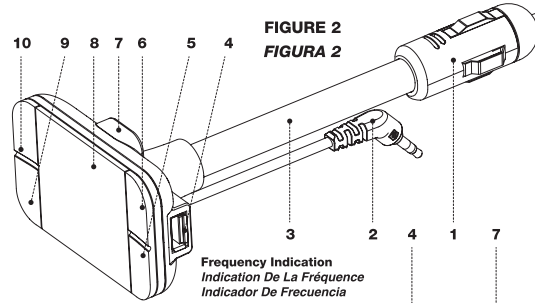


FIGURE 2
FIGURA 2



Channel Indication
Indication Du Canal
Indicador De Canal

Frequency Indication
Indication De La Fréquence
Indicador De Frecuencia

- | | | |
|----------------------------|--------------------------|---|
| 1. 12V POWER PLUG* | PRISE ÉLECTRIQUE 12V* | TOMACORRIENTE DE 12V* |
| 2. AUX-IN 3.5MM INPUT | ENTRÉE AUX-IN 3,5MM | ENTRADA AUX DE 3,5MM |
| 3. FLEXIBLE GOOSE NECK | COL DE CYGNE FLEXIBLE | SOPORTE LARGO FLEXIBLE (Tipo Cuello de Ganso) |
| 4. 12 WATT (2.4A) USB PORT | PORT USB 12 WATT (2,4 A) | PUERTO USB 12 WATT (2,4 A) |
| 5. MEMORY | MÉMOIRE | MEMORIZAR |
| 6. SET | RÉGLAGE | SELECCIONAR |
| 7. POWER | ALIMENTATION | INTERRUPTOR |
| 8. LCD SCREEN | ÉCRAN ACL | PANTALLA: CUARZO LÍQUIDO (LCD) |
| 9. SCAN DOWN | BALAYAGE VERS LE BAS | DEL. DE FREQ. INF. |
| 10. SCAN UP | BALAYAGE VERS LE HAUT | SEL. DE FREQ. SUP. |

*Vehicle 12v socket size may vary!

*La taille de la prise 12 V des véhicules peut varier!

*El tomacorriente de 12V del vehículo puede variar!



FIGURE 3 FIGURA 3



FIGURE 4 FIGURA 4



FIGURE 5 FIGURA 5



FIGURE 6 FIGURA 6

Connect to mobile devices for charging
Connectez vers les dispositifs mobiles pour charger
Conéctela a dispositivos móviles para cargarlos

Blinking battery symbol
Symbole de pile clignotant
Símbolo de batería parpadeante

TROUBLESHOOTING

NO SOUND	- Increase the volume level on your portable device - Check your car audio radio volume - Make sure the AUX-IN is fitted properly to your device - Make sure the selected channel frequency is properly matched to the stereo
NO POWER	- Double check to see that the FM transmitter is properly plugged into the 12v socket or cigarette lighter
NO SIGNAL	- Make sure the power switch on the portable device is switched on. - Make sure the FM transmitter power is on, and the car stereo is tuned to the same channel frequency as the FM transmitter

INFORMATION TO USER

The user manual or instruction manual for an intentional or unintentional radiator shall caution the user that changes or modifications not expressly approved by the party responsible for compliance could void the user's authority to operate the equipment. In cases where the manual is provided only in a form other than paper, such as on a computer disk or over the internet, the information required by this section may be included in the manual in that alternative form, provided the user can reasonably be expected to have the capability to access information in that form.

FCC STATEMENT

This device complies with Part 15 of the FCC Rules. Operation is subject to the following two conditions: (1) this device may not cause harmful interference, and (2) this device must accept any interference received, including interference that may cause undesired operation.

Warning: Changes or modifications to this unit not expressly approved by the party responsible for compliance could void the user's authority to operate the equipment.

NOTE: This equipment has been tested and found to comply with the limits for a Class B digital device, pursuant to Part 15 of the FCC Rules. These limits are designed to provide reasonable protection against harmful interference in a residential installation. This equipment generates, uses and can radiate radio frequency energy and, if not installed and used in accordance with the instructions, may cause harmful interference to radio communications.

However, there is no guarantee that interference will not occur in a particular installation. If this equipment does cause harmful interference to radio or television reception, which can be determined by turning the equipment off and on, the user is encouraged to try to correct the interference by one or more of the following measures:

- Reorient or relocate the receiving antenna.
- Increase the separation between the equipment and receiver.
- Connect the equipment into an outlet on a circuit different from that to which the receiver is connected.
- Consult the dealer or an experienced radio/TV technician for help.

FCC ID: IKQFMTD3PRO

IC NOTE

This device complies with Industry Canada licence-exempt RSS-210. Operation is subject to the following two conditions: (1) this device may not cause interference, and (2) this device must accept any interference, including interference that may cause undesired operation of the device.

IC: 6955A-FMTD3PRO

LIMITED WARRANTY

Scosche Industries Inc. warrants this product to be free from defects in material and workmanship for a period of 1 year from purchase. This Scosche product is sold with the understanding that the purchaser has independently determined the suitability of this product. This warranty is offered to the original purchaser of the product only. This warranty does not cover the product if physically damaged, subject to negligence or misuse, abuse, alteration, accident, or an act of GOD. This warranty does not apply to product which has water or physically damaged by accident or which has been misused, disassembled or altered.

The original dates sales slip or proof of purchase will establish warranty eligibility. If the product should prove defective within the warranty period, return the product with proof of purchase to Scosche Industries Inc. Scosche, at its option, will replace or repair the product free of charge and return the product postage paid.

In no event shall Scosche Industries, Inc. be responsible for claims beyond the replacement value of the defective product or in any way be liable or responsible for consequential or incidental damages. No express warranties and no implied warranties, whether for fitness or any particular use or otherwise, except as set forth above (which is made expressly in lieu of all other warranties) shall apply to products sold by Scosche. Scosche Industries cannot be held responsible for discrepancies/inconsistencies that may occur due to automotive manufacturing changes or option.

For All Australian Sales

This document details the terms and conditions of the warranty provided with this product. Please disregard any other representations contained on this product's packaging or provided with this product which constitute or appear to constitute a warranty.

This warranty is offered by Scosche Industries, 1550 Pacific Ave, Oxnard, CA 93033 United States. We can be called on 1 (805) 486 4450 or emailed at sales@scosche.com

Subject to the exclusions and limitations set out below, we warrant to you that if you purchase a product directly from us, or from any of our authorized resellers, that it will not contain defects which are a result of faulty manufacturer workmanship or materials. This warranty subsists for 1 year from the date of purchase.

Subject to any rights you have under the Australian Consumer Law, we will not be liable for defects which are a result of damage or loss caused by factors beyond our control, any product which has not been maintained according to any care or maintenance instructions provided with the product, any alterations to a product which are not performed by us, or damage or defects caused to the product due to unusual or non-recommended use. We will not be liable for any special, indirect, consequential or economic loss or damage or loss of profits whatsoever suffered by you or any other person resulting from any act or omission by us.

Our total liability in respect of this Warranty against Defects is limited to the replacement of the goods. Any claim made under this warranty must be made by contacting Scosche Industries. Scosche will then put you in touch with the closest company to you that will cover warranties. All Returns of defective product will be sent at your expense, to be exchanged for a replacement.

This Warranty against Defects is provided in addition to other rights and remedies that you may have at law. Our goods come with guarantees that cannot be excluded under the Australian Consumer Law. You are entitled to a replacement or refund for a major failure and for compensation for any reasonably foreseeable loss or damage. You are also entitled to have the goods repaired or replaced if the goods fail to be of acceptable quality and the failure does not amount to major failure.



IMPORTANT!
DO NOT RETURN PRODUCT TO THE RETAILER
IF YOU NEED ASSISTANCE OR REPLACEMENT PARTS
CALL US TOLL FREE: 1-800-621-3695 X3
HOURS MON-FRI 8AM-5:30PM (PST) SATURDAY 8AM-2PM (PST)