

INTERTEK TESTING SERVICE

Report No.: 17070951HKG-001

Equipment Photographs

(Label)



INTERTEK TESTING SERVICE

Report No.: 17070951HKG-001

Equipment Photographs

(External)



INTERTEK TESTING SERVICE

Report No.: 17070951HKG-001

Equipment Photographs

(External)

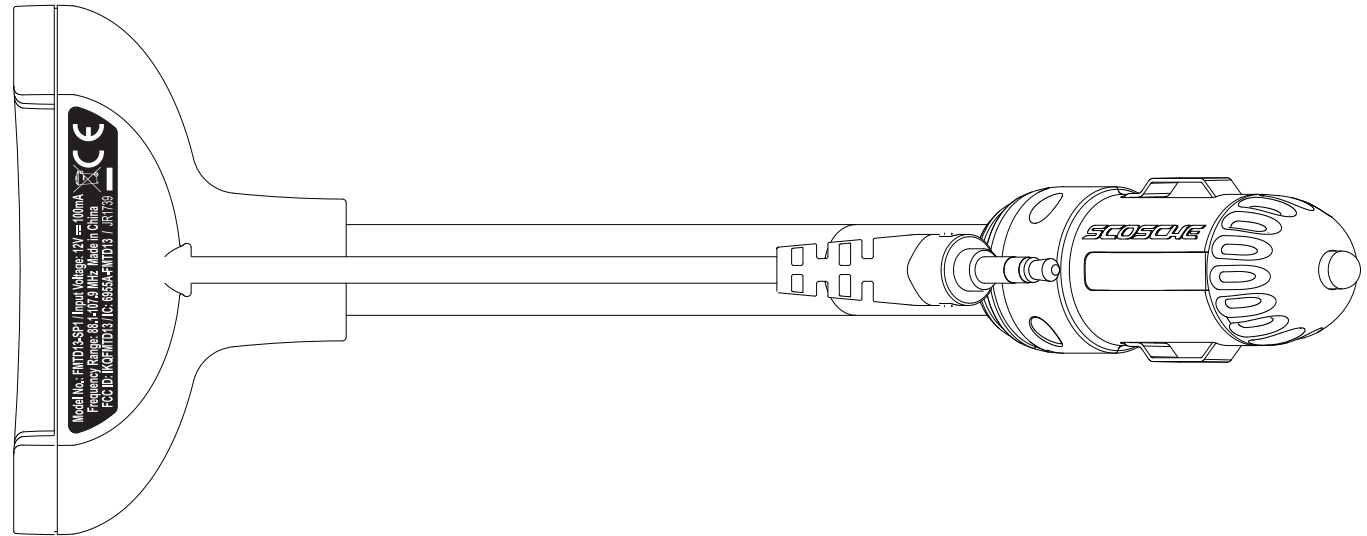
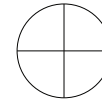
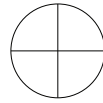




PHML®
PH Marketing Limited

Customer	Scosche
Project	FMTD13
Item	rating label artwork/spec
Ref.	PH830-rating-170804
Scale	1:1
Date	04 Aug 2017
Contact	ph@phml.hk

- rating label
- self adhesive white label
- white out graphic printing
 - Arial reg 5.5pts
 - 43W x 6.5H mm





PHML[®]
PH Marketing Limited

Customer	Scosche
Project	FMTD13
Item	rating label artwork/spec
Ref.	PH830-rating-170819
Scale	1:1
Date	19 Aug 2017
Contact	ph@phml.hk

Model No.: FMTD13 / Input Voltage: 12V \approx 100mA
 Frequency Range: 88.1-107.9 MHz Made in China
 FCC ID: IKQFMTD13 / IC: 6955A-FMTD13 / JR1745 

