

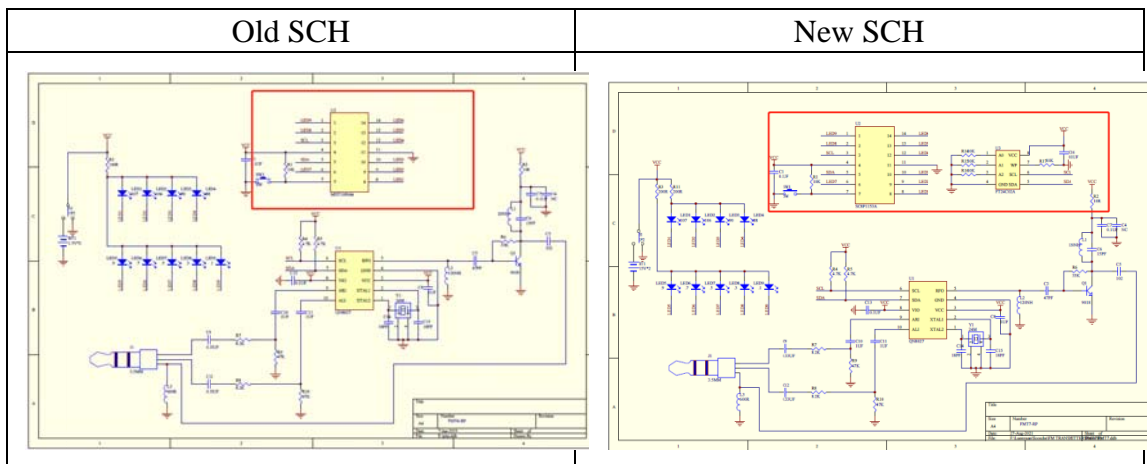
Scosche Industries Inc

Equipment Autorisation Division
Federal Communications Commission
7435 Oakland Mills Road
Columbia, MD 21046

Subject: Request to Class II permissive change
FCC ID:IKQFMT6A
IC:6955A-FMT6A

To Whom It May Concern:

The purpose of this letter is requesting to change the schematic and PCB layout and add three models(FMT4-2,FMT6-2,FMT7-1, All models have the same electrical properties), The changes do not affect RF transmission originally granted on 01 Mar 2019 for FCC and 01 Mar 2019 for IC.



Please contact me 1f you have any questions or need further information regarding this application.

Best Regards,



Name: Mark Larson
Title: Product Manager
Company name: Scosche Industries Inc..
Date: 2021-09-30