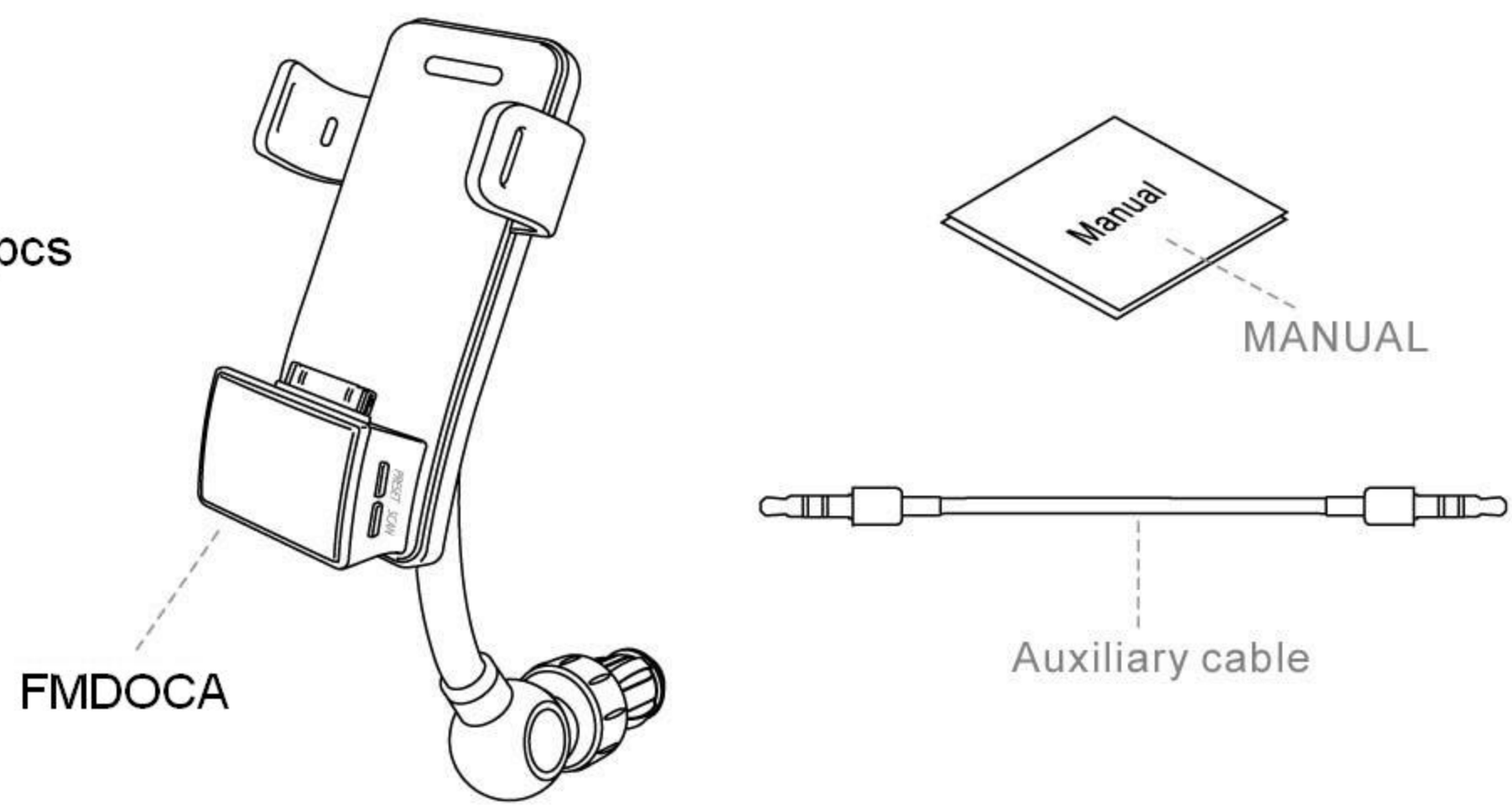


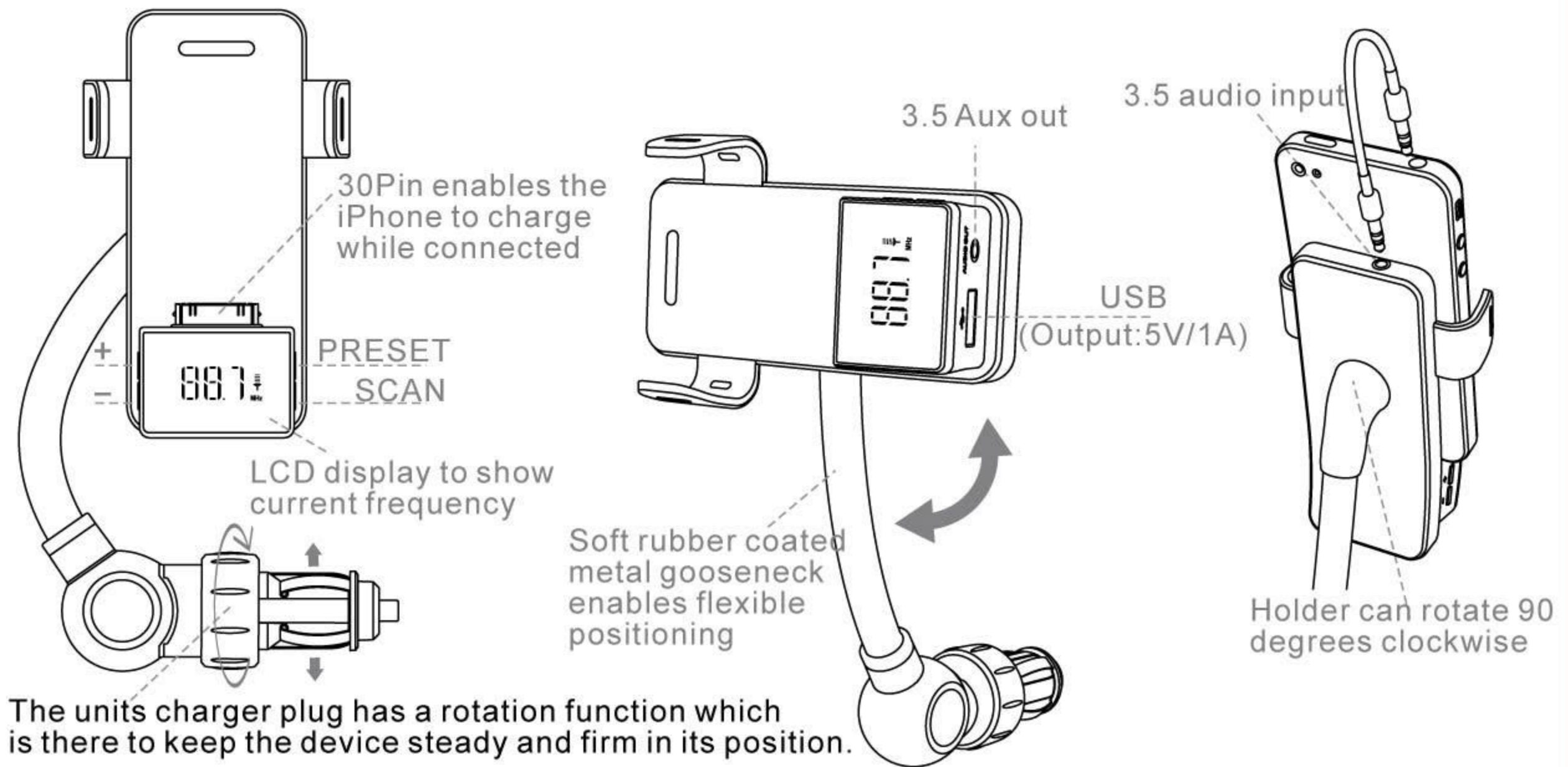
110.00 mm

FMDOCA User Manual

FMDOCA: 1pcs
Manual: 1pcs
Auxiliary cable: 1pcs



55.00 mm



Turning on the Unit

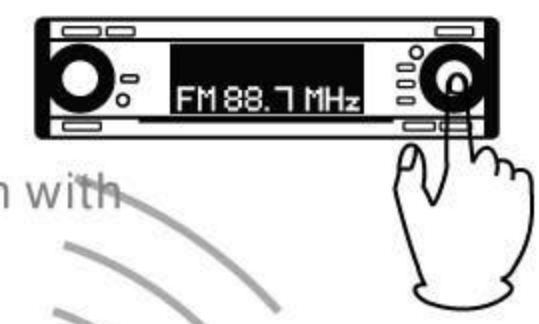
Insert the Cigarette plug on FMDOCA into the Car Cigarette Lighter socket, spin the lock on the plug to make sure that position is locked. Flex the gooseneck into a position that is suitable for you to use. Place the unit onto the clamp of FMDOCA and connect the 3.5mm Aux cable. Once you start up the car, FMDOCA will be automatically turned on.

Using the Music player

When iPhone is connected to the 30pin, FMDOCA can be used to charge iPhone, and the 3.5mm Audio cable can be used to connect iPhone with FMDOCA to enable your listening to music in iPhone through car speaker via FM transmitting, and handsfree calling and talking. iPod can also be connected with FMDOCA to enable charging while listening to music in iPod through car stereo system.

Adjusting frequency channel

Push '+' and '-' key to change frequency channel (it is recommended to use a blank frequency that is unused), or push 'Scan' for autoscan (for more information please see below), adjust the frequency on car radio system to match with the one shown on FMDOCA LCD display. Hold '+' and '-' to change frequency faster for easy setting.



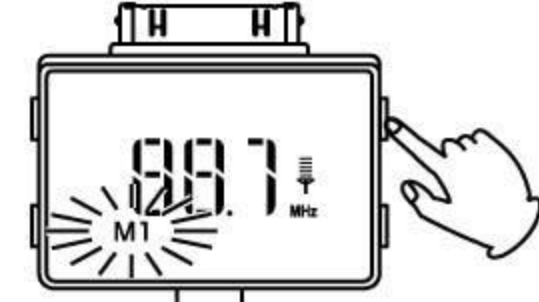
Autoscan

When there is interference, push 'Scan' key, FMDOCA will automatically search for channel with the least interference for the best performance.



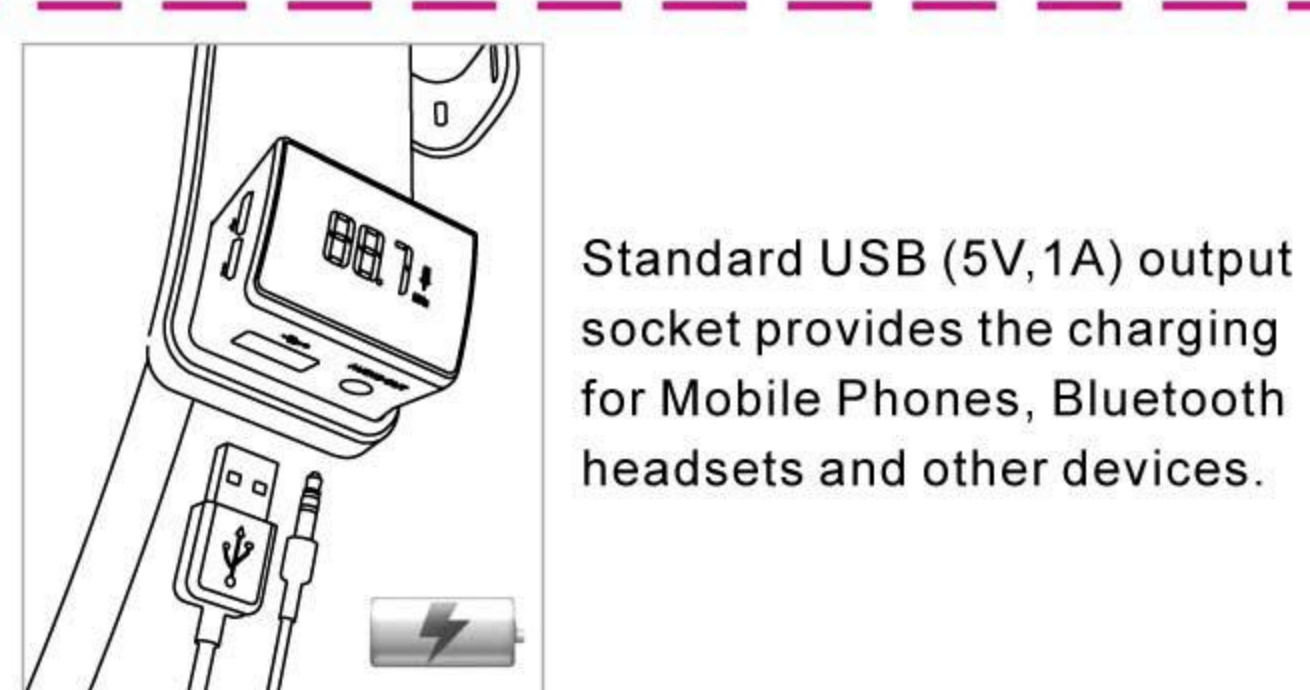
Storing frequency in memory

In order to store the frequency channel in memory, firstly select the desired frequency channel, then hold 'Preset' button for 3 seconds, you will see a sign 'M1' flashing on the LCD screen. Push 'Preset' key again to store the frequency channel. FMDOCA have total 4 slots for saving preset channels with different slot names M1, M2, M3 and M4. You can change slots by pushing '+' and '-' key. To use the saved frequency, just push 'Preset' to automatically tune to it.



Adjusting signal power

FMDOCA comes with 2 signal standard, the first one is based on Country Standard, the second is Industrial Standard. When the unit is connected, hold 'Preset' and '+' keys, then turn on the car, after the unit is on for 3 seconds, you may let go, and the unit will switch between the 2 modes (If you are experiencing any noise problems, it is recommended to switch to industrial mode)



Common problem	Reason	Solve
The LCD display does not light on	The plug is not fully inserted into the car cigarette lighter slot	Insert the plug fully into the car cigarette lighter slot
	The fuse inside is broken	Replace new fuse Fuse Spec: Φ5*20mm, 250V/2A
	Volume on iPhone/other MP3 units is set too low	Increase the volume on the unit
The volume is too low in the car	Volume on car speaker is set too low	Increase the volume on car system
	3.5mm is not connected properly	Replug 3.5mm plug onto the unit
	Audio cable is broken	Change a new cable
Hearing noise break or music skipping	Volume is too high	Decrease the volume
	Song file quality is not good	Change to other music
Hear distortion from the music	Interruption from other frequency	Switch to a new channel
Echo when using iPhone to make calls	Volume is set too high	Lower the volume either on iPhone or car speaker
Volume too low when using iPhone to make calls	User is too far from iPhone	Speak closer to iPhone (Recommended distance is less than 1M)
Unable to use USB to recharge Units	Use non standard USB cable	Change to standard USB cable
	Unit does not support standard USB	Stop using FMDOCA to charge units

Specification

Frequency range : 88.1-107.9MHz (0.1MHz/step) Input : DC 12-24V (Vehicle Power)
USB output : 5V/1A max Temperature : -10~+55 °C Effective distance : ≤5 m

Caretaking

- Please keep the product in a dry place, use a soft clean cloth to clean the unit if needed
 - Please do not store the product in an area with a lot of dust, or high/low temperature
 - Please do not disassemble the unit, it may lead to breaking the unit
 - Please do not use brutal force on the unit as it may damage it
 - Please do not short circuit the unit, as it will damage the battery
- Please use official accessories, if the unit is damaged from using non official accessories, it is not covered in the warranty

385.00 mm

Statement

This device complies with Part 15 of the FCC Rules. Operation is subject to the following two conditions: (1) this device may not cause harmful interference, and (2) this device must accept any interference received, including interference that may cause undesired operation.

changes or modifications not expressly approved by the party responsible for compliance could void the user's authority to operate the equipment.

NOTE:

This equipment has been tested and found to comply with the limits for a Class B digital device, pursuant to Part 15 of the FCC Rules. These limits are designed to provide reasonable protection against harmful interference in a residential installation. This equipment generates, uses and can radiate radio frequency energy and, if not installed and used in accordance with the instructions, may cause harmful interference to radio communications. However, there is no guarantee that interference will not occur in a particular installation. If this equipment does cause harmful interference to radio or television reception, which can be determined by turning the equipment off and on, the user is encouraged to try to correct the interference by one or more of the following measures:

- Reorient or relocate the receiving antenna.
- Increase the separation between the equipment and receiver.
- Connect the equipment into an outlet on a circuit different from that to which the receiver is connected.
- Consult the dealer or an experienced radio/TV technician for help.

This device complies with industry canada licence-exempt RSS standard(s). Operation is subject to the following two conditions:(1) this device may not cause interference, and(2) this device must accept any interference, including interference that may cause undesired operation of the device.