

6

5

4

3

2

1

D

D

C

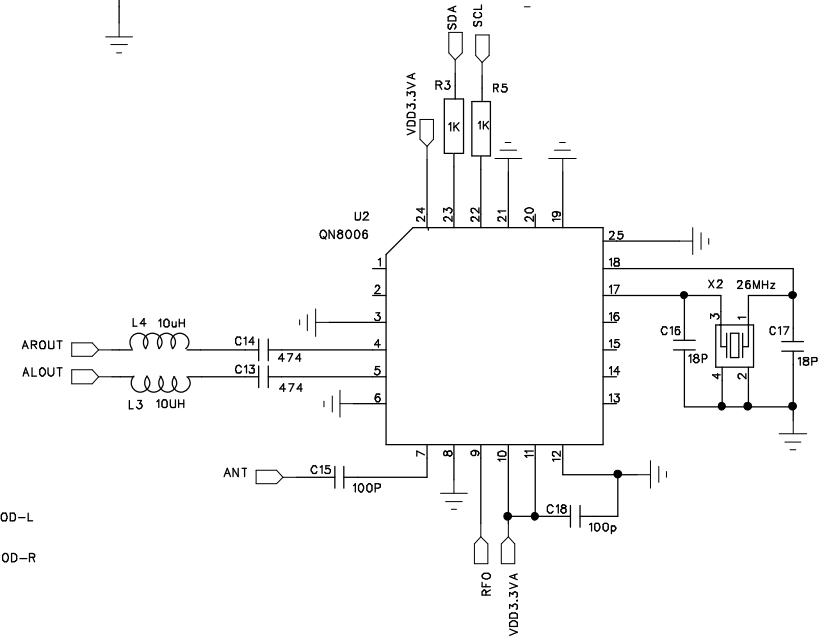
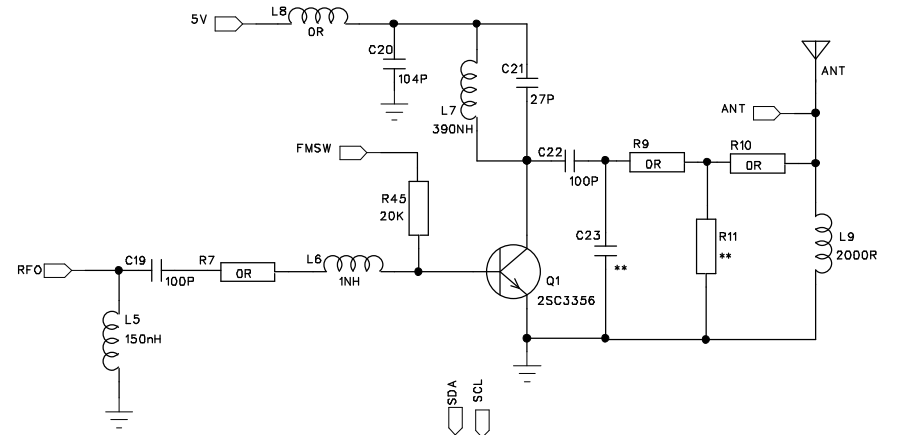
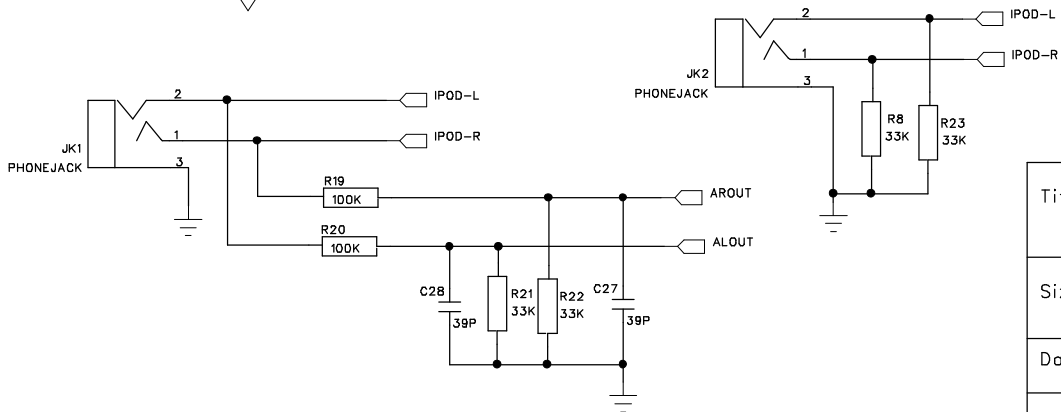
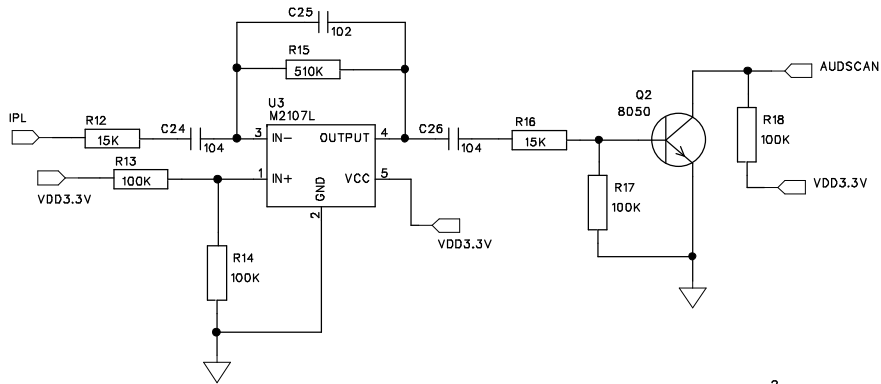
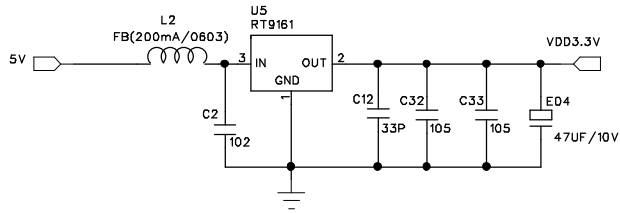
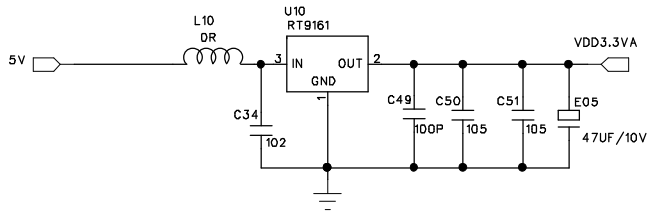
C

B

B

A

A



Title		
Size	4 A	Number
Date	2010,03,28	Revision
file	sheet	1 of 2

6

5

4

3

2

1

D

D

C

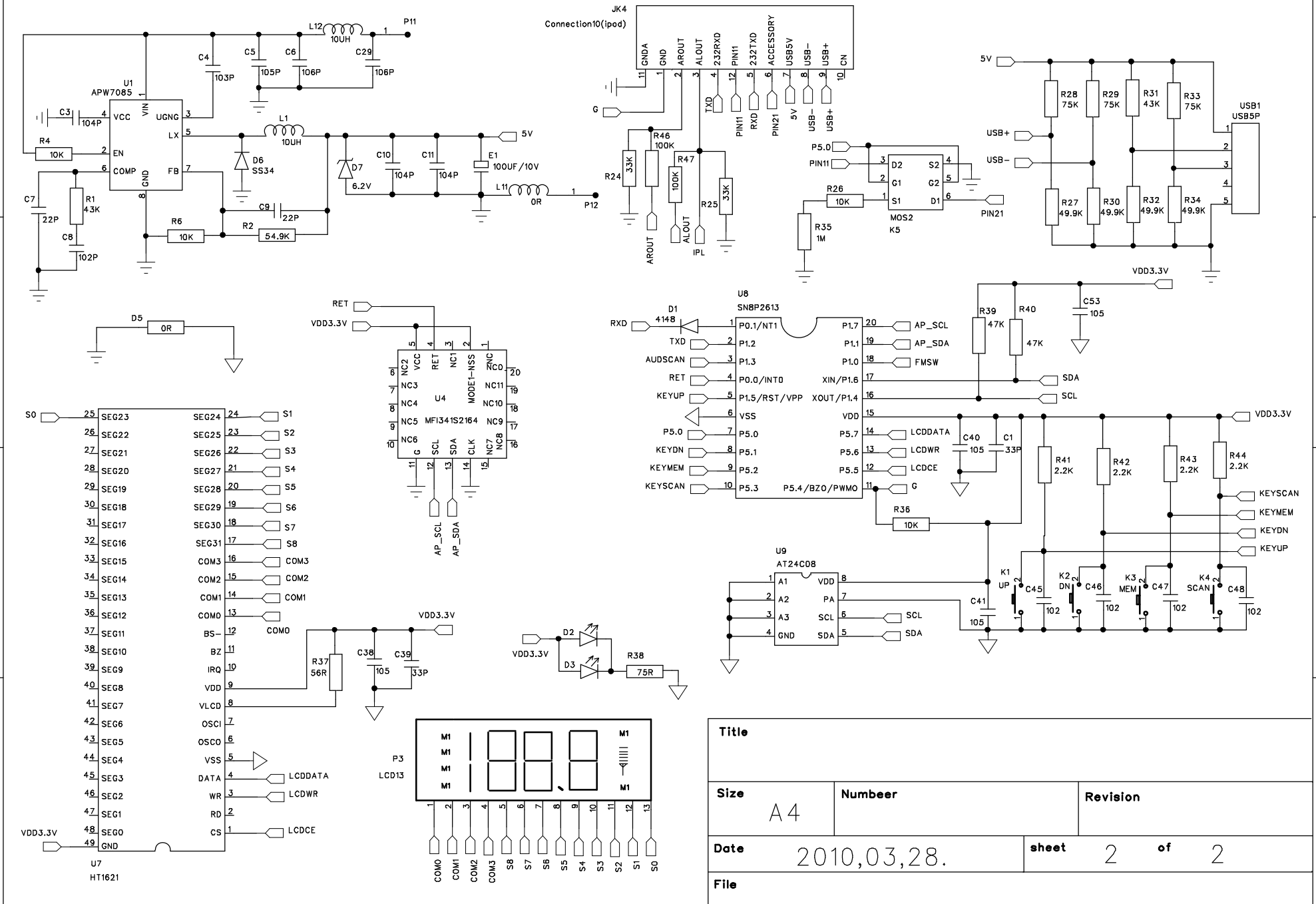
C

B

B

A

A



Title		
Size	Number	Revision
A4		
Date	2010,03,28.	sheet 2 of 2
File		