

## Justification statement for Antenna

To: Federal Communication Commission  
 Equipment Authorization Branch  
 7435 Oakland Mills Road  
 Columbia, MD 21046

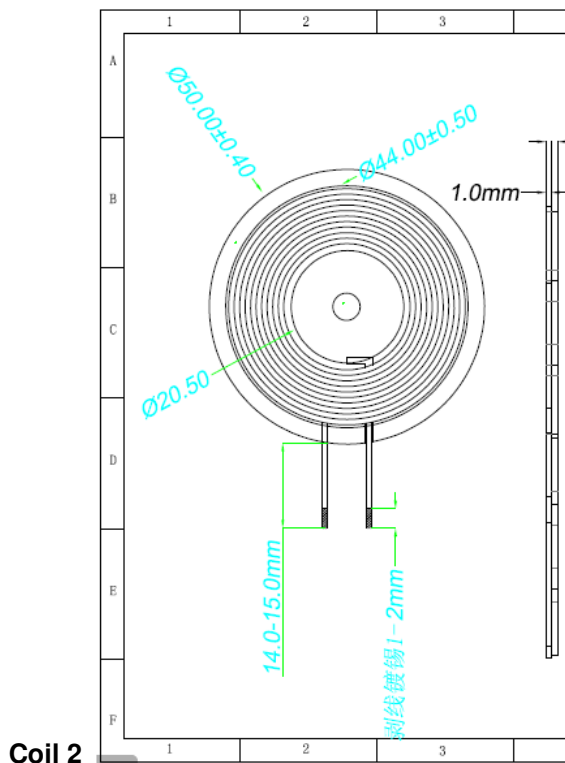
**Regarding:** FCC ID: IKQBL2MSIQ

Dear Sir/Madam,

Only radiated measurements are used for EUT with FCC ID: IKQBL2MSIQ to show compliance with FCC limits for fundamental and spurious emissions. All measurements were performed radiated and therefore additional antenna gain documentation is not required.

The detailed information for antenna as below shows:

Design Specifications	Typical
Antenna Type	Loop Antenna
Working Frequency	Coil 1(iPhone): 126.6kHz to 128.9kHz 358.88kHz to 361.12kHz  Coil 2(AirPods): 110.20kHz to 146.60kHz
Overall Dimensions	Coil 1:44.5mm*21.0mm Coil 2: 44.5mm*20.5mm



### Coil 1

