
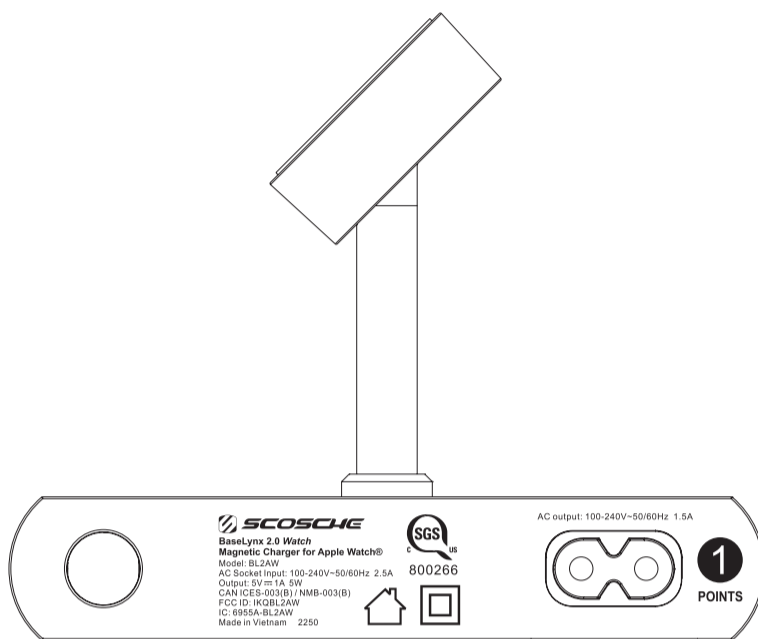




1:1

Edition (版本)	Changing Description (变更说明)	Design (设计)	Check (审核)	Date (日期)
	FCC ID: IKQBL2AW IC: 6955A-BL2AW			
	按客户要求去掉CE,UKCA, FCC认证重新排版  Apple Watch module Model: BL2AW AC Socket Input: 100-240V~50/60Hz 2.5A Output: 5V= 1A 5W CAN ICES-003(B) / NMB-003(B) FCC ID: IKQBL2AW IC: 6955A-BL2AW Made in Vietnam 2245			2022/12/8
	改名称 BaseLynx™ 2.0 WATCH Magnetic Charger for Apple Watch			
	名称按说明书修改一致 BaseLynx 2.0 Watch Magnetic Charger for Apple Watch®			2022/12/22
	去掉六级能效标 (VI)			2023/1/6

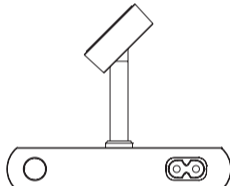


注: 22 45

年份周期

周期以实际生产周期为准

注:黑色边框线为辅助设计线

Part No	Model	Point Value
BL2AW		1 POINTS

4:1 内容放大



BaseLynx 2.0 Watch
Magnetic Charger for Apple Watch®

Model: BL2AW
AC Socket Input: 100-240V~50/60Hz 2.5A
Output: 5V= 1A 5W
CAN ICES-003(B) / NMB-003(B)
FCC ID: IKQBL2AW
IC: 6955A-BL2AW
Made in Vietnam 2250



800266



AC output: 100-240V~50/60Hz 1.5A

1
POINTS

备注:

1. 镭雕颜色为灰色.
2. 按图纸内容镭雕.
3. 镭雕内容匀称清晰,不可歪斜.
4. 镭雕效果参考客户回签样品.
5. 用纯棉布罐满95%纯度医用酒精,包在500g专用法码上,以40-60次/分钟的速度,20mm左右的行程,在被测物表面来回擦拭200个循环;
6. 以镭雕图形不掉色为合格;

Remark:

1. The laser carving gray in color.
2. The content according to the drawing of radium vulture.
3. The content of radium vulture symmetry is clear, not skewed.
4. Effect of radium vulture reference customers sign back samples.
5. With pure cotton tank filled with 95% purity medical alcohol, wrapped in a 500 g Usage code to 40 to 60 times/min, the speed of about 20 mm Trip and analyte in a sample surface brush try 200 cycle back and forth;
6. Radium vulture graphics do not rub off as qualified;

COSTOMER (客户)	1455	TITLE (图纸名称)	镭雕
PROVIDER (制作商)		PART NO. (物料编号)	
UNIT (单位)	mm	M'ATL (材质)	
DESIGNER (制作)		DATE (日期)	
CHECKED (确认)		DATE (日期)	
CHECKED (审核)		DATE (日期)	
APPROVAL (批准)		DATE (日期)	