

Justification statement for Antenna

To: Federal Communication Commission
 Equipment Authorization Branch
 7435 Oakland Mills Road
 Columbia, MID 21046

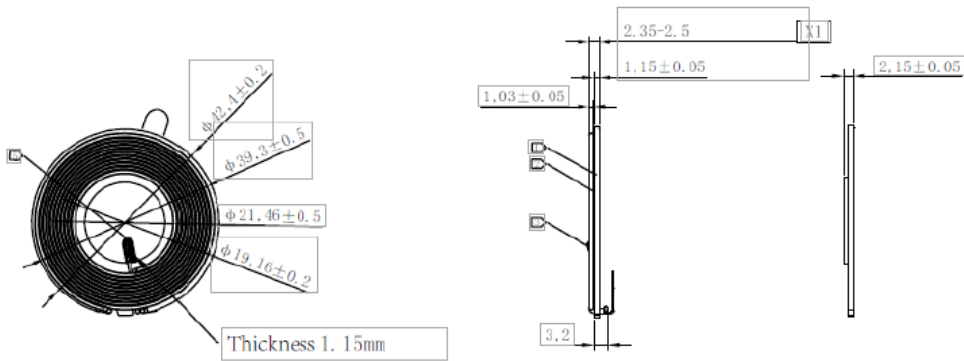
Regarding: FCC ID: IKQBL2AW

Dear Sir/Madam,

Only radiated measurements are used for EUT with FCC ID: IKQBL2AW to show compliance with FCC limits for fundamental and spurious emissions. All measurements were performed radiated and therefore additional antenna gain documentation is not required.

The detailed information for antenna as below shows:

Design Specifications	Typical
Antenna Type	Loop Antenna
Working Frequency	325.4kHz to 327.8kHz 1.77616MHz to 1.77936Hz
Overall Dimensions	42.6mm*21.96mm



Wire specification			Winding specification		
Diameter	Strands	Enamel-cover type	Turns	Strands	Layer
0.08 (AWG40)	65	Grade 2	11	1	1
Electrical specification			Shielding		
RDC (M ω)	RAC (M ω)	Inductance	Material	Permeability	Ba
70m ω m	150m ω m	3.4uH \pm 5%	DMR35	μ " @10kHz: 3000 \pm 20%	μ " @100kHz: \leq 500
Test conditions: 360K/1V					\geq 200mT