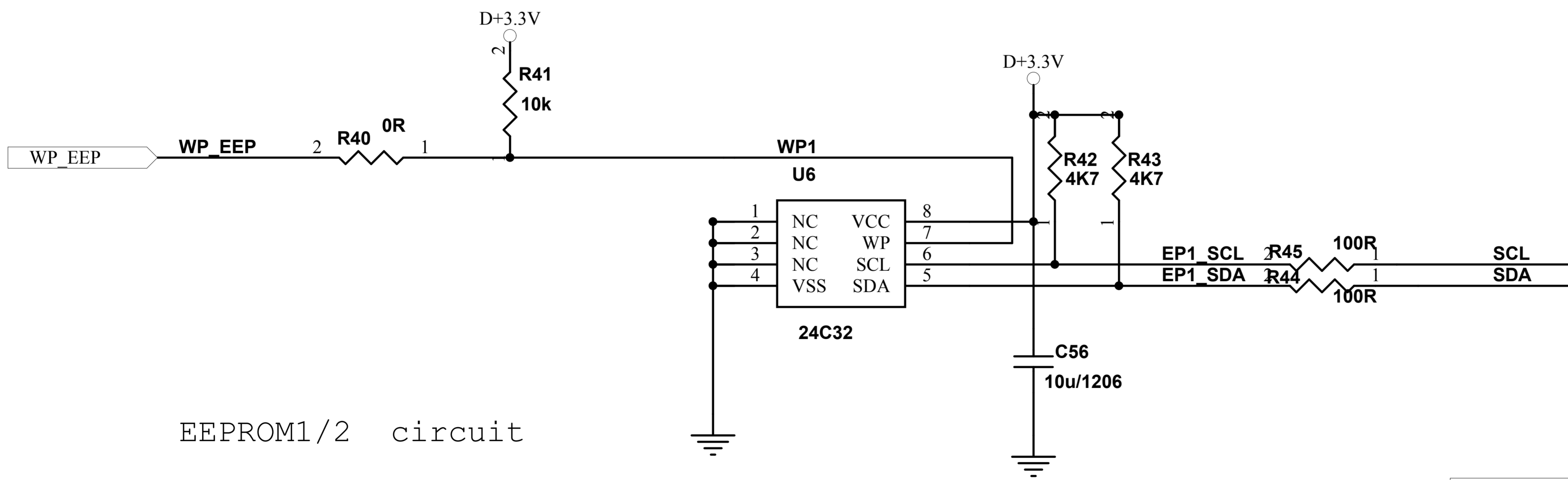


Ant. 2402-2480MHz

Ant. 2402-2480MHz

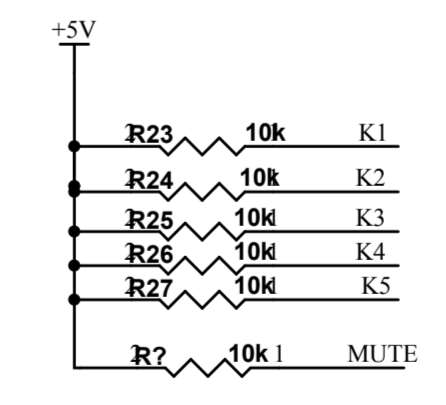
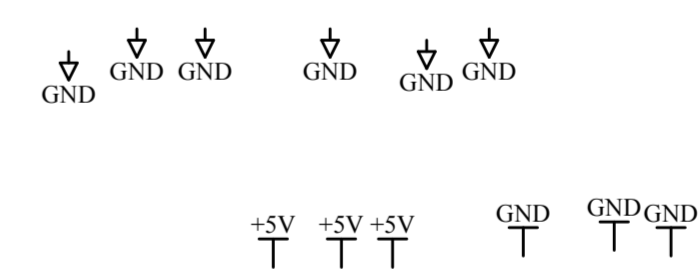
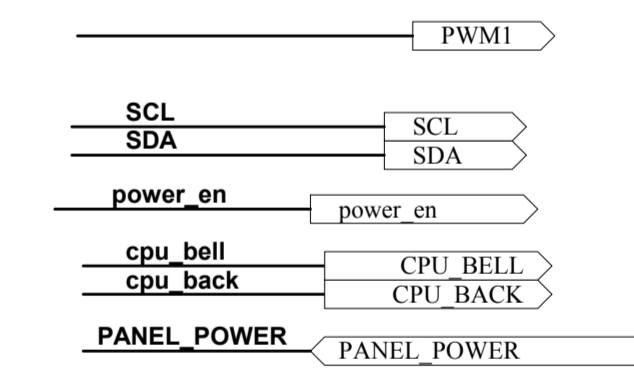
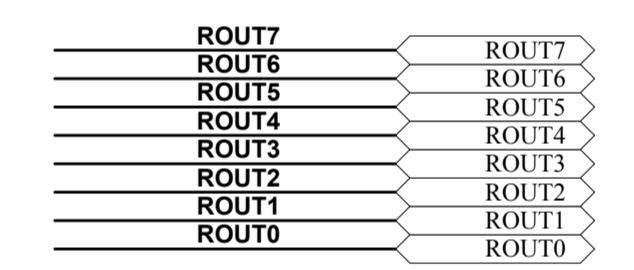
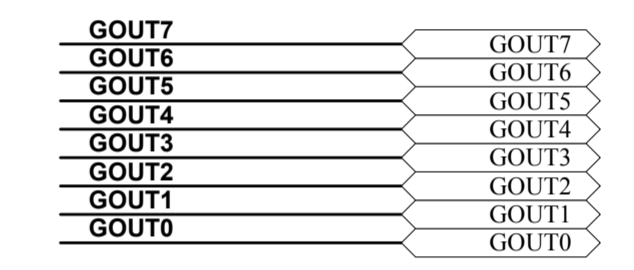
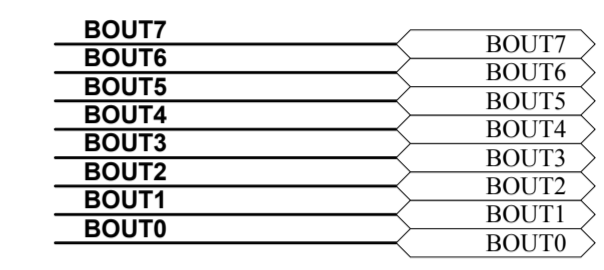
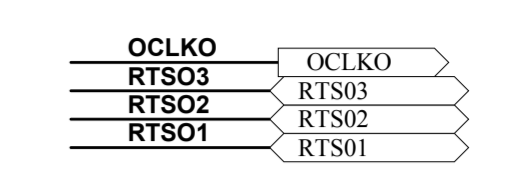
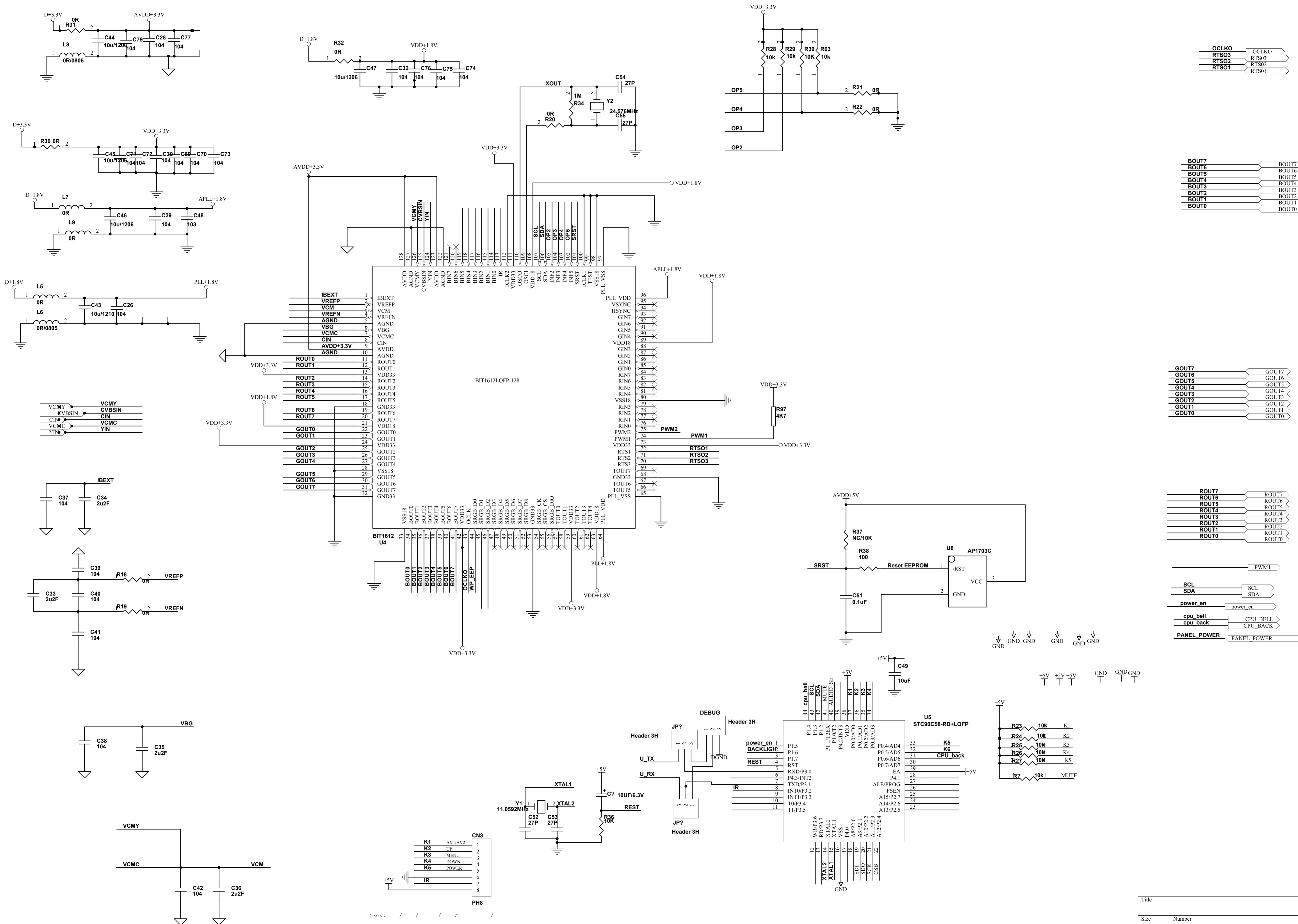
BC3MM External 7X7 Module

Title		BC3MM External 7X7 Module	
ENQ :	james.tao@apachecom.com	Revision	0.07
Date	3-Jun-2005		

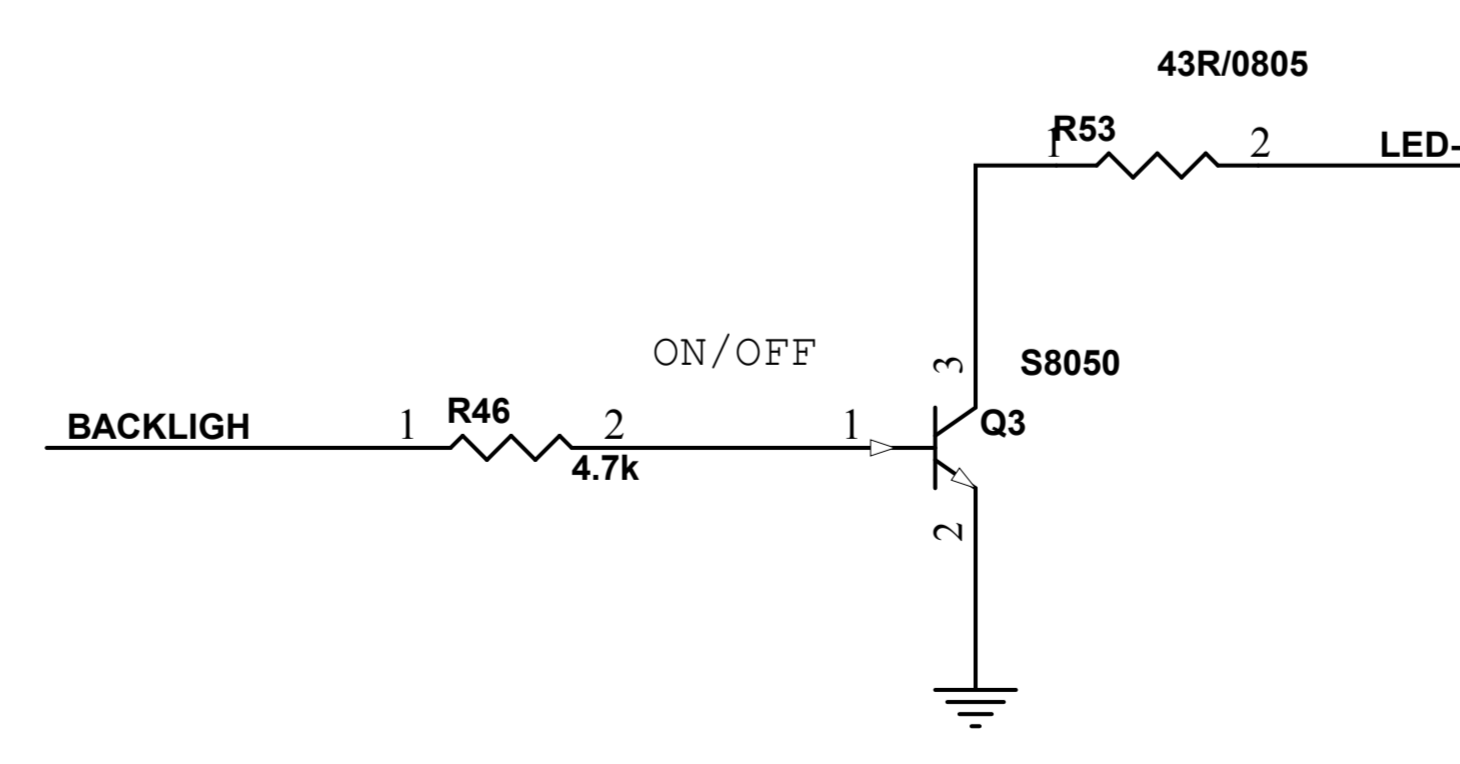
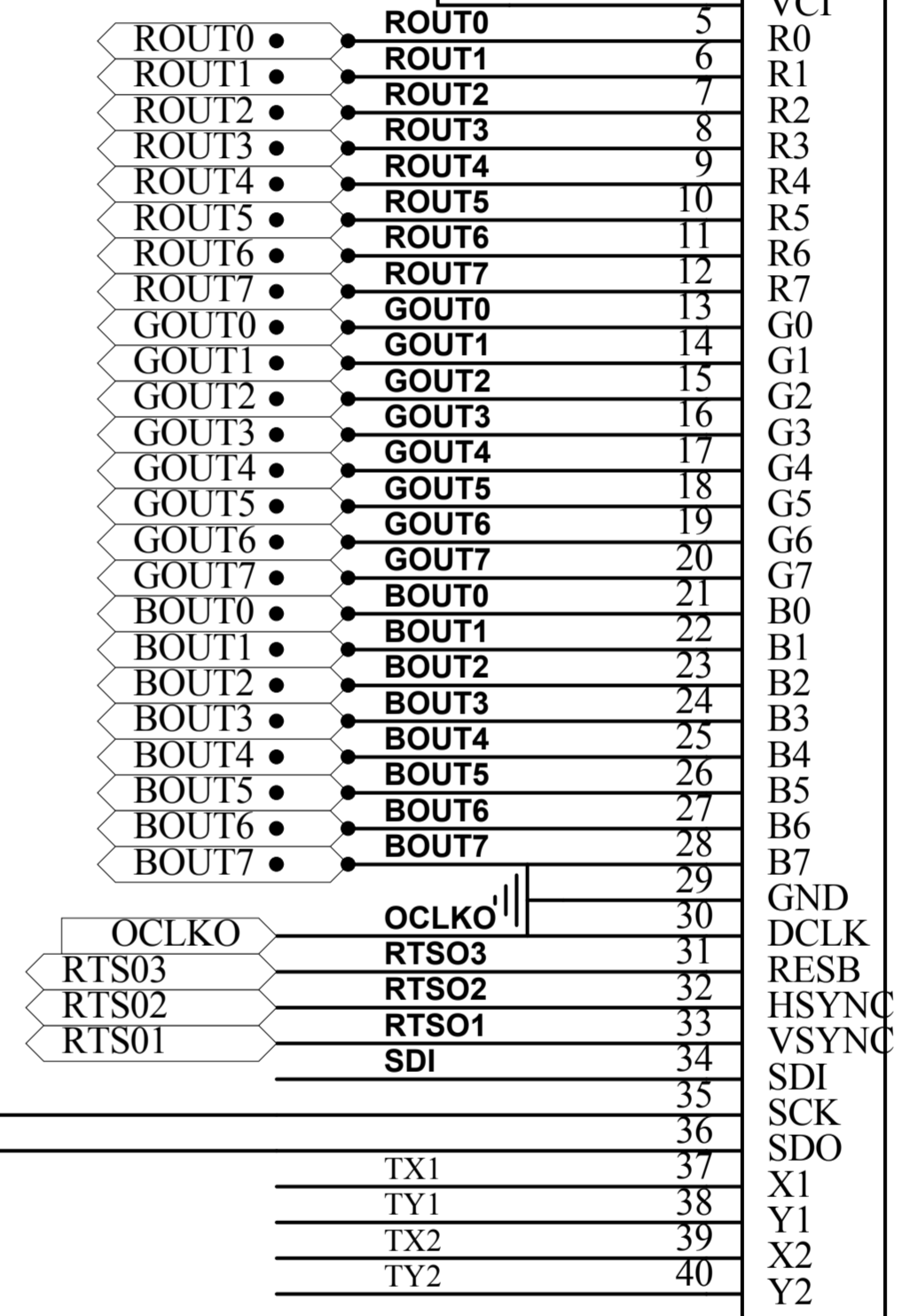
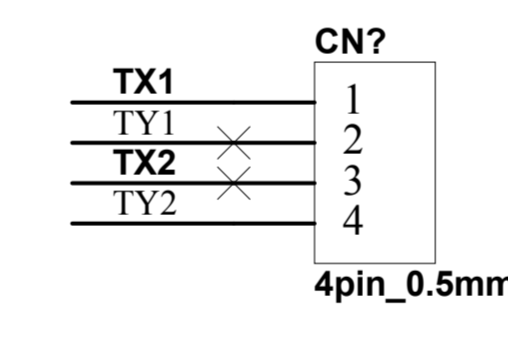
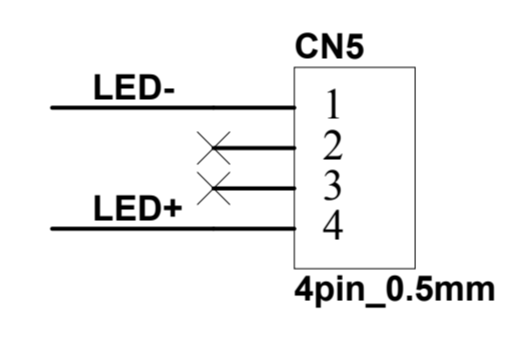
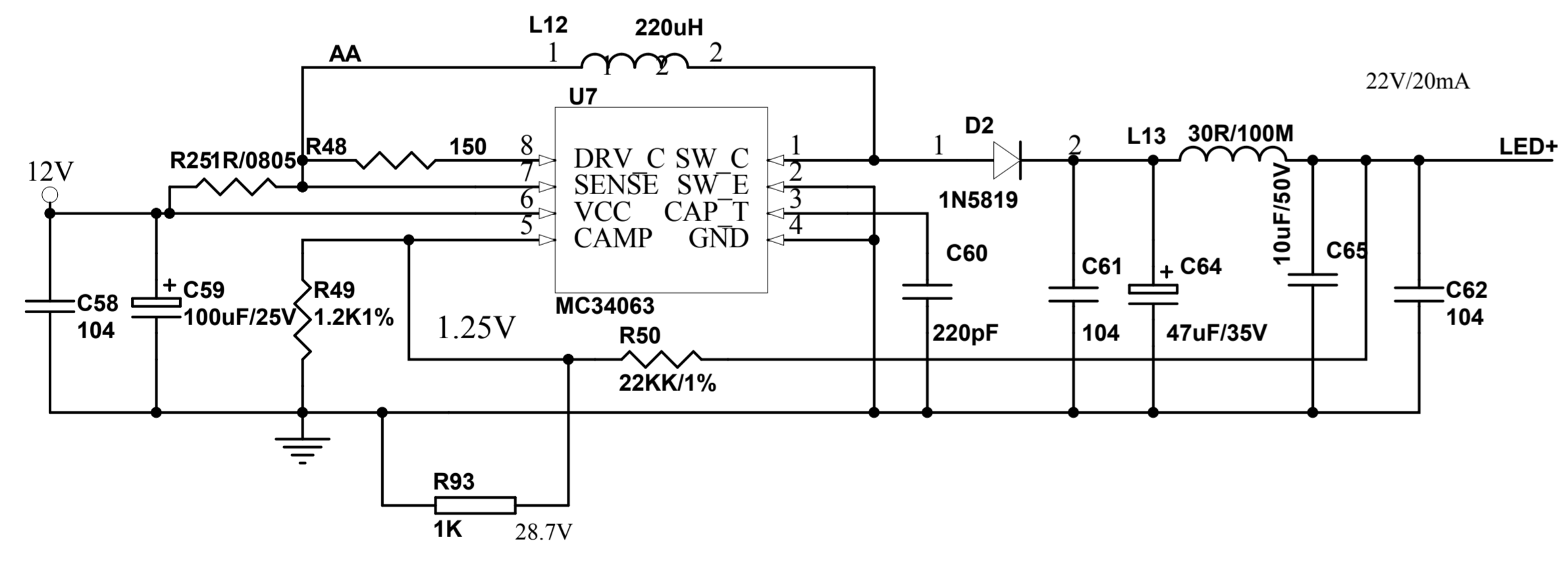
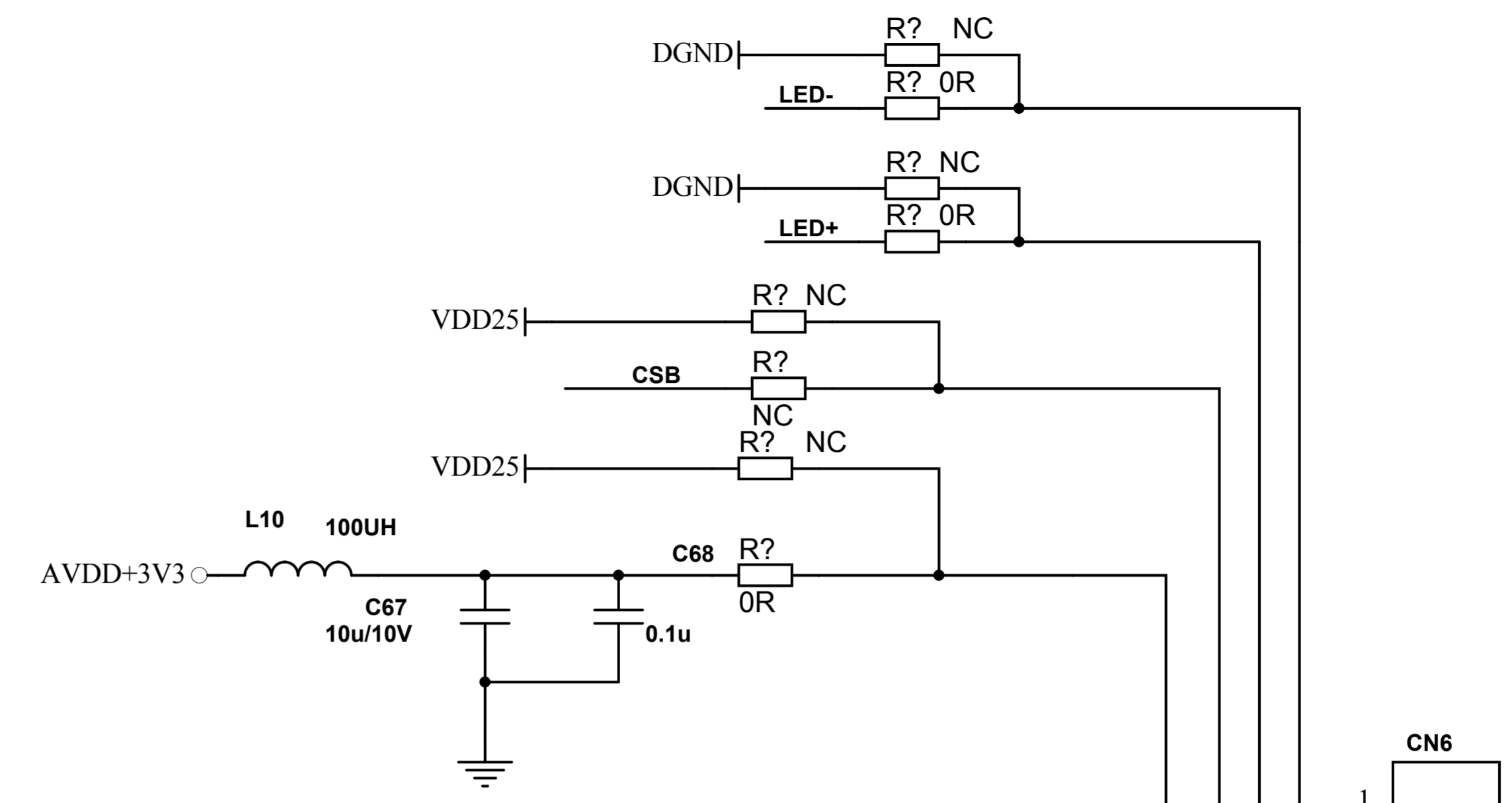
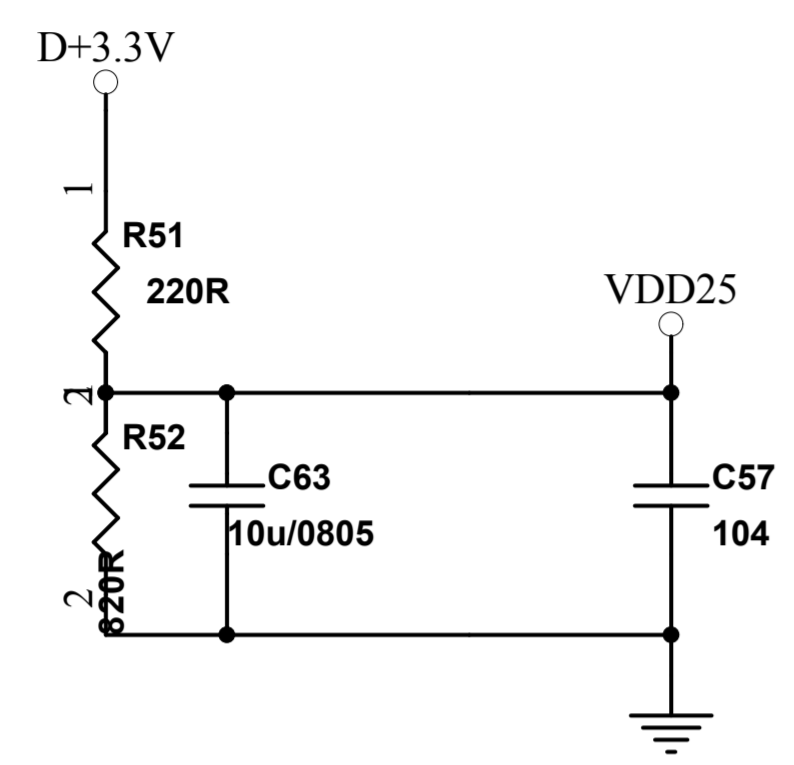


EEPROM1/2 circuit

Title		
Size	Number	Revision
A4		
Date:	2012-4-9	Sheet of
File:	E:\x\.\Sheet1.Sch	Drawn By:

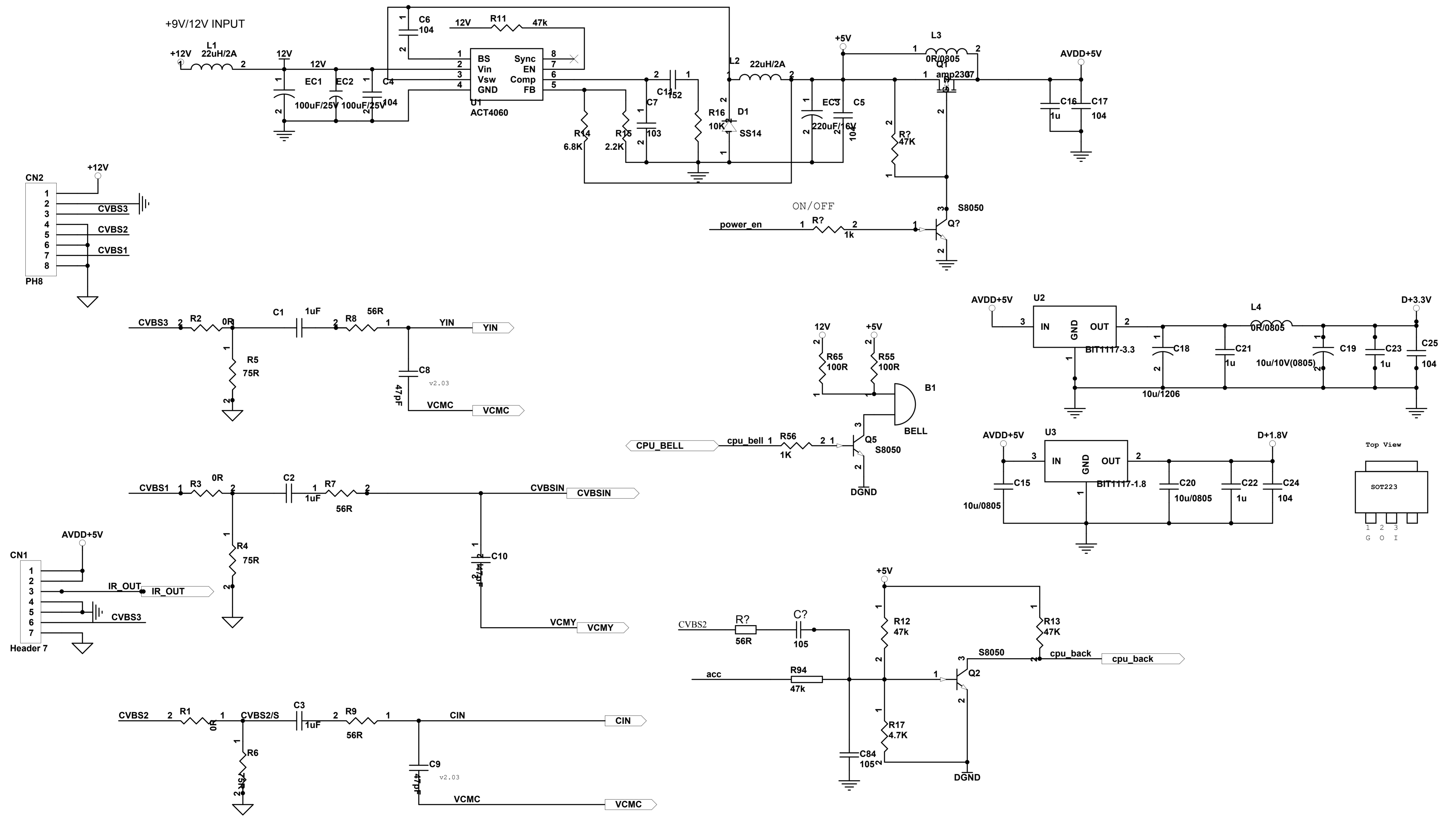


Title		
Size	Number	Revision
A2		
Date:	2012-4-9	Sheet of
File:	E:\x\Sheet2.Sch	Drawn By:



Title		
Size	Number	Revision
A3		
Date:	2012-4-9	Sheet_of
File:	E:\x\.\Sheet3.Sch	Drawn By:

DC POWER circuit

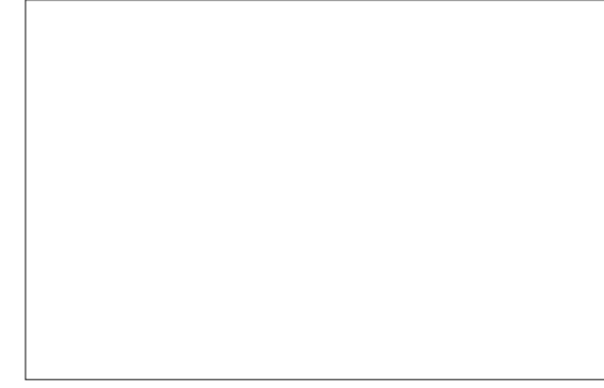


Title		
Size	Number	Revision
A3		
Date:	2012-4-9	Sheet of
File:	E:\xl.\Sheet4.Sch	Drawn By:

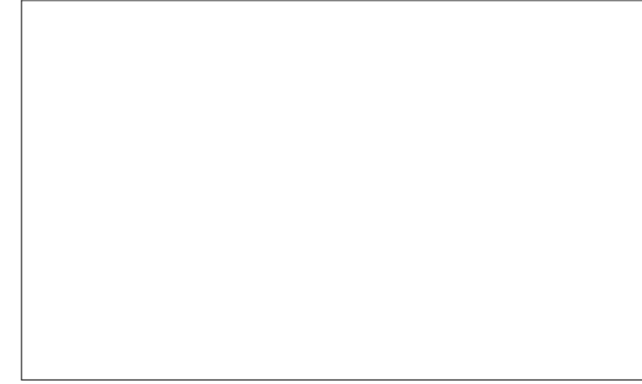
Designator
SHEET1



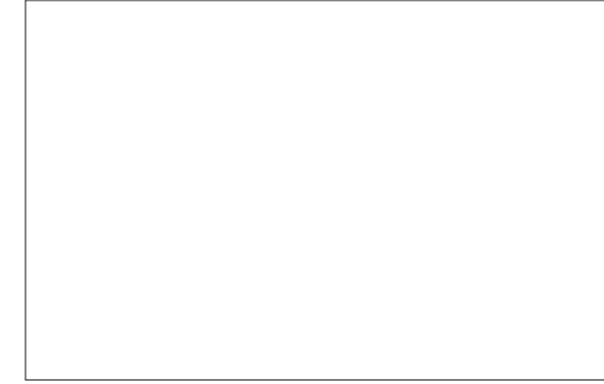
Designator
SHEET6



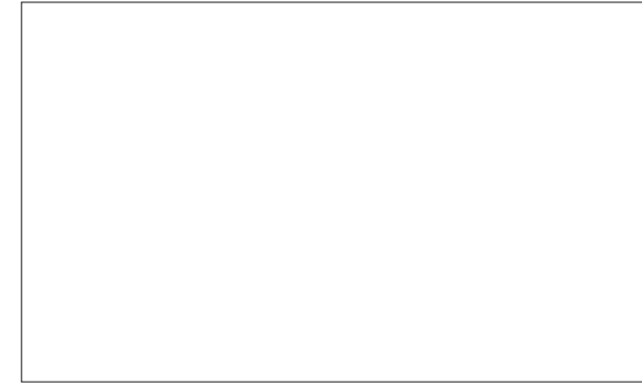
Designator
SHEET2



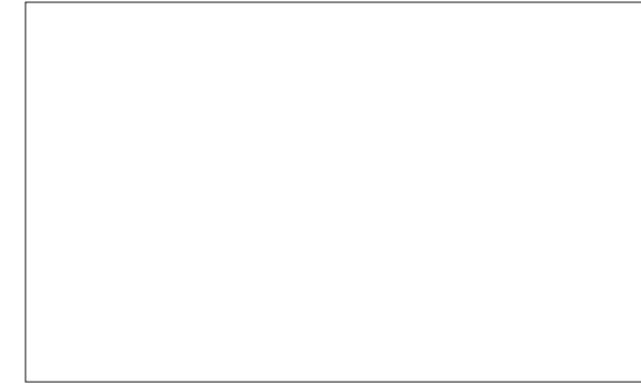
Sheet6
BLUE.Sch



Designator
SHEET3



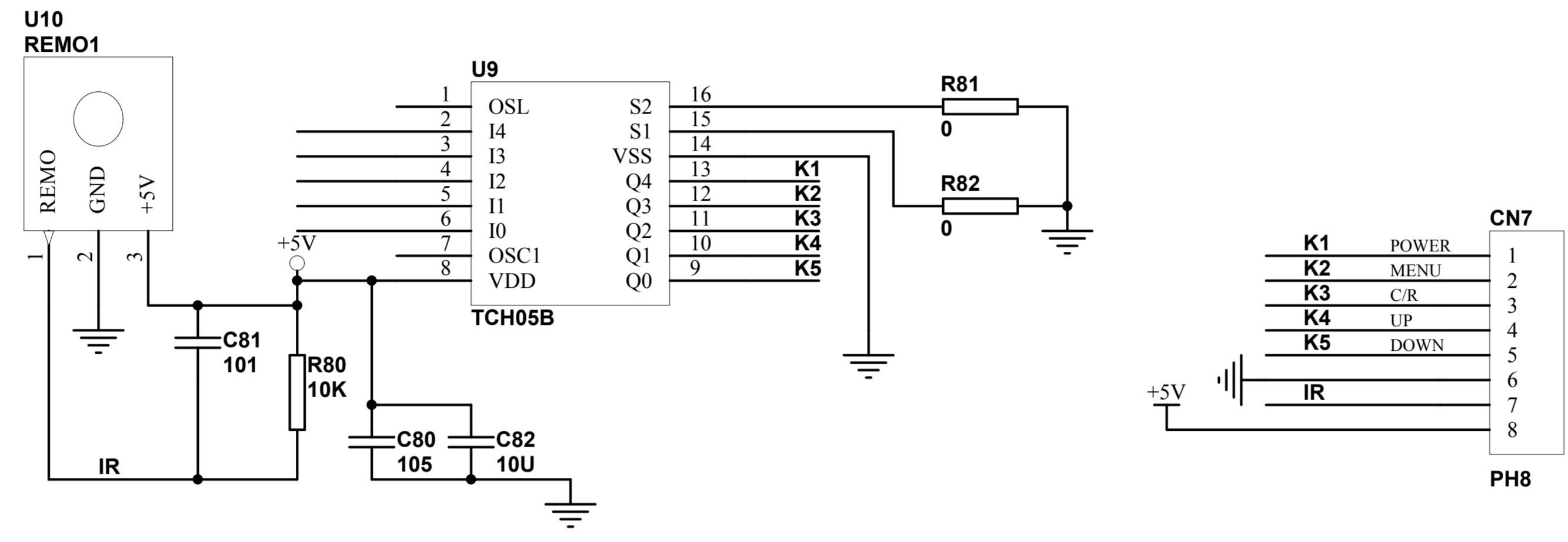
Designator
AMP



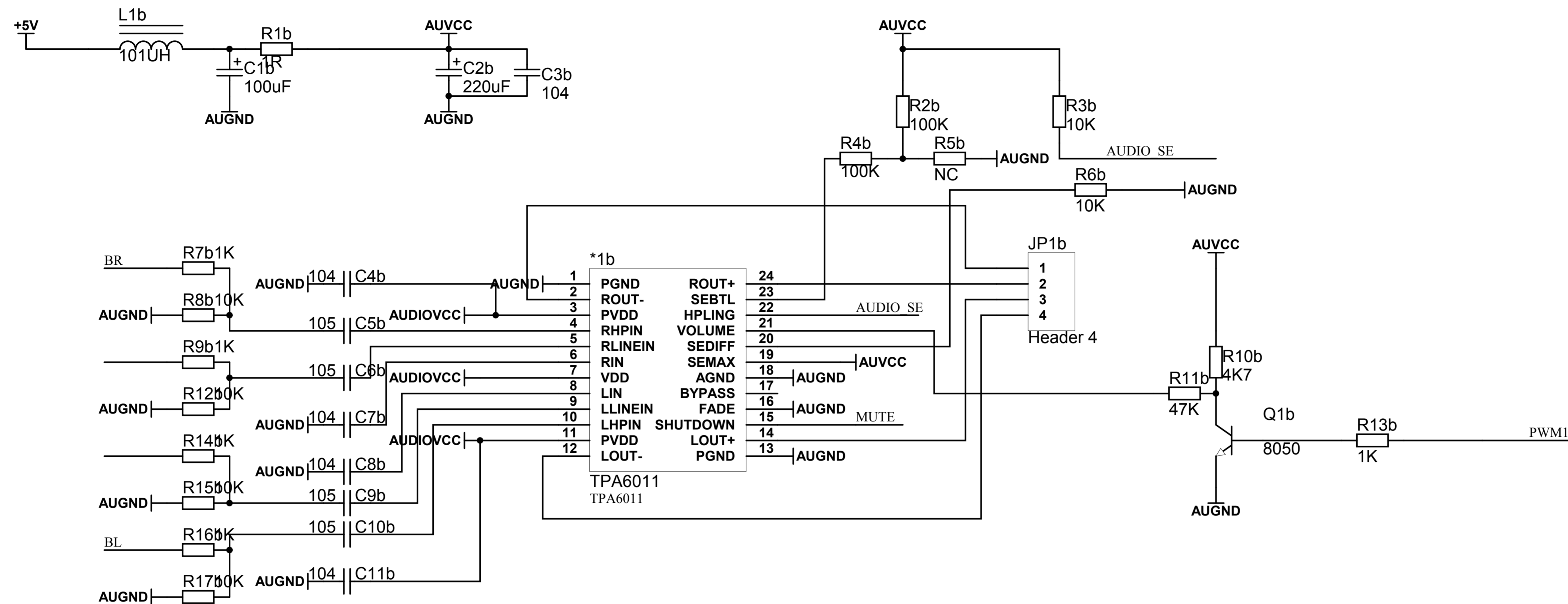
Designator
SHEET4



Title		
Size B	Number	Revision
Date: 2012-4-9	Sheet of	
File: E:\ x\.\Sheet5.Sch	Drawn By:	



Title		
Size B	Number	Revision
Date:	2012-4-9	Sheet of
File:	E:\x\Sheet6.Sch	Drawn By:



Title		
Size	Number	Revision
B		
Date:	2012-4-9	Sheet of
File:	E:\x\IAMP.SchDoc	Drawn By: