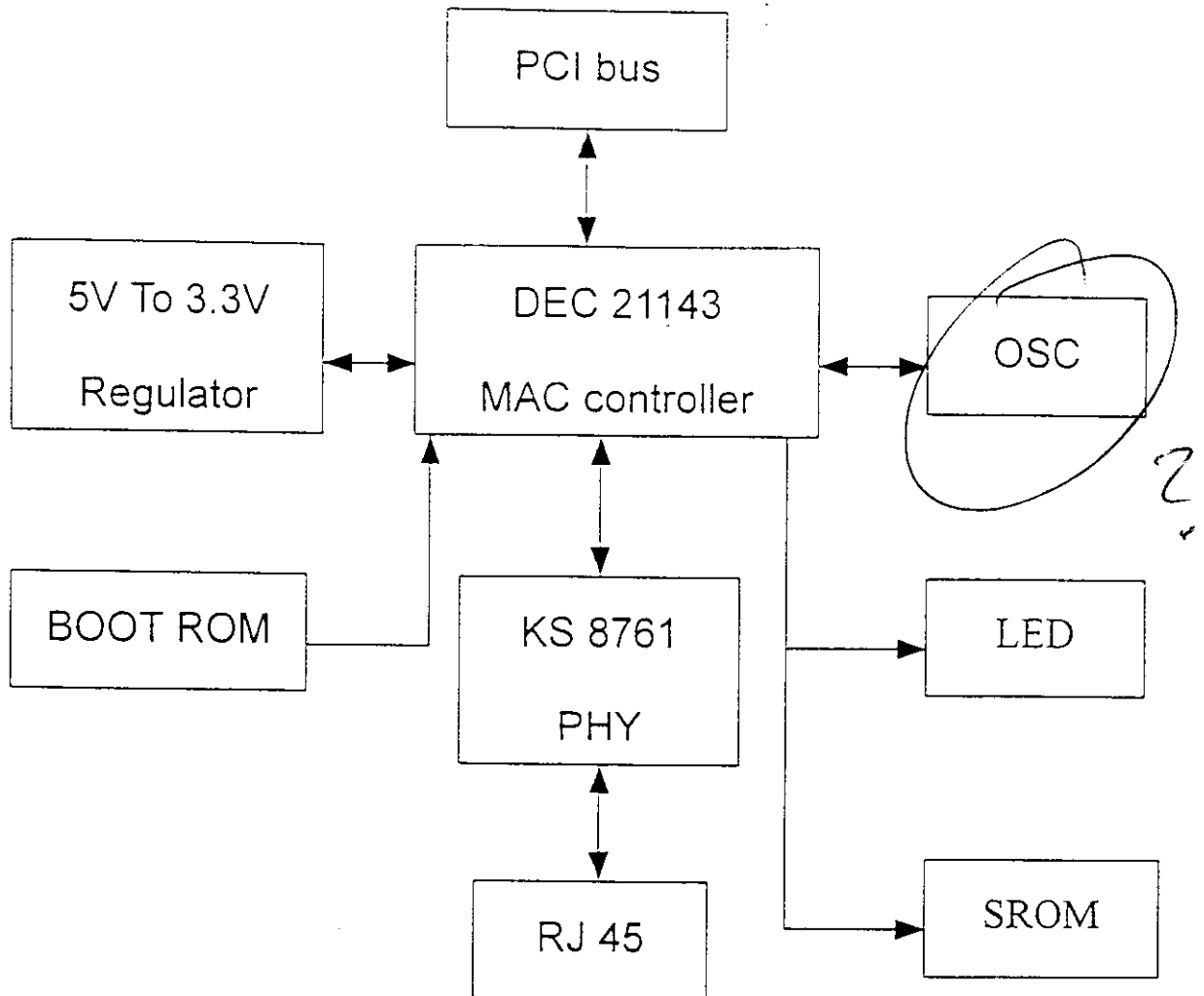


Circuit Block Diagram



DEC 21143 : 10/100 Mbps Ethernet MAC controller supports the peripheral Component Interconnect.

KS 8761 : 10/100 Base TX PHY + Transceiver which provides 5B symbol interface transmit and receive data.

BOOT ROM : The storage of operations to boot from server for diskless computer.

Serial ROM : Micro Wire ROM for storage of the Ethernet address and system parameters.