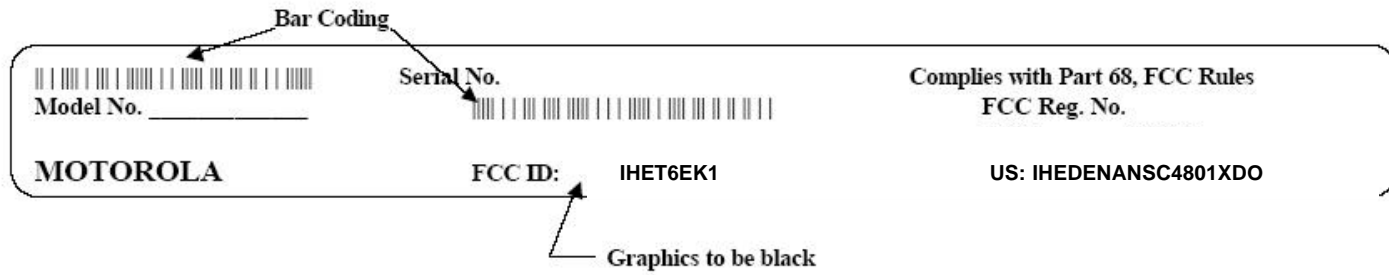


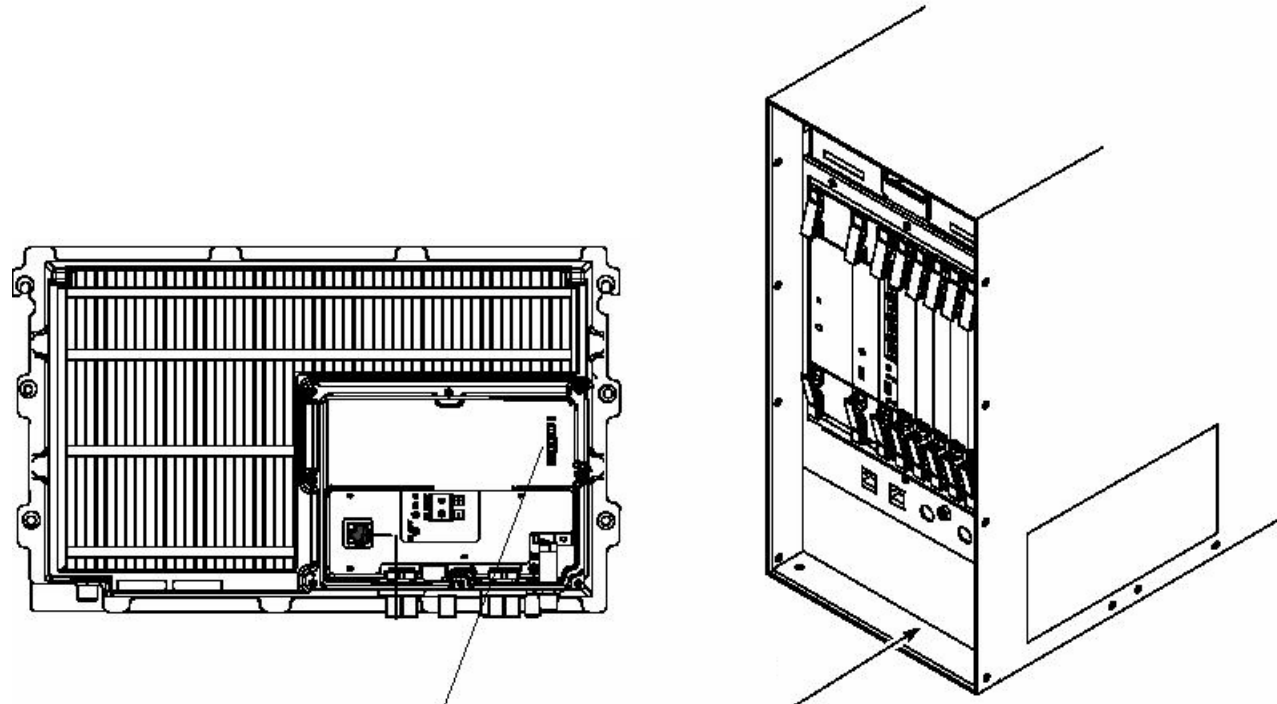
**Applicant: Motorola  
FCC ID IHET6EK1**

**EQUIPMENT NAMEPLATE PER  
CFR, Title 47, Part 2.925**



**A name plate of this type, or one similar to it, will be affixed to every base station.  
This label is permanent, indelible, and tamper evident.**

**Applicant: Motorola**  
**FCC ID IHET6EK1**



**FCC LABELS placed here**  
**with front panels removed**