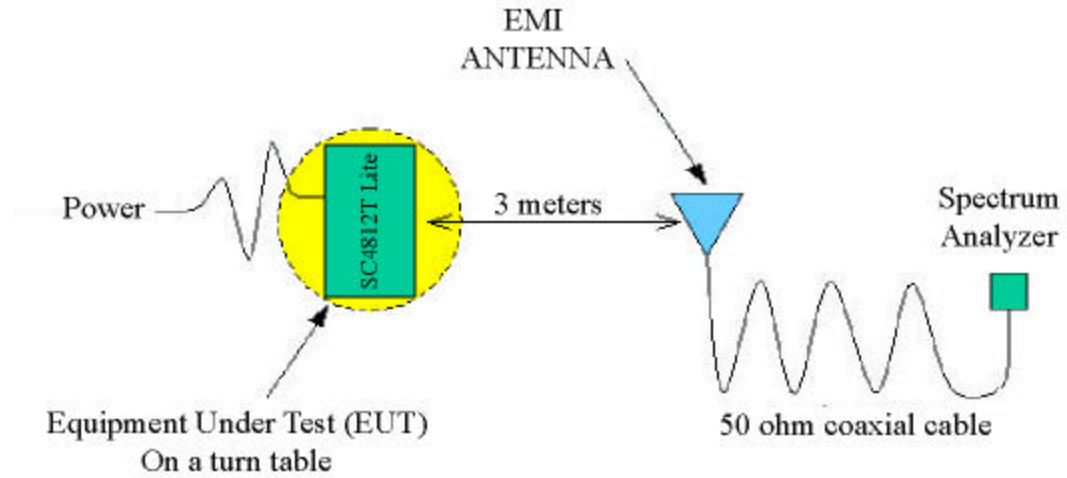


Test Setup – Radiated Emissions





MOTOROLA

Global Telecom Solutions Sector

APPLICANT: MOTOROLA

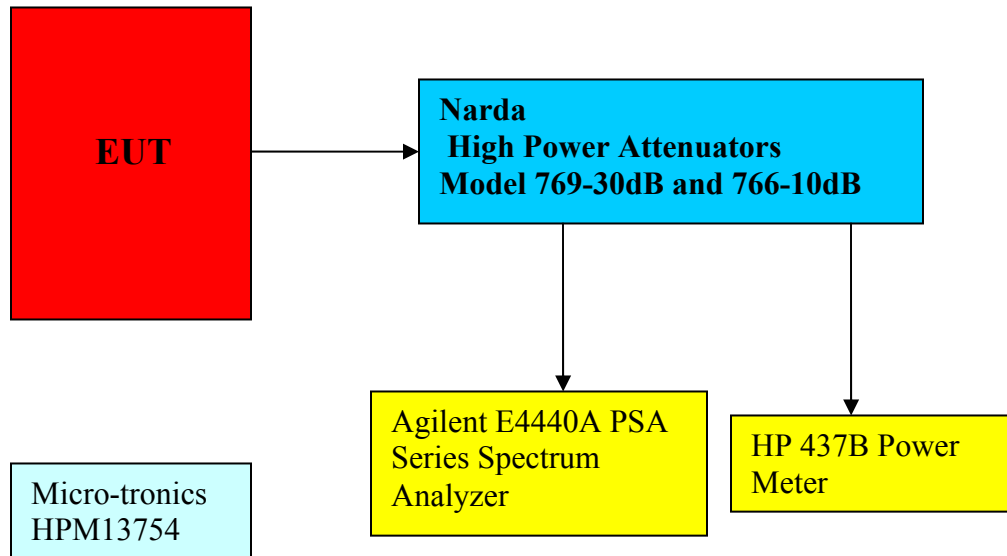
FCC ID: IHET5EE1





Motorola
1475 W. Shure Drive
Arlington Heights, IL. 60004

FCC Conducted Spurious & Harmonic Emissions Testing, Modulation Characteristics and Occupied Bandwidth Measurements



Note: HPM13754 High Pass Filter only used during harmonic emissions.



MOTOROLA

Global Telecom Solutions Sector

APPLICANT: MOTOROLA

FCC ID: IHET5EE1

