

HAC_E_Dipole_835

DUT: HAC-Dipole 835 MHz

Communication System: CW; Frequency: 835 MHz; Duty Cycle: 1:1
 Medium: Air Medium parameters used: $\sigma = 0$ S/m, $\epsilon_r = 1$; $\rho = 0$ kg/m³
 Ambient Temperature : 23.5 °C

DASY5 Configuration

- Probe: EF3DV3 - SN4047; ConvF(1, 1, 1) @ 835 MHz; Calibrated: 2021/1/25
- Sensor-Surface: (Fix Surface)
- Electronics: DAE4 Sn915; Calibrated: 2020/6/22
- Phantom: HAC Test Arch with AMCC; Type: SD HAC P01 BA;
- Measurement SW: DASY52, Version 52.10 (4); SEMCAD X Version 14.6.14 (7483)

E Scan - measurement distance from the probe sensor center to CD835 = 10mm & 15mm/Hearing Aid Compatibility Test at 15mm distance (41x361x1): Interpolated grid:

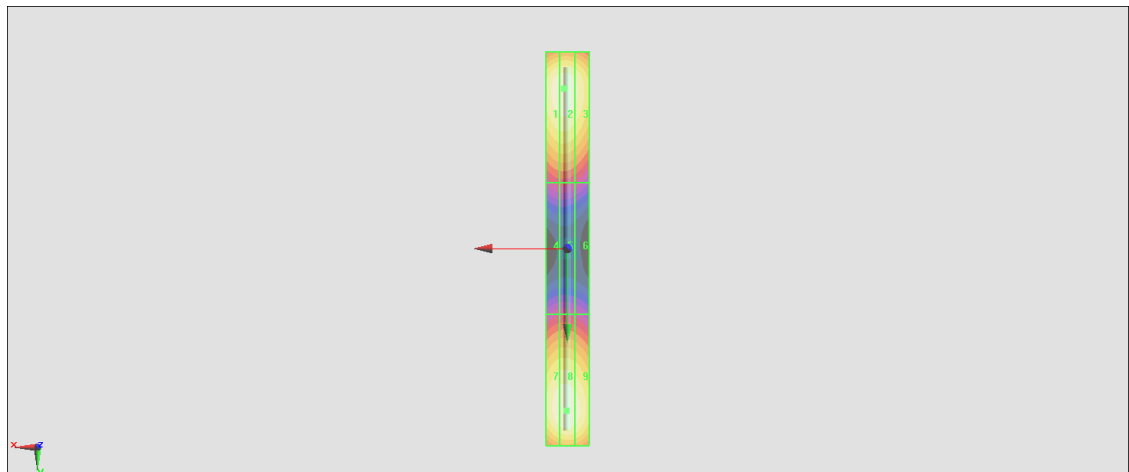
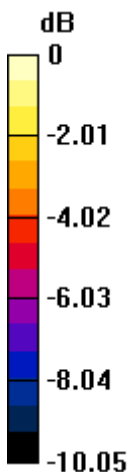
dx=0.5000 mm, dy=0.5000 mm
 Device Reference Point: 0, 0, -6.3 mm
 Reference Value = 124.1 V/m; Power Drift = 0.02 dB
 PMR not calibrated. PMF = 1.000 is applied.
 E-field emissions = 115.0 V/m
 Average value of Total=(114.1+115.0) / 2 = 114.55 V/m

PMF scaled E-field

Grid 1 M4 113.2 V/m	Grid 2 M4 114.1 V/m	Grid 3 M4 108.9 V/m
Grid 4 M4 64.25 V/m	Grid 5 M4 64.41 V/m	Grid 6 M4 61.45 V/m
Grid 7 M4 113.1 V/m	Grid 8 M4 115.0 V/m	Grid 9 M4 111.3 V/m

Cursor:

Total = 115.0 V/m
 E Category: M4
 Location: 0.5, 74, 8.7 mm



0 dB = 115.0 V/m = 41.21 dBV/m

HAC_E_Dipole_1880

DUT: HAC Dipole 1880 MHz

Communication System: CW; Frequency: 1880 MHz; Duty Cycle: 1:1
 Medium: Air Medium parameters used: $\sigma = 0$ S/m, $\epsilon_r = 1$; $\rho = 0$ kg/m³
 Ambient Temperature : 23.5 °C

DASY5 Configuration

- Probe: EF3DV3 - SN4047; ConvF(1, 1, 1) @ 1880 MHz; Calibrated: 2021/1/25
- Sensor-Surface: (Fix Surface)
- Electronics: DAE4 Sn915; Calibrated: 2020/6/22
- Phantom: HAC Test Arch with AMCC; Type: SD HAC P01 BA;
- Measurement SW: DASY52, Version 52.10 (4); SEMCAD X Version 14.6.14 (7483)

E Scan - measurement distance from the probe sensor center to CD1880 = 10mm & 15mm/Hearing Aid Compatibility Test at 15mm distance (41x181x1): Interpolated grid:

dx=0.5000 mm, dy=0.5000 mm

Device Reference Point: 0, 0, -6.3 mm

Reference Value = 156.4 V/m; Power Drift = 0.01 dB

PMR not calibrated. PMF = 1.000 is applied.

E-field emissions = 88.09 V/m

Average value of Total=(88.09+86.89) / 2 = 87.49 V/m

PMF scaled E-field

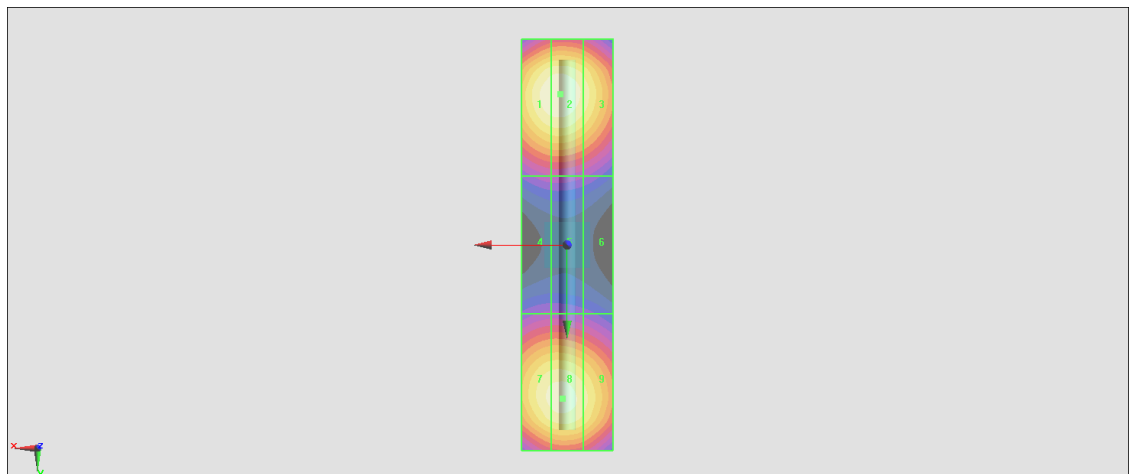
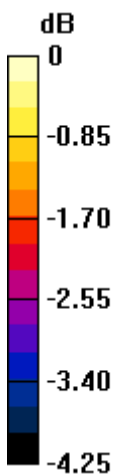
Grid 1 M3 87.77 V/m	Grid 2 M3 88.09 V/m	Grid 3 M3 84.66 V/m
Grid 4 M3 65.50 V/m	Grid 5 M3 65.60 V/m	Grid 6 M3 64.15 V/m
Grid 7 M3 86.17 V/m	Grid 8 M3 86.89 V/m	Grid 9 M3 83.98 V/m

Cursor:

Total = 88.09 V/m

E Category: M3

Location: 1.5, -33, 9.7 mm



0 dB = 88.09 V/m = 38.90 dBV/m

HAC_E_Dipole_2450

DUT: HAC Dipole 2450 MHz

Communication System: CW; Frequency: 2450 MHz; Duty Cycle: 1:1
 Medium: Air Medium parameters used: $\sigma = 0$ S/m, $\epsilon_r = 1$; $\rho = 0$ kg/m³
 Ambient Temperature : 23.5 °C

DASY5 Configuration

- Probe: EF3DV3 - SN4047; ConvF(1, 1, 1) @ 2450 MHz; Calibrated: 2021/1/25
- Sensor-Surface: (Fix Surface)
- Electronics: DAE4 Sn915; Calibrated: 2020/6/22
- Phantom: HAC Test Arch with AMCC; Type: SD HAC P01 BA;
- Measurement SW: DASY52, Version 52.10 (4); SEMCAD X Version 14.6.14 (7483)

**E Scan - measurement distance from the probe sensor center to CD2450 = 10mm & 15mm
 2/Hearing Aid Compatibility Test at 15mm distance (41x181x1):** Interpolated grid: dx=0.5000 mm, dy=0.5000 mm

Device Reference Point: 0, 0, -6.3 mm
 Reference Value = 81.97 V/m; Power Drift = 0.04 dB
 PMR not calibrated. PMF = 1.000 is applied.
 E-field emissions = 85.58 V/m
 Average value of Total=(85.58+85.54) / 2 = 85.56 V/m

PMF scaled E-field

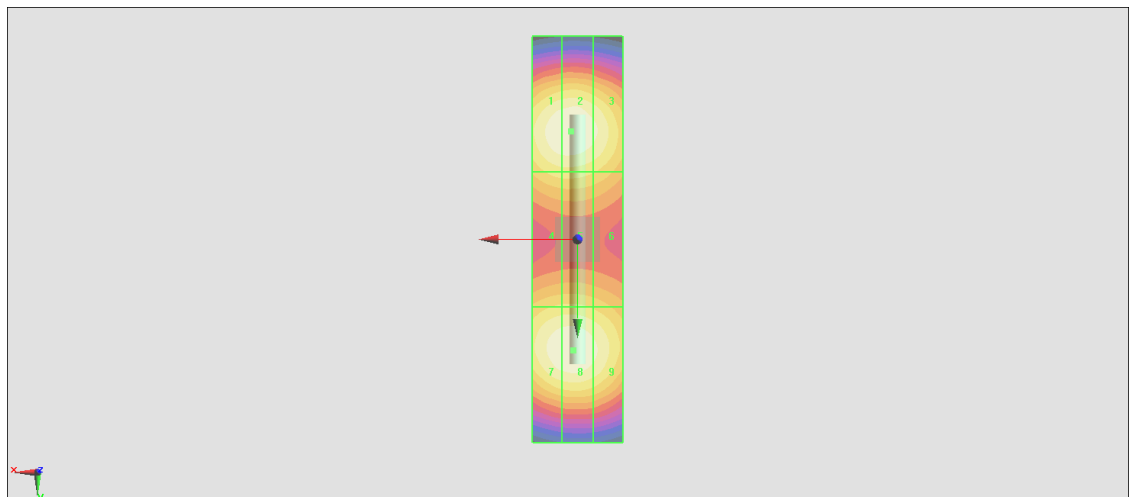
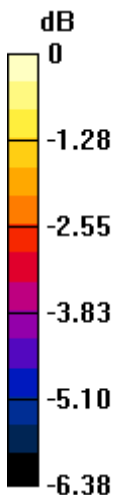
Grid 1 M3 85.20 V/m	Grid 2 M3 85.58 V/m	Grid 3 M3 82.60 V/m
Grid 4 M3 76.15 V/m	Grid 5 M3 76.25 V/m	Grid 6 M3 74.32 V/m
Grid 7 M3 84.85 V/m	Grid 8 M3 85.54 V/m	Grid 9 M3 82.58 V/m

Cursor:

Total = 85.58 V/m

E Category: M3

Location: 1.5, -24, 9.7 mm



0 dB = 85.58 V/m = 38.65 dBV/m