

HAC_E_Dipole_835

DUT: HAC-Dipole 835 MHz

Communication System: CW; Frequency: 835 MHz; Duty Cycle: 1:1

Medium: Air Medium parameters used: $\sigma = 0$ S/m, $\epsilon_r = 1$; $\rho = 0$ kg/m³

Ambient Temperature : 23.4 °C

DASY5 Configuration

- Probe: EF3DV3 - SN4047; ConvF(1, 1, 1) @ 835 MHz; Calibrated: 2021/1/25

- Sensor-Surface: (Fix Surface)

- Electronics: DAE4 Sn915; Calibrated: 2020/6/22

- Phantom: HAC Test Arch with AMCC; Type: SD HAC P01 BA;

- Measurement SW: DASY52, Version 52.10 (4); SEMCAD X Version 14.6.14 (7483)

E Scan - measurement distance from the probe sensor center to CD835 = 10mm & 15mm/Hearing Aid Compatibility Test at 15mm distance (41x361x1): Interpolated grid:

dx=0.5000 mm, dy=0.5000 mm

Device Reference Point: 0, 0, -6.3 mm

Reference Value = 141.8 V/m; Power Drift = -0.07 dB

PMR not calibrated. PMF = 1.000 is applied.

E-field emissions = 119.1 V/m

Average value of Total=(118.2+119.1) / 2 = 118.65 V/m

PMF scaled E-field

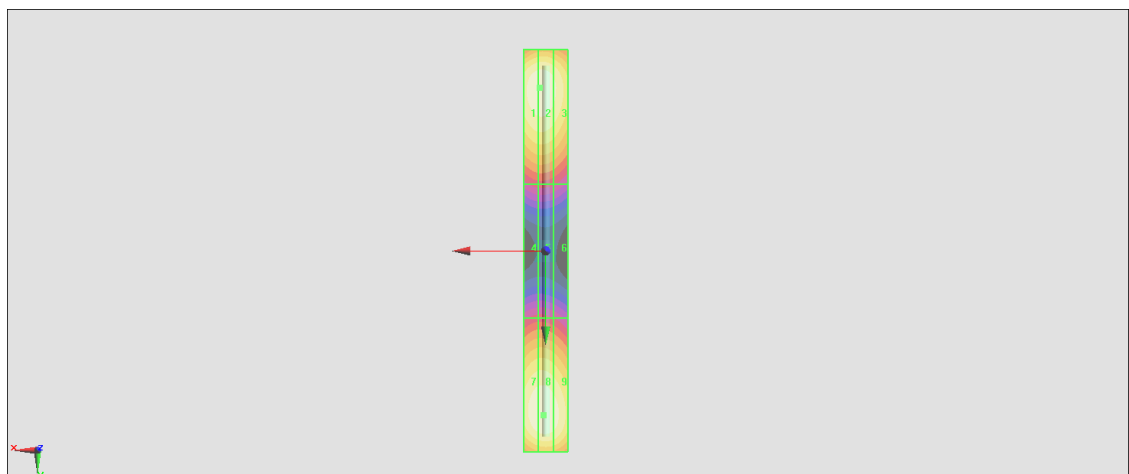
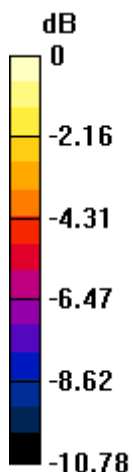
Grid 1 M4 117.9 V/m	Grid 2 M4 118.2 V/m	Grid 3 M4 112.2 V/m
Grid 4 M4 64.54 V/m	Grid 5 M4 64.69 V/m	Grid 6 M4 62.56 V/m
Grid 7 M4 117.9 V/m	Grid 8 M4 119.1 V/m	Grid 9 M4 115.0 V/m

Cursor:

Total = 119.1 V/m

E Category: M4

Location: 1, 73.5, 9.7 mm



0 dB = 119.1 V/m = 41.52 dBV/m

HAC_E_Dipole_1880

DUT: HAC Dipole 1880 MHz

Communication System: CW; Frequency: 1880 MHz; Duty Cycle: 1:1

Medium: Air Medium parameters used: $\sigma = 0$ S/m, $\epsilon_r = 1$; $\rho = 0$ kg/m³

Ambient Temperature : 23.4 °C

DASY5 Configuration

- Probe: EF3DV3 - SN4047; ConvF(1, 1, 1) @ 1880 MHz; Calibrated: 2021/1/25

- Sensor-Surface: (Fix Surface)

- Electronics: DAE4 Sn915; Calibrated: 2020/6/22

- Phantom: HAC Test Arch with AMCC; Type: SD HAC P01 BA;

- Measurement SW: DASY52, Version 52.10 (4); SEMCAD X Version 14.6.14 (7483)

E Scan - measurement distance from the probe sensor center to CD1880 = 10mm & 15mm/Hearing Aid Compatibility Test at 15mm distance (41x181x1): Interpolated grid:

$dx=0.5000$ mm, $dy=0.5000$ mm

Device Reference Point: 0, 0, -6.3 mm

Reference Value = 171.5 V/m; Power Drift = 0.03 dB

PMR not calibrated. PMF = 1.000 is applied.

E-field emissions = 92.14 V/m

Average value of Total= $(91.13+92.14) / 2 = 91.635$ V/m

PMF scaled E-field

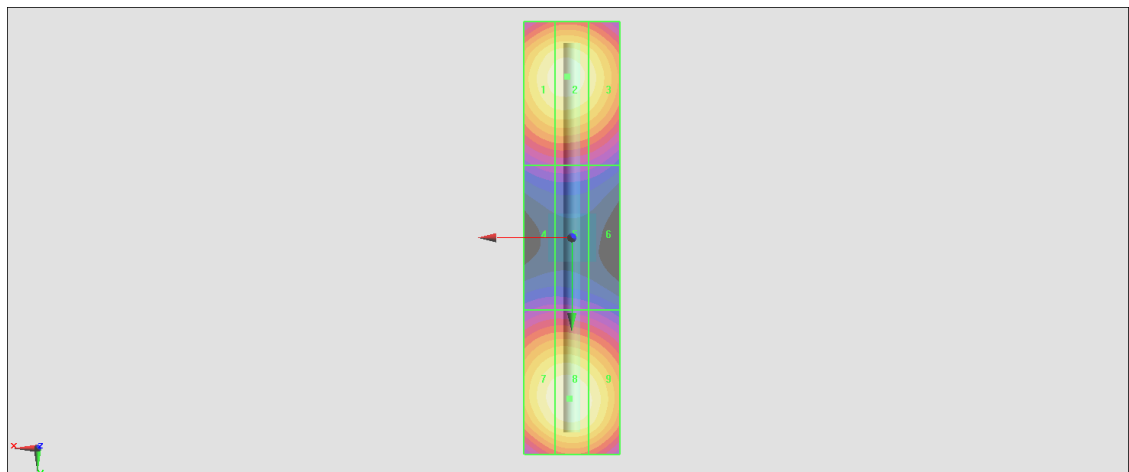
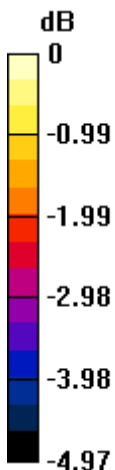
Grid 1 M3 90.36 V/m	Grid 2 M3 91.13 V/m	Grid 3 M3 87.82 V/m
Grid 4 M3 65.24 V/m	Grid 5 M3 65.36 V/m	Grid 6 M3 64.21 V/m
Grid 7 M3 90.98 V/m	Grid 8 M3 92.14 V/m	Grid 9 M3 89.67 V/m

Cursor:

Total = 92.14 V/m

E Category: M3

Location: 0.5, 33.5, 9.7 mm



0 dB = 92.14 V/m = 39.29 dBV/m

HAC_E_Dipole_2600

DUT: HAC Dipole 2600 MHz

Communication System: CW ; Frequency: 2600 MHz;Duty Cycle: 1:1

Medium: Air Medium parameters used: $\sigma = 0$ S/m, $\epsilon_r = 1$; $\rho = 0$ kg/m³

Ambient Temperature : 23.4 °C

DASY5 Configuration

- Probe: EF3DV3 - SN4047; ConvF(1, 1, 1) @ 2600 MHz; Calibrated: 2021/1/25

- Sensor-Surface: (Fix Surface)

- Electronics: DAE4 Sn915; Calibrated: 2020/6/22

- Phantom: HAC Test Arch with AMCC; Type: SD HAC P01 BA;

- Measurement SW: DASY52, Version 52.10 (4); SEMCAD X Version 14.6.14 (7483)

E Scan - measurement distance from the probe sensor center to CD2600 = 10mm & 15mm/Hearing Aid Compatibility Test at 15mm distance (41x181x1): Interpolated grid:

dx=0.5000 mm, dy=0.5000 mm

Device Reference Point: 0, 0, -6.3 mm

Reference Value = 70.04 V/m; Power Drift = 0.11 dB

PMR not calibrated. PMF = 1.000 is applied.

E-field emissions = 87.84 V/m

Average value of Total=(86.53+87.84) / 2 = 87.185 V/m

PMF scaled E-field

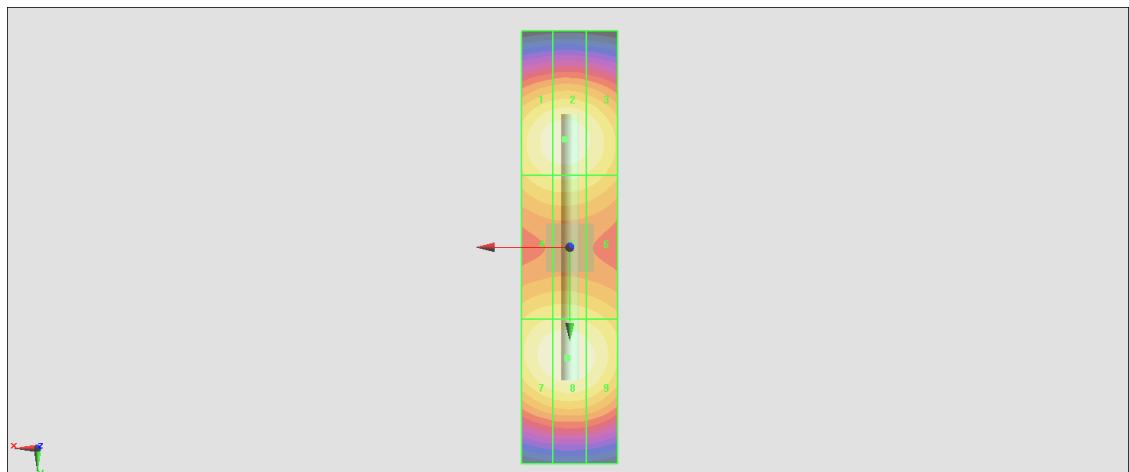
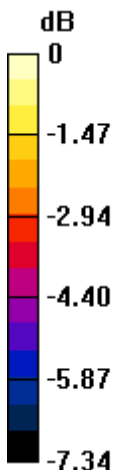
Grid 1 M3 85.82 V/m	Grid 2 M3 86.53 V/m	Grid 3 M3 83.87 V/m
Grid 4 M3 79.58 V/m	Grid 5 M3 80.08 V/m	Grid 6 M3 78.15 V/m
Grid 7 M3 86.75 V/m	Grid 8 M3 87.84 V/m	Grid 9 M3 85.30 V/m

Cursor:

Total = 87.84 V/m

E Category: M3

Location: 0.5, 23, 9.7 mm



0 dB = 87.84 V/m = 38.87 dBV/m

HAC_E_Dipole_2450

DUT: HAC Dipole 2450 MHz

Communication System: CW; Frequency: 2450 MHz; Duty Cycle: 1:1
 Medium: Air Medium parameters used: $\sigma = 0$ S/m, $\epsilon_r = 1$; $\rho = 0$ kg/m³
 Ambient Temperature : 23.4 °C

DASY5 Configuration

- Probe: EF3DV3 - SN4047; ConvF(1, 1, 1) @ 2450 MHz; Calibrated: 2021/1/25
- Sensor-Surface: (Fix Surface)
- Electronics: DAE4 Sn915; Calibrated: 2020/6/22
- Phantom: HAC Test Arch with AMCC; Type: SD HAC P01 BA;
- Measurement SW: DASY52, Version 52.10 (4); SEMCAD X Version 14.6.14 (7483)

E Scan - measurement distance from the probe sensor center to CD2450 = 10mm & 15mm 2/Hearing Aid Compatibility Test at 15mm distance (41x181x1): Interpolated grid: dx=0.5000

mm, dy=0.5000 mm

Device Reference Point: 0, 0, -6.3 mm

Reference Value = 81.97 V/m; Power Drift = 0.04 dB

PMR not calibrated. PMF = 1.000 is applied.

E-field emissions = 85.58 V/m

Average value of Total=(85.58+85.54) / 2 = 85.56 V/m

PMF scaled E-field

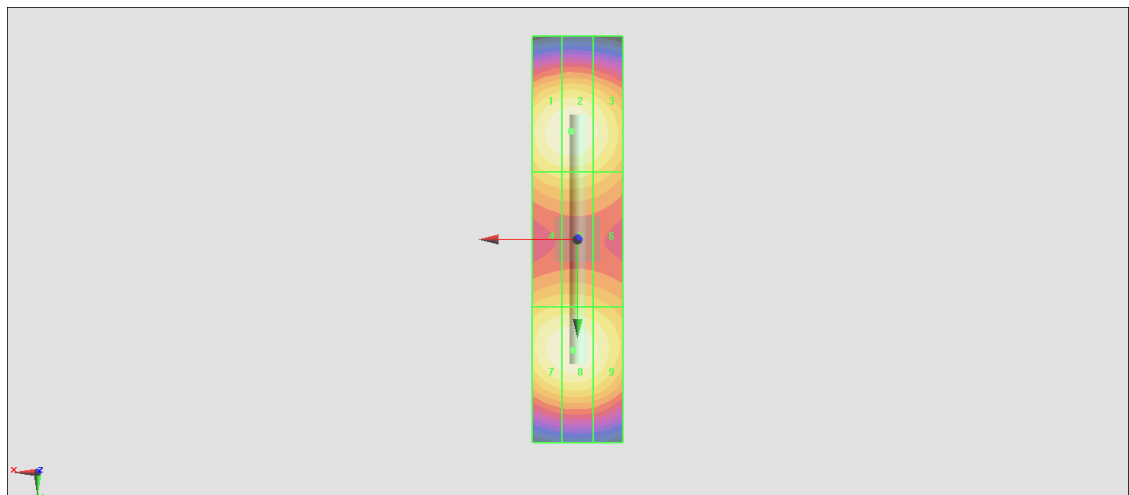
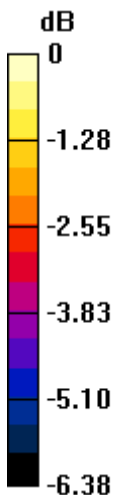
Grid 1 M3 85.20 V/m	Grid 2 M3 85.58 V/m	Grid 3 M3 82.60 V/m
Grid 4 M3 76.15 V/m	Grid 5 M3 76.25 V/m	Grid 6 M3 74.32 V/m
Grid 7 M3 84.85 V/m	Grid 8 M3 85.54 V/m	Grid 9 M3 82.58 V/m

Cursor:

Total = 85.58 V/m

E Category: M3

Location: 1.5, -24, 9.7 mm



0 dB = 85.58 V/m = 38.65 dBV/m

HAC_E_Dipole_3500

DUT: HAC Dipole 3500 MHz

Communication System: CW ; Frequency: 3500 MHz;Duty Cycle: 1:1

Medium: Air Medium parameters used: $\sigma = 0$ S/m, $\epsilon_r = 1$; $\rho = 0$ kg/m³

Ambient Temperature : 23.4 °C

DASY5 Configuration

- Probe: EF3DV3 - SN4047; ConvF(1, 1, 1) @ 3500 MHz; Calibrated: 2021/1/25
- Sensor-Surface: (Fix Surface)
- Electronics: DAE4 Sn915; Calibrated: 2020/6/22
- Phantom: HAC Test Arch with AMCC; Type: SD HAC P01 BA;
- Measurement SW: DASY52, Version 52.10 (4); SEMCAD X Version 14.6.14 (7483)

E Scan - measurement distance from the probe sensor center to CD3500 = 10mm & 15mm/Hearing Aid Compatibility Test at 15mm distance (41x121x1): Interpolated grid:

dx=0.5000 mm, dy=0.5000 mm

Device Reference Point: 0, 0, -6.3 mm

Reference Value = 40.93 V/m; Power Drift = 0.02 dB

PMR not calibrated. PMF = 1.000 is applied.

E-field emissions = 92.63 V/m

Average value of Total=(92.63+92.42) / 2 = 92.525 V/m

PMF scaled E-field

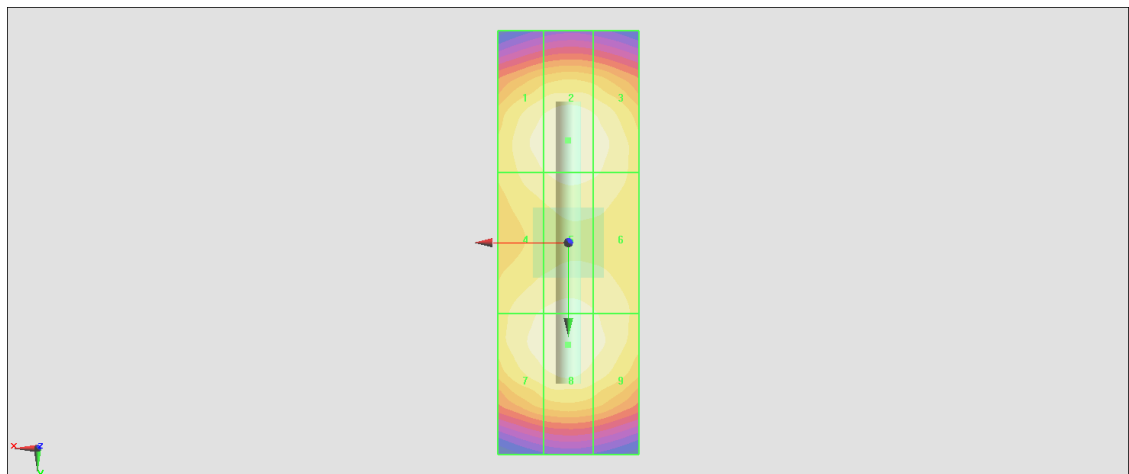
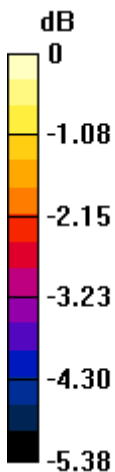
Grid 1 M3 90.75 V/m	Grid 2 M3 92.63 V/m	Grid 3 M3 90.96 V/m
Grid 4 M3 89.34 V/m	Grid 5 M3 90.53 V/m	Grid 6 M3 89.45 V/m
Grid 7 M3 90.78 V/m	Grid 8 M3 92.42 V/m	Grid 9 M3 90.21 V/m

Cursor:

Total = 92.63 V/m

E Category: M3

Location: 0, -14.5, 9.7 mm



0 dB = 92.63 V/m = 39.34 dBV/m