



# HEARING AID COMPATIBILITY RF EMISSIONS TEST REPORT

**FCC ID** : IHDT56ZC2  
**Equipment** : Mobile Cellular Phone  
**Brand Name** : Motorola  
**Model Name** : XT2075-2  
**M-Rating** : M3  
**Applicant** : Motorola Mobility, LLC  
222 W Merchandise Mart Plaza, Suite 1800, Chicago, IL 60654,  
United States  
**Manufacturer** : Motorola Mobility, LLC  
222 W Merchandise Mart Plaza, Suite 1800, Chicago, IL 60654,  
United States  
**Standard** : FCC 47 CFR §20.19  
ANSI C63.19-2011

The product was received on Jun. 08, 2020 and testing was started from Jul. 04, 2020 and completed on Jul. 07, 2020. We, SPORTON INTERNATIONAL INC., would like to declare that the tested sample has been evaluated in accordance with the test procedures and has been in compliance with the applicable technical standards.

The report must not be used by the client to claim product certification, approval, or endorsement by TAF or any agency of government.

The test results in this report apply exclusively to the tested model / sample. Without written approval of SPORTON INTERNATIONAL INC. EMC & Wireless Communications Laboratory, the test report shall not be reproduced except in full.

Approved by: Cona Huang / Deputy Manager

**SPORTON INTERNATIONAL INC. EMC & Wireless Communications Laboratory**  
No. 52, Huaya 1st Rd., Guishan Dist., Taoyuan City, Taiwan (R.O.C.)



**Table of Contents**

1. General Information..... 4

2. Testing Location..... 5

3. Applied Standards ..... 5

4. RF Audio Interference Level..... 5

5. Air Interface and Operating Mode..... 6

6. Measurement System Specification ..... 7

    6.1 E-Field Probe System..... 7

    6.2 Data Storage and Evaluation..... 8

7. RF Emissions Test Procedure..... 9

8. Test Equipment List .....12

9. Measurement System Validation .....13

10. Modulation Interference Factor.....14

11. Low-power Exemption.....16

12. Conducted RF Output Power (Unit: dBm).....19

13. HAC RF Emission Test Results.....21

14. Uncertainty Assessment .....23

15. References.....25

Appendix A. Plots of System Performance Check

Appendix B. Plots of RF Emission Measurement

Appendix C. DASYS Calibration Certificate

Appendix D. Test Setup Photos



### History of this test report

Report No.	Version	Description	Issued Date
HA050822-02A	Rev. 01	Initial issue of report	Jul. 10, 2020



**1. General Information**

Product Feature & Specification	
Applicant Name	Motorola Mobility, LLC
Equipment Name	Mobile Cellular Phone
Model Name	XT2075-2
Brand Name	Motorola
FCC ID	IHDT56ZC2
EUT Stage	Identical Prototype
Date Tested	2020/07/04 ~ 2020/07/07
Frequency Band	GSM850: 824.2 MHz ~ 848.8 MHz GSM1900: 1850.2 MHz ~ 1909.8 MHz WCDMA Band II: 1850 MHz ~ 1910 MHz WCDMA Band IV: 1710 MHz ~ 1755 MHz WCDMA Band V: 824 MHz ~ 849 MHz CDMA2000 BC0: 824.7 MHz ~ 848.31 MHz CDMA 2000 BC1: 1851.25 MHz ~ 1908.75 MHz CDMA 2000 BC10: 817.9 MHz ~ 823.1 MHz LTE Band 2: 1850 MHz ~ 1910 MHz LTE Band 4: 1710 MHz ~ 1755 MHz LTE Band 5: 824 MHz ~ 849 MHz LTE Band 7: 2500 MHz ~ 2570 MHz LTE Band 12: 699 MHz ~ 716 MHz LTE Band 13: 777 MHz ~ 787 MHz LTE Band 14: 788 MHz ~ 798 MHz LTE Band 17: 704 MHz ~ 716 MHz LTE Band 25: 1850 MHz ~ 1915 MHz LTE Band 26: 814 MHz ~ 849 MHz LTE Band 30: 2305 MHz ~ 2315 MHz LTE Band 38: 2570 MHz ~ 2620 MHz LTE Band 41: 2496 MHz ~ 2690 MHz LTE Band 66: 1710 MHz ~ 1780 MHz LTE Band 71: 663 MHz ~ 698 MHz 5G NR n2 : 1850 MHz ~ 1910 MHz 5G NR n5 : 824 MHz ~ 849 MHz 5G NR n25 : 1850 MHz ~ 1915 MHz 5G NR n41 : 2496 MHz ~ 2690 MHz 5G NR n66 : 1710 MHz ~ 1780 MHz 5G NR n71 : 663 MHz ~ 698 MHz WLAN 2.4GHz Band: 2400 MHz ~ 2483.5 MHz WLAN 5.2GHz Band: 5150 MHz ~ 5250 MHz WLAN 5.3GHz Band: 5250 MHz ~ 5350 MHz WLAN 5.6GHz Band: 5470 MHz ~ 5725 MHz WLAN 5.8GHz Band: 5725 MHz ~ 5825 MHz Bluetooth: 2400 MHz ~ 2483.5 MHz NFC : 13.56 MHz
Mode	GSM/GPRS/EGPRS RMC/AMR 12.2Kbps HSDPA HSUPA DC-HSDPA CDMA2000 : 1xRTT/1xEv-Do(Rev.0)/1xEv-Do(Rev.A) LTE: QPSK, 16QAM, 64QAM 5G NR: DFT-s-OFDM/CP-OFDM, Pi/2 BPSK/QPSK/16QAM/64QAM/256QAM WLAN: 802.11a/b/g/n/ac HT20/HT40/VHT20/VHT40/VHT80 Bluetooth BR/EDR/LE NFC:ASK

Reviewed by: **Jason Wang**  
 Report Producer: **Wan Liu**



## **2. Testing Location**

Sporton Lab is accredited to ISO 17025 by Taiwan Accreditation Foundation (TAF code: 1190) and the FCC designation No. TW1190 under the FCC 2.948(e) by Mutual Recognition Agreement (MRA) in FCC test.

Testing Laboratory	
Test Site	SPORTON INTERNATIONAL INC.
Test Site Location	No. 52, Huaya 1st Rd., Guishan Dist., Taoyuan City, Taiwan (R.O.C.) TEL: +886-3-327-3456 FAX: +886-3-328-4978
Test Site No.	Sporton Site No.: <b>SAR04-HY</b>

## **3. Applied Standards**

- FCC CFR47 Part 20.19
- ANSI C63.19-2011
- FCC KDB 285076 D01 HAC Guidance v05r01
- FCC KDB 285076 D03 HAC FAQ v01r01

## **4. RF Audio Interference Level**

FCC wireless hearing aid compatibility rules ensure that consumers with hearing loss are able to access wireless communications services through a wide selection of handsets without experiencing disabling radio frequency (RF) interference or other technical obstacles.

To define and measure the hearing aid compatibility of handsets, in CFR47 part 20.19 ANSI C63.19 is referenced. A handset is considered hearing aid-compatible for acoustic coupling if it meets a rating of at least M3 under ANSI C63.19, and A handset is considered hearing aid compatible for inductive coupling if it meets a rating of at least T3. According to ANSI C63.19 2011 version, for acoustic coupling, the RF electric field emissions of wireless communication devices should be measured and rated according to the emission level as below.

Emission Categories	E-field emissions	
	<960Mhz	>960Mhz
M1	50 to 55 dB (V/m)	40 to 45 dB (V/m)
M2	45 to 50 dB (V/m)	35 to 40 dB (V/m)
M3	40 to 45 dB (V/m)	30 to 35 dB (V/m)
M4	<40 dB (V/m)	<30 dB (V/m)

**Table 5.1 Telephone near-field categories in linear units**



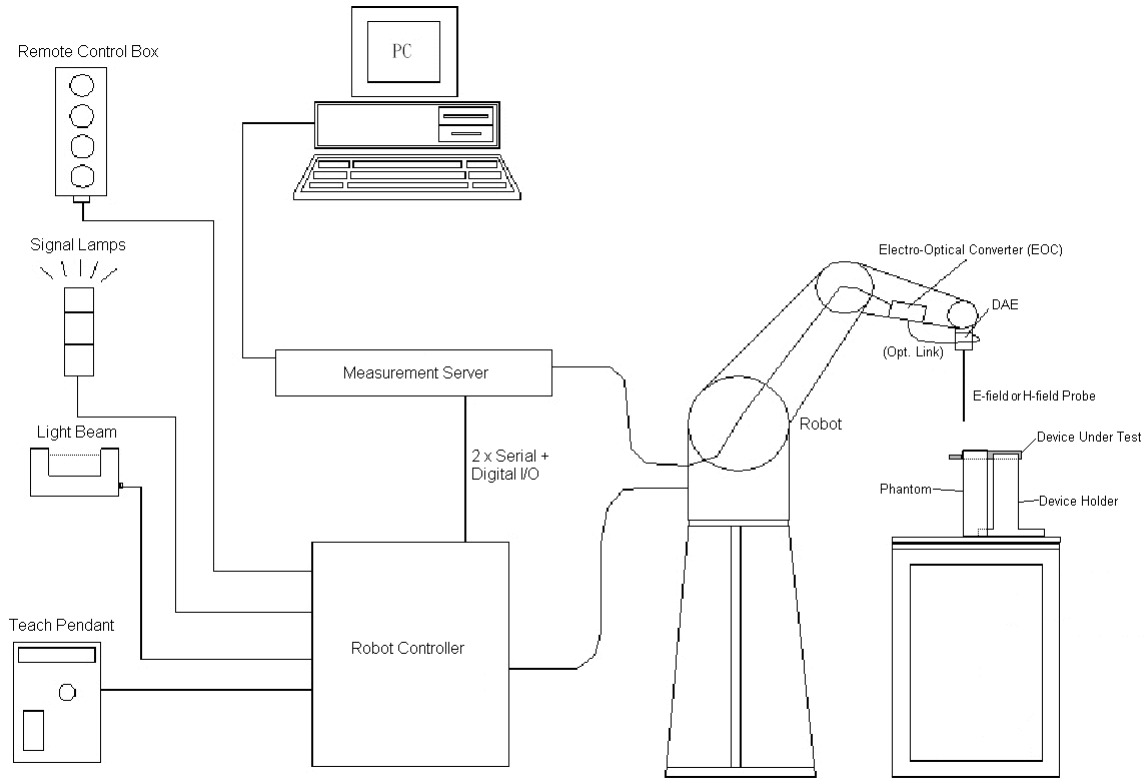
**5. Air Interface and Operating Mode**

Air Interface	Band MHz	Type	C63.19 Tested	Simultaneous Transmitter	Name of Voice Service	Power Reduction
GSM	GSM850	VO	Yes	WLAN, BT	CMRS Voice	No
	GSM1900			WLAN, BT		No
	EDGE850	VD	Yes	WLAN, BT	Google Duo	No
	EDGE1900			WLAN, BT		
WCDMA	850	VO	No <sup>(1)</sup>	WLAN, BT	CMRS Voice	No
	1750			WLAN, BT		No
	1900			WLAN, BT		No
	HSPA	VD	No <sup>(1)</sup>	WLAN, BT	Google Duo	No
CDMA	BC0	VO	Yes	WLAN, BT	CMRS Voice	No
	BC1			WLAN, BT		No
	EVDO	VD	No <sup>(1)</sup>	WLAN, BT	Google Duo	No
LTE (FDD)	Band 2	VD	No <sup>(1)</sup>	5G NR, WLAN, BT	VoLTE / Google Duo	No
	Band 4			5G NR, WLAN, BT		No
	Band 5			5G NR, WLAN, BT		No
	Band 7			5G NR, WLAN, BT		No
	Band 12			5G NR, WLAN, BT		No
	Band 13			5G NR, WLAN, BT		No
	Band 14			5G NR, WLAN, BT		No
	Band 17			5G NR, WLAN, BT		No
	Band 25			5G NR, WLAN, BT		No
	Band 26			5G NR, WLAN, BT		No
	Band 30			5G NR, WLAN, BT		No
	Band 66			5G NR, WLAN, BT		No
	Band 71			5G NR, WLAN, BT		No
LTE (TDD)	Band 38	VD	Yes	5G NR, WLAN, BT	VoLTE / Google Duo	No
	Band 41			5G NR, WLAN, BT		No
NR (TDD)	n2	VD	No <sup>(2)</sup>	LTE, WLAN, BT	Google Duo	No
	n5			LTE, WLAN, BT		No
	n25			LTE, WLAN, BT		No
	n66			LTE, WLAN, BT		No
	n71			LTE, WLAN, BT		No
	n41			LTE, WLAN, BT		No
Wi-Fi	2450	VD	Yes	GSM,WCDMA,CDMA,LTE, 5G NR, BT	VoWiFi / Google Duo	No
	5200					No
	5300					No
	5500					No
BT	2450	DT	No	GSM,WCDMA,CDMA,LTE, 5G NR, WiFi	NA	No

Type Transport:  
 VO= Voice only  
 DT= Digital Transport only (no voice)  
 VD= CMRS and IP Voice Service over Digital Transport

Remark:  
 1. The air interface is exempted from testing by low power exemption that its average antenna input power plus its MIF is ≤17 dBm, and is rated as M4.  
 2. The device have similar frequency in some LTE bands: LTE B38/41, since the supported frequency spans for the smaller LTE bands are completely cover by the larger LTE bands, therefore, only larger LTE bands were required to be tested for hearing-aid compliance.

## 6. Measurement System Specification



**Fig 5.1 System Configurations**

### 6.1 E-Field Probe System

#### E-Field Probe Specification

<ER3DV6>

<b>Construction</b>	One dipole parallel, two dipoles normal to probe axis Built-in shielding against static charges
<b>Calibration</b>	In air from 100 MHz to 3.0 GHz (absolute accuracy $\pm 6.0\%$ , k=2)
<b>Frequency</b>	100 MHz to 6 GHz; Linearity: $\pm 2.0$ dB (100 MHz to 3 GHz)
<b>Directivity</b>	$\pm 0.2$ dB in air (rotation around probe axis) $\pm 0.4$ dB in air (rotation normal to probe axis)
<b>Dynamic Range</b>	2 V/m to 1000 V/m (M3 or better device readings fall well below diode compression point)
<b>Linearity</b>	$\pm 0.2$ dB
<b>Dimensions</b>	Overall length: 330 mm (Tip: 16 mm) Tip diameter: 8 mm (Body: 12 mm) Distance from probe tip to dipole centers: 2.5 mm



**Fig 5.2 Photo of E-field Probe**

#### Probe Tip Description:

HAC field measurements take place in the close near field with high gradients. Increasing the measuring distance from the source will generally decrease the measured field values (in case of the validation dipole approx. 10% per mm).



6.2 Data Storage and Evaluation

The DASYS software stores the assessed data from the data acquisition electronics as raw data (in microvolt readings from the probe sensors), together with all the necessary software parameters for the data evaluation (probe calibration data, and device frequency and modulation data) in measurement files.

<b>Probe parameters :</b>	- Sensitivity	Norm <sub>i</sub> , a <sub>i0</sub> , a <sub>i1</sub> , a <sub>i2</sub>
	- Conversion factor	ConvF <sub>i</sub>
	- Diode compression point	dcp <sub>i</sub>
<b>Device parameters :</b>	- Frequency	f
	- Crest factor	cf
<b>Media parameters :</b>	- Conductivity	σ
	- Density	ρ

The formula for each channel can be given as :

$$V_i = U_i + U_i^2 \cdot \frac{cf}{dcp_i}$$

- with V<sub>i</sub> = compensated signal of channel i, (i = x, y, z)
- U<sub>i</sub> = input signal of channel i, (i = x, y, z)
- cf = crest factor of exciting field (DASY parameter)
- dcp<sub>i</sub> = diode compression point (DASY parameter)

From the compensated input signals, the primary field data for each channel can be evaluated :

$$\text{E-field Probes : } E_i = \sqrt{\frac{V_i}{\text{Norm}_i \cdot \text{ConvF}}}$$

- with V<sub>i</sub> = compensated signal of channel i, (i = x, y, z)
- Norm<sub>i</sub> = sensor sensitivity of channel i, (i = x, y, z), μV/(V/m)<sup>2</sup> for E-field Probes
- ConvF = sensitivity enhancement in solution
- f = carrier frequency [GHz]
- E<sub>i</sub> = electric field strength of channel i in V/m

The RSS value of the field components gives the total field strength (Hermitian magnitude) :

$$E_{tot} = \sqrt{E_x^2 + E_y^2 + E_z^2}$$

The primary field data are used to calculate the derived field units.



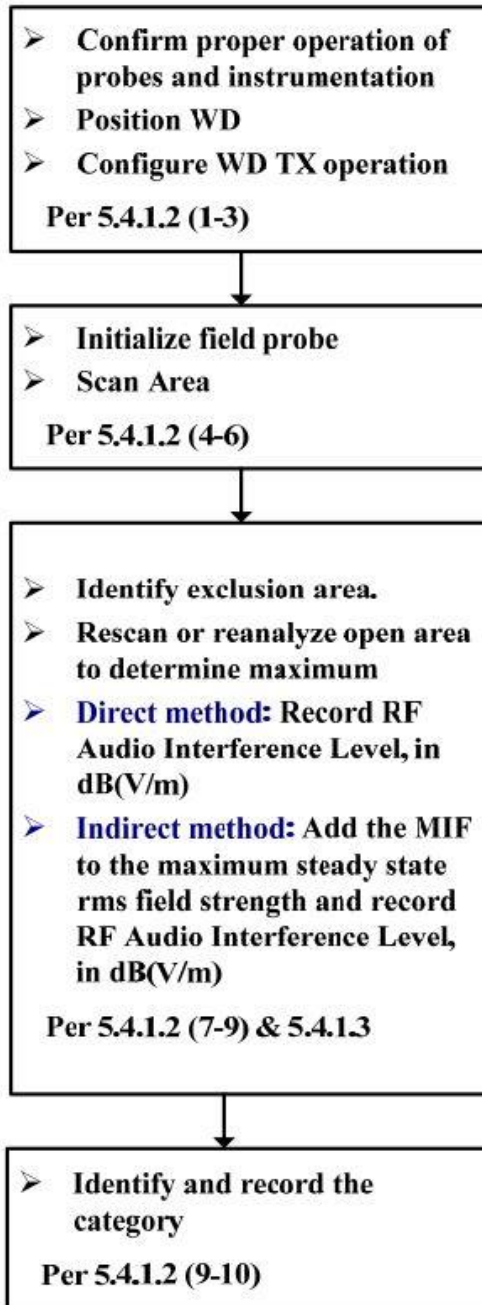


## **7. RF Emissions Test Procedure**

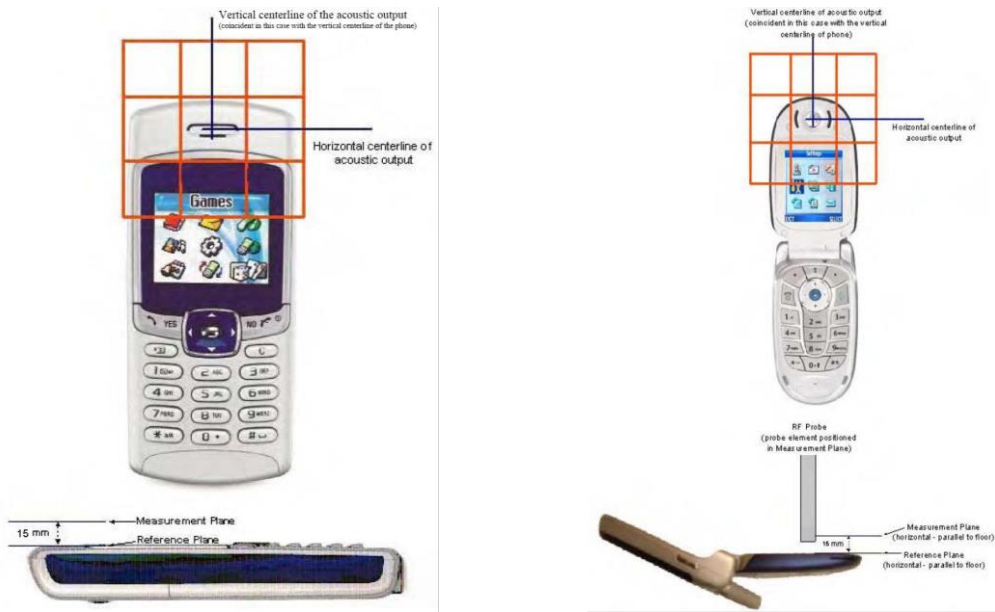
Referenced from ANSI C63.19 -2011 section 5.5.1

- a. Confirm the proper operation of the field probe, probe measurement system, and other instrumentation and the positioning system.
- b. Position the WD in its intended test position.
- c. Set the WD to transmit a fixed and repeatable combination of signal power and modulation characteristic that is representative of the worst case (highest interference potential) encountered in normal use. Transiently occurring start-up, changeover, or termination conditions, or other operations likely to occur less than 1% of the time during normal operation, may be excluded from consideration.
- d. The center sub-grid shall be centered on the T-Coil mode perpendicular measurement point or the acoustic output, as appropriate. Locate the field probe at the initial test position in the 50 mm by 50 mm grid, which is contained in the measurement plane, refer to illustrated in Figure 8.2. If the field alignment method is used, align the probe for maximum field reception.
- e. Record the reading at the output of the measurement system.
- f. Scan the entire 50 mm by 50 mm region in equality spaced increments and record the reading at each measurement point, The distance between measurement points shall be sufficient to assure the identification of the maximum reading.
- g. Identify the five contiguous sub-grids around the center sub-grid whose maximum reading is the lowest of all available choices. This eliminates the three sub-grids with the maximum readings. Thus, the six areas to be used to determine the WD's highest emissions are identified.
- h. Identify the maximum reading within the non-excluded sub-grids identified in step g).
  - i. Indirect measurement method
  - j. The RF audio interference level in dB (V/m) is obtained by adding the MIF (in dB) to the maximum steady-state rms field-strength reading, in dB (V/m)
- k. Compare this RF audio interference level with the categories in ANSI C63.19-2011 clause 8 and record the resulting WD category rating.
- l. For the T-Coil perpendicular measurement location is  $\geq 5.0$  mm from the center of the acoustic output, then two different 50 mm by 50 mm areas may need to be scanned, the first for the microphone mode assessment and the second for the T-Coil assessment.
- m. The second for the T-Coil assessment, with the grid shifted so that it is centered on the perpendicular measurement point. Record the WD category rating.

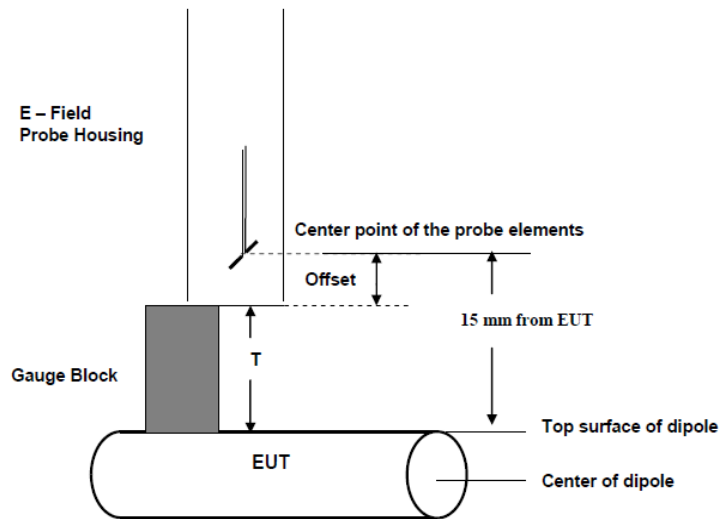
**Test Instructions**



**Figure 8.1 RF Emissions Flow Chart**



**Fig 8.2 EUT reference and plane for HAC RF emission measurements**



**Fig. 8.3 Gauge block with E-field probe**



8. Test Equipment List

Table with 6 columns: Manufacturer, Name of Equipment, Type/Model, Serial Number, Last Cal., Due Date. Rows include various equipment like Calibration Dipole, Thermometer, Base Station, Signal Generator, etc.

Note:

- 1. NCR: "No-Calibration Required"
2. The dipole calibration interval can be extended to 3 years with justification according to KDB 865664 D01. The dipoles are also not physically damaged, or repaired during the interval.

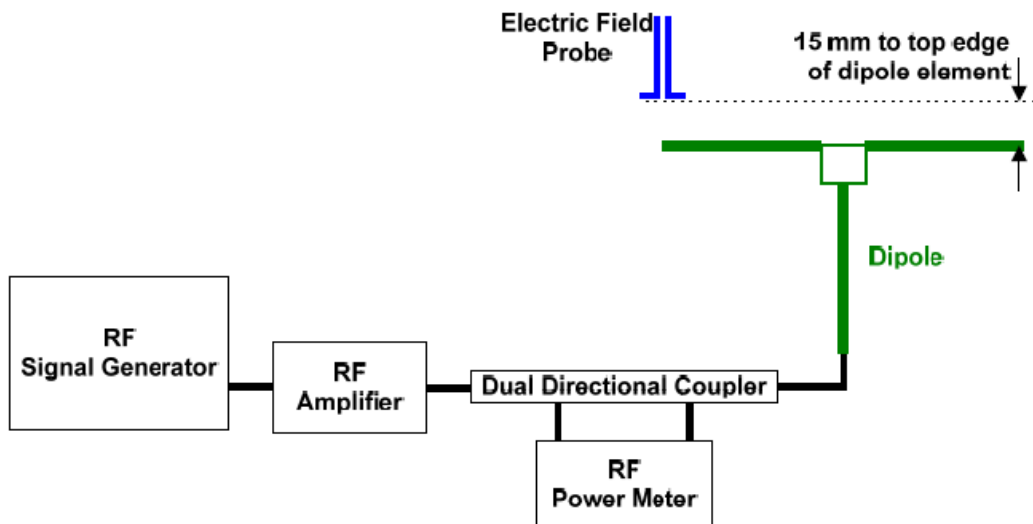
### 9. Measurement System Validation

Each DASY system is equipped with one or more system validation kits. These units, together with the predefined measurement procedures within the DASY software, enable the user to conduct the system performance check and system validation. System validation kit includes a dipole, tripod holder to fix it underneath the test Arch and a corresponding distance holder.

The system performance check verifies that the system operates within its specifications. System and operator errors can be detected and corrected. It is recommended that the system performance check be performed prior to any usage of the system in order to guarantee reproducible results. The system performance check uses normal HAC measurements in a simplified setup with a well characterized source. This setup was selected to give a high sensitivity to all parameters that might fail or vary over time. The system check does not intend to replace the calibration of the components, but indicates situations where the system uncertainty is exceeded due to drift or failure.

**<Test Setup>**

1. In the simplified setup for system evaluation, the EUT is replaced by a calibrated dipole and the power source is replaced by a continuous wave which comes from a signal generator.
2. The center point of the probe element(s) is 15mm from the closest surface of the dipole elements.
3. The calibrated dipole must be placed beneath the arch phantom. The equipment setup is shown below:
4. The output power on dipole port must be calibrated to 20dBm (100mW) before dipole is connected.



**Fig. 7.1 Setup Diagram**

**<Validation Results>**

Comparing to the original E-field value provided by SPEAG, the verification data should be within its specification of 25 %. Table 6.1 shows the target value and measured value. The table below indicates the system performance check can meet the variation criterion and the plots can be referred to appendix A of this report.

$$\text{Deviation} = ((\text{Average E-field Value}) - (\text{Target value})) / (\text{Target value}) * 100\%$$

Frequency (MHz)	Input Power (dBm)	Target Value (V/m)	E-Field 1 (V/m)	E-Field 2 (V/m)	Average Value (V/m)	Deviation (%)	Date
835	20	108.8	110	107.8	108.9	0.09	Jul 04, 2020
1880	20	89.5	90.88	91.88	91.38	2.10	Jul 04, 2020
2450	20	84.1	85.31	85.25	85.28	1.40	Jul 07, 2020
2600	20	84.5	86.25	87.56	86.905	2.85	Jul 06, 2020
5500	20	99.8	89.21	94.46	91.835	-7.98	Jul 07, 2020



## **10. Modulation Interference Factor**

The HAC Standard ANSI C63.19-2011 defines a new scaling using the Modulation Interference Factor (MIF). For any specific fixed and repeatable modulated signal, a modulation interference factor (MIF, expressed in dB) may be developed that relates its interference potential to its steady-state rms signal level or average power level. This factor is a function only of the audio-frequency amplitude modulation characteristics of the signal and is the same for field-strength and conducted power measurements. It is important to emphasize that the MIF is valid only for a specific repeatable audio-frequency amplitude modulation characteristic. Any change in modulation characteristic requires determination and application of a new MIF

The Modulation Interference factor (MIF, in dB) is added to the measured average E-field (in dBV/m) and converts it to the RF Audio Interference level (in dBV/m). This level considers the audible amplitude modulation components in the RF E-field. CW fields without amplitude modulation are assumed to not interfere with the hearing aid electronics. Modulations without time slots and low fluctuations at low frequencies have low MIF values, TDMA modulations with narrow transmission and repetition rates of few 100 Hz have high MIF values and give similar classifications as ANSI C63.19-2011.

ER3D, EF3D and EU2D E-field probes have a bandwidth <10 kHz and can therefore not evaluate the RF envelope in the full audio band. DASY52 is therefore using the indirect measurement method according to ANSI C63.19-2011 which is the primary method. These near field probes read the averaged E-field measurement. Especially for the new high peak-to-average (PAR) signal types, the probes shall be linearized by PMR calibration in order to not overestimate the field reading. Probe Modulation Response (PMR) calibration linearizes the probe response over its dynamic range for specific modulations which are characterized by their UID and result in an uncertainty specified in the probe calibration certificate. The MIF is characteristic for a given waveform envelope and can be used as a constant conversion factor if the probe has been PMR calibrated.

The evaluation method for the MIF is defined in ANSI C63.19-2011 section D.7. An RMS demodulated RF signal is fed to a spectral filter (similar to an A weighting filter) and forwarded to a temporal filter acting as a quasi-peak detector. The averaged output of these filtering is scaled to a 1 kHz 80% AM signal as reference. MIF measurement requires additional instrumentation and is not well suited for evaluation by the end user with reasonable uncertainty. It may alternatively be determined through analysis and simulation, because it is constant and characteristic for a communication signal. DASY52 uses well-defined signals for PMR calibration. The MIF of these signals has been determined by simulation and it is automatically applied.

The MIF measurement uncertainty is estimated as follows, declared by HAC equipment provider SPEAG, for modulation frequencies from slotted waveforms with fundamental frequency and at least 2 harmonics within 10 kHz:

1. 0.2 dB for MIF: -7 to +5 dB
2. 0.5 dB for MIF: -13 to +11 dB
3. 1 dB for MIF: > -20 dB

MIF values applied in this test report were provided by the HAC equipment provider of SPEAG, and the worst values for all air interface are listed below to determine the Low-power Exemption.



UID	Communication System Name	MIF(dB)
10021	GSM-FDD(TDMA,GMSK)	3.63
10025	EDGE-FDD (TDMA, 8PSK, TN 0)	3.75
10460	UMTS-FDD(WCDMA, AMR)	-25.43
10225	UMTS-FDD (HSPA+)	-20.39
10081	CDMA2000 (1xRTT, RC3)	-19.71
10295	CDMA2000 (1xRTT, RC1 SO3, 1/8th Rate 25 fr.)	3.26
10403	CDMA2000 (1xEV-DO, Rev. 0)	-17.67
10170	LTE-FDD(SC-FDMA,1RB,20MHz,16-QAM)	-9.76
10173	LTE-TDD (SC-FDMA, 1 RB, 20 MHz, 16-QAM)	-1.44
10769	5G NR (CP-OFDM, 1 RB, 15 MHz, QPSK, 15 kHz)	-12.08
10061	IEEE 802.11b WiFi 2.4 GHz (DSSS, 11 Mbps)	-2.02
10077	IEEE 802.11g WiFi 2.4 GHz (DSSS/OFDM, 54 Mbps)	0.12
10427	IEEE 802.11n (HT Greeneld, 150 Mbps, 64-QAM)	-13.44
10069	IEEE 802.11a/h WiFi 5 GHz (OFDM, 54 Mbps)	-3.15
10616	IEEE 802.11ac WiFi (40MHz, MCS0, 90pc duty cycle)	-5.57



### 11. Low-power Exemption

<Max Tune-up Limit>

Frequency Band		Average Power (dBm)		
		Ant 1	Ant 2	
GSM	GSM850	33.5		
	EDGE850	27		
	GSM1900	30.5		
	EDGE1900	25.5		
WCDMA	Band II	24		
	Band IV	24		
	Band V	24		
	HSPA	23		
CDMA	BC0	25		
	BC1	25		
	BC10	25		
	1xEvDO	25		
FDD LTE	Band 2	24	13	
	Band 4	24	12	
	Band 5	24	19.5	
	Band 7	24		
	Band 12	24	20	
	Band 13	24		
	Band 14	24		
	Band 17	24		
	Band 25	24		
	Band 26	24		
	Band 30	24	17	
	Band 66	24	12	
TDD LTE	Band 38	QPSK	24	
		16QAM	23	
		64QAM	22	
	Band 41	QPSK	24	17.5
		16QAM	23	17.5
		64QAM	22	17.5
	Band 41 HPU	QPSK	27	26
		16QAM	26	25
		64QAM	25	24
5G NR	n2	24	14	
	n5	24	21	
	n25		14	
	n66	24	14.5	
	n71		24	
	n41	24		
	n41 HPUE	27		





Frequency Band		Average Power (dBm)
		Ant. 1+2
2.4GHz WLAN	802.11b	21.5
	802.11g	21.5
	802.11n-HT20	21.5
5GHz WLAN	802.11a	21.5
	802.11n-HT20	21
	802.11n-HT40	20
	802.11ac-VHT20	21
	802.11ac-VHT40	20
	802.11ac-VHT80	20

**<Low Power Exemption>**

**General Note:**

- EDGE data modes and 11b is not necessary due the GSM Voice mode and 11g is the worst case.
- According to ANSI C63.19 2011-version, for the air interface technology of a device is exempt from testing when its average antenna input power plus its MIF is  $\leq 17$  dBm for any of its operating modes.
- HAC RF rating is M4 for the air interface which meets the low power exemption.

WWAN Ant 1				
Air Interface	Max Average Antenna Input Power (dBm)	Worst Case MIF (dB)	Power + MIF(dB)	C63.19 test required
GSM850	33.5	3.63	37.13	Yes
EDGE850	27	3.75	30.75	Yes <sup>(1)</sup>
GSM1900	30.5	3.63	34.13	Yes
EDGE1900	25.5	3.75	29.25	Yes <sup>(1)</sup>
WCDMA	24	-25.43	-1.43	No
WCDMA - HSPA	23	-20.39	2.61	No
CDMA Full Frame Rate	25	-19.71	5.29	No
CDMA 1/8th Frame Rate	25	3.26	28.26	Yes
CDMA - EVDO	25	-17.67	7.33	No
LTE - FDD	24	-9.76	14.24	No
LTE – TDD	24	-1.44	22.56	Yes
LTE – TDD HPUE	27	-1.44	25.56	Yes
5G FR1 - FDD	24	-12.08	11.92	No
5G FR1 - TDD	24	-12.08	11.92	No
5G FR1 – TDD HPUE	27	-12.08	14.92	No

WWAN Ant 2				
Air Interface	Max Average Antenna Input Power (dBm)	Worst Case MIF (dB)	Power + MIF(dB)	C63.19 test required
LTE - FDD	20	-9.76	10.24	No
LTE – TDD	17.5	-1.44	16.06	No
LTE – TDD HPUE	26	-1.44	24.56	Yes
5G FR1 - FDD	24	-12.08	11.92	No



WLAN Ant 1+2				
Air Interface	Max Average Antenna Input Power (dBm)	Worst Case MIF (dB)	Power + MIF(dB)	C63.19 test required
802.11b	21.5	-2.02	19.48	Yes <sup>(1)</sup>
802.11g	21.5	0.12	21.62	Yes
802.11n-HT20	21.5	-13.44	8.06	No
802.11a	21.5	-3.15	18.35	Yes
802.11n-HT20	21	-13.44	7.56	No
802.11n-HT40	20	-13.44	6.56	No
802.11ac-VHT20	21	-5.57	15.43	No
802.11ac-VHT40	20	-5.57	14.43	No
802.11ac-VHT80	20	-5.57	14.43	No



**12. Conducted RF Output Power (Unit: dBm)**

Average Antenna Input Power(dBm)						
Band	GSM850			GSM1900		
Channel	128	189	251	512	661	810
Frequency (MHz)	824.2	836.4	848.8	1850.2	1880.0	1909.8
GSM (GMSK, 1 Tx slot)	32.67	32.61	32.44	29.57	30.05	29.98

Average Antenna Input Power(dBm)									
Band	CDMA2000 BC0			CDMA2000 BC1			CDMA2000 BC10		
TX Channel	1013	384	777	25	600	1175	476	580	684
Frequency (MHz)	824.7	836.52	848.31	1851.25	1880	1908.75	817.9	820.5	823.1
1xRTT RC1 SO3, 1/8th Rate	24.16	24.14	24.07	24.45	24.67	24.65	24.26	24.24	24.27

**<TDD LTE Band 41\_Ant 1>**

BW [MHz]	Modulation	RB Size	RB Offset	Power Low Ch. / Freq.	Power Low Middle Ch. / Freq.	Power Middle Ch. / Freq.	Power High Middle Ch. / Freq.	Power High Ch. / Freq.
Channel				39750	40185	40620	41055	41490
Frequency (MHz)				2506	2549.5	2593	2636.5	2680
20	QPSK	1	0	22.62	22.71	22.75	22.73	22.71

**<TDD LTE Band 41 HPUE\_Ant 1>**

BW [MHz]	Modulation	RB Size	RB Offset	Power Low Ch. / Freq.	Power Low Middle Ch. / Freq.	Power Middle Ch. / Freq.	Power High Middle Ch. / Freq.	Power High Ch. / Freq.
Channel				39750	40185	40620	41055	41490
Frequency (MHz)				2506	2549.5	2593	2636.5	2680
20	QPSK	1	0	25.28	25.51	25.58	25.45	25.50

**<TDD LTE Band 41 HPUE\_Ant 2>**

BW [MHz]	Modulation	RB Size	RB Offset	Power Low Ch. / Freq.	Power Low Middle Ch. / Freq.	Power Middle Ch. / Freq.	Power High Middle Ch. / Freq.	Power High Ch. / Freq.
Channel				39750	40185	40620	41055	41490
Frequency (MHz)				2506	2549.5	2593	2636.5	2680
20	QPSK	1	0	24.91	24.96	25.06	24.81	24.78

**<WLAN 2.4GHz>**

2.4GHz WLAN	Mode	Channel	Frequency (MHz)	Average power (dBm)
802.11g 6Mbps		1	2412	20.83
		6	2437	21.04
		11	2462	19.57



<WLAN 5GHz>

5.2GHz WLAN ANT 1+2	Mode	Channel	Frequency (MHz)	Average power (dBm)
	802.11a	CH 36	5180	19.52
		CH 40	5200	20.19
		CH 44	5220	20.42
		CH 48	5240	20.58

5.3GHz WLAN ANT 1+2	Mode	Channel	Frequency (MHz)	Average power (dBm)
	802.11a	CH 52	5260	20.35
		CH 56	5280	20.42
		CH 60	5300	20.32
		CH 64	5320	20.41

5.5GHz WLAN ANT 1+2	Mode	Channel	Frequency (MHz)	Average power (dBm)
	802.11a	CH 100	5500	20.59
		CH 116	5580	20.77
		CH 132	5660	20.74
		CH 140	5700	20.53

5.8GHz WLAN ANT 1+2	Mode	Channel	Frequency (MHz)	Average power (dBm)
	802.11a	CH 149	5745	20.98
		CH 157	5785	20.55
		CH 165	5825	20.94



**13. HAC RF Emission Test Results**

Plot No.	Air Interface	Mode	Channel	Transmit Ant.	Average Antenna Input Power (dBm)	MIF	E-Field (dBV/m)	Margin to FCC M3 limit (dB)	E-Field M Rating
1	GSM850	GSM Voice	128	ANT1	32.67	3.63	32.12	12.88	M4
2	GSM850	GSM Voice	189	ANT1	32.61	3.63	33.03	11.97	M4
3	GSM850	GSM Voice	251	ANT1	32.44	3.63	32.69	12.31	M4
4	GSM1900	GSM Voice	512	ANT1	29.57	3.63	16.28	18.72	M4
5	GSM1900	GSM Voice	661	ANT1	30.05	3.63	16.95	18.05	M4
6	GSM1900	GSM Voice	810	ANT1	29.98	3.63	16.32	18.68	M4
7	CDMA BC0	1xRTT, RC1 SO68, 18th Rate	1013	ANT1	24.16	3.26	32.59	12.41	M4
8	CDMA BC0	1xRTT, RC1 SO68, 18th Rate	384	ANT1	24.14	3.26	32.59	12.41	M4
9	CDMA BC0	1xRTT, RC1 SO68, 18th Rate	777	ANT1	24.07	3.26	32.22	12.78	M4
10	CDMA BC1	1xRTT, RC1 SO68, 18th Rate	25	ANT1	24.45	3.26	26.58	8.42	M4
11	CDMA BC1	1xRTT, RC1 SO68, 18th Rate	600	ANT1	24.67	3.26	25.48	9.52	M4
12	CDMA BC1	1xRTT, RC1 SO68, 18th Rate	1175	ANT1	24.65	3.26	24.91	10.09	M4
13	CDMA BC10	1xRTT, RC1 SO68, 18th Rate	476	ANT1	24.26	3.26	33.98	11.02	M4
14	CDMA BC10	1xRTT, RC1 SO68, 18th Rate	580	ANT1	24.24	3.26	34.13	10.87	M4
15	CDMA BC10	1xRTT, RC1 SO68, 18th Rate	684	ANT1	24.27	3.26	33.80	11.20	M4
16	LTE Band 41	20M_QPSK_1_0	39750	ANT1	22.62	-1.44	20.36	14.64	M4
17	LTE Band 41	20M_QPSK_1_0	40185	ANT1	22.71	-1.44	20.31	14.69	M4
18	LTE Band 41	20M_QPSK_1_0	40620	ANT1	22.75	-1.44	19.72	15.28	M4
19	LTE Band 41	20M_QPSK_1_0	41055	ANT1	22.73	-1.44	19.14	15.86	M4
20	LTE Band 41	20M_QPSK_1_0	41490	ANT1	22.71	-1.44	19.22	15.78	M4
21	LTE Band 41_HPUE	20M_QPSK_1_0	39750	ANT1	25.28	-1.44	19.23	15.77	M4
22	LTE Band 41_HPUE	20M_QPSK_1_0	40185	ANT1	25.51	-1.44	19.42	15.58	M4
23	LTE Band 41_HPUE	20M_QPSK_1_0	40620	ANT1	25.58	-1.44	19.19	15.81	M4
24	LTE Band 41_HPUE	20M_QPSK_1_0	41055	ANT1	25.45	-1.44	18.54	16.46	M4
25	LTE Band 41_HPUE	20M_QPSK_1_0	41490	ANT1	25.50	-1.44	21.45	13.55	M4
26	LTE Band 41_HPUE	20M_QPSK_1_0	39750	ANT2	24.91	-1.44	18.54	16.46	M4
27	LTE Band 41_HPUE	20M_QPSK_1_0	40185	ANT2	24.96	-1.44	18.42	16.58	M4
28	LTE Band 41_HPUE	20M_QPSK_1_0	40620	ANT2	25.06	-1.44	18.31	16.69	M4
29	LTE Band 41_HPUE	20M_QPSK_1_0	41055	ANT2	24.81	-1.44	18.47	16.53	M4
30	LTE Band 41_HPUE	20M_QPSK_1_0	41490	ANT2	24.78	-1.44	18.39	16.61	M4



Plot No.	Air Interface	Mode	Channel	Transmit Ant.	Average Antenna Input Power (dBm)	MIF	E-Field (dBV/m)	Margin to FCC M3 limit (dB)	E-Field M Rating
31	WLAN2.4GHz	802.11g 6Mbps	1	Ant 1+2	20.83	0.12	32.55	2.45	M3
32	WLAN2.4GHz	802.11g 6Mbps	6	Ant 1+2	21.04	0.12	31.75	3.25	M3
33	WLAN2.4GHz	802.11g 6Mbps	11	Ant 1+2	19.57	0.12	30.74	4.26	M3
34	WLAN5GHz	802.11a 6Mbps	36	Ant 1+2	19.52	-3.15	19.19	15.81	M4
35	WLAN5GHz	802.11a 6Mbps	40	Ant 1+2	20.19	-3.15	19.39	15.61	M4
36	WLAN5GHz	802.11a 6Mbps	44	Ant 1+2	20.42	-3.15	19.32	15.68	M4
37	WLAN5GHz	802.11a 6Mbps	48	Ant 1+2	20.58	-3.15	19.33	15.67	M4
38	WLAN5GHz	802.11a 6Mbps	52	Ant 1+2	20.35	-3.15	19.18	15.82	M4
39	WLAN5GHz	802.11a 6Mbps	56	Ant 1+2	20.42	-3.15	19.17	15.83	M4
40	WLAN5GHz	802.11a 6Mbps	60	Ant 1+2	20.32	-3.15	20.14	14.86	M4
41	WLAN5GHz	802.11a 6Mbps	64	Ant 1+2	20.41	-3.15	19.86	15.14	M4
42	WLAN5GHz	802.11a 6Mbps	100	Ant 1+2	20.59	-3.15	20.62	14.38	M4
43	WLAN5GHz	802.11a 6Mbps	116	Ant 1+2	20.77	-3.15	21.08	13.92	M4
44	WLAN5GHz	802.11a 6Mbps	132	Ant 1+2	20.74	-3.15	21.34	13.66	M4
45	WLAN5GHz	802.11a 6Mbps	140	Ant 1+2	20.53	-3.15	21.00	14.00	M4
46	WLAN5GHz	802.11a 6Mbps	149	Ant 1+2	20.98	-3.15	21.32	13.68	M4
47	WLAN5GHz	802.11a 6Mbps	157	Ant 1+2	20.55	-3.15	21.19	13.81	M4
48	WLAN5GHz	802.11a 6Mbps	165	Ant 1+2	20.94	-3.15	22.13	12.87	M4

**Remark:**

- 1. The HAC measurement system applies MIF value onto the measured RMS E-field, which is indirect method in ANSI C63.19 2011 version, and reports the RF audio interference level.
- 2. Phone Condition: Mute on; Backlight off; Max Volume

Test Engineer : Bevis Chang, Nick Yu and Tom Jiang



## **14. Uncertainty Assessment**

The component of uncertainty may generally be categorized according to the methods used to evaluate them. The evaluation of uncertainty by the statistical analysis of a series of observations is termed a Type A evaluation of uncertainty. The evaluation of uncertainty by means other than the statistical analysis of a series of observation is termed a Type B evaluation of uncertainty. Each component of uncertainty, however evaluated, is represented by an estimated standard deviation, termed standard uncertainty, which is determined by the positive square root of the estimated variance.

The combined standard uncertainty of the measurement result represents the estimated standard deviation of the result. It is obtained by combining the individual standard uncertainties of both Type A and Type B evaluation using the usual “root-sum-squares” (RSS) methods of combining standard deviations by taking the positive square root of the estimated variances. Expanded uncertainty is a measure of uncertainty that defines an interval about the measurement result within which the measured value is confidently believed to lie. It is obtained by multiplying the combined standard uncertainty by a coverage factor. For purpose of this document, a coverage factor two is used, which corresponds to confidence interval of about 95 %. The DASy uncertainty Budget is showed in Table 12.1.

The judgment of conformity in the report is based on the measurement results excluding the measurement uncertainty.



Error Description	Uncertainty Value (±%)	Probability Distribution	Divisor	Ci (E)	Standard Uncertainty (E)
<b>Measurement System</b>					
Probe Calibration	5.1	Normal	1	1	± 5.1 %
Axial Isotropy	4.7	Rectangular	√3	1	± 2.7 %
Sensor Displacement	16.5	Rectangular	√3	1	± 9.5 %
Boundary Effects	2.4	Rectangular	√3	1	± 1.4 %
Phantom Boundary Effects	7.2	Rectangular	√3	1	± 4.1 %
Linearity	4.7	Rectangular	√3	1	± 2.7 %
Scaling with PMR Calibration	10.0	Rectangular	√3	1	± 5.77 %
System Detection Limit	1.0	Rectangular	√3	1	± 0.6 %
Readout Electronics	0.3	Normal	1	1	± 0.3 %
Response Time	0.8	Rectangular	√3	1	± 0.5 %
Integration Time	2.6	Rectangular	√3	1	± 1.5 %
RF Ambient Conditions	3.0	Rectangular	√3	1	± 1.7 %
RF Reflections	12.0	Rectangular	√3	1	± 6.9 %
Probe Positioner	1.2	Rectangular	√3	1	± 0.7 %
Probe Positioning	4.7	Rectangular	√3	1	± 2.7 %
Extrap. and Interpolation	1.0	Rectangular	√3	1	± 0.6 %
<b>Test Sample Related</b>					
Device Positioning Vertical	4.7	Rectangular	√3	1	± 2.7 %
Device Positioning Lateral	1.0	Rectangular	√3	1	± 0.6 %
Device Holder and Phantom	2.4	Rectangular	√3	1	± 1.4 %
Power Drift	5.0	Rectangular	√3	1	± 2.9 %
<b>Phantom and Setup Related</b>					
Phantom Thickness	2.4	Rectangular	√3	1	± 1.4 %
Combined Standard Uncertainty					± 16.30 %
Coverage Factor for 95 %					K = 2
Expanded Std. Uncertainty on Power					± 32.6 %
Expanded Std. Uncertainty on Field					± 16.3 %

**Table 12.1 Uncertainty Budget of HAC free field assessment**

**Remark:**

Worst-Case uncertainty budget for HAC free field assessment according to ANSIC63.19 [1], [2]. The budget is valid for the frequency range 700 MHz - 3 GHz and represents a worst case analysis.





## **15. References**

- [1] ANSI C63.19-2011, "American National Standard for Methods of Measurement of Compatibility between Wireless Communications Devices and Hearing Aids", 27 May 2011.
- [2] FCC KDB 285076 D01v05r01, "Equipment Authorization Guidance for Hearing Aid Compatibility", Apr. 2020.
- [3] FCC KDB 285076 D02v03, "Guidance for performing T-Coil tests for air interfaces supporting voice over IP (e.g., LTE and WiFi) to support CMRS based telephone services", Sep 2017
- [4] FCC KDB 285076 D03v01r01, "Hearing aid compatibility frequently asked questions", Apr. 2020.
- [5] SPEAG DASY System Handbook