

# HAC\_E\_Dipole\_835

## DUT: HAC-Dipole 835 MHz

Communication System: CW; Frequency: 835 MHz; Duty Cycle: 1:1  
 Medium: Air Medium parameters used:  $\sigma = 0$  S/m,  $\epsilon_r = 1$ ;  $\rho = 0$  kg/m<sup>3</sup>  
 Ambient Temperature : 23.7 °C

### DASY5 Configuration:

- Probe: EF3DV3 - SN4062; ConvF(1, 1, 1) @ 835 MHz; Calibrated: 2019/12/13
- Sensor-Surface: (Fix Surface)
- Electronics: DAE4 Sn1311; Calibrated: 2019/8/27
- Phantom: HAC Test Arch with AMCC; Type: SD HAC P01 BA;
- Measurement SW: DASY52, Version 52.10 (2); SEMCAD X Version 14.6.12 (7470)

## E Scan - measurement distance from the probe sensor center to CD835 = 10mm & 15mm/Hearing Aid Compatibility Test at 15mm distance (41x361x1): Interpolated grid: dx=0.5000 mm, dy=0.5000 mm

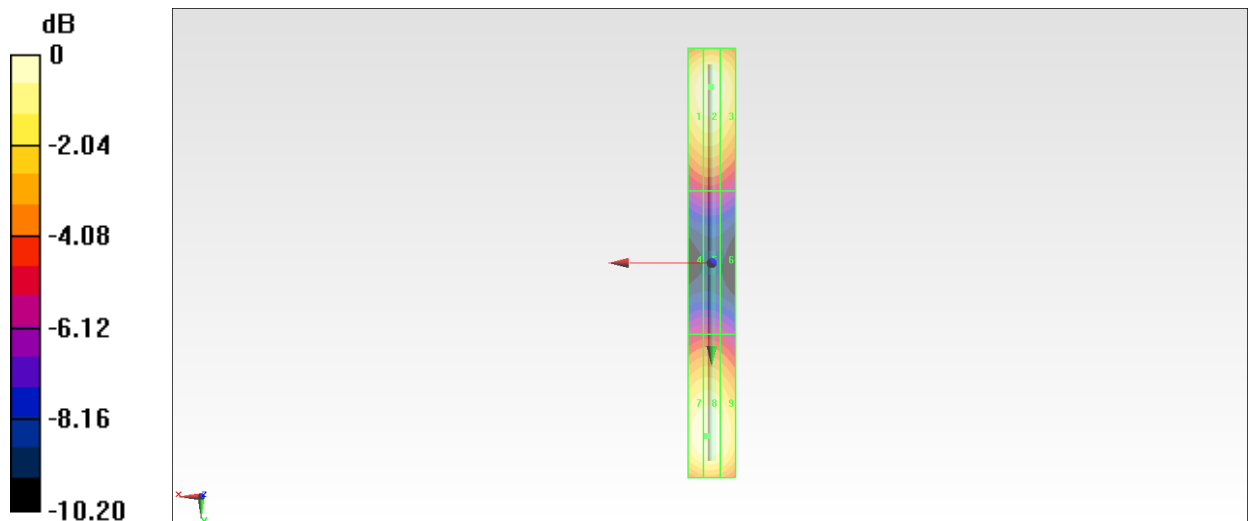
Device Reference Point: 0, 0, -6.3 mm  
 Reference Value = 131.8 V/m; Power Drift = -0.03 dB  
 PMR not calibrated. PMF = 1.000 is applied.  
 E-field emissions = 110.9 V/m  
 Average value of Total=(109.6+110.9) / 2 = 110.25 V/m

PMF scaled E-field

|                               |                               |                               |
|-------------------------------|-------------------------------|-------------------------------|
| Grid 1 M4<br><b>108.1 V/m</b> | Grid 2 M4<br><b>109.6 V/m</b> | Grid 3 M4<br><b>105.8 V/m</b> |
| Grid 4 M4<br><b>61.34 V/m</b> | Grid 5 M4<br><b>61.42 V/m</b> | Grid 6 M4<br><b>59.14 V/m</b> |
| Grid 7 M4<br><b>110.5 V/m</b> | Grid 8 M4<br><b>110.9 V/m</b> | Grid 9 M4<br><b>106.1 V/m</b> |

### Cursor:

Total = 110.9 V/m  
 E Category: M4  
 Location: 2, 72.5, 9.7 mm



0 dB = 110.9 V/m = 40.90 dBV/m

# HAC\_E\_Dipole\_1880

## DUT: HAC Dipole 1880 MHz

Communication System: CW; Frequency: 1880 MHz; Duty Cycle: 1:1  
 Medium: Air Medium parameters used:  $\sigma = 0$  S/m,  $\epsilon_r = 1$ ;  $\rho = 0$  kg/m<sup>3</sup>  
 Ambient Temperature : 23.7 °C

### DASY5 Configuration:

- Probe: EF3DV3 - SN4062; ConvF(1, 1, 1) @ 1880 MHz; Calibrated: 2019/12/13
- Sensor-Surface: (Fix Surface)
- Electronics: DAE4 Sn1311; Calibrated: 2019/8/27
- Phantom: HAC Test Arch with AMCC; Type: SD HAC P01 BA;
- Measurement SW: DASY52, Version 52.10 (2); SEMCAD X Version 14.6.12 (7470)

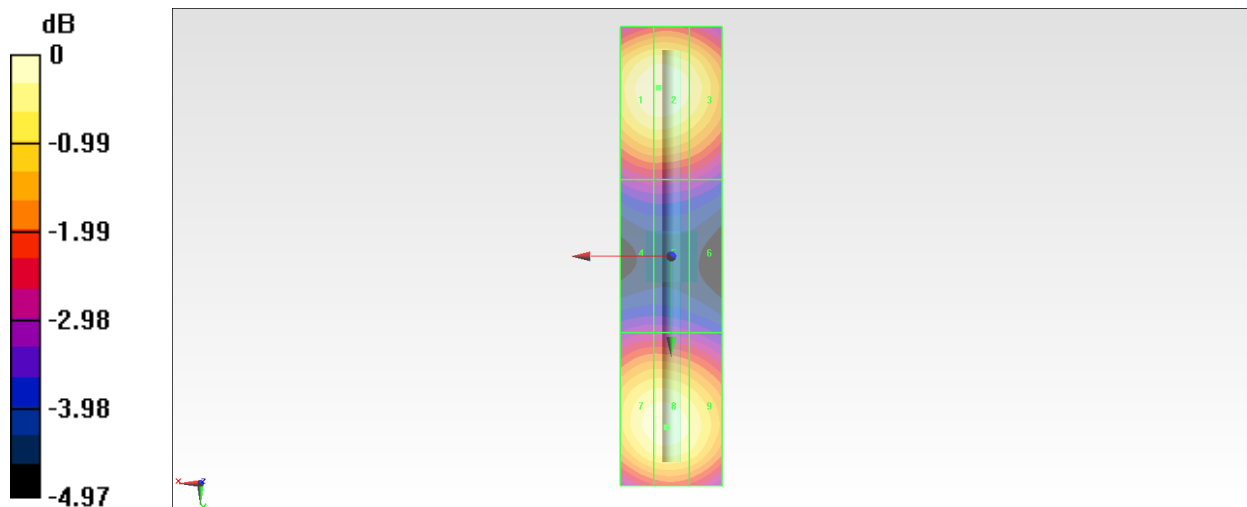
## E Scan - measurement distance from the probe sensor center to CD1880 = 10mm & 15mm/Hearing Aid Compatibility Test at 15mm distance (41x181x1): Interpolated grid: dx=0.5000 mm, dy=0.5000 mm

Device Reference Point: 0, 0, -6.3 mm  
 Reference Value = 149.4 V/m; Power Drift = 0.01 dB  
 PMR not calibrated. PMF = 1.000 is applied.  
 E-field emissions = 85.38 V/m  
 Average value of Total=(85.38+84.51) / 2 = 84.95 V/m

PMF scaled E-field

|                                      |                                      |                                      |
|--------------------------------------|--------------------------------------|--------------------------------------|
| Grid 1 <b>M3</b><br><b>85.26 V/m</b> | Grid 2 <b>M3</b><br><b>85.38 V/m</b> | Grid 3 <b>M3</b><br><b>82.50 V/m</b> |
| Grid 4 <b>M4</b><br><b>62.15 V/m</b> | Grid 5 <b>M4</b><br><b>62.18 V/m</b> | Grid 6 <b>M4</b><br><b>60.91 V/m</b> |
| Grid 7 <b>M3</b><br><b>84.03 V/m</b> | Grid 8 <b>M3</b><br><b>84.51 V/m</b> | Grid 9 <b>M3</b><br><b>82.16 V/m</b> |

**Cursor:**  
 Total = 85.38 V/m  
 E Category: M3  
 Location: 2.5, -33, 9.7 mm



0 dB = 85.38 V/m = 38.63 dBV/m

## HAC\_E\_Dipole\_2450

### DUT: HAC Dipole 2450 MHz

Communication System: CW; Frequency: 2450 MHz; Duty Cycle: 1:1

Medium: Air Medium parameters used:  $\sigma = 0$  S/m,  $\epsilon_r = 1$ ;  $\rho = 0$  kg/m<sup>3</sup>

Ambient Temperature : 23.7 °C

DASY5 Configuration:

- Probe: EF3DV3 - SN4062; ConvF(1, 1, 1) @ 2450 MHz; Calibrated: 2019/12/13
- Sensor-Surface: (Fix Surface)
- Electronics: DAE4 Sn1311; Calibrated: 2019/8/27
- Phantom: HAC Test Arch with AMCC; Type: SD HAC P01 BA;
- Measurement SW: DASY52, Version 52.10 (2); SEMCAD X Version 14.6.12 (7470)

**E Scan - measurement distance from the probe sensor center to CD2450 = 10mm & 15mm /Hearing Aid Compatibility Test at 15mm distance (41x181x1):** Interpolated grid: dx=0.5000 mm, dy=0.5000 mm

Device Reference Point: 0, 0, -6.3 mm

Reference Value = 80.59 V/m; Power Drift = -0.02 dB

PMR not calibrated. PMF = 1.000 is applied.

E-field emissions = 88.70 V/m

Average value of Total=(87.42+88.7) / 2 = 88.06 V/m

PMF scaled E-field

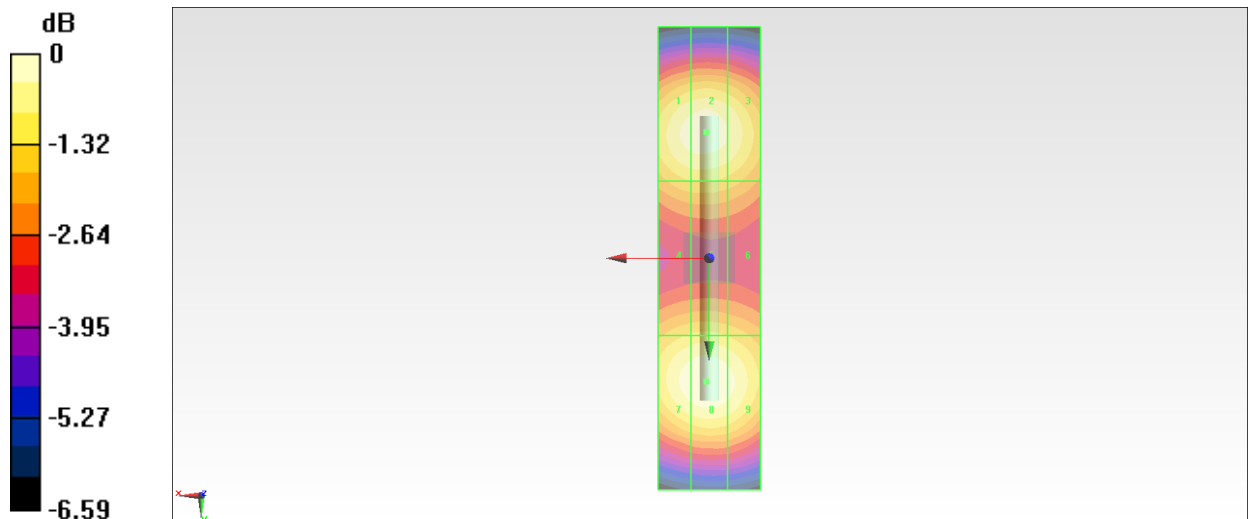
|                                      |                                      |                                      |
|--------------------------------------|--------------------------------------|--------------------------------------|
| Grid 1 <b>M3</b><br><b>86.47 V/m</b> | Grid 2 <b>M3</b><br><b>87.42 V/m</b> | Grid 3 <b>M3</b><br><b>84.62 V/m</b> |
| Grid 4 <b>M3</b><br><b>76.92 V/m</b> | Grid 5 <b>M3</b><br><b>77.62 V/m</b> | Grid 6 <b>M3</b><br><b>76.03 V/m</b> |
| Grid 7 <b>M3</b><br><b>87.12 V/m</b> | Grid 8 <b>M3</b><br><b>88.70 V/m</b> | Grid 9 <b>M3</b><br><b>86.22 V/m</b> |

**Cursor:**

Total = 88.70 V/m

E Category: M3

Location: 0.5, 24, 9.7 mm



0 dB = 88.70 V/m = 38.96 dBV/m

# HAC\_E\_Dipole\_3500

## DUT: HAC Dipole 3500 MHz

Communication System: CW; Frequency: 3500 MHz; Duty Cycle: 1:1  
 Medium: Air Medium parameters used:  $\sigma = 0$  S/m,  $\epsilon_r = 1$ ;  $\rho = 0$  kg/m<sup>3</sup>  
 Ambient Temperature : 23.7 °C

### DASY5 Configuration:

- Probe: EF3DV3 - SN4062; ConvF(1, 1, 1) @ 3500 MHz; Calibrated: 2019/12/13
- Sensor-Surface: (Fix Surface)
- Electronics: DAE4 Sn1311; Calibrated: 2019/8/27
- Phantom: HAC Test Arch with AMCC; Type: SD HAC P01 BA;
- Measurement SW: DASY52, Version 52.10 (2); SEMCAD X Version 14.6.12 (7470)

## E Scan - measurement distance from the probe sensor center to CD3500 = 10mm & 15mm/Hearing Aid Compatibility Test at 15mm distance (41x121x1): Interpolated grid: dx=0.5000 mm, dy=0.5000 mm

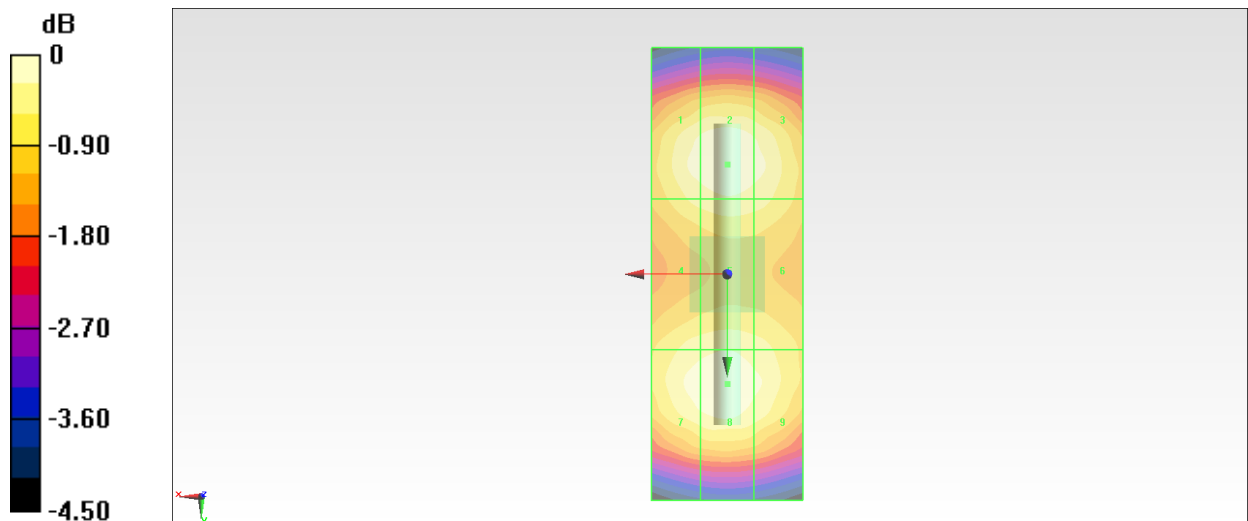
Device Reference Point: 0, 0, -6.3 mm  
 Reference Value = 38.70 V/m; Power Drift = -0.05 dB  
 PMR not calibrated. PMF = 1.000 is applied.  
 E-field emissions = 88.99 V/m  
 Average value of Total=(88.99+88.85) / 2 = 88.92 V/m

PMF scaled E-field

|                                      |                                      |                                      |
|--------------------------------------|--------------------------------------|--------------------------------------|
| Grid 1 <b>M3</b><br><b>87.46 V/m</b> | Grid 2 <b>M3</b><br><b>88.99 V/m</b> | Grid 3 <b>M3</b><br><b>87.21 V/m</b> |
| Grid 4 <b>M3</b><br><b>85.09 V/m</b> | Grid 5 <b>M3</b><br><b>85.96 V/m</b> | Grid 6 <b>M3</b><br><b>84.69 V/m</b> |
| Grid 7 <b>M3</b><br><b>87.62 V/m</b> | Grid 8 <b>M3</b><br><b>88.85 V/m</b> | Grid 9 <b>M3</b><br><b>86.66 V/m</b> |

### Cursor:

Total = 88.99 V/m  
 E Category: M3  
 Location: 0, -14.5, 9.7 mm



0 dB = 88.99 V/m = 38.99 dBV/m

## HAC\_E\_Dipole\_5500

### DUT: HAC Dipole 5500 MHz

Communication System: CW ; Frequency: 5500 MHz; Duty Cycle: 1:1

Medium: Air Medium parameters used:  $\sigma = 0$  S/m,  $\epsilon_r = 1$ ;  $\rho = 0$  kg/m<sup>3</sup>

Ambient Temperature : 23.7 °C

#### DASY5 Configuration:

- Probe: EF3DV3 - SN4062; ConvF(1, 1, 1) @ 5500 MHz; Calibrated: 2019/12/13
- Sensor-Surface: (Fix Surface)
- Electronics: DAE4 Sn1311; Calibrated: 2019/8/27
- Phantom: HAC Test Arch with AMCC; Type: SD HAC P01 BA;
- Measurement SW: DASY52, Version 52.10 (2); SEMCAD X Version 14.6.12 (7470)

**E Scan - measurement distance from the probe sensor center to CD5500 = 10mm & 15mm /Hearing Aid Compatibility Test at 15mm distance (41x181x1):** Interpolated grid: dx=0.5000 mm, dy=0.5000 mm

Device Reference Point: 0, 0, -6.3 mm

Reference Value = 28.74 V/m; Power Drift = 0.13 dB

PMR not calibrated. PMF = 1.000 is applied.

E-field emissions = 111.3 V/m

Average value of Total=(91.46+93.94) / 2 = 92.7 V/m

PMF scaled E-field

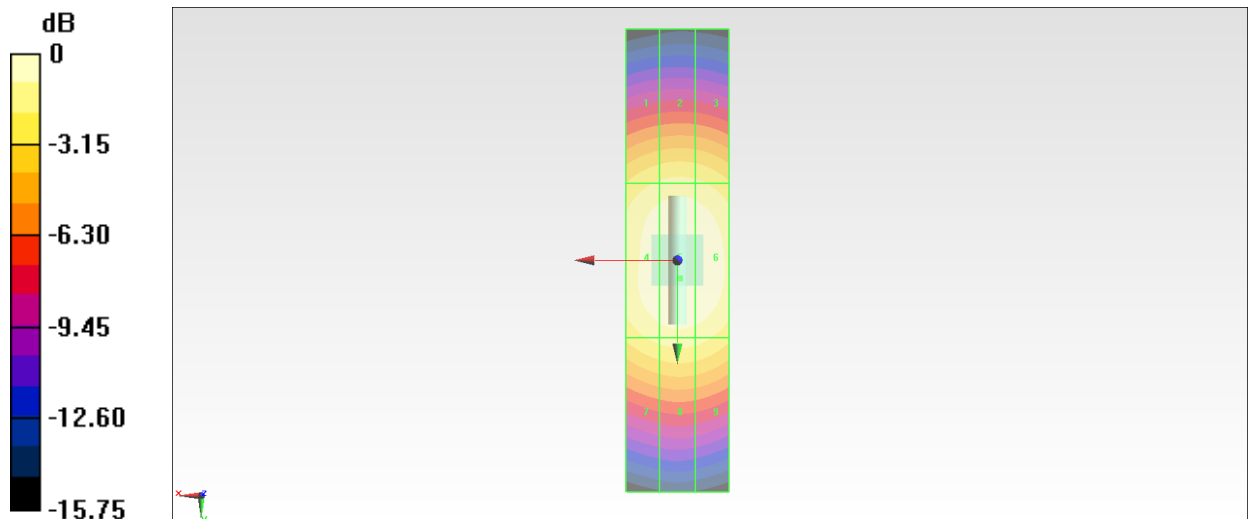
|                                      |                                      |                                      |
|--------------------------------------|--------------------------------------|--------------------------------------|
| Grid 1 <b>M3</b><br><b>89.21 V/m</b> | Grid 2 <b>M3</b><br><b>91.46 V/m</b> | Grid 3 <b>M3</b><br><b>90.01 V/m</b> |
| Grid 4 <b>M3</b><br><b>107.3 V/m</b> | Grid 5 <b>M3</b><br><b>111.3 V/m</b> | Grid 6 <b>M3</b><br><b>109.9 V/m</b> |
| Grid 7 <b>M3</b><br><b>91.44 V/m</b> | Grid 8 <b>M3</b><br><b>93.94 V/m</b> | Grid 9 <b>M3</b><br><b>92.20 V/m</b> |

**Cursor:**

Total = 111.3 V/m

E Category: M3

Location: -0.5, 3.5, 9.7 mm



0 dB = 111.3 V/m = 40.93 dBV/m