

HAC_E_Dipole_835

DUT: HAC-Dipole 835 MHz

Communication System: CW; Frequency: 835 MHz; Duty Cycle: 1:1

Medium: Air Medium parameters used: $\sigma = 0 \text{ S/m}$, $\epsilon_r = 1$; $\rho = 0 \text{ kg/m}^3$

Ambient Temperature : 23.5 °C

DASY5 Configuration:

- Probe: EF3DV3 - SN4047; ConvF(1, 1, 1) @ 835 MHz; Calibrated: 2019/1/30
- Sensor-Surface: (Fix Surface)
- Electronics: DAE4 Sn854; Calibrated: 2018/6/14
- Phantom: HAC Test Arch with AMCC; Type: SD HAC P01 BA;
- Measurement SW: DASY52, Version 52.10 (1); SEMCAD X Version 14.6.11 (7439)

E Scan - measurement distance from the probe sensor center to CD835 = 10mm & 15mm/Hearing Aid Compatibility Test at 15mm distance (41x361x1): Interpolated grid: dx=0.5000 mm, dy=0.5000 mm

Device Reference Point: 0, 0, -6.3 mm

Reference Value = 124.1 V/m; Power Drift = 0.05 dB

PMR not calibrated. PMF = 1.000 is applied.

E-field emissions = 114.3 V/m

Average value of Total=(114.1+114.3) / 2 = 114.2 V/m

PMF scaled E-field

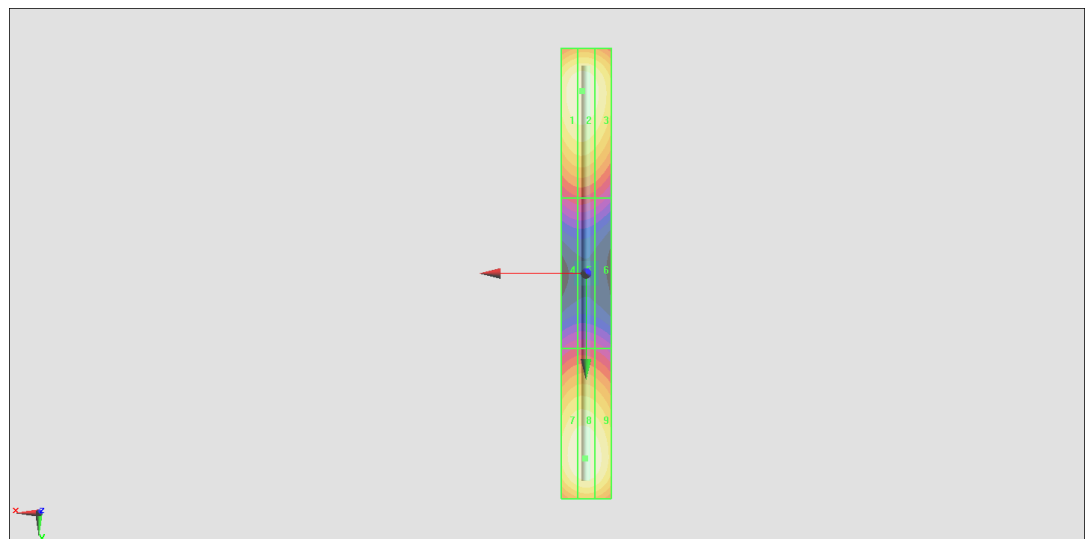
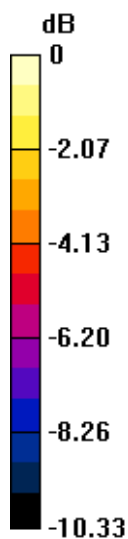
Grid 1 M4 113.1 V/m	Grid 2 M4 114.1 V/m	Grid 3 M4 108.2 V/m
Grid 4 M4 64.22 V/m	Grid 5 M4 64.48 V/m	Grid 6 M4 61.31 V/m
Grid 7 M4 112.7 V/m	Grid 8 M4 114.3 V/m	Grid 9 M4 111.1 V/m

Cursor:

Total = 114.3 V/m

E Category: M4

Location: 0.5, 74, 8.7 mm



0 dB = 114.3 V/m = 41.16 dBV/m

HAC_E_Dipole_835

DUT: HAC-Dipole 835 MHz

Communication System: CW; Frequency: 835 MHz; Duty Cycle: 1:1
 Medium: Air Medium parameters used: $\sigma = 0$ S/m, $\epsilon_r = 1$; $\rho = 0$ kg/m³
 Ambient Temperature : 23.2 °C

DASY5 Configuration:

- Probe: EF3DV3 - SN4047; ConvF(1, 1, 1) @ 835 MHz; Calibrated: 2019/1/30
- Sensor-Surface: (Fix Surface)
- Electronics: DAE4 Sn854; Calibrated: 2018/6/14
- Phantom: HAC Test Arch with AMCC; Type: SD HAC P01 BA;
- Measurement SW: DASY52, Version 52.10 (1); SEMCAD X Version 14.6.11 (7439)

E Scan - measurement distance from the probe sensor center to CD835 = 10mm & 15mm/Hearing Aid Compatibility Test at 15mm distance (41x361x1): Interpolated grid: dx=0.5000 mm, dy=0.5000 mm

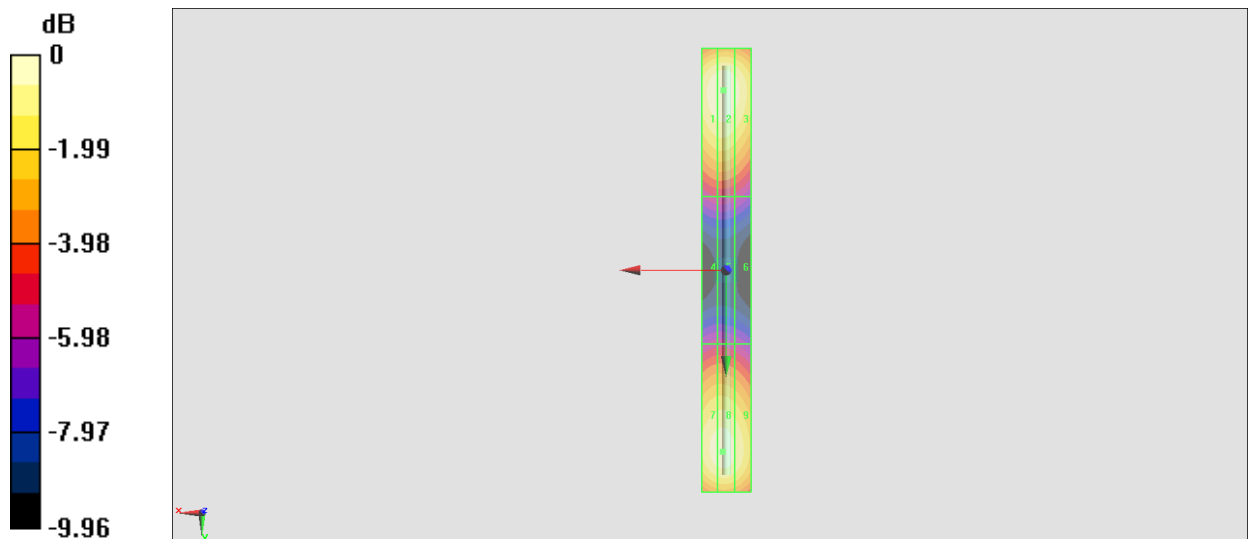
Device Reference Point: 0, 0, -6.3 mm
 Reference Value = 124.4 V/m; Power Drift = -0.05 dB
 PMR not calibrated. PMF = 1.000 is applied.
 E-field emissions = 109.4 V/m
 Average value of Total=(109.4+106.2) / 2 = 107.8 V/m

PMF scaled E-field

Grid 1 M4 108.5 V/m	Grid 2 M4 109.4 V/m	Grid 3 M4 105.2 V/m
Grid 4 M4 59.88 V/m	Grid 5 M4 60.06 V/m	Grid 6 M4 57.74 V/m
Grid 7 M4 105.2 V/m	Grid 8 M4 106.2 V/m	Grid 9 M4 101.7 V/m

Cursor:

Total = 109.4 V/m
 E Category: M4
 Location: 1, -73, 9.7 mm



0 dB = 109.4 V/m = 40.78 dBV/m

HAC_E_Dipole_1880

DUT: HAC Dipole 1880 MHz

Communication System: CW; Frequency: 1880 MHz; Duty Cycle: 1:1
 Medium: Air Medium parameters used: $\sigma = 0$ S/m, $\epsilon_r = 1$; $\rho = 0$ kg/m³
 Ambient Temperature : 23.5 °C

DASY5 Configuration:

- Probe: EF3DV3 - SN4047; ConvF(1, 1, 1) @ 1880 MHz; Calibrated: 2019/1/30
- Sensor-Surface: (Fix Surface)
- Electronics: DAE4 Sn854; Calibrated: 2018/6/14
- Phantom: HAC Test Arch with AMCC; Type: SD HAC P01 BA;
- Measurement SW: DASY52, Version 52.10 (1); SEMCAD X Version 14.6.11 (7439)

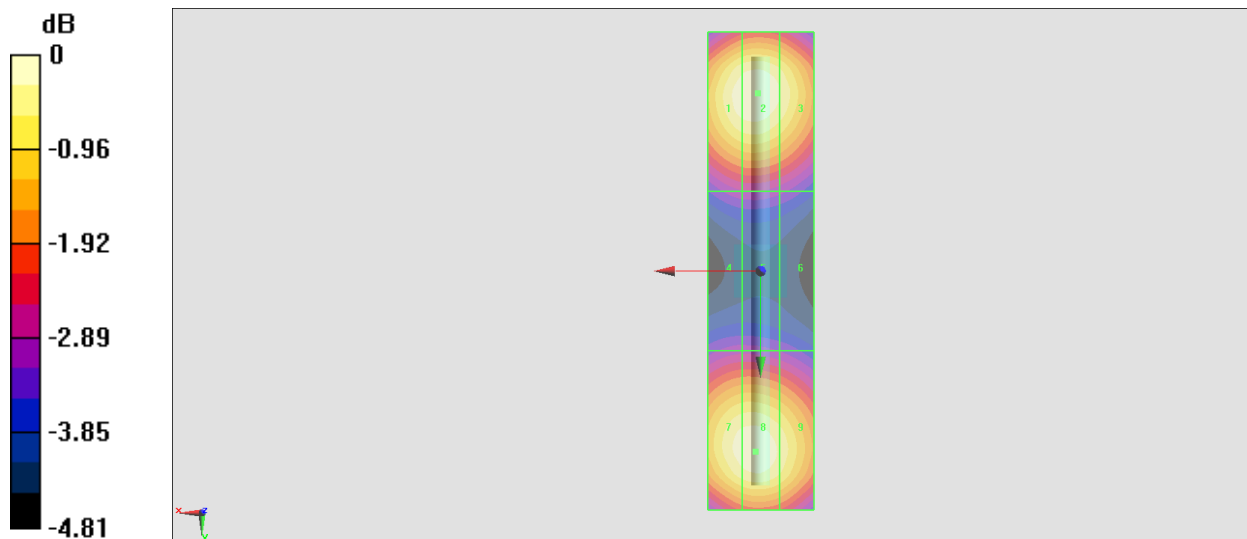
E Scan - measurement distance from the probe sensor center to CD1880 = 10mm & 15mm/Hearing Aid Compatibility Test at 15mm distance (41x181x1): Interpolated grid: dx=0.5000 mm, dy=0.5000 mm

Device Reference Point: 0, 0, -6.3 mm
 Reference Value = 153.9 V/m; Power Drift = 0.06 dB
 PMR not calibrated. PMF = 1.000 is applied.
 E-field emissions = 94.24 V/m
 Average value of Total=(94.24+93.68) / 2 = 93.96 V/m

PMF scaled E-field

Grid 1 M3 93.33 V/m	Grid 2 M3 94.24 V/m	Grid 3 M3 91.17 V/m
Grid 4 M3 67.36 V/m	Grid 5 M3 67.65 V/m	Grid 6 M3 66.11 V/m
Grid 7 M3 92.87 V/m	Grid 8 M3 93.68 V/m	Grid 9 M3 90.33 V/m

Cursor:
 Total = 94.24 V/m
 E Category: M3
 Location: 0.5, -33.5, 8.7 mm



0 dB = 94.24 V/m = 39.48 dBV/m

HAC_E_Dipole_1880

DUT: HAC Dipole 1880 MHz

Communication System: CW; Frequency: 1880 MHz; Duty Cycle: 1:1
 Medium: Air Medium parameters used: $\sigma = 0$ S/m, $\epsilon_r = 1$; $\rho = 0$ kg/m³
 Ambient Temperature : 23.2 °C

DASY5 Configuration:

- Probe: EF3DV3 - SN4047; ConvF(1, 1, 1) @ 1880 MHz; Calibrated: 2019/1/30
- Sensor-Surface: (Fix Surface)
- Electronics: DAE4 Sn854; Calibrated: 2018/6/14
- Phantom: HAC Test Arch with AMCC; Type: SD HAC P01 BA;
- Measurement SW: DASY52, Version 52.10 (1); SEMCAD X Version 14.6.11 (7439)

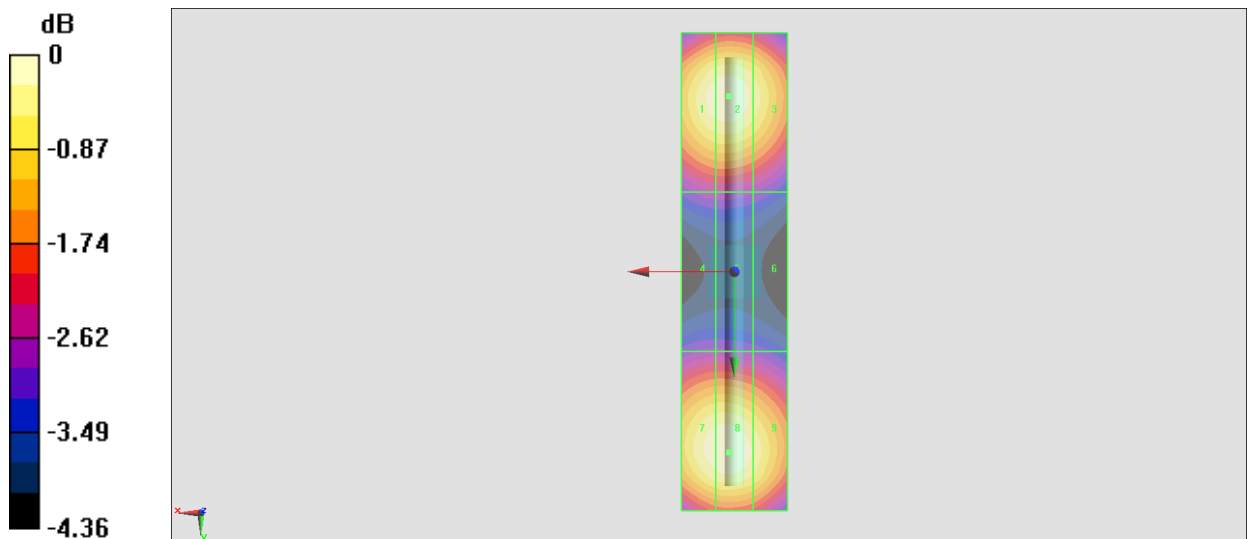
E Scan - measurement distance from the probe sensor center to CD1880 = 10mm & 15mm/Hearing Aid Compatibility Test at 15mm distance (41x181x1): Interpolated grid: dx=0.5000 mm, dy=0.5000 mm

Device Reference Point: 0, 0, -6.3 mm
 Reference Value = 158.3 V/m; Power Drift = 0.00 dB
 PMR not calibrated. PMF = 1.000 is applied.
 E-field emissions = 87.45 V/m
 Average value of Total=(86.98+87.45) / 2 = 87.215 V/m

PMF scaled E-field

Grid 1 M3 86.35 V/m	Grid 2 M3 86.98 V/m	Grid 3 M3 83.85 V/m
Grid 4 M3 64.67 V/m	Grid 5 M3 64.73 V/m	Grid 6 M3 63.17 V/m
Grid 7 M3 86.75 V/m	Grid 8 M3 87.45 V/m	Grid 9 M3 84.22 V/m

Cursor:
 Total = 87.45 V/m
 E Category: M3
 Location: 1, 34, 9.7 mm



0 dB = 87.45 V/m = 38.84 dBV/m

HAC_E_Dipole_2450

DUT: HAC Dipole 2450 MHz

Communication System: CW; Frequency: 2450 MHz; Duty Cycle: 1:1
 Medium: Air Medium parameters used: $\sigma = 0$ S/m, $\epsilon_r = 1$; $\rho = 0$ kg/m³
 Ambient Temperature : 23.5 °C

DASY5 Configuration:

- Probe: EF3DV3 - SN4047; ConvF(1, 1, 1) @ 2450 MHz; Calibrated: 2019/1/30
- Sensor-Surface: (Fix Surface)
- Electronics: DAE4 Sn854; Calibrated: 2018/6/14
- Phantom: HAC Test Arch with AMCC; Type: SD HAC P01 BA;
- Measurement SW: DASY52, Version 52.10 (1); SEMCAD X Version 14.6.11 (7439)

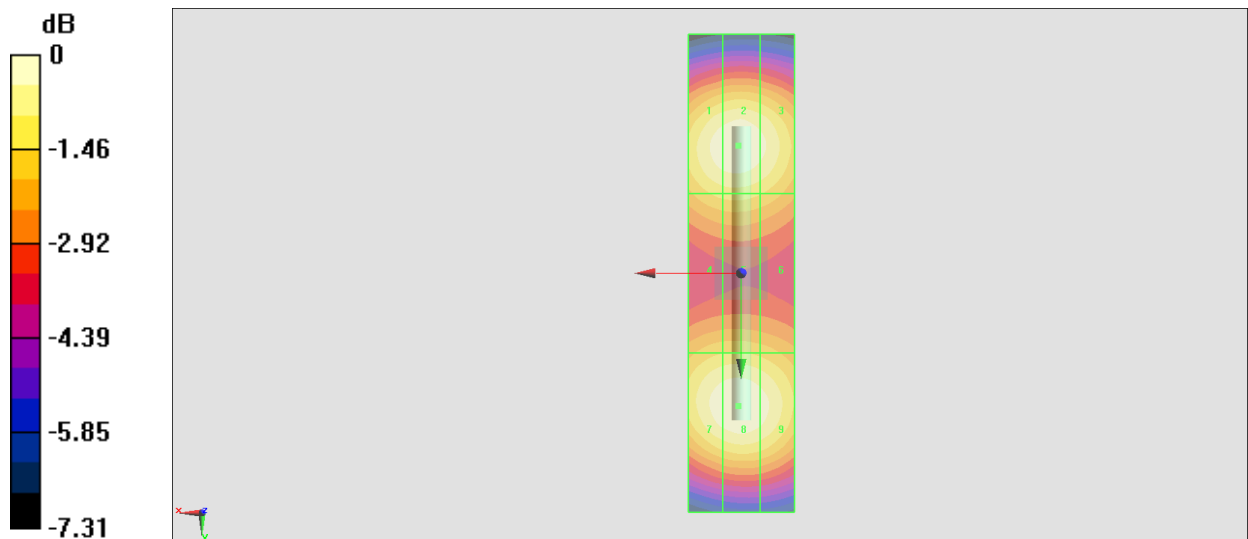
E Scan - measurement distance from the probe sensor center to CD2450 = 10mm & 15mm /Hearing Aid Compatibility Test at 15mm distance (41x181x1): Interpolated grid: dx=0.5000 mm, dy=0.5000 mm

Device Reference Point: 0, 0, -6.3 mm
 Reference Value = 82.25 V/m; Power Drift = -0.01 dB
 PMR not calibrated. PMF = 1.000 is applied.
 E-field emissions = 92.02 V/m
 Average value of Total=(91.05+92.02) / 2 = 91.535 V/m

PMF scaled E-field

Grid 1 M3 90.16 V/m	Grid 2 M3 91.05 V/m	Grid 3 M3 88.71 V/m
Grid 4 M3 79.66 V/m	Grid 5 M3 80.22 V/m	Grid 6 M3 78.27 V/m
Grid 7 M3 90.42 V/m	Grid 8 M3 92.02 V/m	Grid 9 M3 89.50 V/m

Cursor:
 Total = 92.02 V/m
 E Category: M3
 Location: 0.5, 25, 8.7 mm



0 dB = 92.02 V/m = 39.28 dBV/m

HAC_E_Dipole_2600

DUT: HAC Dipole 2600 MHz

Communication System: CW ; Frequency: 2600 MHz; Duty Cycle: 1:1

Medium: Air Medium parameters used: $\sigma = 0$ S/m, $\epsilon_r = 1$; $\rho = 0$ kg/m³

Ambient Temperature : 23.5 °C

DASY5 Configuration:

- Probe: EF3DV3 - SN4047; ConvF(1, 1, 1) @ 2600 MHz; Calibrated: 2019/1/30
- Sensor-Surface: (Fix Surface)
- Electronics: DAE4 Sn854; Calibrated: 2018/6/14
- Phantom: HAC Test Arch with AMCC; Type: SD HAC P01 BA;
- Measurement SW: DASY52, Version 52.10 (1); SEMCAD X Version 14.6.11 (7439)

E Scan - measurement distance from the probe sensor center to CD2600 = 10mm & 15mm/Hearing Aid Compatibility Test at 15mm distance (41x181x1): Interpolated grid: dx=0.5000 mm, dy=0.5000 mm

Device Reference Point: 0, 0, -6.3 mm

Reference Value = 73.16 V/m; Power Drift = -0.01 dB

PMR not calibrated. PMF = 1.000 is applied.

E-field emissions = 88.45 V/m

Average value of Total=(88.45+88.37) / 2 = 88.41 V/m

PMF scaled E-field

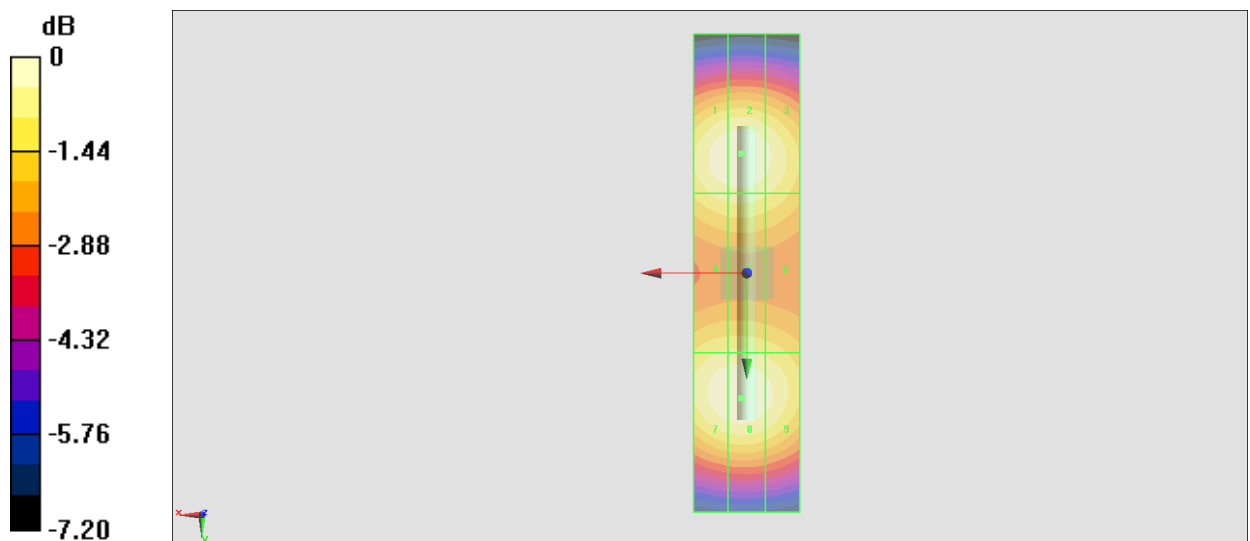
Grid 1 M3 87.71 V/m	Grid 2 M3 88.45 V/m	Grid 3 M3 85.18 V/m
Grid 4 M3 81.81 V/m	Grid 5 M3 82.20 V/m	Grid 6 M3 79.96 V/m
Grid 7 M3 87.78 V/m	Grid 8 M3 88.37 V/m	Grid 9 M3 85.57 V/m

Cursor:

Total = 88.45 V/m

E Category: M3

Location: 1, -22.5, 9.7 mm



0 dB = 88.45 V/m = 38.93 dBV/m