



FCC RF Test Report

APPLICANT : Motorola Mobility LLC
EQUIPMENT : Mobile Cellular Phone
BRAND NAME : Motorola
MODEL NAME : XT1920DL
FCC ID : IHDT56XF2
STANDARD : FCC Part 15 Subpart E §15.407
CLASSIFICATION : (NII) Unlicensed National Information Infrastructure

This is a data re-used report which is only valid together with the original test report. The product was received on Mar. 23, 2018 and testing was completed on Apr. 12, 2018. We, Sporton International (Shenzhen) Inc., would like to declare that the tested sample has been evaluated in accordance with the test procedures and has been in compliance with the applicable technical standards.

The test results in this report apply exclusively to the tested model / sample. Without written approval of Sporton International (Shenzhen) Inc., the test report shall not be reproduced except in full.



Approved by: Eric Shih / Manager

Sporton International (Shenzhen) Inc.

**1/F, 2/F, Bldg 5, Shiling Industrial Zone, Xinwei Village, Xili, Nanshan Shenzhen City
Guangdong Province 518055 China**



TABLE OF CONTENTS

REVISION HISTORY..... 3

SUMMARY OF TEST RESULT 4

1 GENERAL DESCRIPTION 5

 1.1 Applicant 5

 1.2 Manufacturer 5

 1.3 Product Feature of Equipment Under Test..... 5

 1.4 Product Specification of Equipment Under Test..... 6

 1.5 Specification of Accessory 6

 1.6 Re-use of Measured Data 7

 1.7 Modification of EUT 8

 1.8 Testing Location 8

 1.9 Applicable Standards 9

2 TEST CONFIGURATION OF EQUIPMENT UNDER TEST 10

 2.1 Carrier Frequency Channel 10

 2.2 Test Mode 11

 2.3 Connection Diagram of Test System 12

 2.4 Support Unit used in test configuration and system 13

 2.5 EUT Operation Test Setup 13

3 TEST RESULT 14

 3.1 Maximum Conducted Output Power Measurement 14

 3.2 Unwanted Radiated Emission Measurement 16

 3.3 AC Conducted Emission Measurement..... 22

 3.4 Automatically Discontinue Transmission 26

 3.5 Antenna Requirements 27

4 LIST OF MEASURING EQUIPMENT 28

5 UNCERTAINTY OF EVALUATION 29

APPENDIX A. CONDUCTED TEST RESULTS

APPENDIX B. RADIATED SPURIOUS EMISSION

APPENDIX C. DUTY CYCLE PLOTS

APPENDIX D. SETUP PHOTOGRAPHS

APPENDIX E. REFERENCE REPORT



REVISION HISTORY

REPORT NO.	VERSION	DESCRIPTION	ISSUED DATE
FR832306D	Rev. 01	Initial issue of report	May 09, 2018



SUMMARY OF TEST RESULT

Report Section	FCC Rule	Description	Limit	Result	Remark
-	2.1049 15.403(i)	26dB & 99% Bandwidth	-	Pass	1
3.1	15.407(a)	Maximum Conducted Output Power	FCC ≤ 24 dBm (depend on band)	Pass	-
-	15.407(a)	Power Spectral Density	FCC ≤ 11 dBm (depend on band)	Pass	1
3.2	15.407(b)	Unwanted Emissions	15.407(b) 15.209(a)	Pass	Under limit 3.65 dB at 5725.000 MHz
3.3	15.207	AC Conducted Emission	15.207(a)	Pass	Under limit 16.30 dB at 0.590 MHz
3.4	15.407(c)	Automatically Discontinue Transmission	Discontinue Transmission	Pass	-
3.5	15.203 & 15.407(a)	Antenna Requirement	N/A	Pass	-

Remark: 1. All conducted related test items refer to Sporton report No.FR7D1310D.



1 General Description

1.1 Applicant

Motorola Mobility LLC
222 W, Merchandise Mart Plaza, Chicago IL 60654 USA

1.2 Manufacturer

Motorola Mobility LLC
222 W, Merchandise Mart Plaza, Chicago IL 60654 USA

1.3 Product Feature of Equipment Under Test

Product Feature	
Equipment	Mobile Cellular Phone
Brand Name	Motorola
Model Name	XT1920DL
FCC ID	IHDT56XF2
EUT supports Radios application	CDMA/EVDO/GSM/GPRS/EGPRS/WCDMA/HSPA/DC-HSDPA/HSPA+(16QAM uplink is not supported)/LTE/WLAN 2.4GHz 802.11b/g/n HT20 WLAN 5GHz 802.11a/n HT20/HT40 Bluetooth v3.0+EDR/ Bluetooth v4.0 LE Bluetooth v4.1 LE/Bluetooth v4.2 LE
IMEI/MEID Code	Conducted: NA Radiation: 35413209000676 Conduction: 354132090007199
HW Version	DVT1B
SW Version	OPP28.1
EUT Stage	Identical Prototype

Remark: The above EUT's information was declared by manufacturer. Please refer to the specifications or user's manual for more detailed description.



1.4 Product Specification of Equipment Under Test

Standards-related Product Specification	
Tx/Rx Frequency Range	5180 MHz ~ 5240 MHz 5260 MHz ~ 5320 MHz 5500 MHz ~ 5700 MHz
Maximum Output Power to Antenna	<5180 MHz ~ 5240 MHz> 802.11a : 18.08 dBm / 0.0643 W 802.11n HT20 : 18.06 dBm / 0.0640 W 802.11n HT40 : 17.35 dBm / 0.0543 W <5260 MHz ~ 5320 MHz> 802.11a : 18.20 dBm / 0.0661 W 802.11n HT20 : 18.17 dBm / 0.0656 W 802.11n HT40 : 17.46 dBm / 0.0557 W <5500 MHz ~ 5700 MHz > 802.11a : 17.83 dBm / 0.0607 W 802.11n HT20 : 17.80 dBm / 0.0603 W 802.11n HT40 : 16.79 dBm / 0.0478 W
Antenna Gain / Gain	<5180 MHz ~ 5240 MHz> IFA Antenna with gain -2.00 dBi <5260 MHz ~ 5320 MHz> IFA Antenna with gain -2.00 dBi <5500 MHz ~ 5700 MHz> IFA Antenna with gain -2.00 dBi
Type of Modulation	802.11a/n : OFDM (BPSK / QPSK / 16QAM / 64QAM)

Note: WLAN operation in 5600 MHz ~ 5650 MHz is notched.

1.5 Specification of Accessory

Specification of Accessory				
AC Adapter 1	Brand Name	Motorola (Acbel)	Model Name	C-P35 SPN5945A
	Power Rating	I/P: 100-240 Vac, 300mA, O/P: 5.2Vdc,2000mA		
AC Adapter 2	Brand Name	Motorola (Salom)	Model Name	SSW-2919UMTJ C-P35 SPN5945A
	Power Rating	I/P: 100-240 Vac, 300mA, O/P: 5.2Vdc,2000mA		
Battery	Brand Name	Motorola (SCUD)	Model Name	BL270
	Power Rating	3.85Vdc,4000mAh	Type	Li-ion, ATL426580
USB Cable	Brand Name	Motorola (Saibao)	Model Name	SLQ-A077A
	Signal Line Type	1.0 meter, shielded cable, without ferrite core		



1.6 Re-use of Measured Data

1.6.1 Introduction Section

This application re-uses data collected on a similar device. The subject device of this application (Model: XT1920DL, FCC ID: IHDT56XF2) is electrically identical to the reference device: (Model: XT1922-6, XT1922-7, XT1922-9, FCC ID: IHDT56XB1) for the portions of the circuitry corresponding to the data being re-used, as treated by KDB Publication 484596 D01.

1.6.2 Difference Section

For details concerning the similarity with respect to component placement, mechanical/electrical design etc., please refer to the Product Equality Declaration.

The re-used RF data includes the following bands provided in Appendix E (Sporton RF Report No. FR7D1310D for the reference device Model: XT1922-6, XT1922-7, XT1922-9, FCC ID: IHDT56XB1):

1.6.3 Spot Check Verification Data Section

For conducted test items, In order to confirm hardware similarity of the subject device with the reference device, spot check measurements were performed on the subject device for conducted power, the test result were consistent with FCC ID: IHDT56XB1 and RSE/Conduction to re-test.

Assertions concerning the similarity of these devices are based on representations by the applicant. The applicant accepts full responsibility for the validity of the similarity claim, and for the determination that verification test data are sufficient to support it.

1.6.4 Reference detail Section:

Equipment Class	Reference FCC ID	Folder Test	Report Title/Section
NII(B1~B3)	IHDT56XB1	Part15E(FR7D1310D)	All conducted sections(except Conducted Power) applicable
NII(B4)	IHDT56XB1	Part15E(FR7D1310E)	All conducted sections(except Conducted Power) applicable
NII(DFS)	IHDT56XB1	Part15E(FZ7D1310)	All sections applicable



1.7 Modification of EUT

No modifications are made to the EUT during all test items.

1.8 Testing Location

Sporton International (Shenzhen) Inc. is accredited to ISO 17025 by National Voluntary Laboratory Accreditation Program (NVLAP code: 600156-0) and the FCC designation No. are CN5018 and CN5019.

Test Site	Sporton International (Shenzhen) Inc.		
Test Site Location	1/F, 2/F, Bldg 5, Shiling Industrial Zone, Xinwei Village, Xili, Nanshan Shenzhen City Guangdong Province 518055 China TEL: +86-755-8637-9589 FAX: +86-755-8637-9595		
Test Site No.	Sporton Site No.		FCC Test Firm Registration No.
	TH01-SZ	CO01-SZ	251365

Test Site	Sporton International (Shenzhen) Inc.		
Test Site Location	No. 3 Bldg the third floor of south, Shahe River west, Fengzeyuan Warehouse, Nanshan District Shenzhen City Guangdong Province 518055 China TEL: +86-755-3320-2398		
Test Site No.	Sporton Site No.		FCC Test Firm Registration No.
	03CH04-SZ		577730

Note: The test site complies with ANSI C63.4 2014 requirement.



1.9 Applicable Standards

According to the specifications of the manufacturer, the EUT must comply with the requirements of the following standards:

- ♦ FCC Part 15 Subpart E
- ♦ FCC KDB 789033 D02 General UNII Test Procedures New Rules v02r01
- ♦ ANSI C63.10-2013

Remark:

1. All test items were verified and recorded according to the standards and without any deviation during the test.
2. This EUT has also been tested and complied with the requirements of FCC Part 15, Subpart B, recorded in a separate test report.



2 Test Configuration of Equipment Under Test

The EUT has been associated with peripherals and configuration operated in a manner tended to maximize its emission characteristics in a typical application. Frequency range investigated: conducted emission (150 kHz to 30 MHz) and radiated emission (9 kHz to the 10th harmonic of the highest fundamental frequency or to 40 GHz, whichever is lower). For radiated measurement, pre-scanned in three orthogonal panels, X, Y, Z. The worst cases (Z-Plane) were recorded in this report.

2.1 Carrier Frequency Channel

Frequency Band	Channel	Freq. (MHz)	Channel	Freq. (MHz)
5180-5240 MHz Band 1 (U-NII-1)	36	5180	44	5220
	38*	5190	46*	5230
	40	5200	48	5240
	-	-	-	-

Frequency Band	Channel	Freq. (MHz)	Channel	Freq. (MHz)
5260-5320 MHz Band 2 (U-NII-2A)	52	5260	60	5300
	54*	5270	62*	5310
	56	5280	64	5320
	-	-	-	-

Frequency Band	Channel	Freq. (MHz)	Channel	Freq. (MHz)
5500-5700 MHz Band 3 (U-NII-2C)	100	5500	112	5560
	102*	5510	116	5580
	104	5520	132	5660
	-	-	134*	5670
	108	5540	136	5680
	110*	5550	140	5700

Note: The above Frequency and Channel in "*" were 802.11n HT40.



2.2 Test Mode

Final test mode of conducted test items and radiated spurious emissions are considering the modulation and worse data rates as below table.

Modulation	Data Rate
802.11a	6 Mbps
802.11n HT20	MCS0
802.11n HT40	MCS0

Test Cases	
AC Conducted Emission	Mode 1 : WCDMA Band II Idle + Bluetooth Link + WLAN Link (5G) + USB Cable (Charging from Adapter 2) + Earphone + Camera(Front)

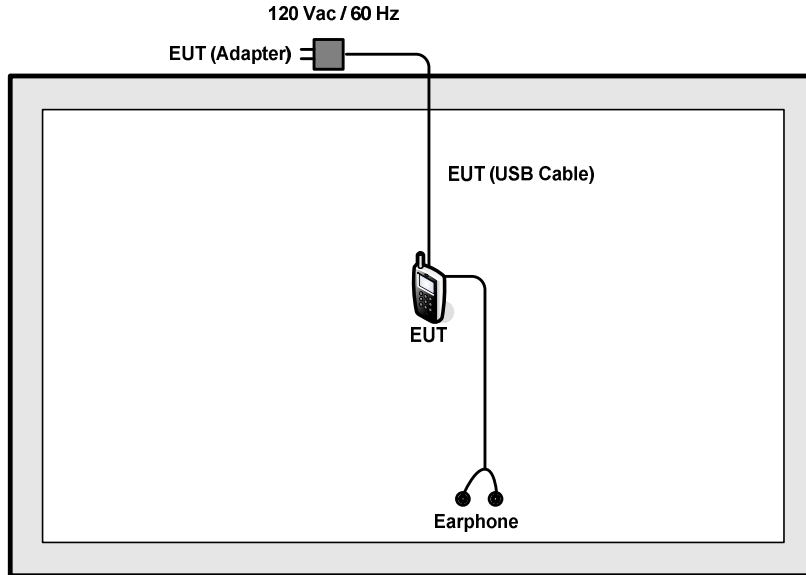
Ch. #		Band I : 5180-5240 MHz	Band II : 5260-5320 MHz	Band III : 5500-5700MHz
		802.11a	802.11a	802.11a
L	Low	36	52	100
M	Middle	44	60	116
H	High	48	64	140

Ch. #		Band I : 5180-5240 MHz	Band II : 5260-5320 MHz	Band III : 5500-5700MHz
		802.11n HT20	802.11n HT20	802.11n HT20
L	Low	36	52	100
M	Middle	44	60	116
H	High	48	64	140

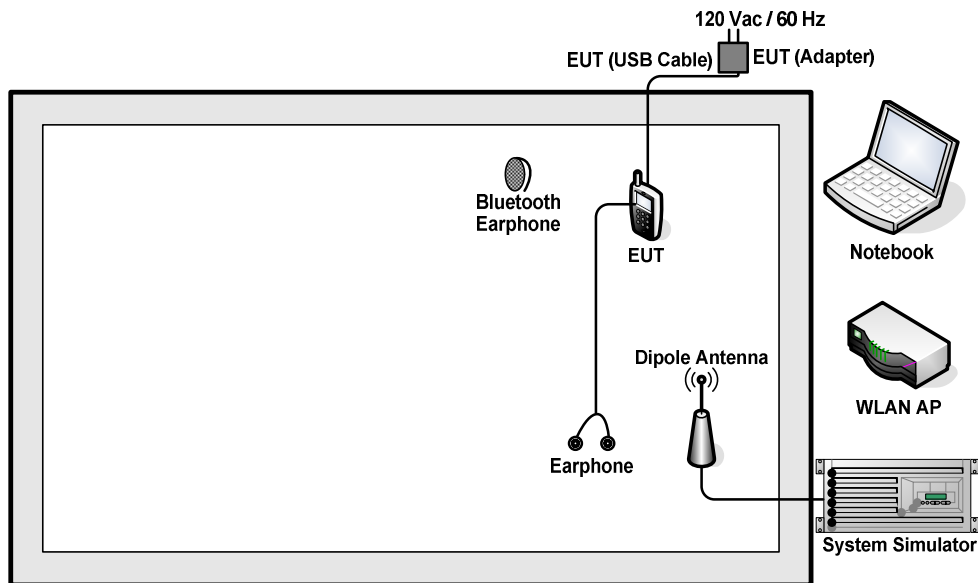
Ch. #		Band I : 5180-5240 MHz	Band II : 5260-5320 MHz	Band III : 5500-5700MHz
		802.11n HT40	802.11n HT40	802.11n HT40
L	Low	38	54	102
M	Middle	-	-	110
H	High	46	62	134

2.3 Connection Diagram of Test System

<Radiated Emission Mode>



<AC Conducted Emission Mode>





2.4 Support Unit used in test configuration and system

Item	Equipment	Trade Name	Model Name	FCC ID	Data Cable	Power Cord
1.	System Simulator	Anritsu	MT8820C	N/A	N/A	Unshielded, 1.8 m
2.	WLAN AP	D-Link	DIR-820L	KA2IR820LA1	N/A	Unshielded, 1.8 m
3.	Notebook	Lenovo	E540	FCC DoC	N/A	AC I/P: Unshielded, 1.2m DC O/P: Shielded, 1.8m
4.	Bluetooth Earphone	Samsung	EO-MG900	PYAHS-107W	N/A	N/A
5.	SD Card	N/A	MicroSD HC	FCC DoC	N/A	N/A
6.	Earphone	MOTO	Ashley ROW	N/A	Unshielded, 1.2m	N/A

2.5 EUT Operation Test Setup

For WLAN RF test items, an engineering test program was provided and enabled to make EUT continuously transmit/receive.

For AC power line conducted emissions, the EUT was set to connect with the WLAN AP under large package sizes transmission.



3 Test Result

3.1 Maximum Conducted Output Power Measurement

3.1.1 Limit of Maximum Conducted Output Power

<FCC 14-30 CFR 15.407>

For mobile and portable client devices in the 5.15–5.25 GHz band, the maximum conducted output power over the frequency band of operation shall not exceed 250 mW.

For the 5.25–5.725 GHz bands, the maximum conducted output power over the frequency bands of operation shall not exceed the lesser of 250 mW or $11 \text{ dBm} + 10 \log B$, where B is the 26 dB emission bandwidth in megahertz.

If transmitting antennas of directional gain greater than 6 dBi are used, the peak output power shall be reduced by the amount in dB that the directional gain of the antenna exceeds 6 dBi.

Note that U-NII-2 band, devices with a maximum e.i.r.p. greater than 500 mW shall implement TPC in order to have the capability to operate at least 6 dB below the maximum permitted e.i.r.p. of 1 W.

3.1.2 Measuring Instruments

The measuring equipment is listed in the section 4 of this test report.

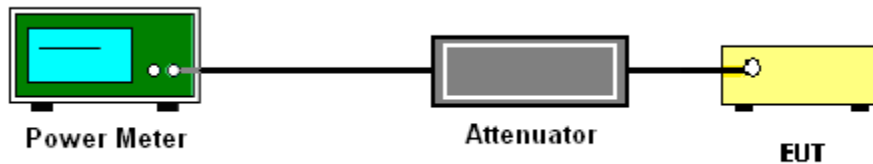
3.1.3 Test Procedures

The testing follows Method PM of FCC KDB 789033 D02 General UNII Test Procedures New Rules v02r01.

Method PM (Measurement using an RF average power meter):

1. Measurement is performed using a wideband RF power meter.
2. The EUT is configured to transmit continuously with a consistent duty cycle at its maximum power control level.
3. Measure the average power of the transmitter, and the average power is corrected with duty factor, $10 \log(1/x)$, where x is the duty cycle.

3.1.4 Test Setup



3.1.5 Test Result of Maximum Conducted Output Power

Please refer to Appendix A.



3.2 Unwanted Radiated Emission Measurement

This section is to measure unwanted emissions through radiated measurement for band edge spurious emissions and out of band emissions measurement.

3.2.1 Limit of Unwanted Emissions

- (1) For transmitters operating in the 5150-5250 MHz band: all emissions outside of the 5150-5350 MHz band shall not exceed an EIRP of -27dBm/MHz.

For transmitters operating in the 5250-5350 MHz band: all emissions outside of the 5150-5350 MHz band shall not exceed an EIRP of -27 dBm/MHz. Devices operating in the 5250-5350 MHz band that generate emissions in the 5150-5250 MHz band must meet all applicable technical requirements for operation in the 5150-5250 MHz band (including indoor use) or alternatively meet an out-of-band emission EIRP limit of -27 dBm/MHz in the 5150-5250 MHz band.

For transmitters operating in the 5470-5725MHz band: all emissions outside of the 5470-5725MHz band shall not exceed an EIRP of -27 dBm/MHz.

- (2) Unwanted spurious emissions fallen in restricted bands shall comply with the general field strength limits as below table,

Frequency (MHz)	Field Strength (microvolts/meter)	Measurement Distance (meters)
0.009 – 0.490	2400/F(kHz)	300
0.490 – 1.705	24000/F(kHz)	30
1.705 – 30.0	30	30
30 – 88	100	3
88 – 216	150	3
216 - 960	200	3
Above 960	500	3

Note: The following formula is used to convert the EIRP to field strength.

$$E = \frac{1000000\sqrt{30P}}{3} \mu\text{V/m, where P is the eirp (Watts)}$$



EIRP (dBm)	Field Strength at 3m (dBμV/m)
- 27	68.3

(3) KDB789033 D01 v02r01 G)2)c)

- (i) Section 15.407(b)(1) to (b)(3) specify the unwanted emission limits for the U-NII-1 and U-NII-2 bands. As specified, emissions above 1000 MHz that are outside of the restricted bands are subject to a peak emission limit of -27 dBm/MHz.³
- (ii) Section 15.407(b)(4) specifies the unwanted emission limit for the U-NII-3 band. A band emissions mask is specified in Section 15.407(b)(4)(i). The emission limits are in terms of a Peak detector. An alternative to the band emissions mask is specified in Section 15.407(b)(4)(ii). The alternative limits are based on the highest antenna gain specified in the filing. There are also marketing and importation restrictions for the devices using the alternative limit.⁴

Note 3: An out-of-band emission that complies with both the average and peak limits of Section 15.209 is not required to satisfy the -27 dBm/MHz peak emission limit.

Note 4: Only devices with antenna gains of 10 dBi or less may be approved using the emission limits specified in Section 15.247(d) till March 2, 2018; all other devices operating in this band must use the mask specified in Section 15.407(b)(4)(i).



3.2.2 Measuring Instruments

The measuring equipment is listed in the section 4 of this test report.

3.2.3 Test Procedures

1. The testing follows FCC KDB 789033 D02 General UNII Test Procedures New Rules v02r01. Section G) Unwanted emissions measurement.

(1) Procedure for Unwanted Emissions Measurements Below 1000MHz

- RBW = 120 kHz
- VBW = 300 kHz
- Detector = Peak
- Trace mode = max hold

(2) Procedure for Peak Unwanted Emissions Measurements Above 1000 MHz

- RBW = 1 MHz
- VBW \geq 3 MHz
- Detector = Peak
- Sweep time = auto
- Trace mode = max hold

(3) Procedures for Average Unwanted Emissions Measurements Above 1000MHz

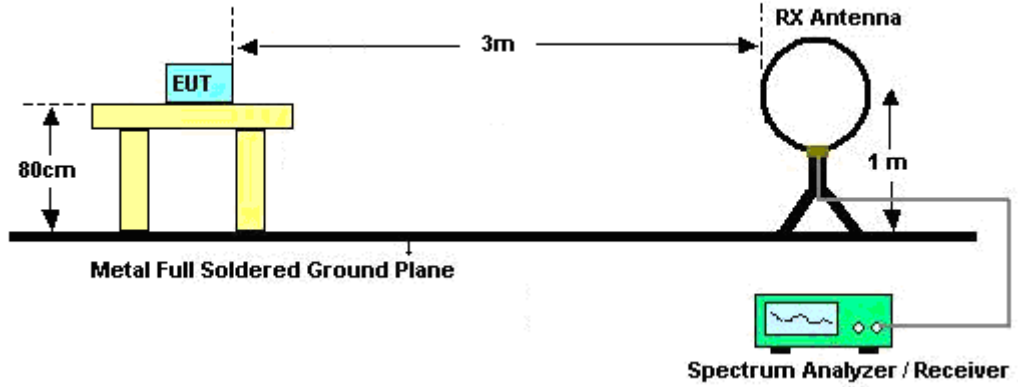
- RBW = 1 MHz
- VBW = 10 Hz, when duty cycle is no less than 98 percent.
- VBW \geq 1/T, when duty cycle is less than 98 percent where T is the minimum transmission duration over which the transmitter is on and is transmitting at its maximum power control level for the tested mode of operation.
- Detector = Peak



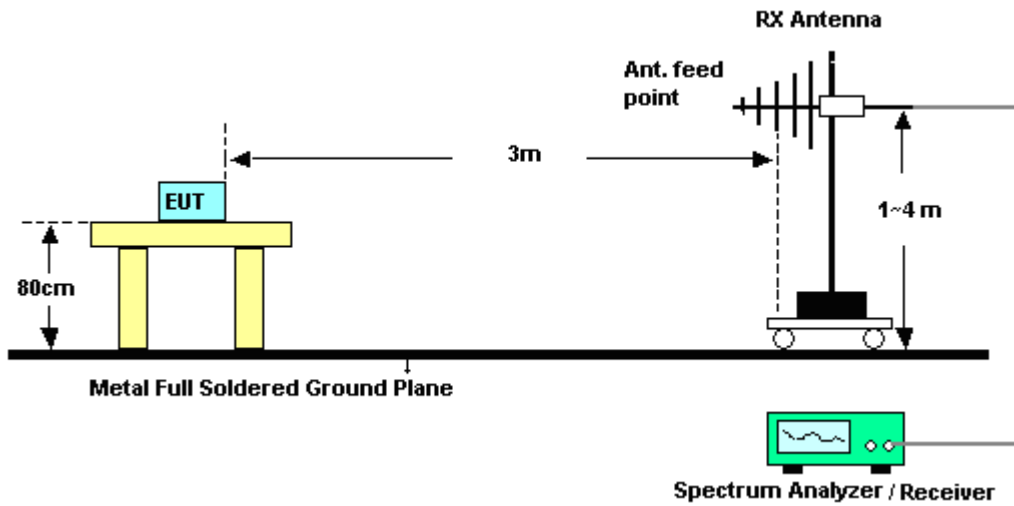
2. The EUT was placed on a turntable with 0.8 meter for frequency below 1GHz and 1.5 meter for frequency above 1GHz respectively above ground.
3. The EUT was set 3 meters from the interference receiving antenna which was mounted on the top of a variable height antenna tower.
4. The antenna is a broadband antenna and its height is adjusted between one meter and four meters above ground to find the maximum value of the field strength for both horizontal polarization and vertical polarization of the antenna.
5. For each suspected emission, the EUT was arranged to its worst case and then adjust the antenna tower (from 1 m to 4 m) and turntable (from 0 degree to 360 degrees) to find the maximum reading.
6. For testing below 1GHz, if the emission level of the EUT in peak mode was 3 dB lower than the limit specified, then peak values of EUT will be reported, otherwise, the emissions will be repeated one by one using the CISPR quasi-peak method and reported.
7. For testing above 1GHz, the emission level of the EUT in peak mode was 20dB lower than average limit (that means the emission level in average mode also complies with the limit in average mode), then peak values of EUT will be reported, otherwise, the emissions will be measured in average mode again and reported.

3.2.4 Test Setup

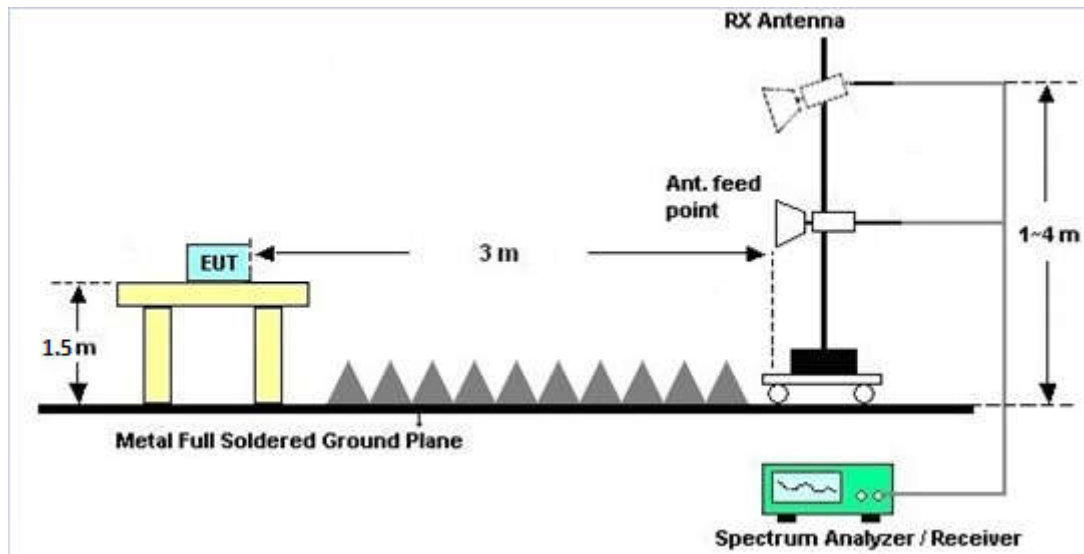
For radiated emissions below 30MHz



For radiated emissions from 30MHz to 1GHz



For radiated emissions above 1GHz



3.2.5 Test Results of Radiated Spurious Emissions (9 kHz ~ 30 MHz)

The low frequency, which started from 9 kHz to 30MHz, was pre-scanned and the result which was 20dB lower than the limit line was not reported.

3.2.6 Test Result of Radiated Spurious at Band Edges

Please refer to Appendix B.

3.2.7 Duty Cycle

Please refer to Appendix C.

3.2.8 Test Result of Radiated Spurious Emission (30MHz ~ 10th Harmonic)

Please refer to Appendix B.



3.3 AC Conducted Emission Measurement

3.3.1 Limit of AC Conducted Emission

For equipment that is designed to be connected to the public utility (AC) power line, the radio frequency voltage that is conducted back onto the AC power line on any frequency or frequencies within the band 150 kHz to 30 MHz shall not exceed the limits in the following table.

Frequency of emission (MHz)	Conducted limit (dBµV)	
	Quasi-peak	Average
0.15-0.5	66 to 56*	56 to 46*
0.5-5	56	46
5-30	60	50

*Decreases with the logarithm of the frequency.

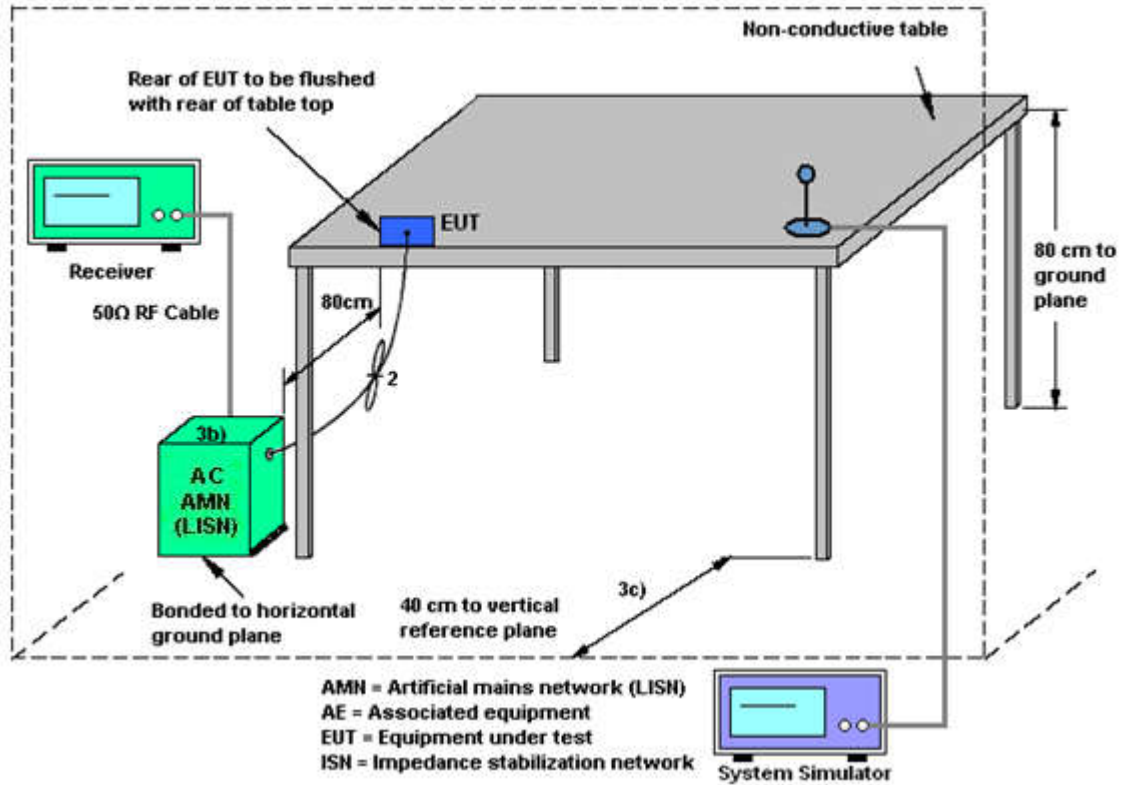
3.3.2 Measuring Instruments

The measuring equipment is listed in the section 4 of this test report.

3.3.3 Test Procedures

1. The EUT was placed 0.4 meter from the conducting wall of the shielding room was kept at least 80 centimeters from any other grounded conducting surface.
2. Connect EUT to the power mains through a line impedance stabilization network (LISN).
3. All the support units are connecting to the other LISN.
4. The LISN provides 50 ohm coupling impedance for the measuring instrument.
5. The FCC states that a 50 ohm, 50 microhenry LISN should be used.
6. Both sides of AC line were checked for maximum conducted interference.
7. The frequency range from 150 kHz to 30 MHz was searched.
8. Set the test-receiver system to Peak Detect Function and specified bandwidth with Maximum Hold Mode.

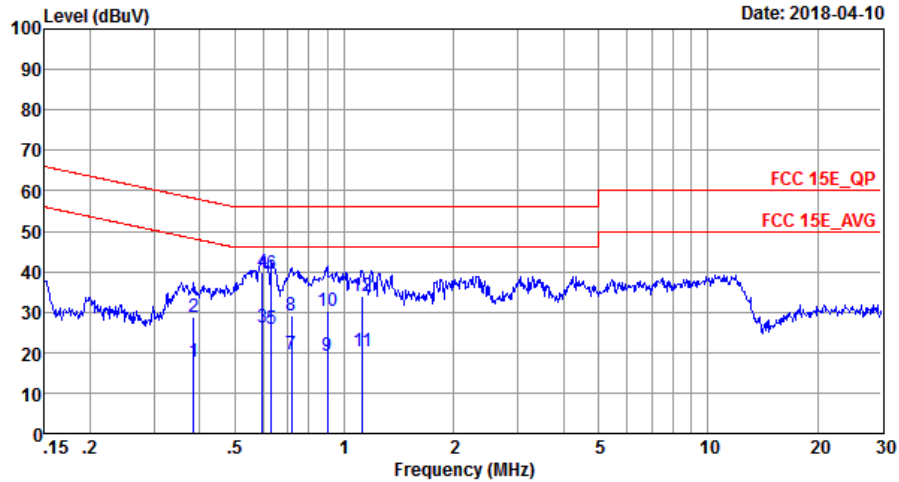
3.3.4 Test Setup





3.3.5 Test Result of AC Conducted Emission

Test Mode :	Mode 1	Temperature :	22~25°C
Test Engineer :	Lion Gao	Relative Humidity :	50~55%
Test Voltage :	120Vac / 60Hz	Phase :	Line
Function Type :	WCDMA Band II Idle + Bluetooth Link + WLAN Link (5G) + USB Cable (Charging from Adapter 2) + Earphone + Camera(Front)		

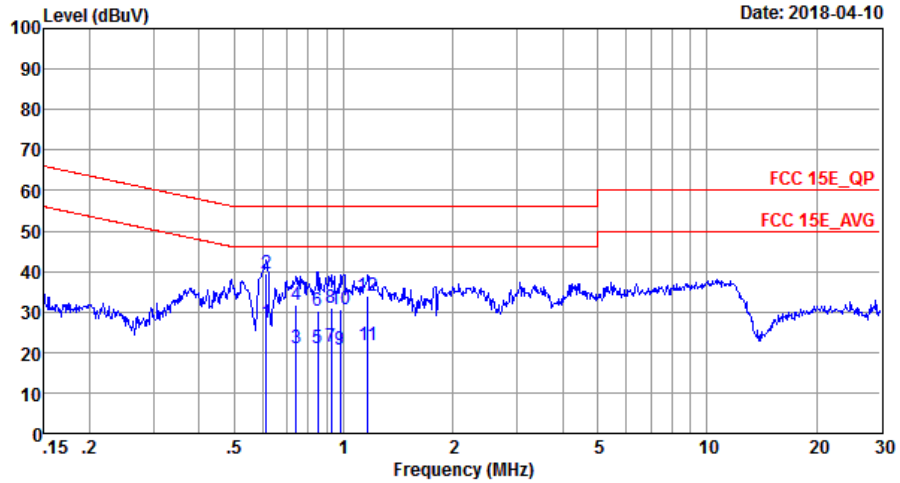


Site : CO01-SZ
 Condition: FCC 15E_QP LISN_20170907_L LINE

	Freq	Level	Over Limit	Limit Line	Read Level	LISN Factor	Cable Loss	Remark
	MHz	dBuV	dB	dBuV	dBuV	dB	dB	
1	0.39	17.71	-30.46	48.17	7.60	0.03	10.08	Average
2	0.39	28.71	-29.46	58.17	18.60	0.03	10.08	QP
3	0.59	26.20	-19.80	46.00	16.10	0.02	10.08	Average
4 *	0.59	39.70	-16.30	56.00	29.60	0.02	10.08	QP
5	0.63	26.00	-20.00	46.00	15.90	0.02	10.08	Average
6	0.63	39.60	-16.40	56.00	29.50	0.02	10.08	QP
7	0.72	19.60	-26.40	46.00	9.50	0.02	10.08	Average
8	0.72	29.30	-26.70	56.00	19.20	0.02	10.08	QP
9	0.90	19.24	-26.76	46.00	9.09	0.06	10.09	Average
10	0.90	30.34	-25.66	56.00	20.19	0.06	10.09	QP
11	1.12	20.27	-25.73	46.00	10.10	0.08	10.09	Average
12	1.12	33.97	-22.03	56.00	23.80	0.08	10.09	QP



Test Mode :	Mode 1	Temperature :	22~25°C
Test Engineer :	Lion Gao	Relative Humidity :	50~55%
Test Voltage :	120Vac / 60Hz	Phase :	Neutral
Function Type :	WCDMA Band II Idle + Bluetooth Link + WLAN Link (5G) + USB Cable (Charging from Adapter 2) + Earphone + Camera(Front)		



Site : C001-SZ
 Condition: FCC 15E_QP LISN_20170907_N NEUTRAL

	Freq	Level	Over Limit	Limit Line	Read Level	LISN Factor	Cable Loss	Remark
	MHz	dBuV	dB	dBuV	dBuV	dB	dB	
1	0.61	27.30	-18.70	46.00	17.20	0.02	10.08	Average
2 *	0.61	39.50	-16.50	56.00	29.40	0.02	10.08	QP
3	0.74	21.01	-24.99	46.00	10.91	0.02	10.08	Average
4	0.74	31.81	-24.19	56.00	21.71	0.02	10.08	QP
5	0.85	21.02	-24.98	46.00	10.89	0.04	10.09	Average
6	0.85	30.32	-25.68	56.00	20.19	0.04	10.09	QP
7	0.92	21.23	-24.77	46.00	11.10	0.04	10.09	Average
8	0.92	31.03	-24.97	56.00	20.90	0.04	10.09	QP
9	0.98	20.84	-25.16	46.00	10.70	0.05	10.09	Average
10	0.98	30.74	-25.26	56.00	20.60	0.05	10.09	QP
11	1.17	21.64	-24.36	46.00	11.50	0.05	10.09	Average
12	1.17	33.84	-22.16	56.00	23.70	0.05	10.09	QP



3.4 Automatically Discontinue Transmission

3.4.1 Limit of Automatically Discontinue Transmission

The device shall automatically discontinue transmission in case of either absence of information to transmit or operational failure. These provisions are not intended to preclude the transmission of control or signaling information or the use of repetitive codes used by certain digital technologies to complete frame or burst intervals. Applicants shall include in their application for equipment authorization to describe how this requirement is met.

3.4.2 Measuring Instruments

The measuring equipment is listed in the section 4 of this test report.

3.4.3 Test Result of Automatically Discontinue Transmission

While the EUT is not transmitting any information, the EUT can automatically discontinue transmission and become standby mode for power saving. The EUT can detect the controlling signal of ACK message transmitting from remote device and verify whether it shall resend or discontinue transmission.



3.5 Antenna Requirements

3.5.1 Standard Applicable

If transmitting antenna directional gain is greater than 6 dBi, both the peak transmit power and the peak power spectral density shall be reduced by the amount in dB that the directional gain of the antenna exceeds 6 dBi.

3.5.2 Antenna Anti-Replacement Construction

An embedded-in antenna design is used.

3.5.3 Antenna Gain

The antenna gain is less than 6 dBi. Therefore, it is not necessary to reduce maximum peak output power limit.



4 List of Measuring Equipment

Instrument	Manufacturer	Model No.	Serial No.	Characteristics	Calibration Date	Test Date	Due Date	Remark
Pulse Power Sensor	Anritsu	MA2411B	1207253	30MHz~40GHz	Dec. 26, 2017	Apr. 10, 2018	Dec. 25, 2018	Conducted (TH01-SZ)
Power Meter	Anritsu	ML2495A	1218010	50MHz Bandwidth	Dec. 26, 2017	Apr. 10, 2018	Dec. 25, 2018	Conducted (TH01-SZ)
EMI Test Receiver	R&S	ESR7	101404	9kHz~7GHz	Apr. 20, 2017	Apr. 12, 2018	Apr. 19, 2018	Radiation (03CH04-SZ)
EXA Spectrum Analyzer	KEYSIGHT	N9010A	MY55150213	10Hz~44GHz	Apr. 20, 2017	Apr. 12, 2018	Apr. 19, 2018	Radiation (03CH04-SZ)
Loop Antenna	R&S	HFH2-Z2	100354	9kHz~30MHz	May 14, 2017	Apr. 12, 2018	May 13, 2018	Radiation (03CH04-SZ)
Bilog Antenna	TeseQ	CBL6111D	41909	30MHz~1GHz	May 16, 2017	Apr. 12, 2018	May 15, 2018	Radiation (03CH04-SZ)
Double Ridge Horn Antenna	SCHWARZBECK	BBHA9120D	9120D-1285	1GHz~18GHz	Dec. 13, 2017	Apr. 12, 2018	Dec. 12, 2018	Radiation (03CH04-SZ)
Horn Antenna	SCHWARZBECK	BBHA9170	9170#679	15GHz~40GHz	May 17, 2017	Apr. 12, 2018	May 16, 2018	Radiation (03CH04-SZ)
Amplifier	Burgeon	BPA-530	102211	0.01Hz ~3000MHz	Oct. 19, 2017	Apr. 12, 2018	Oct. 18, 2018	Radiation (03CH04-SZ)
HF Amplifier	MITEQ	AMF-7D-001 01800-30-10 P-R	1989346	1GHz~18GHz	Jul. 27, 2017	Apr. 12, 2018	Jul. 26, 2018	Radiation (03CH04-SZ)
HF Amplifier	MITEQ	TTA1840-35- HG	1988315	18GHz~40GHz	Jul. 27, 2017	Apr. 12, 2018	Jul. 26, 2018	Radiation (03CH04-SZ)
Amplifier	Agilent Technologies	83017A	MY53270156	500MHz~26.5G Hz	Apr. 20, 2017	Apr. 12, 2018	Apr. 19, 2018	Radiation (03CH04-SZ)
AC Power Source	Chroma	61601	N/A	N/A	NCR	Apr. 12, 2018	NCR	Radiation (03CH04-SZ)
Turn Table	EM	EM1000	N/A	0~360 degree	NCR	Apr. 12, 2018	NCR	Radiation (03CH04-SZ)
Antenna Mast	EM	EM1000	N/A	1 m~4 m	NCR	Apr. 12, 2018	NCR	Radiation (03CH04-SZ)
EMI Receiver	R&S	ESR7	101630	9kHz~7GHz;	Dec. 26, 2017	Apr. 10, 2018	Dec. 25, 2018	Conduction (CO01-SZ)
AC LISN	EMCO	3816/2SH	00103912	9kHz~30MHz	Dec. 26, 2017	Apr. 10, 2018	Dec. 25, 2018	Conduction (CO01-SZ)
AC LISN (for auxiliary equipment)	MessTec	3816/2SH	00103892	9kHz~30MHz	Nov. 01, 2017	Apr. 10, 2018	Oct. 31, 2018	Conduction (CO01-SZ)
AC Power Source	Chroma	61602	6160200008 91	100Vac~250Vac	Jul. 19, 2017	Apr. 10, 2018	Jul. 18, 2018	Conduction (CO01-SZ)

NCR: No Calibration Required



5 Uncertainty of Evaluation

Uncertainty of Conducted Emission Measurement (150kHz ~ 30MHz)

Measuring Uncertainty for a Level of Confidence of 95% (U = 2Uc(y))	2.6dB
---------------------------------------------------------------------	-------

Uncertainty of Radiated Emission Measurement (30 MHz ~ 1000 MHz)

Measuring Uncertainty for a Level of Confidence of 95% (U = 2Uc(y))	5.1dB
---------------------------------------------------------------------	-------

Uncertainty of Radiated Emission Measurement (1000 MHz ~ 18000 MHz)

Measuring Uncertainty for a Level of Confidence of 95% (U = 2Uc(y))	4.8dB
---------------------------------------------------------------------	-------

Uncertainty of Radiated Emission Measurement (18000 MHz ~ 40000 MHz)

Measuring Uncertainty for a Level of Confidence of 95% (U = 2Uc(y))	5.1dB
---------------------------------------------------------------------	-------

Appendix A. Test Result of Conducted Test Items

Test Engineer:	Wilson Chen	Temperature:	21~25	°C
Test Date:	2018/4/10	Relative Humidity:	51~54	%

TEST RESULTS DATA
Average Power Table

FCC Band I										
Mod.	Data Rate	NTX	CH.	Freq. (MHz)	Duty Factor (dB)	Average Conducted Power (dBm)	FCC Conducted Power Limit (dBm)	DG (dBi)		Pass/Fail
11a	6Mbps	1	36	5180	0.58	17.96	24.00	-2.00		Pass
11a	6Mbps	1	44	5220	0.58	18.06	24.00	-2.00		Pass
11a	6Mbps	1	48	5240	0.58	18.08	24.00	-2.00		Pass
HT20	MCS0	1	36	5180	0.64	17.95	24.00	-2.00		Pass
HT20	MCS0	1	44	5220	0.64	18.04	24.00	-2.00		Pass
HT20	MCS0	1	48	5240	0.64	18.06	24.00	-2.00		Pass
HT40	MCS0	1	38	5190	1.18	16.84	24.00	-2.00		Pass
HT40	MCS0	1	46	5230	1.18	17.35	24.00	-2.00		Pass

TEST RESULTS DATA
Average Power Table

FCC Band II										
Mod.	Data Rate	N _{TX}	CH.	Freq. (MHz)	Duty Factor (dB)	Average Conducted Power (dBm)	FCC Conducted Power Limit (dBm)	DG (dBi)	EIRP Power Limit (dBm)	Pass/Fail
11a	6M bps	1	52	5260	0.58	18.11	23.98	-2.00	26.99	Pass
11a	6M bps	1	60	5300	0.58	18.13	23.98	-2.00	26.99	Pass
11a	6M bps	1	64	5320	0.58	18.20	23.98	-2.00	26.99	Pass
HT20	MCS 0	1	52	5260	0.64	18.09	23.98	-2.00	26.99	Pass
HT20	MCS 0	1	60	5300	0.64	18.11	23.98	-2.00	26.99	Pass
HT20	MCS 0	1	64	5320	0.64	18.17	23.98	-2.00	26.99	Pass
HT40	MCS 0	1	54	5270	1.18	17.46	23.98	-2.00	26.99	Pass
HT40	MCS 0	1	62	5310	1.18	17.42	23.98	-2.00	26.99	Pass

TEST RESULTS DATA
Average Power Table

FCC Band III										
Mod.	Data Rate	N _{TX}	CH.	Freq. (MHz)	Duty Factor (dB)	Average Conducted Power (dBm)	FCC Conducted Power Limit (dBm)	DG (dBi)	EIRP Power Limit (dBm)	Pass/Fail
11a	6M bps	1	100	5500	0.58	17.58	23.98	-2.00	26.99	Pass
11a	6M bps	1	116	5580	0.58	17.83	23.98	-2.00	26.99	Pass
11a	6M bps	1	140	5700	0.58	17.75	23.98	-2.00	26.99	Pass
HT20	MCS 0	1	100	5500	0.64	17.57	23.98	-2.00	26.99	Pass
HT20	MCS 0	1	116	5580	0.64	17.80	23.98	-2.00	26.99	Pass
HT20	MCS 0	1	140	5700	0.64	17.71	23.98	-2.00	26.99	Pass
HT40	MCS 0	1	102	5510	1.18	16.65	23.98	-2.00	26.99	Pass
HT40	MCS 0	1	110	5550	1.18	16.72	23.98	-2.00	26.99	Pass
HT40	MCS 0	1	134	5670	1.18	16.79	23.98	-2.00	26.99	Pass



Appendix B. Radiated Spurious Emission

Band 1 - 5150~5250MHz WIFI 802.11a (Band Edge @ 3m)

WIFI	Note	Frequency	Level	Over	Limit	Read	Antenna	Cable	Preamp	Ant	Table	Peak	Pol.
Ant.				Limit	Line	Level	Factor	Loss	Factor	Pos	Pos	Avg.	
1		(MHz)	(dBμV/m)	(dB)	(dBμV/m)	(dBμV)	(dB/m)	(dB)	(dB)	(cm)	(deg)	(P/A)	(H/V)
802.11a CH 36 5180MHz		5053.04	52.83	-21.17	74	42	32.21	6.05	27.43	291	321	P	H
		5127.66	44.4	-9.6	54	33.44	32.24	6.04	27.32	291	321	A	H
	*	5180	101.19	-	-	90.14	32.25	6.04	27.24	291	321	P	H
	*	5180	94.06	-	-	83.01	32.25	6.04	27.24	291	321	A	H
		5149.24	54.82	-19.18	74	43.82	32.24	6.04	27.28	109	321	P	V
		5150	45.39	-8.61	54	34.39	32.24	6.04	27.28	109	321	A	V
	*	5180	102.78	-	-	91.73	32.25	6.04	27.24	109	321	P	V
	*	5180	95.11	-	-	84.06	32.25	6.04	27.24	109	321	A	V
802.11a CH 44 5220MHz		5092.3	53.07	-20.93	74	42.18	32.23	6.05	27.39	242	292	P	H
		5069.94	43.62	-10.38	54	32.74	32.22	6.05	27.39	242	292	A	H
	*	5220	103.57	-	-	92.49	32.26	6.03	27.21	242	292	P	H
	*	5220	96.99	-	-	85.91	32.26	6.03	27.21	242	292	A	H
		5434.8	52.47	-21.53	74	40.94	32.34	6.06	26.87	242	292	P	H
		5456.64	42.76	-11.24	54	31.2	32.34	6.06	26.84	242	292	A	H
		5039.52	52.6	-21.4	74	41.8	32.21	6.05	27.46	100	321	P	V
		5078.52	43.52	-10.48	54	32.64	32.22	6.05	27.39	100	321	A	V
	*	5220	102.86	-	-	91.78	32.26	6.03	27.21	100	321	P	V
	*	5220	95.33	-	-	84.25	32.26	6.03	27.21	100	321	A	V
		5455.52	51.39	-22.61	74	39.83	32.34	6.06	26.84	100	321	P	V
		5458.88	43.07	-10.93	54	31.51	32.34	6.06	26.84	100	321	A	V



802.11a CH 48 5240MHz		5099.32	53.86	-20.14	74	42.93	32.23	6.05	27.35	241	292	P	H
		5090.74	43.58	-10.42	54	32.69	32.23	6.05	27.39	241	292	A	H
	*	5240	103	-	-	91.87	32.27	6.03	27.17	241	292	P	H
	*	5240	96.29	-	-	85.16	32.27	6.03	27.17	241	292	A	H
		5457.2	51.77	-22.23	74	40.21	32.34	6.06	26.84	241	292	P	H
		5439.56	43.01	-10.99	54	31.48	32.34	6.06	26.87	241	292	A	H
		5049.14	52.66	-21.34	74	41.83	32.21	6.05	27.43	108	322	P	V
		5048.88	43.48	-10.52	54	32.65	32.21	6.05	27.43	108	322	A	V
	*	5240	102.71	-	-	91.58	32.27	6.03	27.17	108	322	P	V
	*	5240	95.19	-	-	84.06	32.27	6.03	27.17	108	322	A	V
		5415.48	51.96	-22.04	74	40.53	32.33	6.01	26.91	108	322	P	V
		5438.16	43.07	-10.93	54	31.54	32.34	6.06	26.87	108	322	A	V
Remark	1. No other spurious found. 2. All results are PASS against Peak and Average limit line.												



Band 1 5150~5250MHz

WIFI 802.11a (Harmonic @ 3m)

WIFI Ant. 1	Note	Frequency (MHz)	Level (dBμV/m)	Over Limit (dB)	Limit Line (dBμV/m)	Read Level (dBμV)	Antenna Factor (dB/m)	Cable Loss (dB)	Preamp Factor (dB)	Ant Pos (cm)	Table Pos (deg)	Peak Avg. (P/A)	Pol. (H/V)
802.11a CH 36 5180MHz		10360	50.73	-23.27	74	59.1	38.25	9.23	55.85	152	260	P	H
		15540	49.4	-24.6	74	55.26	38.94	11.93	56.73	189	238	P	H
		10360	48.71	-25.29	74	57.08	38.25	9.23	55.85	121	225	P	V
		15540	49.48	-24.52	74	55.34	38.94	11.93	56.73	185	210	P	V
802.11a CH 44 5220MHz		10440	47.4	-26.6	74	55.72	38.31	9.25	55.88	110	230	P	H
		15660	47.89	-26.11	74	53.77	38.54	12.07	56.49	160	228	P	H
		10440	47.75	-26.25	74	56.07	38.31	9.25	55.88	150	230	P	V
		15660	49.13	-24.87	74	55.01	38.54	12.07	56.49	160	225	P	V
802.11a CH 48 5240MHz		10480	47.11	-26.89	74	55.39	38.36	9.26	55.9	150	120	P	H
		15720	48.1	-25.9	74	54.03	38.31	12.11	56.35	200	89	P	H
		10480	46.26	-27.74	74	54.54	38.36	9.26	55.9	189	12	P	V
		15720	46.81	-27.19	74	52.74	38.31	12.11	56.35	198	226	P	V
Remark	1. No other spurious found. 2. All results are PASS against Peak and Average limit line.												



Band 1 5150~5250MHz
WIFI 802.11n HT20 (Band Edge @ 3m)

WIFI Ant. 1	Note	Frequency (MHz)	Level (dBμV/m)	Over Limit (dB)	Limit Line (dBμV/m)	Read Level (dBμV)	Antenna Factor (dB/m)	Cable Loss (dB)	Preamp Factor (dB)	Ant Pos (cm)	Table Pos (deg)	Peak Avg. (P/A)	Pol. (H/V)
802.11n HT20 CH 36 5180MHz		5146.64	57.23	-16.77	74	46.23	32.24	6.04	27.28	244	292	P	H
		5150	47.16	-6.84	54	36.16	32.24	6.04	27.28	244	292	A	H
	*	5180	103.72	-	-	92.67	32.25	6.04	27.24	244	292	P	H
	*	5180	96.95	-	-	85.9	32.25	6.04	27.24	244	292	A	H
		5147.68	55.45	-18.55	74	44.45	32.24	6.04	27.28	100	319	P	V
		5150	46.37	-7.63	54	35.37	32.24	6.04	27.28	100	319	A	V
	*	5180	101.74	-	-	90.69	32.25	6.04	27.24	100	319	P	V
	*	5180	93.45	-	-	82.4	32.25	6.04	27.24	100	319	A	V
802.11n HT20 CH 44 5220MHz		5068.9	52.28	-21.72	74	41.4	32.22	6.05	27.39	260	290	P	H
		5068.38	43.87	-10.13	54	32.99	32.22	6.05	27.39	260	290	A	H
	*	5220	102.04	-	-	90.96	32.26	6.03	27.21	260	290	P	H
	*	5220	94.59	-	-	83.51	32.26	6.03	27.21	260	290	A	H
		5432.84	52.15	-21.85	74	40.62	32.34	6.06	26.87	260	290	P	H
		5456.08	43.11	-10.89	54	31.55	32.34	6.06	26.84	260	290	A	H
		5092.04	52.88	-21.12	74	41.99	32.23	6.05	27.39	100	319	P	V
		5024.7	43.52	-10.48	54	32.71	32.21	6.06	27.46	100	319	A	V
	*	5220	102.59	-	-	91.51	32.26	6.03	27.21	100	319	P	V
	*	5220	95.19	-	-	84.11	32.26	6.03	27.21	100	319	A	V
		5433.96	51.4	-22.6	74	39.87	32.34	6.06	26.87	100	319	P	V
	5452.72	43.07	-10.93	54	31.51	32.34	6.06	26.84	100	319	A	V	



802.11n HT20 CH 48 5240MHz		5008.06	54.2	-19.8	74	43.44	32.2	6.06	27.5	258	290	P	H
		5089.44	43.8	-10.2	54	32.91	32.23	6.05	27.39	258	290	A	H
	*	5240	103.73	-	-	92.6	32.27	6.03	27.17	258	290	P	H
	*	5240	96.53	-	-	85.4	32.27	6.03	27.17	258	290	A	H
		5440.68	51.98	-22.02	74	40.45	32.34	6.06	26.87	258	290	P	H
		5438.16	43.1	-10.9	54	31.57	32.34	6.06	26.87	258	290	A	H
		5020.8	52.11	-21.89	74	41.3	32.21	6.06	27.46	105	325	P	V
		5007.8	43.48	-10.52	54	32.72	32.2	6.06	27.5	105	325	A	V
	*	5240	103.29	-	-	92.16	32.27	6.03	27.17	105	325	P	V
	*	5240	96.73	-	-	85.6	32.27	6.03	27.17	105	325	A	V
		5412.4	51.77	-22.23	74	40.34	32.33	6.01	26.91	105	325	P	V
		5440.12	43.13	-10.87	54	31.6	32.34	6.06	26.87	105	325	A	V
Remark	1. No other spurious found. 2. All results are PASS against Peak and Average limit line.												



Band 1 5150~5250MHz
WIFI 802.11n HT20 (Harmonic @ 3m)

WIFI Ant. 1	Note	Frequency (MHz)	Level (dBμV/m)	Over Limit (dB)	Limit Line (dBμV/m)	Read Level (dBμV)	Antenna Factor (dB/m)	Cable Loss (dB)	Preamp Factor (dB)	Ant Pos (cm)	Table Pos (deg)	Peak Avg. (P/A)	Pol. (H/V)
802.11n HT20 CH 36 5180MHz		10360	47.12	-26.88	74	55.49	38.25	9.23	55.85	152	260	P	H
		15540	47.76	-26.24	74	53.62	38.94	11.93	56.73	189	238	P	H
		10360	46.99	-27.01	74	55.36	38.25	9.23	55.85	121	225	P	V
		15540	47.93	-26.07	74	53.79	38.94	11.93	56.73	185	210	P	V
802.11n HT20 CH 44 5220MHz		10440	47.8	-26.2	74	56.12	38.31	9.25	55.88	110	230	P	H
		15660	47.73	-26.27	74	53.61	38.54	12.07	56.49	160	228	P	H
		10440	47.07	-26.93	74	55.39	38.31	9.25	55.88	150	230	P	V
		15660	48.21	-25.79	74	54.09	38.54	12.07	56.49	160	225	P	V
802.11n HT20 CH 48 5240MHz		10480	46.85	-27.15	74	55.13	38.36	9.26	55.9	150	120	P	H
		15720	47.88	-26.12	74	53.81	38.31	12.11	56.35	200	89	P	H
		10480	47.48	-26.52	74	55.76	38.36	9.26	55.9	189	12	P	V
		15720	48.35	-25.65	74	54.28	38.31	12.11	56.35	198	226	P	V
Remark	1. No other spurious found. 2. All results are PASS against Peak and Average limit line.												



Band 1 5150~5250MHz
WIFI 802.11n HT40 (Band Edge @ 3m)

WIFI Ant. 1	Note	Frequency (MHz)	Level (dBμV/m)	Over Limit (dB)	Limit Line (dBμV/m)	Read Level (dBμV)	Antenna Factor (dB/m)	Cable Loss (dB)	Preamp Factor (dB)	Ant Pos (cm)	Table Pos (deg)	Peak Avg. (P/A)	Pol. (H/V)
802.11n HT40 CH 38 5190MHz		5147.16	60.12	-13.88	74	49.12	32.24	6.04	27.28	273	289	P	H
		5148.98	50.02	-3.98	54	39.02	32.24	6.04	27.28	273	289	A	H
	*	5190	100.07	-	-	89.02	32.25	6.04	27.24	273	289	P	H
	*	5190	93.06	-	-	82.01	32.25	6.04	27.24	273	289	A	H
		5405.12	51.35	-22.65	74	39.93	32.32	6.01	26.91	273	289	P	H
		5444.04	43.18	-10.82	54	31.65	32.34	6.06	26.87	273	289	A	H
		5149.5	57.4	-16.6	74	46.4	32.24	6.04	27.28	100	317	P	V
		5146.9	47.95	-6.05	54	36.95	32.24	6.04	27.28	100	317	A	V
	*	5190	97.72	-	-	86.67	32.25	6.04	27.24	100	317	P	V
	*	5190	90.85	-	-	79.8	32.25	6.04	27.24	100	317	A	V
		5361.44	51.74	-22.26	74	40.4	32.31	6.01	26.98	100	317	P	V
		5456.36	43.5	-10.5	54	31.94	32.34	6.06	26.84	100	317	A	V
802.11n HT40 CH 46 5230MHz		5127.4	52.5	-21.5	74	41.54	32.24	6.04	27.32	273	289	P	H
		5125.84	44.28	-9.72	54	33.32	32.24	6.04	27.32	273	289	A	H
	*	5230	100	-	-	88.87	32.27	6.03	27.17	273	289	P	H
	*	5230	93.18	-	-	82.05	32.27	6.03	27.17	273	289	A	H
		5453.56	51.67	-22.33	74	40.11	32.34	6.06	26.84	273	289	P	H
		5453	43.39	-10.61	54	31.83	32.34	6.06	26.84	273	289	A	H
		5057.72	52.93	-21.07	74	42.09	32.22	6.05	27.43	100	317	P	V
		5004.16	43.8	-10.2	54	33.04	32.2	6.06	27.5	100	317	A	V
	*	5230	99.22	-	-	88.09	32.27	6.03	27.17	100	317	P	V
	*	5230	92.88	-	-	81.75	32.27	6.03	27.17	100	317	A	V
	5397.56	50.98	-23.02	74	39.6	32.32	6.01	26.95	100	317	P	V	
	5459.72	43.39	-10.61	54	31.83	32.34	6.06	26.84	100	317	A	V	
Remark	1. No other spurious found. 2. All results are PASS against Peak and Average limit line.												



Band 1 5150~5250MHz
WIFI 802.11n HT40 (Harmonic @ 3m)

Table with 14 columns: WIFI Ant. 1, Note, Frequency (MHz), Level (dBµV/m), Over Limit (dB), Limit Line (dBµV/m), Read Level (dBµV), Antenna Factor (dB/m), Cable Loss (dB), Preamp Factor (dB), Ant Pos (cm), Table Pos (deg), Peak Avg. (P/A), Pol. (H/V). Rows include data for 802.11n HT40 CH 38 (5190MHz) and 802.11n HT40 CH 46 (5230MHz).

- 1. No other spurious found.
2. All results are PASS against Peak and Average limit line.



Band 1 5150~5250MHz

Band 2 - 5250~5350MHz

WIFI 802.11a (Band Edge @ 3m)

WIFI	Note	Frequency	Level	Over	Limit	Read	Antenna	Cable	Preamp	Ant	Table	Peak	Pol.
Ant.				Limit	Line	Level	Factor	Loss	Factor	Pos	Pos	Avg.	
1		(MHz)	(dBμV/m)	(dB)	(dBμV/m)	(dBμV)	(dB/m)	(dB)	(dB)	(cm)	(deg)	(P/A)	(H/V)
802.11a CH 52 5260MHz		5050.4	51.82	-22.18	74	40.99	32.21	6.05	27.43	254	289	P	H
		5061.25	43.69	-10.31	54	32.85	32.22	6.05	27.43	254	289	A	H
	*	5260	104	-	-	92.82	32.28	6.03	27.13	254	289	P	H
	*	5260	96.88	-	-	85.7	32.28	6.03	27.13	254	289	A	H
		5354.64	52.41	-21.59	74	41.07	32.31	6.01	26.98	254	289	P	H
		5444.4	43.26	-10.74	54	31.73	32.34	6.06	26.87	254	289	A	H
		5135.45	52.05	-21.95	74	41.09	32.24	6.04	27.32	100	320	P	V
		5004.9	43.46	-10.54	54	32.7	32.2	6.06	27.5	100	320	A	V
	*	5260	102.18	-	-	91	32.28	6.03	27.13	100	320	P	V
	*	5260	95.28	-	-	84.1	32.28	6.03	27.13	100	320	A	V
		5454	51.63	-22.37	74	40.07	32.34	6.06	26.84	100	320	P	V
		5451.12	43.36	-10.64	54	31.8	32.34	6.06	26.84	100	320	A	V
802.11a CH 60 5300MHz		5025.9	52.42	-21.58	74	41.61	32.21	6.06	27.46	266	286	P	H
		5024.85	43.41	-10.59	54	32.6	32.21	6.06	27.46	266	286	A	H
	*	5300	102.13	-	-	90.88	32.29	6.02	27.06	266	286	P	H
	*	5300	94.76	-	-	83.51	32.29	6.02	27.06	266	286	A	H
		5441.52	52.55	-21.45	74	41.02	32.34	6.06	26.87	266	286	P	H
		5352.48	44.8	-9.2	54	33.46	32.31	6.01	26.98	266	286	A	H
		5012.6	52.77	-21.23	74	42.01	32.2	6.06	27.5	100	324	P	V
		5014.35	43.54	-10.46	54	32.78	32.2	6.06	27.5	100	324	A	V
	*	5300	102.24	-	-	90.99	32.29	6.02	27.06	100	324	P	V
	*	5300	95.43	-	-	84.18	32.29	6.02	27.06	100	324	A	V
		5353.2	52.1	-21.9	74	40.76	32.31	6.01	26.98	100	324	P	V
		5352.24	45.66	-8.34	54	34.32	32.31	6.01	26.98	100	324	A	V



802.11a CH 64 5320MHz	*	5320	102.91	-	-	91.65	32.3	6.02	27.06	249	287	P	H
	*	5320	95.96	-	-	84.7	32.3	6.02	27.06	249	287	A	H
		5351.36	52.85	-21.15	74	41.51	32.31	6.01	26.98	249	287	P	H
		5372.32	44.41	-9.59	54	33.07	32.31	6.01	26.98	249	287	A	H
	*	5320	101.91	-	-	90.65	32.3	6.02	27.06	100	320	P	V
	*	5320	95.28	-	-	84.02	32.3	6.02	27.06	100	320	A	V
		5374.24	52.17	-21.83	74	40.8	32.31	6.01	26.95	100	320	P	V
		5372.32	44.8	-9.2	54	33.46	32.31	6.01	26.98	100	320	A	V
Remark	<ol style="list-style-type: none"> No other spurious found. All results are PASS against Peak and Average limit line. 												



Band 2 5250~5350MHz
WIFI 802.11a (Harmonic @ 3m)

WIFI Ant. 1	Note	Frequency (MHz)	Level (dBμV/m)	Over Limit (dB)	Limit Line (dBμV/m)	Read Level (dBμV)	Antenna Factor (dB/m)	Cable Loss (dB)	Preamp Factor (dB)	Ant Pos (cm)	Table Pos (deg)	Peak Avg. (P/A)	Pol. (H/V)
802.11a CH 52 5260MHz		10520	47.61	-26.39	74	55.86	38.39	9.27	55.91	120	298	P	H
		15780	48.2	-25.8	74	54.11	38.14	12.2	56.25	192	39	P	H
		10520	46.81	-27.19	74	55.06	38.39	9.27	55.91	150	220	P	V
		15780	46.9	-27.1	74	52.81	38.14	12.2	56.25	159	345	P	V
802.11a CH 60 5300MHz		10600	46.4	-27.6	74	54.58	38.47	9.29	55.94	182	215	P	H
		15900	47.07	-26.93	74	53	37.74	12.34	56.01	196	18	P	H
		10600	47.03	-26.97	74	55.21	38.47	9.29	55.94	185	215	P	V
		15900	48.43	-25.57	74	54.36	37.74	12.34	56.01	196	190	P	V
802.11a CH 64 5320MHz		10640	47.35	-26.65	74	55.51	38.5	9.3	55.96	185	135	P	H
		15960	45.55	-28.45	74	51.48	37.51	12.43	55.87	173	296	P	H
		10640	46.67	-27.33	74	54.83	38.5	9.3	55.96	152	135	P	V
		15960	46.25	-27.75	74	52.18	37.51	12.43	55.87	173	245	P	V
Remark	1. No other spurious found. 2. All results are PASS against Peak and Average limit line.												



Band 2 5250~5350MHz
WIFI 802.11n HT20 (Band Edge @ 3m)

WIFI Ant. 1	Note	Frequency (MHz)	Level (dBμV/m)	Over Limit (dB)	Limit Line (dBμV/m)	Read Level (dBμV)	Antenna Factor (dB/m)	Cable Loss (dB)	Preamp Factor (dB)	Ant Pos (cm)	Table Pos (deg)	Peak Avg. (P/A)	Pol. (H/V)
802.11n HT20 CH 52 5260MHz		5020.65	52.24	-21.76	74	41.43	32.21	6.06	27.46	256	291	P	H
		5068.95	43.78	-10.22	54	32.9	32.22	6.05	27.39	256	291	A	H
	*	5260	104	-	-	92.82	32.28	6.03	27.13	256	291	P	H
	*	5260	96.58	-	-	85.4	32.28	6.03	27.13	256	291	A	H
		5456.4	52.51	-21.49	74	40.95	32.34	6.06	26.84	256	291	P	H
		5454	43.26	-10.74	54	31.7	32.34	6.06	26.84	256	291	A	H
		5007	52.64	-21.36	74	41.88	32.2	6.06	27.5	101	325	P	V
		5029.4	43.53	-10.47	54	32.72	32.21	6.06	27.46	101	325	A	V
	*	5260	102.54	-	-	91.36	32.28	6.03	27.13	101	325	P	V
	*	5260	95.98	-	-	84.8	32.28	6.03	27.13	101	325	A	V
		5449.2	51.74	-22.26	74	40.21	32.34	6.06	26.87	101	325	P	V
		5444.64	43.44	-10.56	54	31.91	32.34	6.06	26.87	101	325	A	V
802.11n HT20 CH 60 5300MHz		5050.05	52.32	-21.68	74	41.49	32.21	6.05	27.43	252	290	P	H
		5026.6	43.66	-10.34	54	32.85	32.21	6.06	27.46	252	290	A	H
	*	5300	101.77	-	-	90.52	32.29	6.02	27.06	252	290	P	H
	*	5300	94.5	-	-	83.25	32.29	6.02	27.06	252	290	A	H
		5371.92	51.11	-22.89	74	39.77	32.31	6.01	26.98	252	290	P	H
		5351.52	45.44	-8.56	54	34.1	32.31	6.01	26.98	252	290	A	H
		5079.45	51.61	-22.39	74	40.73	32.22	6.05	27.39	101	324	P	V
		5023.1	43.48	-10.52	54	32.67	32.21	6.06	27.46	101	324	A	V
	*	5300	102.97	-	-	91.72	32.29	6.02	27.06	101	324	P	V
	*	5300	94.86	-	-	83.61	32.29	6.02	27.06	101	324	A	V
	5352	52.58	-21.42	74	41.24	32.31	6.01	26.98	101	324	P	V	
	5352	45.15	-8.85	54	33.81	32.31	6.01	26.98	101	324	A	V	



802.11n HT20 CH 64 5320MHz	*	5320	102.76	-	-	91.5	32.3	6.02	27.06	262	284	P	H
	*	5320	95.96	-	-	84.7	32.3	6.02	27.06	262	284	A	H
		5354.72	54.99	-19.01	74	43.65	32.31	6.01	26.98	262	284	P	H
		5371.84	45.19	-8.81	54	33.85	32.31	6.01	26.98	262	284	A	H
	*	5320	102.41	-	-	91.15	32.3	6.02	27.06	100	324	P	V
	*	5320	95.96	-	-	84.7	32.3	6.02	27.06	100	324	A	V
		5350.24	56.13	-17.87	74	44.79	32.31	6.01	26.98	100	324	P	V
		5350.56	45.48	-8.52	54	34.14	32.31	6.01	26.98	100	324	A	V
Remark	<ol style="list-style-type: none"> No other spurious found. All results are PASS against Peak and Average limit line. 												



Band 2 5250~5350MHz
WIFI 802.11n HT20 (Harmonic @ 3m)

WIFI Ant. 1	Note	Frequency (MHz)	Level (dBμV/m)	Over Limit (dB)	Limit Line (dBμV/m)	Read Level (dBμV)	Antenna Factor (dB/m)	Cable Loss (dB)	Preamp Factor (dB)	Ant Pos (cm)	Table Pos (deg)	Peak Avg. (P/A)	Pol. (H/V)
802.11n HT20		10520	48.3	-25.7	74	56.55	38.39	9.27	55.91	120	298	P	H
		15780	48.36	-25.64	74	54.27	38.14	12.2	56.25	192	39	P	H
5260MHz CH 52		10520	47.97	-26.03	74	56.22	38.39	9.27	55.91	150	220	P	V
		15780	49.52	-24.48	74	55.43	38.14	12.2	56.25	159	345	P	V
5300MHz CH 60		10600	47.33	-26.67	74	55.51	38.47	9.29	55.94	182	215	P	H
		15900	48.3	-25.7	74	54.23	37.74	12.34	56.01	196	18	P	H
		10600	47.67	-26.33	74	55.85	38.47	9.29	55.94	185	215	P	V
		15900	47.23	-26.77	74	53.16	37.74	12.34	56.01	196	190	P	V
5320MHz CH 64		10640	47.71	-26.29	74	55.87	38.5	9.3	55.96	185	135	P	H
		15960	47	-27	74	52.93	37.51	12.43	55.87	173	296	P	H
		10640	46.57	-27.43	74	54.73	38.5	9.3	55.96	152	135	P	V
		15960	46.83	-27.17	74	52.76	37.51	12.43	55.87	173	245	P	V
Remark	1. No other spurious found. 2. All results are PASS against Peak and Average limit line.												



Band 2 5250~5350MHz
WIFI 802.11n HT40 (Band Edge @ 3m)

WIFI Ant. 1	Note	Frequency (MHz)	Level (dBμV/m)	Over Limit (dB)	Limit Line (dBμV/m)	Read Level (dBμV)	Antenna Factor (dB/m)	Cable Loss (dB)	Preamp Factor (dB)	Ant Pos (cm)	Table Pos (deg)	Peak Avg. (P/A)	Pol. (H/V)
802.11n HT40 CH 54 5270MHz		5007	52.86	-21.14	74	42.1	32.2	6.06	27.5	258	290	P	H
		5064.4	43.74	-10.26	54	32.9	32.22	6.05	27.43	258	290	A	H
	*	5270	100.56	-	-	89.38	32.28	6.03	27.13	258	290	P	H
	*	5270	93.67	-	-	82.49	32.28	6.03	27.13	258	290	A	H
		5428.08	51.97	-22.03	74	40.45	32.33	6.06	26.87	258	290	P	H
		5372.4	43.56	-10.44	54	32.22	32.31	6.01	26.98	258	290	A	H
		5013.3	51.79	-22.21	74	41.03	32.2	6.06	27.5	103	316	P	V
		5021.35	43.64	-10.36	54	32.83	32.21	6.06	27.46	103	316	A	V
	*	5270	98.9	-	-	87.72	32.28	6.03	27.13	103	316	P	V
	*	5270	92.67	-	-	81.49	32.28	6.03	27.13	103	316	A	V
		5377.68	51.86	-22.14	74	40.48	32.32	6.01	26.95	103	316	P	V
		5459.52	43.78	-10.22	54	32.22	32.34	6.06	26.84	103	316	A	V
802.11n HT40 CH 62 5310MHz		5117.6	52.68	-21.32	74	41.76	32.23	6.04	27.35	268	288	P	H
		5021.7	43.91	-10.09	54	33.1	32.21	6.06	27.46	268	288	A	H
	*	5310	99.02	-	-	87.76	32.3	6.02	27.06	268	288	P	H
	*	5310	93.4	-	-	82.14	32.3	6.02	27.06	268	288	A	H
		5353.92	58.74	-15.26	74	47.4	32.31	6.01	26.98	268	288	P	H
		5350.08	49.47	-4.53	54	38.13	32.31	6.01	26.98	268	288	A	H
		5052.5	51.61	-22.39	74	40.78	32.21	6.05	27.43	100	316	P	V
		5011.55	43.64	-10.36	54	32.88	32.2	6.06	27.5	100	316	A	V
	*	5310	98.69	-	-	87.43	32.3	6.02	27.06	100	316	P	V
	*	5310	91.66	-	-	80.4	32.3	6.02	27.06	100	316	A	V
	5350.32	57.66	-16.34	74	46.32	32.31	6.01	26.98	100	316	P	V	
	5351.04	49.15	-4.85	54	37.81	32.31	6.01	26.98	100	316	A	V	
Remark	1. No other spurious found. 2. All results are PASS against Peak and Average limit line.												



Band 2 5250~5350MHz
WIFI 802.11n HT40 (Harmonic @ 3m)

WIFI Ant. 1	Note	Frequency (MHz)	Level (dBμV/m)	Over Limit (dB)	Limit Line (dBμV/m)	Read Level (dBμV)	Antenna Factor (dB/m)	Cable Loss (dB)	Preamp Factor (dB)	Ant Pos (cm)	Table Pos (deg)	Peak Avg. (P/A)	Pol. (H/V)
802.11n HT40 CH 54 5270MHz		10540	47.55	-26.45	74	55.79	38.4	9.28	55.92	189	86	P	H
		15810	48.15	-25.85	74	54.05	38.03	12.25	56.18	186	39	P	H
		10540	47.37	-26.63	74	55.61	38.4	9.28	55.92	150	220	P	V
		15810	47.9	-26.1	74	53.8	38.03	12.25	56.18	168	345	P	V
802.11n HT40 CH 62 5310MHz		10620	47.26	-26.74	74	55.43	38.48	9.3	55.95	180	220	P	H
		15930	48.11	-25.89	74	54.04	37.63	12.38	55.94	160	169	P	H
		10620	48.22	-25.78	74	56.39	38.48	9.3	55.95	150	220	P	V
		15930	47.44	-26.56	74	53.37	37.63	12.38	55.94	160	100	P	V
Remark	1. No other spurious found. 2. All results are PASS against Peak and Average limit line.												



Band 3 - 5470~5725MHz
WIFI 802.11a (Band Edge @ 3m)

Table with 14 columns: WIFI, Note, Frequency, Level, Over, Limit, Read, Antenna, Cable, Preamp, Ant, Table, Peak, Pol. It contains two main sections of data for channels 100 and 116.



802.11a CH 140 5700MHz	*	5700	101.44	-	-	89.65	32.45	6.22	26.88	117	131	P	H
	*	5700	94.23	-	-	82.44	32.45	6.22	26.88	117	131	A	H
		5725.96	56.63	-17.37	74	44.82	32.48	6.22	26.89	117	131	P	H
		5725.08	46.72	-7.28	54	34.91	32.48	6.22	26.89	117	131	A	H
	*	5700	105.35	-	-	93.56	32.45	6.22	26.88	100	311	P	V
	*	5700	98.18	-	-	86.39	32.45	6.22	26.88	100	311	A	V
		5726.76	63.96	-10.04	74	52.15	32.48	6.22	26.89	100	311	P	V
		5725	50.24	-3.76	54	38.43	32.48	6.22	26.89	100	311	A	V
Remark	<ol style="list-style-type: none"> No other spurious found. All results are PASS against Peak and Average limit line. 												



Band 3 - 5470~5725MHz
WIFI 802.11a (Harmonic @ 3m)

Table with 14 columns: WIFI Ant. 1, Note, Frequency (MHz), Level (dBµV/m), Over Limit (dB), Limit Line (dBµV/m), Read Level (dBµV), Antenna Factor (dB/m), Cable Loss (dB), Preamp Factor (dB), Ant Pos (cm), Table Pos (deg), Peak Avg. (P/A), Pol. (H/V). Rows include channels 100, 116, and 140 with their respective frequency and measurement data.

Remark

- 1. No other spurious found.
2. All results are PASS against Peak and Average limit line.



Band 3 - 5470~5725MHz
WIFI 802.11n HT20 (Band Edge @ 3m)

WIFI Ant. 1	Note	Frequency (MHz)	Level (dBμV/m)	Over Limit (dB)	Limit Line (dBμV/m)	Read Level (dBμV)	Antenna Factor (dB/m)	Cable Loss (dB)	Preamp Factor (dB)	Ant Pos (cm)	Table Pos (deg)	Peak Avg. (P/A)	Pol. (H/V)
802.11n HT20 CH 100 5500MHz		5447.6	55.03	-18.97	74	43.5	32.34	6.06	26.87	100	299	P	H
		5448.4	46.17	-7.83	54	34.64	32.34	6.06	26.87	100	299	A	H
	*	5500	101.88	-	-	90.21	32.36	6.11	26.8	100	299	P	H
	*	5500	95.47	-	-	83.8	32.36	6.11	26.8	100	299	A	H
		5467.76	55	-19	74	43.38	32.35	6.11	26.84	100	334	P	V
		5448.08	46.31	-7.69	54	34.78	32.34	6.06	26.87	100	334	A	V
	*	5500	102.78	-	-	91.11	32.36	6.11	26.8	100	334	P	V
	*	5500	95.94	-	-	84.27	32.36	6.11	26.8	100	334	A	V
802.11n HT20 CH 116 5580MHz		5422.72	51.65	-22.35	74	40.22	32.33	6.01	26.91	100	299	P	H
		5442.88	43.59	-10.41	54	32.06	32.34	6.06	26.87	100	299	A	H
	*	5580	102.78	-	-	91.02	32.38	6.22	26.84	100	299	P	H
	*	5580	95.96	-	-	84.2	32.38	6.22	26.84	100	299	A	H
		5727.83	50.57	-23.43	74	38.76	32.48	6.22	26.89	100	299	P	H
		5738.54	43.03	-10.97	54	31.24	32.49	6.2	26.9	100	299	A	H
		5411.2	52.09	-21.91	74	40.67	32.32	6.01	26.91	100	334	P	V
		5440.72	43.92	-10.08	54	32.39	32.34	6.06	26.87	100	334	A	V
	*	5580	103.54	-	-	91.78	32.38	6.22	26.84	100	334	P	V
	*	5580	96.51	-	-	84.75	32.38	6.22	26.84	100	334	A	V
		5753.345	51.31	-22.69	74	39.5	32.51	6.2	26.9	100	334	P	V
	5726.885	43.03	-10.97	54	31.22	32.48	6.22	26.89	100	334	A	V	



802.11n HT20 CH 140 5700MHz	*	5700	102.91	-	-	91.12	32.45	6.22	26.88	100	298	P	H
	*	5700	95.84	-	-	84.05	32.45	6.22	26.88	100	298	A	H
		5725.16	63.89	-10.11	74	52.08	32.48	6.22	26.89	100	298	P	H
		5725	50.35	-3.65	54	38.54	32.48	6.22	26.89	100	298	A	H
	*	5700	102.47	-	-	90.68	32.45	6.22	26.88	100	311	P	V
	*	5700	95.28	-	-	83.49	32.45	6.22	26.88	100	311	A	V
		5725.4	62.43	-11.57	74	50.62	32.48	6.22	26.89	100	311	P	V
		5725	50.34	-3.66	54	38.53	32.48	6.22	26.89	100	311	A	V
Remark	<ol style="list-style-type: none"> No other spurious found. All results are PASS against Peak and Average limit line. 												



Band 3 - 5470~5725MHz
WIFI 802.11n HT20 (Harmonic @ 3m)

WIFI Ant. 1	Note	Frequency (MHz)	Level (dBμV/m)	Over Limit (dB)	Limit Line (dBμV/m)	Read Level (dBμV)	Antenna Factor (dB/m)	Cable Loss (dB)	Preamp Factor (dB)	Ant Pos (cm)	Table Pos (deg)	Peak Avg. (P/A)	Pol. (H/V)
802.11n HT20		11000	47.86	-26.14	74	55.75	38.83	9.38	56.1	185	230	P	H
		16500	49.45	-24.55	74	52.61	39.48	13.41	56.05	178	291	P	H
CH 100 5500MHz		11000	48.62	-25.38	74	56.51	38.83	9.38	56.1	163	230	P	V
		16500	49.14	-24.86	74	52.3	39.48	13.41	56.05	178	296	P	V
802.11n HT20		11160	47.31	-26.69	74	54.74	38.99	9.43	55.85	141	200	P	H
		16740	50.59	-23.41	74	52.35	40.46	13.95	56.17	156	354	P	H
CH 116 5580MHz		11160	47.76	-26.24	74	55.19	38.99	9.43	55.85	170	200	P	V
		16740	50.73	-23.27	74	52.49	40.46	13.95	56.17	156	350	P	V
802.11n HT20		11400	48.61	-25.39	74	55.41	39.21	9.48	55.49	152	285	P	H
		17100	50.97	-23.03	74	50.53	42.16	14.66	56.38	165	298	P	H
CH 140 5700MHz		11400	48.9	-25.1	74	55.7	39.21	9.48	55.49	157	285	P	V
		17100	50.63	-23.37	74	50.19	42.16	14.66	56.38	165	246	P	V
Remark	1. No other spurious found. 2. All results are PASS against Peak and Average limit line.												



Band 3 - 5470~5725MHz
WIFI 802.11n HT40 (Band Edge @ 3m)

WIFI Ant. 1	Note	Frequency (MHz)	Level (dBμV/m)	Over Limit (dB)	Limit Line (dBμV/m)	Read Level (dBμV)	Antenna Factor (dB/m)	Cable Loss (dB)	Preamp Factor (dB)	Ant Pos (cm)	Table Pos (deg)	Peak Avg. (P/A)	Pol. (H/V)
802.11n HT40 CH 102 5510MHz		5462.32	53.02	-20.98	74	41.46	32.34	6.06	26.84	132	297	P	H
		5469.52	45.71	-8.29	54	34.09	32.35	6.11	26.84	132	297	A	H
	*	5510	97.05	-	-	85.33	32.36	6.17	26.81	132	297	P	H
	*	5510	90.51	-	-	78.79	32.36	6.17	26.81	132	297	A	H
		5762.165	51.75	-22.25	74	39.95	32.51	6.2	26.91	132	297	P	H
		5755.865	43.3	-10.7	54	31.5	32.51	6.2	26.91	132	297	A	H
		5468.56	55.75	-18.25	74	44.13	32.35	6.11	26.84	100	322	P	V
		5469.76	47.35	-6.65	54	35.73	32.35	6.11	26.84	100	322	A	V
	*	5510	99.19	-	-	87.47	32.36	6.17	26.81	100	322	P	V
	*	5510	92.16	-	-	80.44	32.36	6.17	26.81	100	322	A	V
		5744.21	52.61	-21.39	74	40.82	32.49	6.2	26.9	100	322	P	V
		5735.705	43.34	-10.66	54	31.53	32.49	6.22	26.9	100	322	A	V
802.11n HT40 CH 134 5670MHz		5466.55	52.17	-21.83	74	40.55	32.35	6.11	26.84	119	297	P	H
		5466.9	43.75	-10.25	54	32.13	32.35	6.11	26.84	119	297	A	H
	*	5670	99.14	-	-	87.35	32.43	6.23	26.87	119	297	P	H
	*	5670	92.25	-	-	80.46	32.43	6.23	26.87	119	297	A	H
		5725.45	50.88	-23.12	74	39.07	32.48	6.22	26.89	119	297	P	H
		5727.725	43.81	-10.19	54	32	32.48	6.22	26.89	119	297	A	H
		5429.45	52.62	-21.38	74	41.09	32.34	6.06	26.87	100	321	P	V
		5470	43.59	-10.41	54	31.97	32.35	6.11	26.84	100	321	A	V
	*	5670	99.33	-	-	87.54	32.43	6.23	26.87	100	321	P	V
	*	5670	93.38	-	-	81.59	32.43	6.23	26.87	100	321	A	V
	5727.375	54.12	-19.88	74	42.31	32.48	6.22	26.89	100	321	P	V	
	5727.725	43.58	-10.42	54	31.77	32.48	6.22	26.89	100	321	A	V	
Remark	1. No other spurious found. 2. All results are PASS against Peak and Average limit line.												



Band 3 - 5470~5725MHz
WIFI 802.11n HT40 (Harmonic @ 3m)

Table with 14 columns: WIFI Ant. 1, Note, Frequency (MHz), Level (dBµV/m), Over Limit (dB), Limit Line (dBµV/m), Read Level (dBµV), Antenna Factor (dB/m), Cable Loss (dB), Preamp Factor (dB), Ant Pos (cm), Table Pos (deg), Peak Avg. (P/A), Pol. (H/V). Rows include data for 802.11n HT40 CH 102 (5510MHz) and 802.11n HT40 CH 134 (5670MHz).



Emission below 1GHz
WIFI 802.11n HT20 (LF @ 3m)

WIFI	Note	Frequency	Level	Over	Limit	Read	Antenna	Cable	Preamp	Ant	Table	Peak	Pol.
Ant.				Limit	Line	Level	Factor	Loss	Factor	Pos	Pos	Avg.	
1		(MHz)	(dBμV/m)	(dB)	(dBμV/m)	(dBμV)	(dB/m)	(dB)	(dB)	(cm)	(deg)	(P/A)	(H/V)
802.11n HT20 LF		30	23.28	-16.72	40	30.1	24.9	0.25	31.97	-	-	P	H
		256.01	19.8	-26.2	46	29.46	19.85	1.73	31.24	-	-	P	H
		345.25	23.44	-22.56	46	32.03	20.54	2.08	31.21	-	-	P	H
		632.37	28.22	-17.78	46	30.59	26.09	2.78	31.24	-	-	P	H
		770.11	30.22	-15.78	46	30.37	27.96	3.08	31.19	-	-	P	H
		889.42	32.14	-13.86	46	30.74	29.21	3.36	31.17	100	71	P	H
		30	22.64	-17.36	40	29.46	24.9	0.25	31.97	-	-	P	V
		39.7	22.36	-17.64	40	33.74	20.2	0.4	31.98	-	-	P	V
		264.74	20.77	-25.23	46	30.18	20.07	1.75	31.23	-	-	P	V
		520.82	27.25	-18.75	46	31.64	24.37	2.48	31.24	-	-	P	V
		705.12	28.62	-17.38	46	30.15	26.79	2.94	31.26	-	-	P	V
		913.67	31.93	-14.07	46	30.27	29.46	3.41	31.21	100	337	P	V
Remark	1. No other spurious found. 2. All results are PASS against limit line.												



Note symbol

*	Fundamental Frequency which can be ignored. However, the level of any unwanted emissions shall not exceed the level of the fundamental frequency.
!	Test result is over limit line.
P/A	Peak or Average
H/V	Horizontal or Vertical



A calculation example for radiated spurious emission is shown as below:

WIFI	Note	Frequency	Level	Over	Limit	Read	Antenna	Cable	Preamp	Ant	Table	Peak	Pol.
Ant.				Limit	Line	Level	Factor	Loss	Factor	Pos	Pos	Avg.	
2		(MHz)	(dBμV/m)	(dB)	(dBμV/m)	(dBμV)	(dB/m)	(dB)	(dB)	(cm)	(deg)	(P/A)	(H/V)
802.11b		2390	55.45	-18.55	74	54.51	32.22	4.58	35.86	103	308	P	H
CH 01													
2412MHz		2390	43.54	-10.46	54	42.6	32.22	4.58	35.86	103	308	A	H

- Level(dBμV/m) =
Antenna Factor(dB/m) + Cable Loss(dB) + Read Level(dBμV) - Preamp Factor(dB)
- Over Limit(dB) = Level(dBμV/m) – Limit Line(dBμV/m)

For Peak Limit @ 2390MHz:

- Level(dBμV/m)
= Antenna Factor(dB/m) + Cable Loss(dB) + Read Level(dBμV) - Preamp Factor(dB)
= 32.22(dB/m) + 4.58(dB) + 54.51(dBμV) – 35.86 (dB)
= 55.45 (dBμV/m)
- Over Limit(dB)
= Level(dBμV/m) – Limit Line(dBμV/m)
= 55.45(dBμV/m) – 74(dBμV/m)
= -18.55(dB)

For Average Limit @ 2390MHz:

- Level(dBμV/m)
= Antenna Factor(dB/m) + Cable Loss(dB) + Read Level(dBμV) - Preamp Factor(dB)
= 32.22(dB/m) + 4.58(dB) + 42.6(dBμV) – 35.86 (dB)
= 43.54 (dBμV/m)
- Over Limit(dB)
= Level(dBμV/m) – Limit Line(dBμV/m)
= 43.54(dBμV/m) – 54(dBμV/m)
= -10.46(dB)

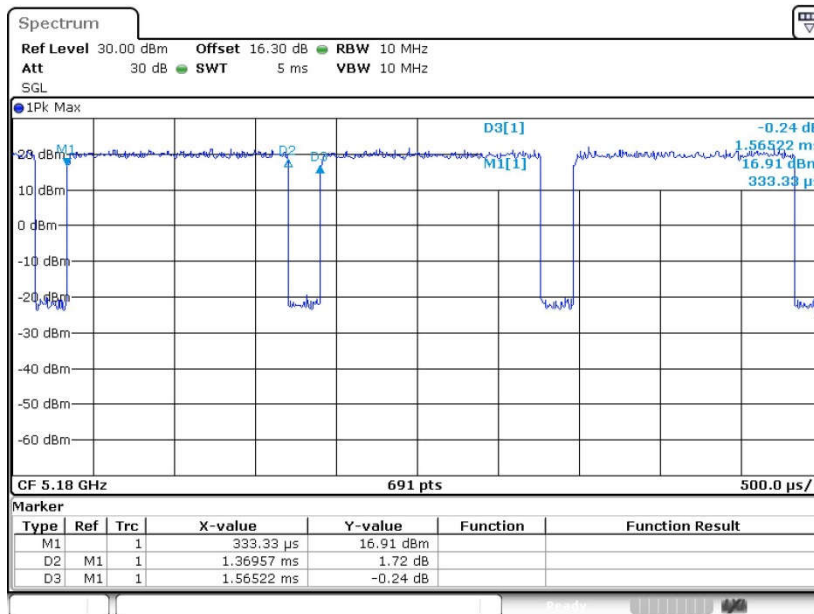
Both peak and average measured complies with the limit line, so test result is “PASS”.



Appendix C. Duty Cycle Plots

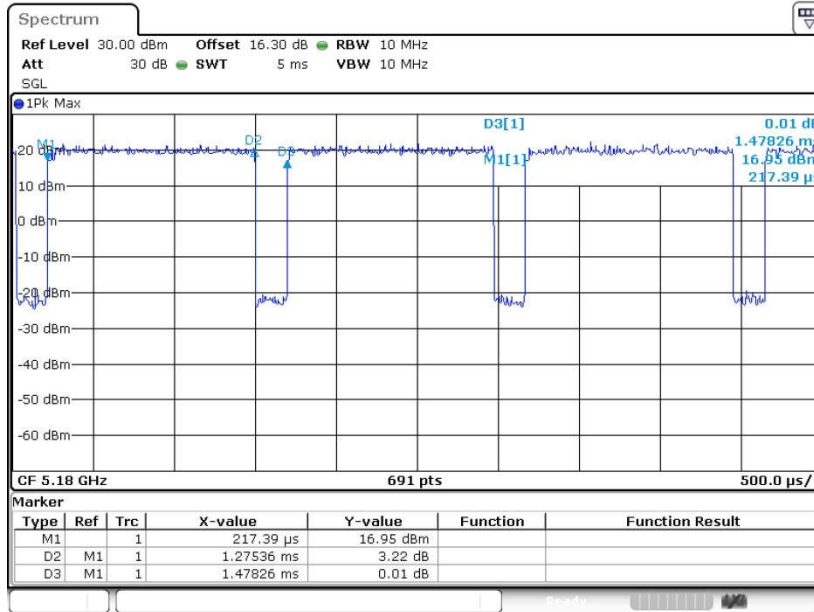
Band	Duty Cycle(%)	T(ms)	1/T(kHz)	VBW Setting
802.11a	87.50	1.370	0.730	1KHz
802.11n HT20	86.27	1.275	0.784	1KHz
802.11n HT40	76.22	0.636	1.572	3KHz

802.11a

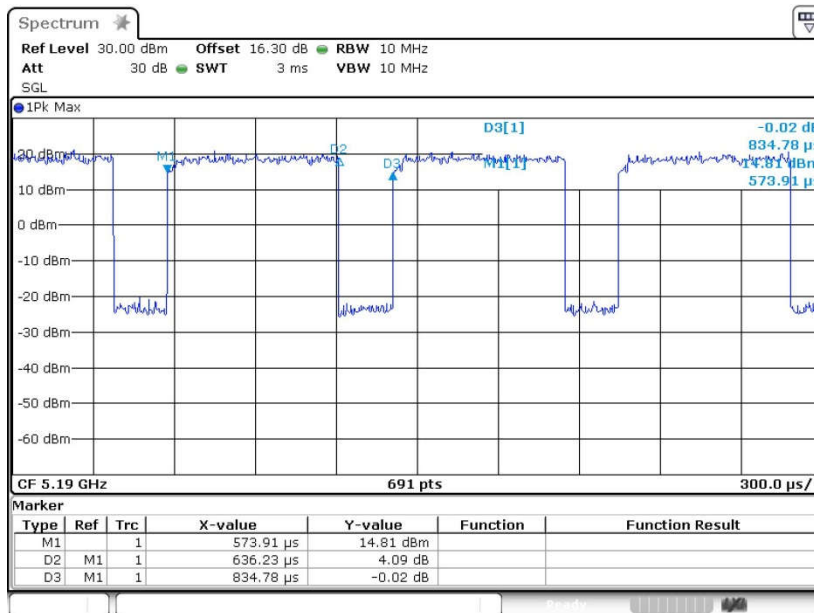




802.11n HT20



802.11n HT40





Appendix E. Reference Report

Please refer to Sporton report number FR7D1310D which is issued separately.