



FCC RF Test Report

APPLICANT : Motorola Mobility LLC
EQUIPMENT : Mobile Cellular Phone
BRAND NAME : Motorola
MODEL NAME : XT1926-5
FCC ID : IHDT56WL3
STANDARD : FCC 47 CFR Part 2, 22(H), 24(E)
CLASSIFICATION : PCS Licensed Transmitter Held to Ear (PCE)

The product was received on Dec. 28, 2017 and testing was completed on Mar. 06, 2018. We, Sporton International (Kunshan) Inc., would like to declare that the tested sample has been evaluated in accordance with the test procedures given in ANSI/TIA-603-E and has been in compliance with the applicable technical standards.

This report contains data that were produced under subcontract by Laboratory SPORTON INTERNATIONAL INC.

The test results in this report apply exclusively to the tested model / sample. Without written approval of Sporton International (Kunshan) Inc., the test report shall not be reproduced except in full.



Approved by: James Huang / Manager

Sporton International (Kunshan) Inc.

No.3-2 Ping-Xiang Rd, Kunshan Development Zone Kunshan City Jiangsu Province 215335 China



TABLE OF CONTENTS

- 1 GENERAL DESCRIPTION 5**
 - 1.1 Applicant..... 5
 - 1.2 Manufacturer 5
 - 1.3 Product Feature of Equipment Under Test 5
 - 1.4 Product Specification of Equipment Under Test 6
 - 1.5 Modification of EUT 6
 - 1.6 Re-use of Measured Data 7
 - 1.7 Specification of Accessory 8
 - 1.8 Maximum ERP/EIRP Power, Frequency Tolerance, and Emission Designator 9
 - 1.9 Testing Location 10
 - 1.10 Applicable Standards 11
- 2 TEST CONFIGURATION OF EQUIPMENT UNDER TEST 12**
 - 2.1 Test Mode..... 12
 - 2.2 Connection Diagram of Test System 13
 - 2.3 Support Unit used in test configuration 13
- 3 CONDUCTED TEST RESULT..... 14**
 - 3.1 Measuring Instruments..... 14
 - 3.2 Test Setup 14
 - 3.3 Test Result of Conducted Test..... 14
 - 3.4 Conducted Output Power and ERP/EIRP 15
 - 3.5 Peak-to-Average Ratio 16
 - 3.6 99% Occupied Bandwidth and 26dB Bandwidth Measurement..... 17
 - 3.7 Conducted Band Edge 18
 - 3.8 Conducted Spurious Emission 19
 - 3.9 Frequency Stability..... 20
- 4 RADIATED TEST ITEMS 21**
 - 4.1 Measuring Instruments..... 21
 - 4.2 Test Setup 21
 - 4.3 Test Result of Radiated Test..... 21
 - 4.4 Field Strength of Spurious Radiation Measurement 22
- 5 LIST OF MEASURING EQUIPMENT 23**
- 6 UNCERTAINTY OF EVALUATION 24**
- APPENDIX A. TEST RESULTS OF CONDUCTED TEST**
- APPENDIX B. TEST RESULTS OF RADIATED TEST**
- APPENDIX C. TEST SETUP PHOTOGRAPHS**
- APPENDIX D. REFERENCE REPORT**



REVISION HISTORY

REPORT NO.	VERSION	DESCRIPTION	ISSUED DATE
FG7D2702-05A	Rev. 01	Initial issue of report	Mar. 12, 2018



SUMMARY OF TEST RESULT

Report Section	FCC Rule	Description	Limit	Result	Remark
3.4	§2.1046	Conducted Output Power	Reporting Only	PASS	-
	§22.913(a)(2)	Effective Radiated Power	< 7 Watts	PASS	-
	§24.232(c)	Equivalent Isotropic Radiated Power	< 2 Watts	PASS	-
3.5	N/A	Peak-to-Average Ratio	< 13 dB	PASS	-
3.6	§2.1049 §22.917(b)	Occupied Bandwidth	Reporting Only	PASS	-
3.7	§2.1051 §22.917(a)	Band Edge Measurement	< 43+10log10(P[Watts])	PASS	-
3.8	§2.1051 §22.917(a)	Conducted Emission	< 43+10log10(P[Watts])	PASS	-
3.9	§2.1055 §22.355	Frequency Stability for Temperature & Voltage	< 2.5 ppm for Part 22H	PASS	-
4.4	§2.1053 §22.917(a) §24.238(a)	Field Strength of Spurious Radiation	< 43+10log10(P[Watts])	PASS	Under limit 17.10 dB at 2544.000 MHz



1 General Description

1.1 Applicant

Motorola Mobility LLC
222 W,Merchandise Mart Plaza, Chicago IL 60654 USA

1.2 Manufacturer

Motorola Mobility LLC
222 W,Merchandise Mart Plaza, Chicago IL 60654 USA

1.3 Product Feature of Equipment Under Test

Product Feature	
Equipment	Mobile Cellular Phone
Brand Name	Motorola
Model Name	XT1926-5
FCC ID	IHDT56WL3
EUT supports Radios application	GSM/GPRS/EGPRS/WCDMA/HSPA/DC-HSDPA/ HSPA+(16QAM uplink is not supported)/LTE/NFC WLAN 2.4GHz 802.11b/g/n HT20 WLAN 5GHz 802.11a/n HT20/HT40 WLAN 5GHz 802.11ac VHT20/VHT40/VHT80 Bluetooth v3.0+EDR/ Bluetooth v4.0 LE/ Bluetooth v4.1 LE/ Bluetooth v4.2 LE/ Bluetooth v5.0 LE
IMEI Code	Conducted: 351855090019391/351855090019409 Radiation: 351855090018310/351855090018328
HW Version	DVT1B
SW Version	evert_n-userdebug 8.0.0 OPW27.88 1825 intcfg,test-keys
EUT Stage	Identical Prototype

Remark: The above EUT's information was declared by manufacturer. Please refer to the specifications or user's manual for more detailed description.

1.4 Product Specification of Equipment Under Test

Standards-related Product Specification	
Tx Frequency	GSM/GPRS/EDGE: 850: 824.2 MHz ~ 848.8 MHz 1900: 1850.2 MHz ~ 1909.8MHz WCDMA: Band V: 826.4 MHz ~ 846.6 MHz Band II: 1852.4 MHz ~ 1907.6 MHz
Rx Frequency	GSM/GPRS/EDGE: 850: 869.2 MHz ~ 893.8 MHz 1900: 1930.2 MHz ~ 1989.8 MHz WCDMA: Band V: 871.4 MHz ~ 891.6 MHz Band II: 1932.4 MHz ~ 1987.6 MHz
Maximum Output Power to Antenna	GSM/GPRS/EDGE: 850: 33.08 dBm 1900: 29.55 dBm WCDMA: Band V: 23.35 dBm Band II: 22.83 dBm
Antenna Type	PIFA Antenna
Antenna Gain	Cellular Band: -3.3 dBi PCS Band: -0.6 dBi
Type of Modulation	GSM: GMSK GPRS: GMSK EDGE: GMSK / 8PSK WCDMA : BPSK (Uplink) HSDPA/DC-HSDPA : QPSK (Uplink) HSUPA : QPSK (Uplink) HSPA+ : 16QAM (Uplink is not supported) DC-HSDPA : 64QAM

1.5 Modification of EUT

No modifications are made to the EUT during all test items.



1.6 Re-use of Measured Data

1.6.1 Introduction Section

This application re-uses data collected on a similar device. The subject device of this application (Model: XT1926-5, FCC ID: IHDT56WL3) is electrically identical to the reference device (Model: XT1926-6, XT1926-7, FCC ID: IHDT56WL4) for the portions of the circuitry corresponding to the data being re-used, as treated by KDB Publication 178919 D01.

1.6.2 Difference Section

For details concerning the similarity with respect to component placement, mechanical/electrical design etc., please refer to the Product Equality Declaration.

The re-used RF data includes the following bands provided in Appendix D (Sporton RF Report No. FG7D2702A for the reference device Model: XT1926-6, XT1926-7, FCC ID: IHDT56WL4):

1.6.3 Spot Check Verification Data Section

In order to confirm hardware similarity of the subject device with the reference device, spot check measurements were performed on the subject device for conducted spurious emission and conducted-bandedge , the test result were consistent with FCC ID: IHDT56WL4 and radiation spurious emission /ERP/EIRP to full test and WCDMA Band V to full re-test.

Assertions concerning the similarity of these devices are based on representations by the applicant. The applicant accepts full responsibility for the validity of the similarity claim, and for the determination that verification test data are sufficient to support it.

1.6.4 Reference detail Section:

Equipment Class	Reference FCC ID	Folder Test	Report Title/Section
PCE (2G/3G)	IHDT56WL4	Part22H.24E.27L (FG7D2702A)	All Conducted Items(except WCDMA Band V) sections applicable
PCE (LTE)	IHDT56WL4	Part22H.24E.27L.27M. 27H (FG7D2702B)	All Conducted Items sections applicable for LTE Band 2

1.7 Specification of Accessory

Specification of Accessory			
AC Adapter 1(US)	Brand Name	Motorola (Salom)	Model Name SC-22
	Power Rating	I/P: 100-240 Vac, 500mA, O/P: 5Vdc,3000mA or 9Vdc,1600mA or 12Vdc,1200mA	
AC Adapter 1(EU)	Brand Name	Motorola (Salom)	Model Name SC-23
	Power Rating	I/P: 100-240 Vac, 500mA, O/P: 5Vdc,3000mA or 9Vdc,1600mA or 12Vdc,1200mA	
AC Adapter 1(UK)	Brand Name	Motorola (Salom)	Model Name SC-24
	Power Rating	I/P: 100-240 Vac, 500mA, O/P: 5Vdc,3000mA or 9Vdc,1600mA or 12Vdc,1200mA	
AC Adapter 1(IN)	Brand Name	Motorola (Salom)	Model Name SC-25
	Power Rating	I/P: 100-240 Vac, 500mA, O/P: 5Vdc,3000mA or 9Vdc,1600mA or 12Vdc,1200mA	
AC Adapter 1(AU)	Brand Name	Motorola (Salom)	Model Name SC-26
	Power Rating	I/P: 100-240 Vac, 500mA, O/P: 5Vdc,3000mA or 9Vdc,1600mA or 12Vdc,1200mA	
AC Adapter 1 (Indonesia)	Brand Name	Motorola (Salom)	Model Name SC-23
	Power Rating	I/P: 100-240 Vac, 500mA, O/P: 5Vdc,3000mA or 9Vdc,1600mA or 12Vdc,1200mA	
AC Adapter 2(US)	Brand Name	Motorola (Chenyang)	Model Name SC-22
	Power Rating	I/P: 100-240 Vac, 500mA, O/P: 5Vdc,3000mA or 9Vdc,1600mA or 12Vdc,1200mA	
AC Adapter 2(EU)	Brand Name	Motorola (Chenyang)	Model Name SC-23
	Power Rating	I/P: 100-240 Vac, 500mA, O/P: 5Vdc,3000mA or 9Vdc,1600mA or 12Vdc,1200mA	
AC Adapter 2(UK)	Brand Name	Motorola (Chenyang)	Model Name SC-24
	Power Rating	I/P: 100-240 Vac, 500mA, O/P: 5Vdc,3000mA or 9Vdc,1600mA or 12Vdc,1200mA	
AC Adapter 2(IN)	Brand Name	Motorola (Chenyang)	Model Name SC-25
	Power Rating	I/P: 100-240 Vac, 500mA, O/P: 5Vdc,3000mA or 9Vdc,1600mA or 12Vdc,1200mA	
AC Adapter 2(AU)	Brand Name	Motorola (Chenyang)	Model Name SC-26
	Power Rating	I/P: 100-240 Vac, 500mA, O/P: 5Vdc,3000mA or 9Vdc,1600mA or 12Vdc,1200mA	
Battery	Brand Name	Motorola (ATL)	Model Name JT40
	Power Rating	3.8Vdc,3200mAh	Type Li-ion Polymer
Earphone 1	Brand Name	Motorola (Jiahe)	Model Name LS-118M-12
	Signal Line Type	1.2 meter, non-shielded cable, without ferrite core	
Earphone 2	Brand Name	Motorola (Lianyun)	Model Name TS910A-38AMS01WHR-M
	Signal Line Type	1.2 meter, non-shielded cable, without ferrite core	
USB Cable	Brand Name	Motorola (Liqi)	Model Name L32B-053000100-ALL
	Signal Line Type	1.0 meter, shielded cable, without ferrite core	



1.8 Maximum ERP/EIRP Power, Frequency Tolerance, and Emission Designator

FCC Rule	System	Type of Modulation	Maximum ERP/EIRP (W)	Frequency Tolerance (ppm)	Emission Designator
Part 22H	GSM850 GSM	GMSK	0.5794	-	-
Part 22H	GSM850 EDGE class 8	8PSK	0.1368	-	-
Part 22H	WCDMA Band V RMC 12.2Kbps	BPSK	0.0617	0.0239 ppm	4M14F9W
Part 24E	GSM1900 GSM	GMSK	0.7852	-	-
Part 24E	GSM1900 EDGE class 8	8PSK	0.3105	-	-
Part 24E	WCDMA Band II RMC 12.2Kbps	BPSK	0.1671	-	-



1.9 Testing Location

Sporton International (Kunshan) Inc. is accredited to ISO 17025 by National Voluntary Laboratory Accreditation Program (NVLAP code: 600155-0) and the FCC designation No. is CN5013.

Test Site	Sporton International (Kunshan) Inc.		
Test Site Location	No.3-2 Ping-Xiang Rd, Kunshan Development Zone Kunshan City Jiangsu Province 215335 China TEL : +86-512-57900158 FAX : +86-512-57900958		
Test Site No.	Sporton Site No.	FCC Test Firm Registration No.	
	TH01-KS	630927	

Note: The test site complies with ANSI C63.4 2014 requirement.

SPORTON INTERNATIONAL INC. is accredited to ISO 17025 by Taiwan Accreditation Foundation (TAF code : 1190) and under the FCC-recognized accredited testing laboratories by Mutual Recognition Agreement (MRA) in FCC Test.

Test Site	SPORTON INTERNATIONAL INC.		
Test Site Location	No.58, Aly. 75, Ln. 564 Wenhua 3rd Rd. Guishan Dist. Taoyuan City Taiwan TEL: +886-3-327-3456 FAX: +886-3-328-4978		
Test Site No.	Sporton Site No.	FCC designation No.	FCC Test Firm Registration No.
	03CH12-HY	TW0007	214511

Note:

1. The test site complies with ANSI C63.4 2014 requirement.
2. Test data subcontracted: radiated spurious emissions only in section 4.4 of this report



1.10 Applicable Standards

According to the specifications of the manufacturer, the EUT must comply with the requirements of the following standards:

- ♦ 47 CFR Part 2, 22(H), 24(E)
- ♦ ANSI/TIA-603-E
- ♦ FCC KDB 971168 D01 Power Meas. License Digital Systems v03
- ♦ FCC KDB 412172 D01 Determining ERP and EIRP v01r01

Remark:

1. All test items were verified and recorded according to the standards and without any deviation during the test.
2. This EUT has also been tested and complied with the requirements of FCC Part 15, Subpart B, recorded in a separate test report.



2 Test Configuration of Equipment Under Test

2.1 Test Mode

Antenna port conducted and radiated test items were performed according to KDB 971168 D01 Power Meas. License Digital Systems v03 with maximum output power.

Radiated measurements were performed with rotating EUT in different three orthogonal test planes to find the maximum emission.

Radiated emissions were investigated as following frequency range:

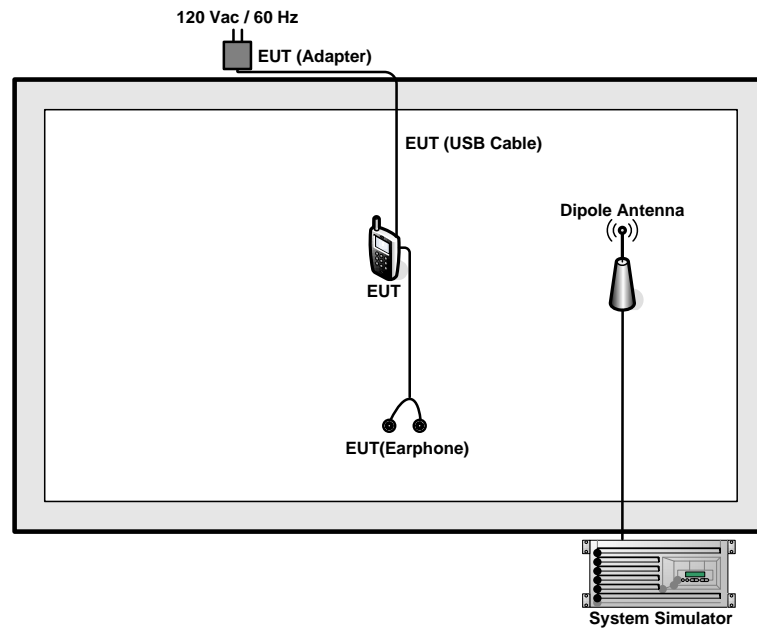
1. 30 MHz to 9000 MHz for GSM850 and WCDMA Band V.
2. 30 MHz to 19100 MHz for GSM1900 and WCDMA Band II.

All modes and data rates and positions were investigated.

Test modes are chosen to be reported as the worst case configuration below:

Test Modes		
Band	Radiated TCs	Conducted TCs
GSM 850	<ul style="list-style-type: none"> ■ GSM Link ■ EDGE class 8 Link 	-
GSM 1900	<ul style="list-style-type: none"> ■ GSM Link ■ EDGE class 8 Link 	-
WCDMA Band V	<ul style="list-style-type: none"> ■ RMC 12.2Kbps Link 	<ul style="list-style-type: none"> ■ RMC 12.2Kbps Link
WCDMA Band II	<ul style="list-style-type: none"> ■ RMC 12.2Kbps Link 	-

2.2 Connection Diagram of Test System



2.3 Support Unit used in test configuration

Item	Equipment	Trade Name	Model No.	FCC ID	Data Cable	Power Cord
1.	System Simulator	Anritsu	MT8820C	N/A	N/A	Unshielded, 1.8m
2.	DC Power Supply	GW	GPS-3030D	N/A	N/A	Unshielded, 1.8 m

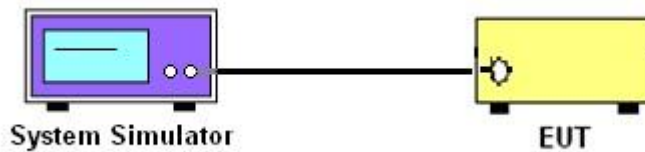
3 Conducted Test Result

3.1 Measuring Instruments

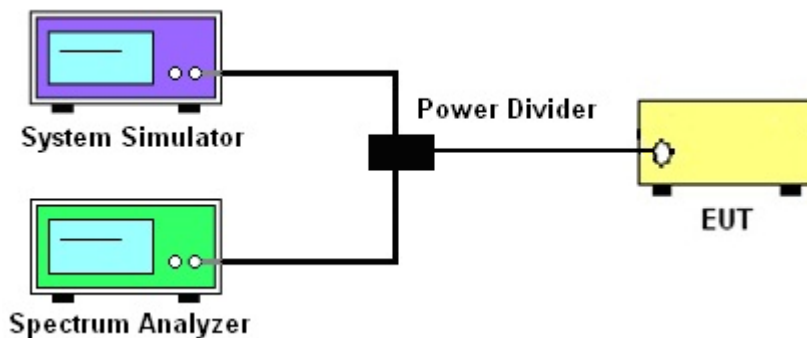
See list of measuring instruments of this test report.

3.2 Test Setup

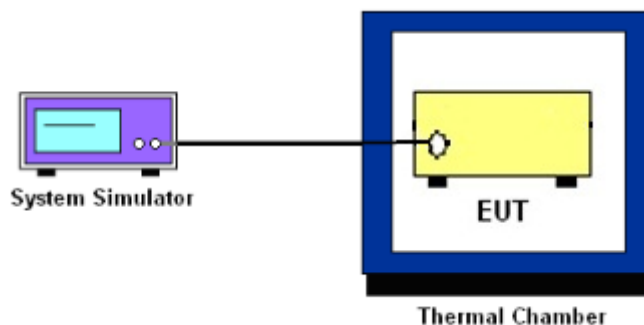
3.2.1 Conducted Output Power



3.2.2 Peak-to-Average Ratio, Occupied Bandwidth, Conducted Band-Edge and Conducted Spurious Emission



3.2.3 Frequency Stability



3.3 Test Result of Conducted Test

Please refer to Appendix A.



3.4 Conducted Output Power and ERP/EIRP

3.4.1 Description of the Conducted Output Power and ERP/EIRP

A system simulator was used to establish communication with the EUT. Its parameters were set to enforce EUT transmitting at the maximum power. The measured power in the radio frequency on the transmitter output terminals shall be reported.

The ERP of mobile transmitters must not exceed 7 Watts for GSM850 and WCDMA Band V.

The EIRP of mobile transmitters must not exceed 2 Watts for GSM1900 and WCDMA Band II.

According to KDB 412172 D01 Power Approach,

$EIRP = P_T + G_T - L_C$, $ERP = EIRP - 2.15$, where

P_T = transmitter output power in dBm

G_T = gain of the transmitting antenna in dBi

L_C = signal attenuation in the connecting cable between the transmitter and antenna in dB

3.4.2 Test Procedures

1. The transmitter output port was connected to the system simulator.
2. Set EUT at maximum power through system simulator.
3. Select lowest, middle, and highest channels for each band and different modulation.
4. Measure the maximum burst average power for GSM and maximum average power for other modulation signal.



3.5 Peak-to-Average Ratio

3.5.1 Description of the PAR Measurement

The peak-to-average ratio (PAR) of the transmission may not exceed 13 dB.

3.5.2 Test Procedures

1. The testing follows FCC KDB 971168 D01 v03 Section 5.7.1.
2. The EUT was connected to spectrum analyzer and system simulator via a power divider.
3. Set EUT to transmit at maximum output power.
4. When the duty cycle is less than 98%, then signal gating will be implemented on the spectrum analyzer by triggering from the system simulator.
5. Set the CCDF (Complementary Cumulative Distribution Function) option of the spectrum analyzer.
Record the maximum PAPR level associated with a probability of 0.1%.



3.6 99% Occupied Bandwidth and 26dB Bandwidth Measurement

3.6.1 Description of 99% Occupied Bandwidth and 26dB Bandwidth Measurement

The occupied bandwidth is the width of a frequency band such that, below the lower and above the upper frequency limits, the mean powers emitted are each equal to a specified percentage 0.5% of the total mean transmitted power.

The 26 dB emission bandwidth is defined as the frequency range between two points, one above and one below the carrier frequency, at which the spectral density of the emission is attenuated 26 dB below the maximum in-band spectral density of the modulated signal. Spectral density (power per unit bandwidth) is to be measured with a detector of resolution bandwidth equal to approximately 1.0% of the emission bandwidth.

3.6.2 Test Procedures

1. The testing follows FCC KDB 971168 v03 Section 4.2.
2. The EUT was connected to spectrum analyzer and system simulator via a power divider.
3. The spectrum analyzer center frequency is set to the nominal EUT channel center frequency. The span range for the spectrum analyzer shall be between two and five times the anticipated OBW.
4. The nominal resolution bandwidth (RBW) shall be in the range of 1 to 5 % of the anticipated OBW, and the VBW shall be at least 3 times the RBW.
5. Set the detection mode to peak, and the trace mode to max hold.
6. Determine the reference value: Set the EUT to transmit a modulated signal. Allow the trace to stabilize. Set the spectrum analyzer marker to the highest level of the displayed trace.
(this is the reference value)
7. Determine the “-26 dB down amplitude” as equal to (Reference Value – X).
8. Place two markers, one at the lowest and the other at the highest frequency of the envelope of the spectral display such that each marker is at or slightly below the “-X dB down amplitude” determined in step 6. If a marker is below this “-X dB down amplitude” value it shall be placed as close as possible to this value. The OBW is the positive frequency difference between the two markers.
9. Use the 99 % power bandwidth function of the spectrum analyzer and report the measured bandwidth.



3.7 Conducted Band Edge

3.7.1 Description of Conducted Band Edge Measurement

The power of any emission outside of the authorized operating frequency ranges must be lower than the transmitter power (P) by a factor of at least $43 + 10 \log (P)$ dB.

3.7.2 Test Procedures

1. The testing follows FCC KDB 971168 D01 v03 Section 6.0.
2. The EUT was connected to the spectrum analyzer and system simulator via a power divider.
3. The RF output of EUT was connected to the spectrum analyzer by an RF cable and attenuator. The path loss was compensated to the results for each measurement.
4. The band edges of low and high channels for the highest RF powers were measured.
5. The RF fundamental frequency should be excluded against the limit line in the operating frequency band.
6. The limit line is derived from $43 + 10\log(P)$ dB below the transmitter power P(Watts)
 $= P(W) - [43 + 10\log(P)]$ (dB)
 $= [30 + 10\log(P)]$ (dBm) - $[43 + 10\log(P)]$ (dB)
 $= -13\text{dBm}$.



3.8 Conducted Spurious Emission

3.8.1 Description of Conducted Spurious Emission Measurement

The power of any emission outside of the authorized operating frequency ranges must be lower than the transmitter power (P) by a factor of at least $43 + 10 \log (P)$ dB.

It is measured by means of a calibrated spectrum analyzer and scanned from 30 MHz up to a frequency including its 10th harmonic.

3.8.2 Test Procedures

1. The testing follows FCC KDB 971168 D01 v03 Section 6.0.
2. The EUT was connected to the spectrum analyzer and system simulator via a power divider.
3. The RF output of EUT was connected to the spectrum analyzer by an RF cable and attenuator. The path loss was compensated to the results for each measurement.
4. The middle channel for the highest RF power within the transmitting frequency was measured.
5. The conducted spurious emission for the whole frequency range was taken.
6. The RF fundamental frequency should be excluded against the limit line in the operating frequency band.
7. The limit line is derived from $43 + 10\log(P)$ dB below the transmitter power P(Watts)
= $P(W) - [43 + 10\log(P)]$ (dB)
= $[30 + 10\log(P)]$ (dBm) - $[43 + 10\log(P)]$ (dB)
= -13dBm.



3.9 Frequency Stability

3.9.1 Description of Frequency Stability Measurement

The frequency stability shall be measured by variation of ambient temperature and variation of primary supply voltage to ensure that the fundamental emission stays within the authorized frequency block. The frequency stability of the transmitter shall be maintained within $\pm 0.00025\%$ ($\pm 2.5\text{ppm}$) of the center frequency.

3.9.2 Test Procedures for Temperature Variation

1. The testing follows FCC KDB 971168 D01 v03 Section 9.0.
2. The EUT was set up in the thermal chamber and connected with the system simulator.
3. With power OFF, the temperature was decreased to -30°C and the EUT was stabilized before testing. Power was applied and the maximum change in frequency was recorded within one minute.
4. With power OFF, the temperature was raised in 10°C steps up to 50°C . The EUT was stabilized at each step for at least half an hour. Power was applied and the maximum frequency change was recorded within one minute.

3.9.3 Test Procedures for Voltage Variation

1. The testing follows FCC KDB 971168 D01 v03 Section 9.0.
2. The EUT was placed in a temperature chamber at $20\pm 5^{\circ}\text{C}$ and connected with the system simulator.
3. The power supply voltage to the EUT was varied from 85% to 115% of the nominal value measured at the input to the EUT.
4. The variation in frequency was measured for the worst case.

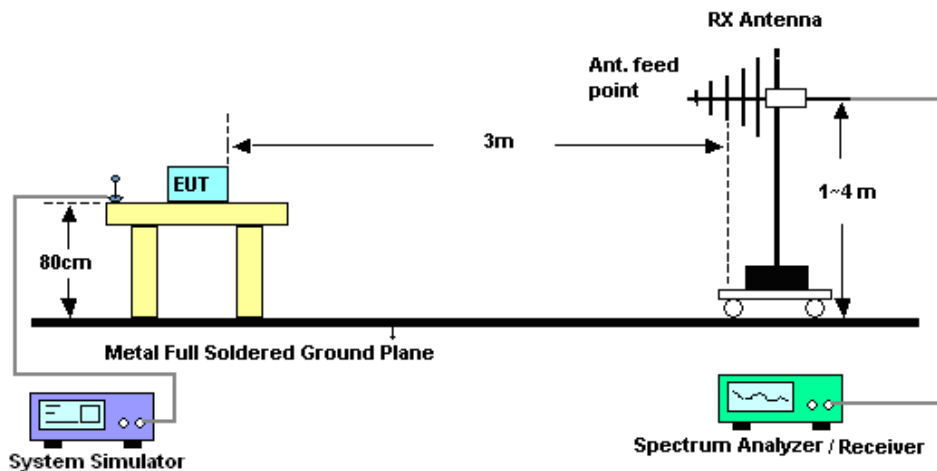
4 Radiated Test Items

4.1 Measuring Instruments

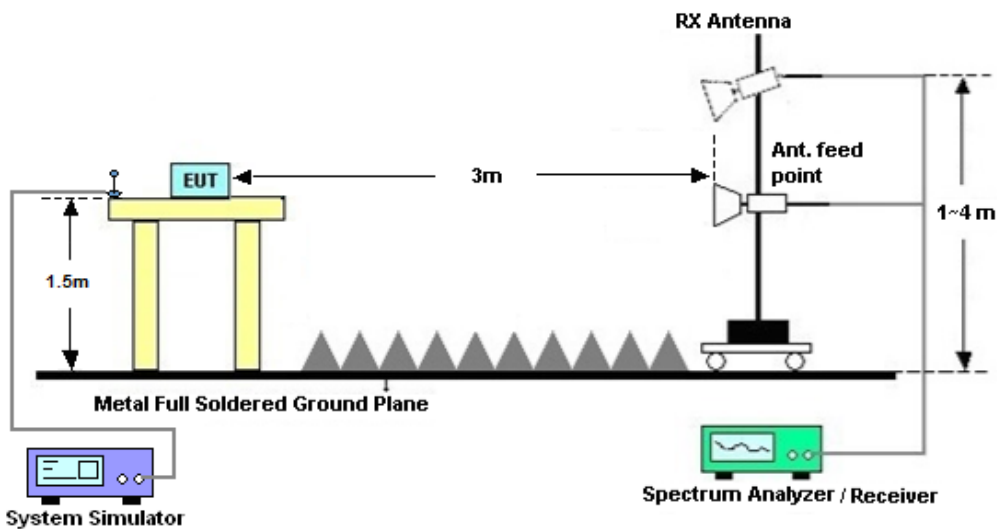
See list of measuring instruments of this test report.

4.2 Test Setup

4.2.1 For radiated test from 30MHz to 1GHz



4.2.2 For radiated test above 1GHz



4.3 Test Result of Radiated Test

Please refer to Appendix B.



4.4 Field Strength of Spurious Radiation Measurement

4.4.1 Description of Field Strength of Spurious Radiated Measurement

The power of any emission outside of the authorized operating frequency ranges must be attenuated below the transmitter power (P) by a factor of at least $43 + 10 \log (P)$ dB. The spectrum is scanned from 30 MHz up to a frequency including its 10th harmonic.

4.4.2 Test Procedures

1. The testing follows FCC KDB 971168 D01 v03 Section 5.8 and ANSI/TIA-603-E Section 2.2.12.
2. The EUT was placed on a rotatable wooden table 0.8 meters for frequency below 1GHz and 1.5 meter for frequency above 1GHz above the ground.
3. The EUT was set 3 meters from the receiving antenna, which was mounted on the antenna tower.
4. The table was rotated 360 degrees to determine the position of the highest spurious emission.
5. The height of the receiving antenna is varied between one meter and four meters to search for the maximum spurious emission for both horizontal and vertical polarizations.
6. Make the measurement with the spectrum analyzer's RBW = 1MHz, VBW = 3MHz, taking record of maximum spurious emission.
7. A horn antenna was substituted in place of the EUT and was driven by a signal generator.
8. Tune the output power of signal generator to the same emission level with EUT maximum spurious emission.
9. Taking the record of output power at antenna port.
10. Repeat step 7 to step 8 for another polarization.
11. $EIRP \text{ (dBm)} = S.G. \text{ Power} - Tx \text{ Cable Loss} + Tx \text{ Antenna Gain}$
12. $ERP \text{ (dBm)} = EIRP - 2.15$
13. The RF fundamental frequency should be excluded against the limit line in the operating frequency band.
14. The limit line is derived from $43 + 10\log(P)$ dB below the transmitter power P(Watts)
 $= P(W) - [43 + 10\log(P)] \text{ (dB)}$
 $= [30 + 10\log(P)] \text{ (dBm)} - [43 + 10\log(P)] \text{ (dB)}$
 $= -13\text{dBm}.$



5 List of Measuring Equipment

Instrument	Manufacturer	Model No.	Serial No.	Characteristics	Calibration Date	Test Date	Due Date	Remark
Spectrum Analyzer	R&S	FSV40	101040	10Hz~40GHz	Aug. 08, 2017	Mar. 06, 2018	Aug. 07, 2018	Conducted (TH01-KS)
Radio communication analyzer	Anritsu	MT8820C	6201300652	2G/3G/LTE_ full band	Aug. 08, 2017	Mar. 06, 2018	Aug. 07, 2018	Conducted (TH01-KS)
Thermal Chamber	Ten Billion	TTC-B3S	TBN-960502	-40~+150°C	Oct.12, 2017	Mar. 06, 2018	Oct. 11, 2018	Conducted (TH01-KS)
Amplifier	MITEQ	TTA1840-35-HG	1871923	18GHz~40GHz, VS WR : 2.5:1 max	Jul. 18, 2017	Feb. 12, 2018~ Feb. 13, 2018	Jul. 17, 2018	Radiation (03CH12-HY)
Bilog Antenna	TESEQ	CBL 6111D&N-6-	35414&AT-N0 602	30MHz~1GHz	Oct. 14, 2017	Feb. 12, 2018~ Feb. 13, 2018	Oct. 13, 2018	Radiation (03CH12-HY)
Horn Antenna	SCHWARZBECK	BBHA 9120D	9120D-1328	1GHz ~ 18GHz	Oct. 20, 2017	Feb. 12, 2018~ Feb. 13, 2018	Oct. 19, 2018	Radiation (03CH12-HY)
Hygrometer	TECPEL	DTM-303B	TP140349	N/A	Oct. 12, 2017	Feb. 12, 2018~ Feb. 13, 2018	Oct. 11, 2018	Radiation (03CH12-HY)
Preamplifier	COM-POWER	PA-103	161075	10MHz~1GHz	Mar. 23, 2017	Feb. 12, 2018~ Feb. 13, 2018	Mar. 22, 2018	Radiation (03CH12-HY)
Preamplifier	Keysight	83017A	MY53270148	1GHz~26.5GHz	Jan. 15, 2018	Feb. 12, 2018~ Feb. 13, 2018	Jan. 14, 2019	Radiation (03CH12-HY)
Controller	EMEC	EM1000	N/A	Control Turn table & Ant Mast	NCR	Feb. 12, 2018~ Feb. 13, 2018	NCR	Radiation (03CH12-HY)
Antenna Mast	EMEC	AM-BS-450 0-B	N/A	1m~4m	NCR	Feb. 12, 2018~ Feb. 13, 2018	NCR	Radiation (03CH12-HY)
Turn Table	EMEC	TT2000	N/A	0~360 Degree	NCR	Feb. 12, 2018~ Feb. 13, 2018	NCR	Radiation (03CH12-HY)
SHF-EHF Horn Antenna	SCHWARZBECK	BBHA 9170	BBHA917057 6	18GHz ~ 40GHz	Apr. 27, 2017	Feb. 12, 2018~ Feb. 13, 2018	Apr. 26, 2018	Radiation (03CH12-HY)
Spectrum Analyzer	Keysight	N9010A	MY55370526	10Hz~44GHz	Mar. 15, 2017	Feb. 12, 2018~ Feb. 13, 2018	Mar. 14, 2018	Radiation (03CH12-HY)

NCR: No Calibration Required



6 Uncertainty of Evaluation

Uncertainty of Radiated Emission Measurement (30 MHz ~ 1000 MHz)

Measuring Uncertainty for a Level of Confidence of 95% ($U = 2Uc(y)$)	3.4dB
---	-------

Uncertainty of Radiated Emission Measurement (1000 MHz ~ 18000 MHz)

Measuring Uncertainty for a Level of Confidence of 95% ($U = 2Uc(y)$)	3.7dB
---	-------

Uncertainty of Radiated Emission Measurement (18000 MHz ~ 40000 MHz)

Measuring Uncertainty for a Level of Confidence of 95% ($U = 2Uc(y)$)	4.0dB
---	-------



Appendix A. Test Results of Conducted Test

Conducted Output Power(Average power)

Conducted Power (*Unit: dBm)						
Band	GSM850			GSM1900		
Channel	128	189	251	512	661	810
Frequency	824.2	836.4	848.8	1850.2	1880.0	1909.8
GSM	33.07	33.08	33.05	29.55	29.38	29.25
GPRS class 8	33.03	33.07	33.04	29.54	29.37	29.24
GPRS class 10	30.90	31.12	31.01	28.38	28.04	27.78
GPRS class 11	29.30	29.44	29.41	26.95	26.71	26.45
GPRS class 12	28.11	28.43	28.40	25.72	25.57	25.30
EGPRS class 8	26.60	26.70	26.81	25.45	25.52	25.45
EGPRS class 10	25.96	26.00	26.20	23.84	23.89	23.85
EGPRS class 11	23.84	23.93	24.09	22.72	22.77	22.74
EGPRS class 12	22.70	22.70	22.97	21.58	21.66	21.58

Conducted Power (*Unit: dBm)						
Band	WCDMA Band V			WCDMA Band II		
Channel	4132	4182	4233	9262	9400	9538
Frequency	826.4	836.4	846.6	1852.4	1880	1907.6
AMR 12.2K	23.09	23.20	23.34	22.82	22.75	22.71
RMC 12.2K	23.10	23.25	23.35	22.83	22.78	22.73
HSDPA Subtest-1	22.25	22.30	22.39	21.98	21.89	21.79
HSDPA Subtest-2	22.20	22.28	22.40	22.03	21.95	21.83
HSDPA Subtest-3	21.76	21.80	21.90	21.53	21.42	21.38
HSDPA Subtest-4	21.73	21.79	21.88	21.54	21.48	21.39
DC-HSDPA Subtest-1	22.12	22.24	22.35	21.94	21.85	21.73
DC-HSDPA Subtest-2	22.15	22.30	22.34	21.96	21.87	21.77
DC-HSDPA Subtest-3	21.64	21.78	21.84	21.47	21.37	21.28
DC-HSDPA Subtest-4	21.57	21.72	21.80	21.40	21.32	21.24
HSUPA Subtest-1	22.20	22.28	22.35	21.88	21.80	21.70
HSUPA Subtest-2	20.16	20.26	20.36	19.82	19.77	19.70
HSUPA Subtest-3	21.08	21.19	21.31	20.90	20.81	20.80
HSUPA Subtest-4	20.15	20.24	20.36	19.80	19.73	19.65
HSUPA Subtest-5	22.15	22.30	22.45	21.91	21.77	21.70



ERP/EIRP

GSM850 (G_T - L_C= -3.30dBi)			
Channel	128	189	251
	(Low)	(Mid)	(High)
Frequency	824.2	836.4	848.8
(MHz)			
Conducted Power (dBm)	33.07	33.08	33.05
Conducted Power (Watts)	2.0277	2.0324	2.0184
ERP(dBm)	27.62	27.63	27.60
ERP(Watts)	0.5781	0.5794	0.5754

EDGE850 (G_T - L_C= -3.30dBi)			
Channel	128	189	251
	(Low)	(Mid)	(High)
Frequency	824.2	836.4	848.8
(MHz)			
Conducted Power (dBm)	26.60	26.70	26.81
Conducted Power (Watts)	0.4571	0.4677	0.4797
ERP(dBm)	21.15	21.25	21.36
ERP(Watts)	0.1303	0.1334	0.1368



GSM1900 (G _T - L _C = -0.60dBi)			
Channel	512	661	810
	(Low)	(Mid)	(High)
Frequency	1850.2	1880	1909.8
(MHz)			
Conducted Power (dBm)	29.55	29.38	29.25
Conducted Power (Watts)	0.9016	0.8670	0.8414
EIRP(dBm)	28.95	28.78	28.65
EIRP(Watts)	0.7852	0.7551	0.7328

EDGE1900 (G _T - L _C = -0.60dBi)			
Channel	512	661	810
	(Low)	(Mid)	(High)
Frequency	1850.2	1880	1909.8
(MHz)			
Conducted Power (dBm)	25.45	25.52	25.45
Conducted Power (Watts)	0.3508	0.3565	0.3508
EIRP(dBm)	24.85	24.92	24.85
EIRP(Watts)	0.3055	0.3105	0.3055



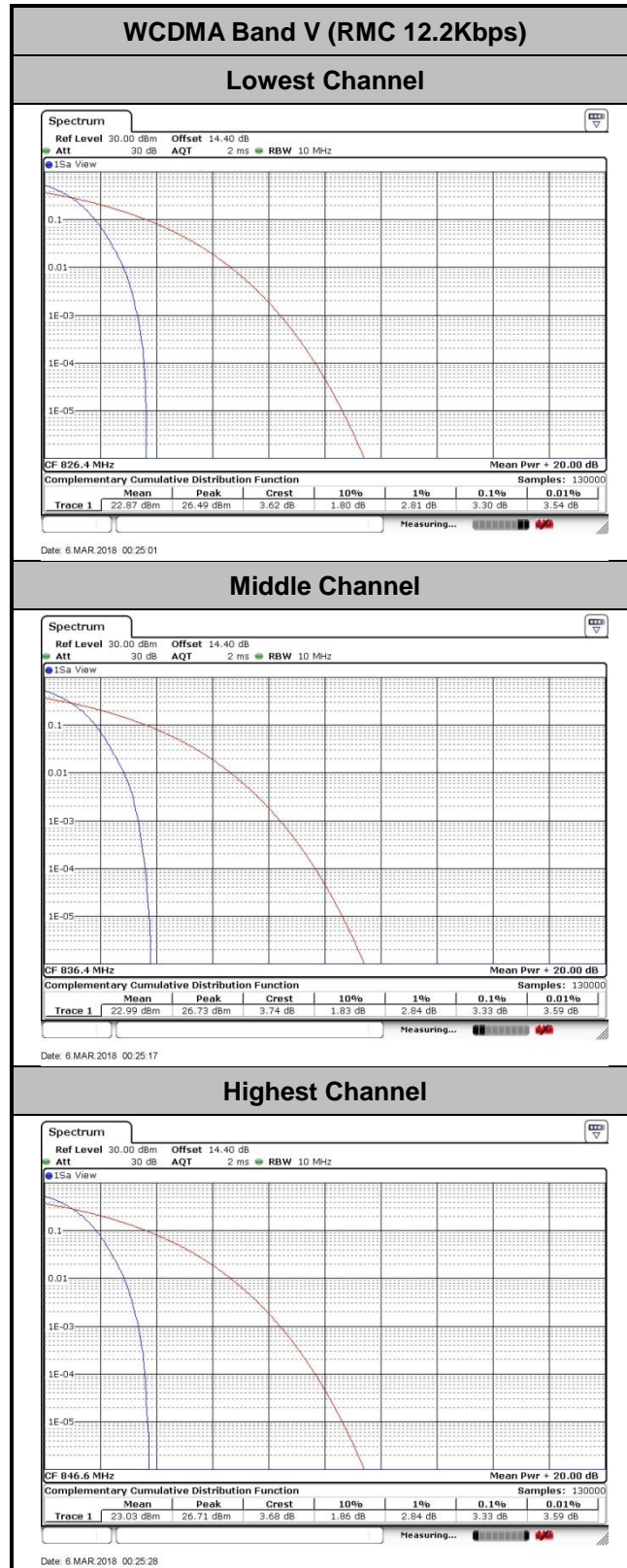
WCDMA Band V ($G_T - L_C = -3.30\text{dBi}$)			
Channel	4132	4182	4233
	(Low)	(Mid)	(High)
Frequency	826.4	836.4	846.6
(MHz)			
Conducted Power (dBm)	23.10	23.25	23.35
Conducted Power (Watts)	0.2042	0.2113	0.2163
ERP(dBm)	17.65	17.80	17.90
ERP(Watts)	0.0582	0.0603	0.0617

WCDMA Band II ($G_T - L_C = -0.60\text{dBi}$)			
Channel	9262	9400	9538
	(Low)	(Mid)	(High)
Frequency	1852.4	1880	1907.6
(MHz)			
Conducted Power (dBm)	22.83	22.78	22.73
Conducted Power (Watts)	0.1919	0.1897	0.1875
EIRP(dBm)	22.23	22.18	22.13
EIRP(Watts)	0.1671	0.1652	0.1633



Peak-to-Average Ratio

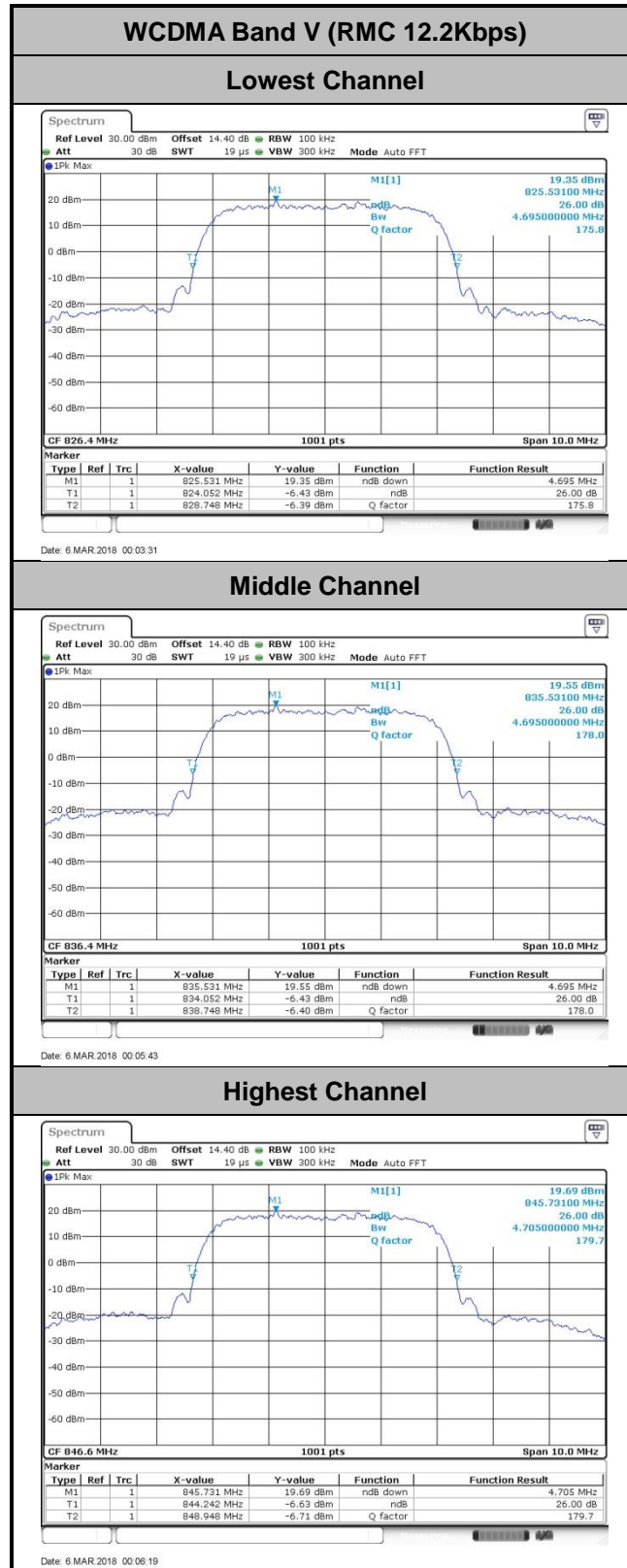
Mode	WCDMA Band V(dB)	Limit: 13dB
Mod.	RMC 12.2Kbps	Result
Lowest CH	3.30	PASS
Middle CH	3.33	
Highest CH	3.33	





26dB Bandwidth

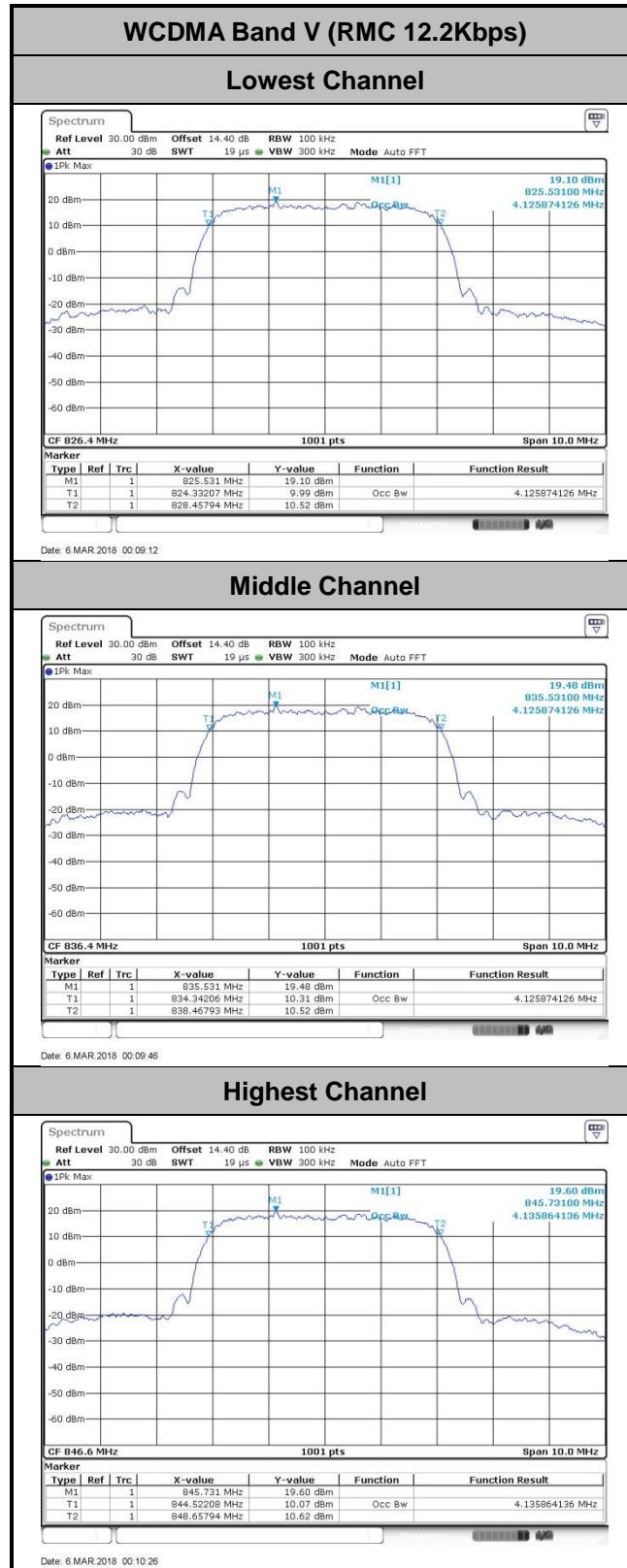
Mode	WCDMA Band V(MHz)
Mod.	RMC 12.2Kbps
Lowest CH	4.70
Middle CH	4.70
Highest CH	4.71





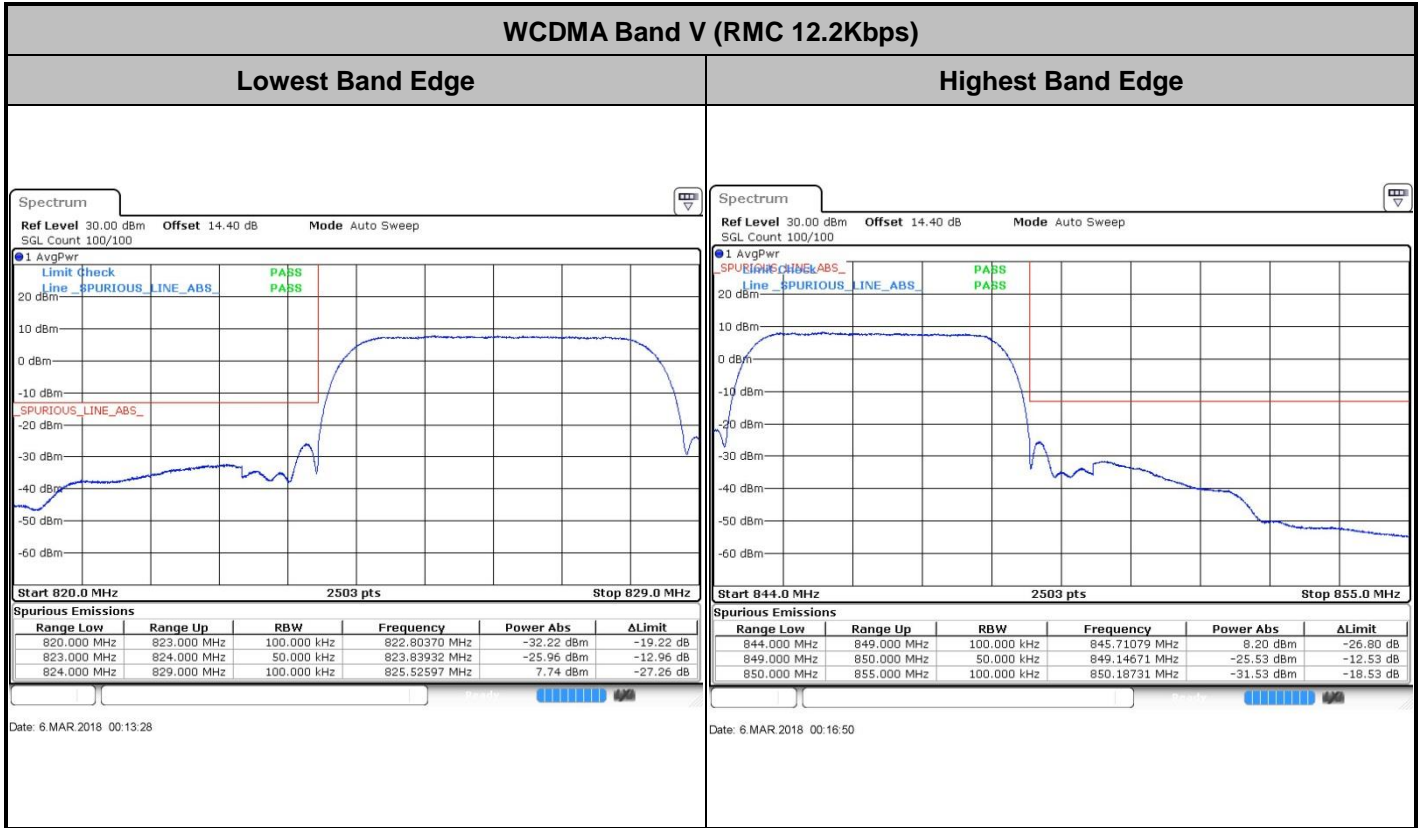
Occupied Bandwidth

Mode	WCDMA Band V(MHz)
Mod.	RMC 12.2Kbps
Lowest CH	4.13
Middle CH	4.13
Highest CH	4.14



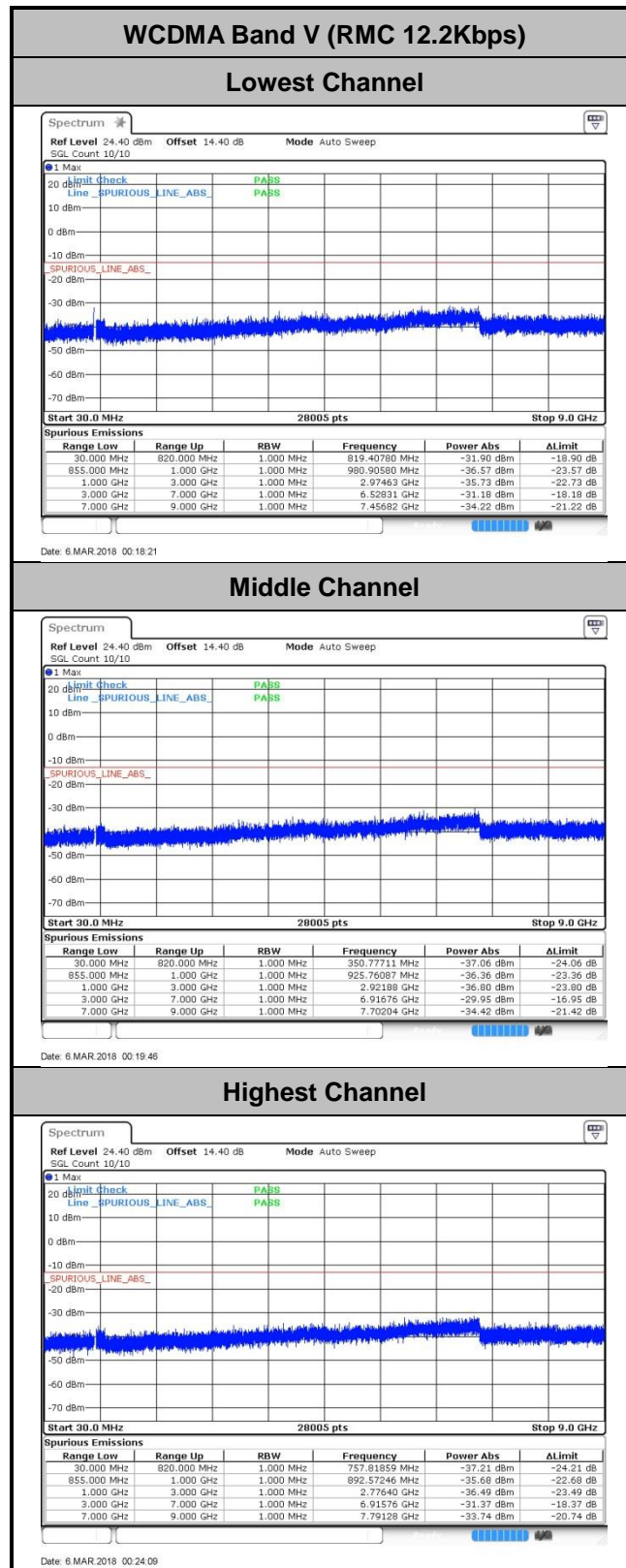


Conducted Band Edge





Conducted Spurious Emission





Frequency Stability

Test Conditions	Middle Channel	WCDMA Band V (RMC 12.2Kbps)	Limit 2.5ppm
Temperature (°C)	Voltage (Volt)	Deviation (ppm)	Result
50	Normal Voltage	0.0072	PASS
40	Normal Voltage	0.0024	
30	Normal Voltage	0.0084	
20(Ref.)	Normal Voltage	0.0000	
10	Normal Voltage	0.0108	
0	Normal Voltage	0.0215	
-10	Normal Voltage	0.0239	
-20	Normal Voltage	0.0036	
-30	Normal Voltage	0.0048	
20	Maximum Voltage	0.0072	
20	Normal Voltage	0.0203	
20	Battery End Point	0.0096	

Note: Normal Voltage = 3.8V. ; Battery End Point (BEP) =3.4V. ; Maximum Voltage =4.4V



Appendix B. Test Results of Radiated Test

Radiated Spurious Emission

GSM850 (GSM)									
Channel	Frequency (MHz)	ERP (dBm)	Limit (dBm)	Over Limit (dB)	SPA Reading (dBm)	S.G. Power (dBm)	TX Cable loss (dB)	TX Antenna Gain (dBi)	Polarization (H/V)
Lowest	1648	-48.15	-13	-35.15	-57.56	-53.54	1.23	8.76	H
	2472	-33.78	-13	-20.78	-46.27	-40.67	1.44	10.48	H
	3296	-57.67	-13	-44.67	-72.29	-65.61	1.70	11.79	H
	1648	-51.78	-13	-38.78	-60.21	-57.17	1.23	8.76	V
	2472	-31.99	-13	-18.99	-44.15	-38.88	1.44	10.48	V
	3296	-57.92	-13	-44.92	-72.34	-65.86	1.70	11.79	V
Middle	1672	-46.12	-13	-33.12	-55.34	-51.59	1.24	8.85	H
	2512	-33.17	-13	-20.17	-45.62	-40.09	1.44	10.51	H
	3344	-57.98	-13	-44.98	-72.44	-66.02	1.74	11.93	H
	1672	-50.52	-13	-37.52	-59.05	-55.99	1.24	8.85	V
	2512	-33.75	-13	-20.75	-45.89	-40.67	1.44	10.51	V
	3344	-59.39	-13	-46.39	-73.66	-67.43	1.74	11.93	V
Highest	1696	-47.39	-13	-34.39	-52.03	-52.94	1.24	8.94	H
	2544	-30.10	-13	-17.10	-42.59	-37.04	1.44	10.54	H
	3392	-52.05	-13	-39.05	-66.32	-60.19	1.78	12.08	H
	1696	-47.14	-13	-34.14	-55.74	-52.69	1.24	8.94	V
	2544	-32.92	-13	-19.92	-45.19	-39.86	1.44	10.54	V
	3392	-56.18	-13	-43.18	-70.29	-64.32	1.78	12.08	V

Remark: Spurious emissions within 30-1000MHz were found more than 20dB below limit line.



GSM850 (EDGE class 8)									
Channel	Frequency (MHz)	ERP (dBm)	Limit (dBm)	Over Limit (dB)	SPA Reading (dBm)	S.G. Power (dBm)	TX Cable loss (dB)	TX Antenna Gain (dBi)	Polarization (H/V)
Lowest	1648	-48.37	-13	-35.37	-52.78	-53.76	1.23	8.76	H
	2472	-39.86	-13	-26.86	-52.35	-46.75	1.44	10.48	H
	3296	-55.69	-13	-42.69	-70.31	-63.63	1.70	11.79	H
	1648	-54.09	-13	-41.09	-62.52	-59.48	1.23	8.76	V
	2472	-42.83	-13	-29.83	-54.99	-49.72	1.44	10.48	V
	3296	-57.46	-13	-44.46	-71.88	-65.40	1.70	11.79	V
Middle	1672	-49.24	-13	-36.24	-58.46	-54.71	1.24	8.85	H
	2512	-39.73	-13	-26.73	-52.18	-46.65	1.44	10.51	H
	3344	-55.90	-13	-42.90	-70.36	-63.94	1.74	11.93	H
	1672	-50.16	-13	-37.16	-58.69	-55.63	1.24	8.85	V
	2512	-44.17	-13	-31.17	-56.31	-51.09	1.44	10.51	V
	3344	-55.39	-13	-42.39	-69.66	-63.43	1.74	11.93	V
Highest	1696	-41.99	-13	-28.99	-51.13	-47.54	1.24	8.94	H
	2544	-39.57	-13	-26.57	-52.06	-46.51	1.44	10.54	H
	3392	-53.84	-13	-40.84	-68.11	-61.98	1.78	12.08	H
	1696	-49.69	-13	-36.69	-58.29	-55.24	1.24	8.94	V
	2544	-43.64	-13	-30.64	-55.91	-50.58	1.44	10.54	V
	3392	-55.99	-13	-42.99	-70.1	-64.13	1.78	12.08	V

Remark: Spurious emissions within 30-1000MHz were found more than 20dB below limit line.



GSM1900 (GSM)									
Channel	Frequency (MHz)	EIRP (dBm)	Limit (dBm)	Over Limit (dB)	SPA Reading (dBm)	S.G. Power (dBm)	TX Cable loss (dB)	TX Antenna Gain (dBi)	Polarization (H/V)
Lowest	3700	-55.29	-13	-42.29	-70.67	-65.60	1.97	12.28	H
	5548	-54.86	-13	-41.86	-72.76	-64.98	2.14	12.27	H
	7400	-54.18	-13	-41.18	-74.46	-62.18	2.18	10.18	H
	3700	-54.75	-13	-41.75	-69.67	-65.06	1.97	12.28	V
	5548	-49.23	-13	-36.23	-67.14	-59.35	2.14	12.27	V
	7400	-50.31	-13	-37.31	-70.48	-58.31	2.18	10.18	V
Middle	3760	-53.27	-13	-40.27	-68.69	-63.51	2.01	12.24	H
	5640	-57.88	-13	-44.88	-75.79	-68.15	2.12	12.40	H
	7520	-53.20	-13	-40.20	-73.61	-61.16	2.11	10.07	H
	3760	-51.99	-13	-38.99	-66.91	-62.23	2.01	12.24	V
	5640	-50.85	-13	-37.85	-68.73	-61.12	2.12	12.40	V
	7520	-45.00	-13	-32.00	-65.59	-52.96	2.11	10.07	V
Highest	3819	-53.11	-13	-40.11	-68.63	-63.28	2.04	12.21	H
	5730	-56.34	-13	-43.34	-74.59	-66.76	2.10	12.52	H
	7641	-49.54	-13	-36.54	-70.3	-57.93	2.11	10.51	H
	3819	-53.95	-13	-40.95	-68.96	-64.12	2.04	12.21	V
	5730	-55.01	-13	-42.01	-73.24	-65.43	2.10	12.52	V
	7641	-44.16	-13	-31.16	-64.85	-52.55	2.11	10.51	V

Remark: Spurious emissions within 30-1000MHz were found more than 20dB below limit line.



GSM1900 (EDGE class 8)									
Channel	Frequency (MHz)	EIRP (dBm)	Limit (dBm)	Over Limit (dB)	SPA Reading (dBm)	S.G. Power (dBm)	TX Cable loss (dB)	TX Antenna Gain (dBi)	Polarization (H/V)
Lowest	3700	-55.60	-13	-42.60	-70.98	-65.91	1.97	12.28	H
	5550	-57.24	-13	-44.24	-75.14	-67.37	2.14	12.27	H
	7400	-54.08	-13	-41.08	-74.36	-62.08	2.18	10.18	H
	3700	-55.30	-13	-42.30	-70.22	-65.61	1.97	12.28	V
	5550	-57.53	-13	-44.53	-75.44	-67.66	2.14	12.27	V
	7400	-54.40	-13	-41.40	-74.57	-62.40	2.18	10.18	V
Middle	3760	-54.97	-13	-41.97	-70.39	-65.21	2.01	12.24	H
	5640	-57.78	-13	-44.78	-75.69	-68.05	2.12	12.40	H
	7520	-53.77	-13	-40.77	-74.18	-61.73	2.11	10.07	H
	3760	-55.16	-13	-42.16	-70.09	-65.40	2.01	12.24	V
	5640	-56.50	-13	-43.50	-74.38	-66.77	2.12	12.40	V
	7520	-53.22	-13	-40.22	-73.81	-61.18	2.11	10.07	V
Highest	3819	-57.30	-13	-44.30	-72.82	-67.47	2.04	12.21	H
	5729	-56.68	-13	-43.68	-74.93	-67.10	2.10	12.52	H
	7639	-53.80	-13	-40.80	-74.56	-62.19	2.11	10.50	H
	3819	-59.07	-13	-46.07	-74.08	-69.24	2.04	12.21	V
	5729	-56.92	-13	-43.92	-75.15	-67.34	2.10	12.52	V
	7639	-53.42	-13	-40.42	-74.11	-61.81	2.11	10.50	V

Remark: Spurious emissions within 30-1000MHz were found more than 20dB below limit line.



WCDMA Band V(RMC 12.2Kbps)									
Channel	Frequency (MHz)	ERP (dBm)	Limit (dBm)	Over Limit (dB)	SPA Reading (dBm)	S.G. Power (dBm)	TX Cable loss (dB)	TX Antenna Gain (dBi)	Polarization (H/V)
Lowest	1652	-64.26	-13	-51.26	-73.7	-69.66	1.23	8.78	H
	2479	-60.28	-13	-47.28	-72.77	-67.18	1.44	10.48	H
	3305	-59.27	-13	-46.27	-73.84	-67.22	1.71	11.82	H
	1652	-65.13	-13	-52.13	-73.59	-70.53	1.23	8.78	V
	2479	-48.30	-13	-35.30	-60.46	-55.20	1.44	10.48	V
	3305	-60.03	-13	-47.03	-74.4	-67.98	1.71	11.82	V
Middle	1672	-64.35	-13	-51.35	-73.57	-69.82	1.24	8.85	H
	2509	-59.81	-13	-46.81	-72.26	-66.73	1.44	10.51	H
	3345	-59.88	-13	-46.88	-74.34	-67.92	1.74	11.94	H
	1672	-65.18	-13	-52.18	-73.71	-70.65	1.24	8.85	V
	2509	-57.17	-13	-44.17	-69.31	-64.09	1.44	10.51	V
	3345	-60.04	-13	-47.04	-74.31	-68.08	1.74	11.94	V
Highest	1693	-63.92	-13	-50.92	-73.06	-69.46	1.24	8.93	H
	2536	-42.65	-13	-29.65	-55.12	-49.59	1.44	10.53	H
	3386	-59.95	-13	-46.95	-74.28	-68.08	1.78	12.06	H
	1693	-65.06	-13	-52.06	-73.66	-70.60	1.24	8.93	V
	2536	-42.43	-13	-29.43	-54.63	-49.37	1.44	10.53	V
	3386	-59.92	-13	-46.92	-74.08	-68.05	1.78	12.06	V

Remark: Spurious emissions within 30-1000MHz were found more than 20dB below limit line.



WCDMA Band II(RMC 12.2Kbps)									
Channel	Frequency (MHz)	EIRP (dBm)	Limit (dBm)	Over Limit (dB)	SPA Reading (dBm)	S.G. Power (dBm)	TX Cable loss (dB)	TX Antenna Gain (dBi)	Polarization (H/V)
Lowest	3704	-56.51	-13	-43.51	-71.89	-66.81	1.98	12.28	H
	5555	-56.25	-13	-43.25	-74.13	-66.38	2.14	12.28	H
	7409	-54.11	-13	-41.11	-74.4	-62.10	2.17	10.16	H
	3704	-55.27	-13	-42.27	-70.19	-65.57	1.98	12.28	V
	5555	-57.41	-13	-44.41	-75.3	-67.54	2.14	12.28	V
	7409	-54.28	-13	-41.28	-74.45	-62.27	2.17	10.16	V
Middle	3760	-56.35	-13	-43.35	-71.77	-66.59	2.01	12.24	H
	5640	-57.57	-13	-44.57	-75.48	-67.84	2.12	12.40	H
	7520	-53.97	-13	-40.97	-74.38	-61.93	2.11	10.07	H
	3760	-55.10	-13	-42.10	-70.03	-65.34	2.01	12.24	V
	5640	-57.76	-13	-44.76	-75.64	-68.03	2.12	12.40	V
	7520	-53.62	-13	-40.62	-74.21	-61.58	2.11	10.07	V
Highest	3819	-57.30	-13	-44.30	-72.82	-67.47	2.04	12.21	H
	5729	-56.68	-13	-43.68	-74.93	-67.10	2.10	12.52	H
	7639	-53.80	-13	-40.80	-74.56	-62.19	2.11	10.50	H
	3819	-59.07	-13	-46.07	-74.08	-69.24	2.04	12.21	V
	5729	-56.92	-13	-43.92	-75.15	-67.34	2.10	12.52	V
	7639	-53.42	-13	-40.42	-74.11	-61.81	2.11	10.50	V

Remark: Spurious emissions within 30-1000MHz were found more than 20dB below limit line.



Appendix D. Reference Report

Please refer to Sporton report number FG7D2702A which is issued separately.