

## HAC\_E\_Dipole\_835\_160529

### DUT: HAC-Dipole 835 MHz

Communication System: CW; Frequency: 835 MHz; Duty Cycle: 1:1  
 Medium: Air Medium parameters used:  $\sigma = 0$  S/m,  $\epsilon_r = 1$ ;  $\rho = 0$  kg/m<sup>3</sup>  
 Ambient Temperature : 23.2 °C

#### DASY5 Configuration

- Probe: ER3DV6 - SN2358; ConvF(1, 1, 1); Calibrated: 2016/1/19;
- Sensor-Surface: (Fix Surface)
- Electronics: DAE4 Sn1399; Calibrated: 2015/11/23
- Phantom: HAC Test Arch with AMCC; Type: SD HAC P01 BA;
- Measurement SW: DASY52, Version 52.8 (7); SEMCAD X Version 14.6.10 (7164)

### E Scan - measurement distance from the probe sensor center to CD835 = 10mm & 15mm/Hearing Aid Compatibility Test at 15mm distance (41x361x1): Interpolated grid:

dx=0.5000 mm, dy=0.5000 mm

Device Reference Point: 0, 0, -6.3 mm

Reference Value = 125.7 V/m; Power Drift = 0.02 dB

PMR not calibrated. PMF = 1.000 is applied.

E-field emissions = 111.9 V/m

Average value of Total=(111.9+110.7) / 2 = 111.3 V/m

#### PMF scaled E-field

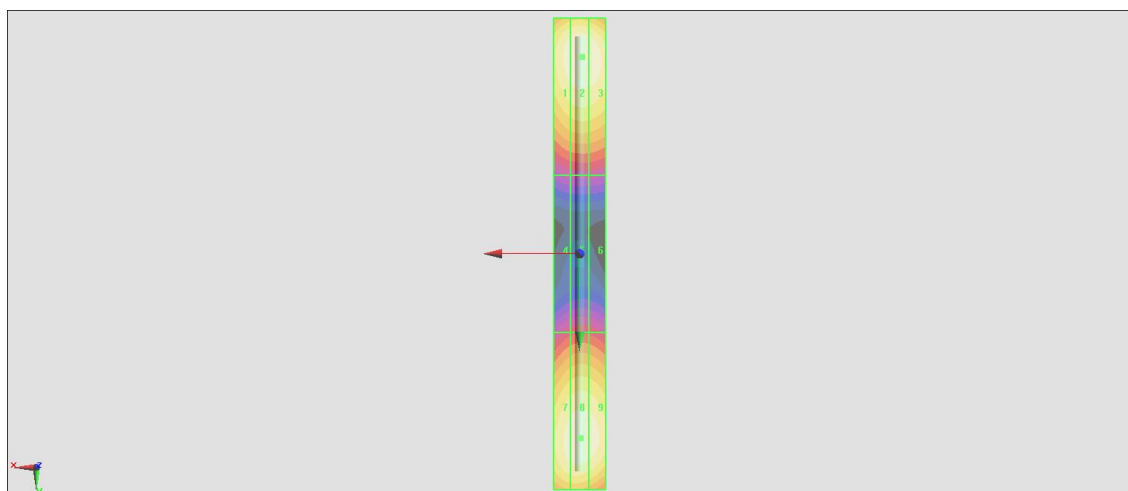
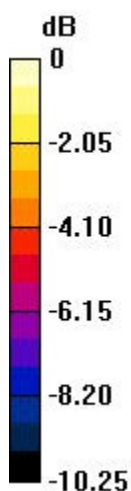
Grid 1 <b>M4</b> <b>108.8 V/m</b>	Grid 2 <b>M4</b> <b>111.9 V/m</b>	Grid 3 <b>M4</b> <b>110.8 V/m</b>
Grid 4 <b>M4</b> <b>62.61 V/m</b>	Grid 5 <b>M4</b> <b>64.15 V/m</b>	Grid 6 <b>M4</b> <b>63.46 V/m</b>
Grid 7 <b>M4</b> <b>108.2 V/m</b>	Grid 8 <b>M4</b> <b>110.7 V/m</b>	Grid 9 <b>M4</b> <b>109.2 V/m</b>

#### Cursor:

Total = 111.9 V/m

E Category: M4

Location: -1, -75, 9.7 mm



0 dB = 111.9 V/m = 40.98 dBV/m

## HAC\_E\_Dipole\_1880\_160529

### DUT: HAC Dipole 1880 MHz

Communication System: CW; Frequency: 1880 MHz; Duty Cycle: 1:1  
 Medium: Air Medium parameters used:  $\sigma = 0$  S/m,  $\epsilon_r = 1$ ;  $\rho = 0$  kg/m<sup>3</sup>  
 Ambient Temperature : 23.2 °C

#### DASY5 Configuration

- Probe: ER3DV6 - SN2358; ConvF(1, 1, 1); Calibrated: 2016/1/19;
- Sensor-Surface: (Fix Surface)
- Electronics: DAE4 Sn1399; Calibrated: 2015/11/23
- Phantom: HAC Test Arch with AMCC; Type: SD HAC P01 BA;
- Measurement SW: DASY52, Version 52.8 (7); SEMCAD X Version 14.6.10 (7164)

**E Scan - measurement distance from the probe sensor center to CD1880 = 10mm & 15mm/Hearing Aid Compatibility Test at 15mm distance (41x181x1):** Interpolated grid:  
 dx=0.5000 mm, dy=0.5000 mm

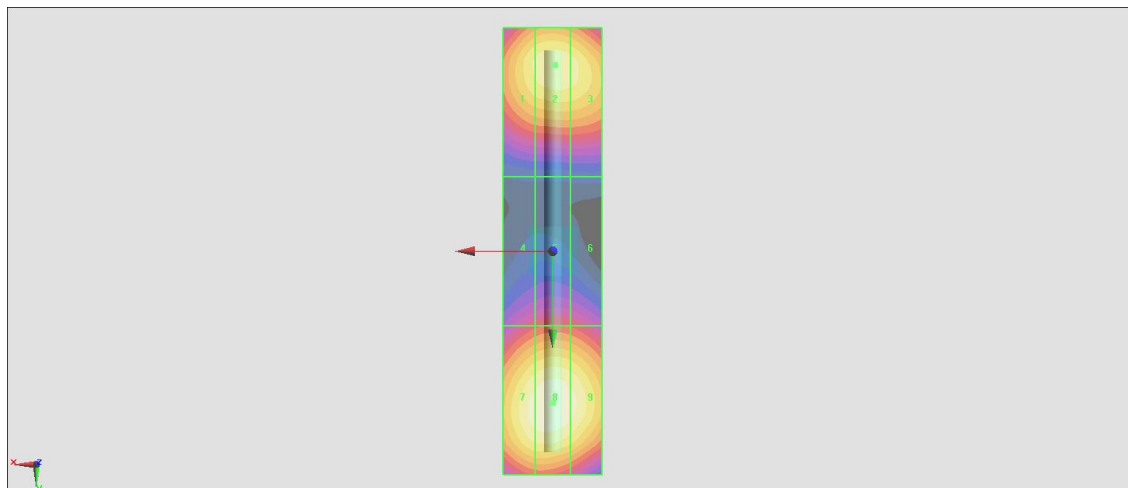
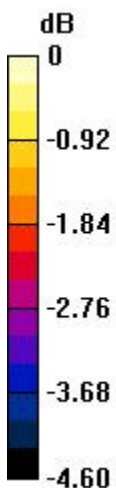
Device Reference Point: 0, 0, -6.3 mm  
 Reference Value = 138.8 V/m; Power Drift = 0.01 dB  
 PMR not calibrated. PMF = 1.000 is applied.  
 E-field emissions = 90.54 V/m  
 Average value of Total=(86.98+90.54) / 2 = 88.76 V/m

PMF scaled E-field

Grid 1 <b>M3</b> <b>85.11 V/m</b>	Grid 2 <b>M3</b> <b>86.98 V/m</b>	Grid 3 <b>M3</b> <b>86.02 V/m</b>
Grid 4 <b>M3</b> <b>70.00 V/m</b>	Grid 5 <b>M3</b> <b>71.31 V/m</b>	Grid 6 <b>M3</b> <b>70.51 V/m</b>
Grid 7 <b>M3</b> <b>88.96 V/m</b>	Grid 8 <b>M3</b> <b>90.54 V/m</b>	Grid 9 <b>M3</b> <b>88.73 V/m</b>

**Cursor:**

Total = 90.54 V/m  
 E Category: M3  
 Location: 0, 30.5, 9.7 mm



0 dB = 90.54 V/m = 39.14 dBV/m

## HAC\_E\_Dipole\_2600\_160529

### DUT: HAC Dipole 2600 MHz

Communication System: CW ; Frequency: 2600 MHz; Duty Cycle: 1:1

Medium: Air Medium parameters used:  $\sigma = 0$  S/m,  $\epsilon_r = 1$ ;  $\rho = 0$  kg/m<sup>3</sup>

Ambient Temperature : 23.2 °C

#### DASY5 Configuration

- Probe: ER3DV6 - SN2358; ConvF(1, 1, 1); Calibrated: 2016/1/19;
- Sensor-Surface: (Fix Surface)
- Electronics: DAE4 Sn1399; Calibrated: 2015/11/23
- Phantom: HAC Test Arch with AMCC; Type: SD HAC P01 BA;
- Measurement SW: DASY52, Version 52.8 (7); SEMCAD X Version 14.6.10 (7164)

### E Scan - measurement distance from the probe sensor center to CD2600 = 10mm & 15mm/Hearing Aid Compatibility Test at 15mm distance (41x181x1): Interpolated grid:

dx=0.5000 mm, dy=0.5000 mm

Device Reference Point: 0, 0, -6.3 mm

Reference Value = 69.34 V/m; Power Drift = -0.00 dB

PMR not calibrated. PMF = 1.000 is applied.

E-field emissions = 91.07 V/m

Average value of Total=(84.67+91.07) / 2 = 87.87 V/m

#### PMF scaled E-field

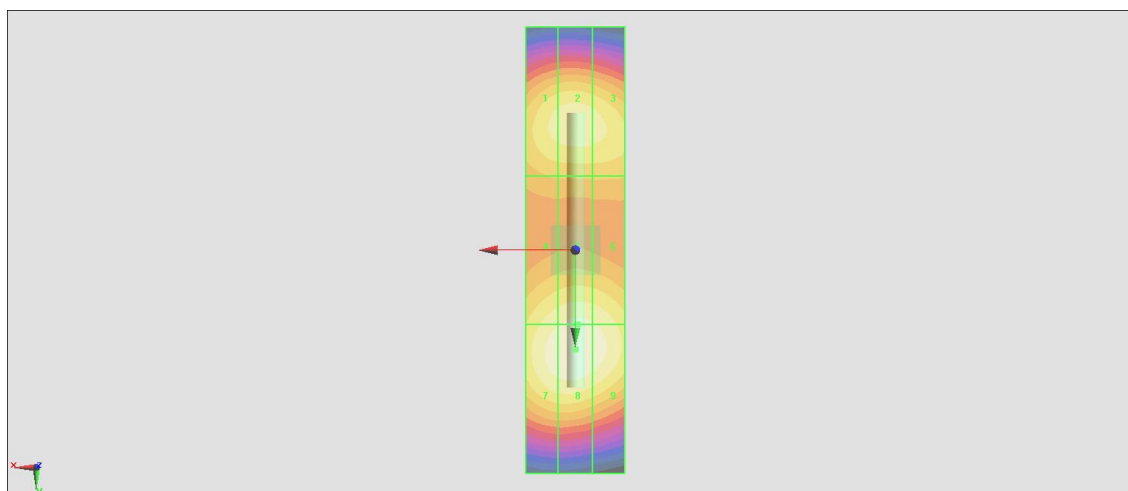
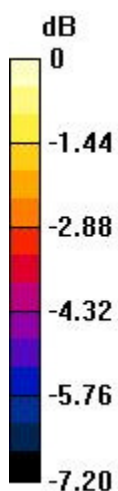
Grid 1 <b>M3</b> <b>83.48 V/m</b>	Grid 2 <b>M3</b> <b>84.67 V/m</b>	Grid 3 <b>M3</b> <b>83.61 V/m</b>
Grid 4 <b>M3</b> <b>85.97 V/m</b>	Grid 5 <b>M3</b> <b>87.78 V/m</b>	Grid 6 <b>M3</b> <b>86.71 V/m</b>
Grid 7 <b>M3</b> <b>89.36 V/m</b>	Grid 8 <b>M3</b> <b>91.07 V/m</b>	Grid 9 <b>M3</b> <b>89.37 V/m</b>

#### Cursor:

Total = 91.07 V/m

E Category: M3

Location: 0, 20, 9.7 mm



0 dB = 91.07 V/m = 39.19 dBV/m