

HEARING AID COMPATIBILITY RF EMISSIONS TEST REPORT

FCC ID : IHDT56AP9
Equipment : Mobile Cellular Phone
Brand Name : Motorola
Model Name : XT2451-1, XT2451-2
WD Emission Result : PASS
Applicant : Motorola Mobility LLC
222 W,Merchandise Mart Plaza, Chicago IL 60654 USA
Manufacturer : Motorola Mobility LLC
222 W,Merchandise Mart Plaza, Chicago IL 60654 USA
Standard : FCC 47 CFR §20.19
ANSI C63.19-2019
Date Tested : Mar. 15, 2024 ~ Mar. 18, 2024

We, Sporton International Inc. (Shenzhen), would like to declare that the tested sample provide by manufacturer and the test data has been evaluated in accordance with the test procedures given in ANSI C63.19-2019 / 47 CFR Part 20.19 and has been in compliance with the applicable technical standards.

The test results in this report apply exclusively to the tested model / sample. Without written approval of Sporton International Inc. (Shenzhen), the test report shall not be reproduced except in full.



Approved by: Si Zhang

Sporton International Inc. (Shenzhen)
1/F, 2/F, Bldg 5, Shiling Industrial Zone, Xinwei Village, Xili, Nanshan, Shenzhen, 518055
People's Republic of China



Table of Contents

1. General Information..... 4
2. Testing Location..... 6
3. Applied Standards 6
4. Air Interfaces 7
5. WD Emission Requirements 8
6. System Description and Operation 9
7. RF Emissions Test Procedure.....12
8. Test Equipment List.....14
9. System Validation15
10. Modulation Interference Factor.....16
11. Evaluation of WD RF interference potential17
 11.1 Evaluation RF_{AIPL}.....17
12. Conducted RF Output Power (Unit: dBm).....27
13. RF_{AIL} Test Results31
14. Uncertainty Assessment33
15. References.....34

Appendix A. Plots of System Performance Check
Appendix B. Plots of RF Emission Measurement
Appendix C. DASYS Calibration Certificate
Appendix D. Test Setup Photos
Appendix E. UID specifications for HAC RFE



History of this test report

Report No.	Version	Description	Issued Date
HA420703A	Rev. 01	Initial issue of report	Apr. 15, 2024



1. General Information

Product Feature & Specification	
Applicant Name	Motorola Mobility LLC
Equipment Name	Mobile Cellular Phone
Brand Name	Motorola
Model Name	XT2451-1, XT2451-2
IMEI Code	IMEI 1: 350431590015593 IMEI 2: 350431590015601
FCC ID	IHDT56AP9
HW	DVT2
SW	U3UX34.16
EUT Stage	Identical Prototype
Frequency Band	GSM850: 824 MHz ~ 849 MHz GSM1900: 1850 MHz ~ 1910 MHz WCDMA Band II: 1850 MHz ~ 1910 MHz WCDMA Band IV: 1710 MHz ~ 1755 MHz WCDMA Band V: 824 MHz ~ 849 MHz LTE Band 2: 1850 MHz ~ 1910 MHz LTE Band 4: 1710 MHz ~ 1755 MHz LTE Band 5: 824 MHz ~ 849 MHz LTE Band 7: 2500 MHz ~ 2570 MHz LTE Band 12: 699 MHz ~ 716 MHz LTE Band 13: 777 MHz ~ 787 MHz LTE Band 14: 788 MHz ~ 798 MHz LTE Band 17: 704 MHz ~ 716 MHz LTE Band 25: 1850 MHz ~ 1915 MHz LTE Band 26: 814 MHz ~ 849 MHz LTE Band 30: 2305 MHz ~ 2315 MHz LTE Band 38: 2570 MHz ~ 2620 MHz LTE Band 41: 2496 MHz ~ 2690 MHz LTE Band 48: 3550 MHz ~ 3700 MHz LTE Band 66: 1710 MHz ~ 1780 MHz LTE Band 71: 663 MHz ~ 698 MHz 5G NR n2 : 1850 MHz ~ 1910 MHz 5G NR n5 : 824 MHz ~ 849 MHz 5G NR n7 : 2500 MHz ~ 2570 MHz 5G NR n12 : 699 MHz ~ 716 MHz 5G NR n14 : 788 MHz ~ 798 MHz 5G NR n25 : 1850 MHz ~ 1915 MHz 5G NR n26 : 814 MHz ~ 849 MHz 5G NR n30 : 2305 MHz ~ 2315 MHz 5G NR n38 : 2570 MHz ~ 2620 MHz 5G NR n41 : 2496 MHz ~ 2690 MHz 5G NR n48 : 3550 MHz ~ 3700 MHz 5G NR n66 : 1710 MHz ~ 1780 MHz 5G NR n70 : 1695 MHz ~ 1710 MHz 5G NR n71 : 663 MHz ~ 698 MHz 5G NR n77: 3450 MHz ~ 3550 MHz, 3700 MHz ~ 3980 MHz 5G NR n78: 3450 MHz ~ 3550 MHz, 3700 MHz ~ 3800 MHz WLAN 2.4GHz Band: 2412 MHz ~ 2462 MHz WLAN 5.2GHz Band: 5180 MHz ~ 5240 MHz WLAN 5.3GHz Band: 5260 MHz ~ 5320 MHz WLAN 5.5GHz Band: 5500 MHz ~ 5720 MHz WLAN 5.8GHz Band: 5745 MHz ~ 5825 MHz WLAN 6GHz U-NII-5: 5925 MHz ~ 6425 MHz WLAN 6GHz U-NII-6: 6425 MHz ~ 6525 MHz WLAN 6GHz U-NII-7: 6525 MHz ~ 6875 MHz WLAN 6GHz U-NII-8: 6875 MHz ~ 7125 MHz Bluetooth: 2402 MHz ~ 2480 MHz NFC: 13.56 MHz WPT: 115 kHz ~ 145 kHz
Mode	GSM/GPRS/EGPRS RMC/AMR 12.2Kbps HSDPA HSUPA DC-HSDPA



HSPA+ (16QAM uplink is not supported)
LTE: QPSK, 16QAM, 64QAM, 256QAM
5G NR: DFT-s-OFDM/CP-OFDM, Pi/2 BPSK/QPSK/16QAM/64QAM/256QAM
WLAN 2.4GHz 802.11b/g/n HT20/HT40
WLAN 2.4GHz 802.11ac VHT20/VHT40
WLAN 2.4GHz 802.11ax HE20/HE40
WLAN 2.4GHz 802.11be EHT20/ EHT40
WLAN 5GHz 802.11a/n HT20/HT40
WLAN 5GHz 802.11ac VHT20/VHT40/VHT80/VHT160
WLAN 5GHz 802.11ax HE20/HE40/HE80/HE160
WLAN 5GHz 802.11be EHT20/EHT40/EHT80/EHT160
WLAN 6GHz 802.11a/ax HE20/HE40/HE80/HE160
WLAN 6GHz 802.11be EHT20/EHT40/EHT80/EHT160/EHT320
Bluetooth BR/EDR/LE
NFC: ASK
WPT: ASK

Remark:

1. The model names XT2451-1, XT2451-2 are only for different market purpose, and all the others are the same.



2. Testing Location

Sporton International Inc. (Shenzhen) is accredited to ISO/IEC 17025:2017 by American Association for Laboratory Accreditation with Certificate Number 5145.01.

Testing Laboratory			
Test Firm	Sporton International Inc. (Shenzhen)		
Test Site Location	1/F, 2/F, Bldg 5, Shiling Industrial Zone, Xinwei Village, Xili, Nanshan, Shenzhen, 518055 People's Republic of China TEL: +86-755-86379589 FAX: +86-755-86379595		
Test Site No.	Sporton Site No.	FCC Designation No.	FCC Test Firm Registration No.
	SAR05-SZ	CN1256	421272

3. Applied Standards

- FCC CFR47 Part 20.19
- ANSI C63.19-2019
- FCC KDB 285076 D01 HAC Guidance v06r04
- FCC KDB 285076 D03 HAC FAQ v01r06



4. Air Interfaces

Air Interface	Band MHz	Type	C63.19 RF _{AIRL} Tested	Simultaneous Transmitter	Name of Voice Service	Power Reduction	
GSM	GSM850	VO	Yes	WLAN, BT	CMRS Voice	No	
	GSM1900			WLAN, BT		No	
	EDGE850	VD	Yes	WLAN, BT	Google Meet google Fi	No	
	EDGE1900			WLAN, BT			
WCDMA	Band II	VO	No ⁽¹⁾	WLAN, BT	CMRS Voice	No	
	Band IV			WLAN, BT		No	
	Band V			WLAN, BT		No	
	HSPA	VD	No ⁽¹⁾	WLAN, BT	Google Meet google Fi	No	
LTE FDD	Band 2	VD	No ⁽¹⁾	5G NR, WLAN, BT	VoLTE / Google Meet google Fi	No	
	Band 4			5G NR, WLAN, BT		No	
	Band 5			5G NR, WLAN, BT		No	
	Band 7			5G NR, WLAN, BT		No	
	Band 12			5G NR, WLAN, BT		No	
	Band 13			5G NR, WLAN, BT		No	
	Band 14			5G NR, WLAN, BT		No	
	Band 17			5G NR, WLAN, BT		No	
	Band 25			5G NR, WLAN, BT		No	
	Band 26			5G NR, WLAN, BT		No	
	Band 30			5G NR, WLAN, BT		No	
	Band 66			5G NR, WLAN, BT		No	
	Band 71			5G NR, WLAN, BT		No	
LTE TDD	Band 38	VD	Yes	5G NR, WLAN, BT	VoLTE / Google Meet google Fi	No	
	Band 41			5G NR, WLAN, BT		No	
	Band 48			5G NR, WLAN, BT		No	
5G NR FDD	n2	VD	No ⁽¹⁾	LTE, WLAN, BT	VoNR / Google Meet google Fi	No	
	n5			LTE, WLAN, BT		No	
	n7			LTE, WLAN, BT		No	
	n12			LTE, WLAN, BT		No	
	n14			LTE, WLAN, BT		No	
	n25			LTE, WLAN, BT		No	
	n26			LTE, WLAN, BT		No	
	n30			LTE, WLAN, BT		No	
	n66			LTE, WLAN, BT		No	
	n70			LTE, WLAN, BT		No	
	n71			LTE, WLAN, BT		No	
5G NR TDD	n38	VD	No ⁽¹⁾	LTE, WLAN, BT	Google Meet google Fi	No	
	n41		Yes ⁽⁴⁾	LTE, WLAN, BT		No	
	n48			LTE, WLAN, BT		No	
	n77			LTE, WLAN, BT		No	
	n78			LTE, WLAN, BT		No	
Wi-Fi	2450	VD	No ⁽¹⁾	GSM, WCDMA, LTE, 5G NR, 5G/6G WLAN, BT	VoWiFi / Google Meet google Fi	No	
	5200			GSM, WCDMA, LTE, 5G NR, 2.4G WLAN, BT		No	
	5300			GSM, WCDMA, LTE, 5G NR, 2.4G WLAN, BT		No	
	5500			GSM, WCDMA, LTE, 5G NR, 2.4G WLAN, BT		No	
	5800			GSM, WCDMA, LTE, 5G NR, 2.4G WLAN, BT		No	
	U-NII 5	VD	No ⁽³⁾	GSM, WCDMA, LTE, 5G NR, 2.4G WLAN, BT	VoWiFi / Google Meet google Fi	No	
	U-NII 6		No ⁽²⁾			No	No
	U-NII 7					No	No
U-NII 8	No	No					
BT	2450	DT	No	GSM, WCDMA, LTE, 5G NR, 5G/6G WLAN	NA	No	
Type Transport: VO= Voice only DT= Digital Transport only (no voice) VD= CMRS and IP Voice Service over Digital Transport Remark: 1. The air interface max power plus MIF is complies with ANSI C63.19-2019 Table 4.1 RF _{AIRL}							



2. WLAN6GHz U-NII 6/7/8 were above 6GHz and were not evaluated due to outside of the current scope of ANSI C63.19 and FCC HAC regulations.
3. The WLAN6GHz UNII-5 was evaluated for operations which are entirely below 6 GHz, above 6 GHz were not evaluated due outside of the current scope of ANSI C63.19 and FCC HAC regulations.
4. For 5G NR n41/n77/n78 HPUE, 5G NR n77/n78 PC2 Maximum Duty Cycle is 50%, using FTM (Factory Test Mode) with 50% duty cycle is considered during testing. For 5G NR other bands test, using FTM (Factory Test Mode) with default 100% duty cycle transmission to perform evaluation.
5. Because features of Google Meet allow the option of voice-only communications, Meet has been tested for HAC/T-Coil compatibility to ensure the best user experience.
6. The device has two work states, flip open and Flip close, and that support held-to-the-ear mode in open-side positions of a foldable handset only, so Flip open mode was performed HAC/RF Interference Potential testing.

5. WD Emission Requirements

The WD's conducted power must be at or below either the stated RFAIPL (Table 4.1) or the stated peak power level (Table 4.2), or the average near-field emissions over the measurement area must be at or below the stated RFAIL (Table 4.3), or the stated peak field strength (Table 4.4). The WD may demonstrate compliance by meeting any of these four requirements, but it must do so in each of its operating bands at its established worst-case normal speech-mode operating condition.

Table 4.1 - Wireless device RF audio interference power level	
Frequency range (MHz)	RF _{AIPL} (dBm)
< 960	29
960 - 2000	26
> 2000	25

Table 4.2 - Wireless device RF peak power level	
Frequency range (MHz)	RF _{Peak Power} (dBm)
< 960	35
960 - 2000	32
> 2000	31

Table 4.3 - Wireless device RF audio interference level	
Frequency range (MHz)	RF _{AIL} [dB(V/m)]
< 960	39
960 - 2000	36
> 2000	35

Table 4.4 - Wireless device RF peak near-field level	
Frequency range (MHz)	RF _{Peak} [dB(V/m)]
< 960	45
960 - 2000	42
> 2000	41

<EF3DV3 E-Field Probe Specification>

Construction	One dipole parallel, two dipoles normal to probe axis Interleaved sensors Built-in shielding against static charges PEEK enclosure material
Calibration	In air from 30 MHz to 6.0 GHz (absolute accuracy $\pm 5.1\%$, $k=2$)
Frequency	30 MHz – 6 GHz Linearity: ± 0.2 dB (100 MHz – 3 GHz)
Directivity	± 0.2 dB in air (rotation around probe axis) ± 0.4 dB in air (rotation normal to probe axis)
Dynamic Range	2 – >1000 V/m
Linearity	± 0.2 dB
Dimensions	Overall length: 337 mm (tip: 20 mm) Tip diameter: 3.9 mm (body: 12 mm) Distance from probe tip to dipole centers: 1.5 mm Sensor displacement to probe's calibration point: <0.7 mm

Voltage to E-field Conversion

The measured voltage is first linearized to a quantity proportional to the square of the E-field using the (a, b, c, d) set of parameters specific to the communication system and sensor :

$$V_{\text{compi}} = U_i + U_i^2 \cdot \frac{10^d}{\text{dcp}_i}$$

where V_{compi} = compensated signal of channel i (μV) ($i = x, y, z$)
 U_i = input signal of channel i (μV) ($i = x, y, z$)
 d = PMR factor d (dB) (Probe parameter)
 dcp_i = diode compression point of channel i (μV) (Probe parameter, $i = x, y, z$)

$$V_{\text{compi}}^{\text{dB}\sqrt{\mu\text{V}}} = 10 + \log_{10}(V_{\text{compi}})$$

$$\text{corr}_i = a_i \cdot e^{-\left(\frac{V_{\text{compi}}^{\text{dB}\sqrt{\mu\text{V}}} - b_i}{c_i}\right)^2}$$

where corr_i = correction factor of channel i (dB) ($i = x, y, z$)
 $V_{\text{compi}}^{\text{dB}\sqrt{\mu\text{V}}}$ = compensated voltage of channel i ($\text{dB}\sqrt{\mu\text{V}}$) ($i = x, y, z$)
 a_i = PMR factor a of channel i (dB) (Probe parameter, $i = x, y, z$)
 b_i = PMR factor b of channel i ($\text{dB}\sqrt{\mu\text{V}}$) (Probe parameter, $i = x, y, z$)
 c_i = PMR factor c of channel i (Probe parameter, $i = x, y, z$)

The voltage $V_{i\text{dB}\sqrt{\mu\text{V}}}$ is the linearized voltage in $\text{dB}\sqrt{\mu\text{V}}$:

$$V_{i\text{dB}\sqrt{\mu\text{V}}} = V_{\text{compi}}^{\text{dB}\sqrt{\mu\text{V}}} - \text{corr}_i$$

where $V_{i\text{dB}\sqrt{\mu\text{V}}}$ = linearized voltage of channel i ($\text{dB}\sqrt{\mu\text{V}}$) ($i = x, y, z$)
 $V_{\text{compi}}^{\text{dB}\sqrt{\mu\text{V}}}$ = compensated voltage of channel i ($\text{dB}\sqrt{\mu\text{V}}$) ($i = x, y, z$)
 Corr_i = correction factor of channel i (dB) ($i = x, y, z$)

Finally, the linearized voltage is converted in μV :

$$V_i = 10^{\frac{V_{i \text{ dB}}}{20}} \mu\text{V}$$

where V_i = linearized voltage of channel i (μV) ($i = x, y, z$)
 $V_{i \text{ dB}}$ = linearized voltage of channel i ($\text{dB} \cdot \mu\text{V}$) ($i = x, y, z$)

The E-field data for each channel are calculated using the linearized voltage :

$$\text{E-field Probes : } E_i = \frac{V_i}{\text{Norm}_i \cdot \text{ConvF}}$$

where V_i = compensated signal of channel i , ($i = x, y, z$)
 Norm_i = sensor sensitivity ($\mu\text{V}/(\text{V}/\text{m})^2$) of channel i ($i = x, y, z$)
 ConvF = sensitivity enhancement in solution
 E_i = electric field strength of channel i in V/m

The RMS value of the field components gives the total field strength (Hermitian magnitude) :

$$E_{\text{tot}} = \sqrt{E_x^2 + E_y^2 + E_z^2}$$

Averaged E-field Calculation

The averaged E-field is defined by

$$E_{\text{avg}} = \frac{1}{n} \cdot \sum_{i=1}^n E_i$$

where n = the number of measurement grid point
 E_i = the E-field measured at point i

RFail Calculation

The RFail is finally computed with

$$R_{\text{Fail}}[\text{dB}(\text{V}/\text{m})] = 20 \cdot \log_{10}(E_{\text{avg}}) + \text{MIF}$$

where R_{Fail} = the Radio Frequency Audio Interference Level in $\text{dB}(\text{V}/\text{m})$
 E_{avg} = the averaged E-field in (V/m) calculated
 MIF = the Modulation Interference Factor in dB .

7. RF Emissions Test Procedure

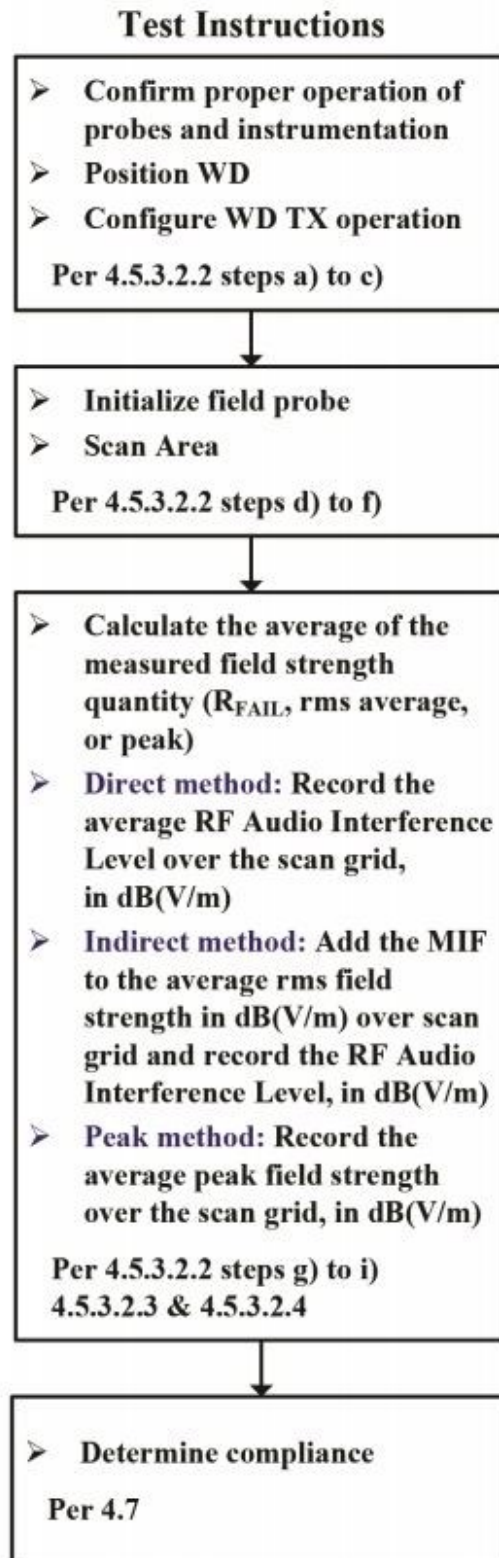
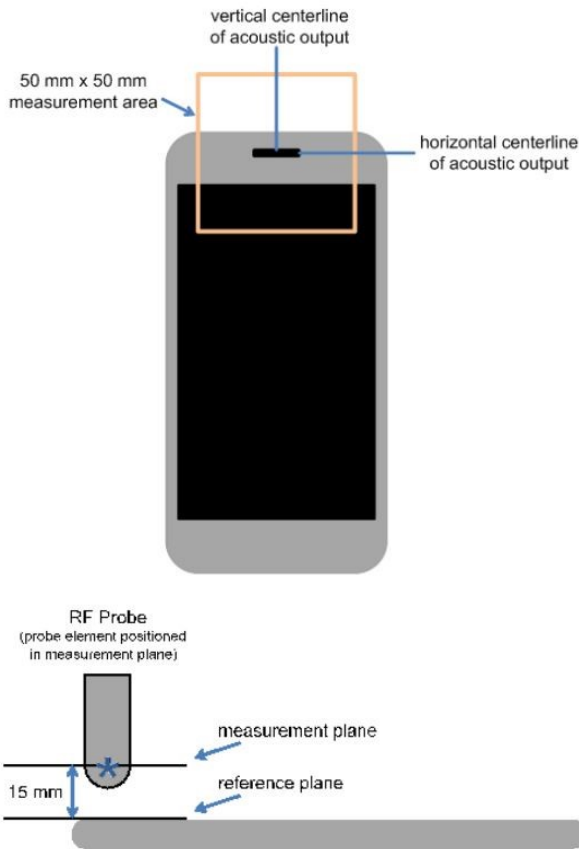
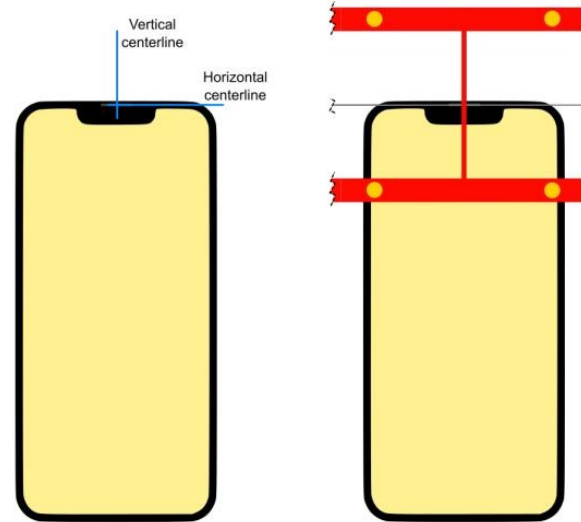


Figure of WD near-field emission scan flowchart according to ANSI C63.19:2019



The references and reference plane that shall be used in the WD emissions measurement



Device Under Test Positioning under the Test Arch

Test procedure: Indirect measurement—preferred

- The measurement procedure using a probe and instrumentation chain with a response of <10 kHz (see ANSI C63.19-2019 section 4.5.1) is identical to the direct measurement method of ANSI C63.19-2019 section 4.5.3.2.2: however, because of the bandwidth limitations, it cannot include the direct use of the spectral and temporal weighting functions. The output of such measurement systems must be readings of steady state rms field strength in dB(V/m).
- The RF audio interference level in dB(V/m) is obtained by adding the Modulation Interference Factor (in decibels) to the average steady state rms field strength reading over the measurement area, in dB(V/m), from Step c). Use this result to determine the WD's compliance per ANSI C63.19-2019 section 4.7.
- Scan the entire 50 mm by 50 mm measurement area in equally spaced step sizes and record the reading at each measurement point. The step size shall meet the specification for step size in ANSI C63.19:2019 section 4.5.3.
- Calculate the average of the measurements taken in Step c
- Convert the average value found in Step d) to RF audio interference level, in volts per meter, by taking the square root of the reading and then dividing it by the measurement system transfer function, as established in ANSI C63.19:2019 section 4.5.3.2.1 pre-test procedure. Convert the result to dB(V/m) by taking the base-10 logarithm and multiplying it by 20. Expressed as a formula

$$\text{RF audio interference level in dB(V/M)} = 20 * \log(R_{\text{ave}}^{1/2} / \text{TF})$$
 where
 R_{ave} is the average reading
- Compare this RF audio interference level to the limits in ANSI C63.19:2019 section 4.7 and record the result
- Per ANSI C63.19-2019 section 4.6, WDs capable of operating multiple transmitters shall be subject to emissions requirements for all such transmitters expected to be operated when the WD is in voice mode operation positioned at a user's ear. Each qualified transmitter is tested individually using the method of Clause 4. Other WD transmitters shall be temporarily disabled or reduced in power level such that their average antenna input power is at least 6 dB lower than the average antenna input power of the transmitter under test. The transmitter under test is set to the fixed and repeatable combination of power and modulation characteristic that is representative of the worst case (highest interference potential) likely to be encountered while the WD is experiencing normal voice mode operation. The limiting measurement for device qualification is the highest RF audio interference potential measured for any of the WD transmitters. If the highest interference measurement is from a transmitter that is not required for normal voice mode operation, a secondary rating may be given that applies when that transmitter is disabled



8. Test Equipment List

Table with 6 columns: Manufacturer, Name of Equipment, Type/Model, Serial Number, Last Cal., Due Date. Rows include various equipment like Calibration Dipole, Power Sensor, Amplifier, etc.

Note:

- 1. NCR: "No-Calibration Required"
2. The dipole calibration interval can be extended to 3 years with justification. The dipoles are also not physically damaged, or repaired during the interval.

9. System Validation

Obtaining accurate measurements and relevant quantities in Module HAC depends on the proper functioning of many components and the correct parameter settings. Faulty results due to drift, failures, or incorrect parameters might not be recognized, as the differences might not be obvious in the measurements. SPEAG DASY incorporates a system check, also called system verification procedure, to test for the proper functioning of the system based on the tests described in ANSI C63.19-2019: the RF interference potential test setup is verified with RF Emission Calibration Dipoles.

<Test Setup>

1. Set the RF signal generator for either CW. Set its output power so the peak power applied to the antenna is equal to that recorded for the real or emulated signal using the WD modulation format
2. Average input power P = 100 mW (20 dBm) after adjustment for return loss. An input power that generates field levels similar to those from the WD or other suitable level may also be used
3. The test fixture should meet the two-wavelength separation criterion
4. The probe-to-dipole separation, which is measured from closest surface of the dipole to the center point of the probe sensor element, should be 15 mm

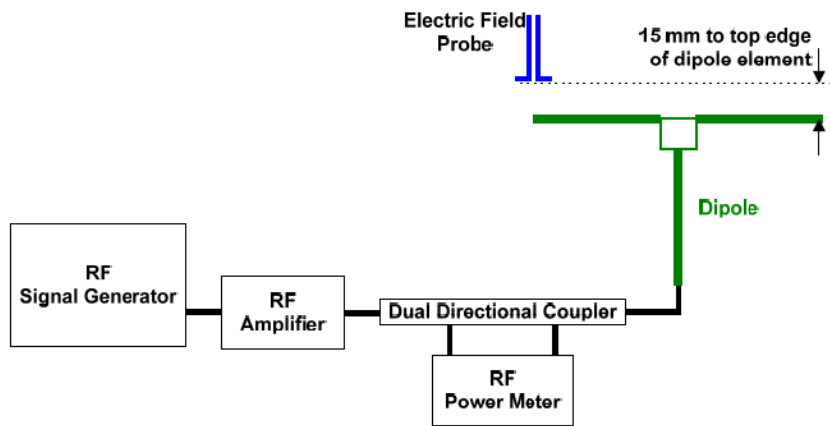


Figure of Setup Diagram

<Validation Procedure>

Place a dipole antenna meeting the requirements given in ANSI C63.19: 2019 D.11 in the position normally occupied by the WD. The dipole antenna serves as a known source for an electrical and magnetic output. Position the E-field probe so that:

- a. The probe and its cable are parallel to the coaxial feed of the dipole antenna
- b. The probe cable and the coaxial feed of the dipole antenna approach the measurement area from opposite directions; and
- c. The center point of the probe element(s) is 15 mm from the closest surface of the dipole elements

Scan the length of the dipole with the E-field probe and record the two maximum values found near the dipole ends. Average the two readings and compare the reading to expected value in the calibration certificate or expected value in this standard.

Frequency (MHz)	Input Power (dBm)	Target Value (V/m)	E _{max} (V/m)	Deviation (%)	Date
835	20	109.9	103	-6.28	Mar. 15, 2024
1880	20	86.6	84.5	-2.42	Mar. 15, 2024
2600	20	86	81.3	-5.47	Mar. 15, 2024
3500	20	84	80.2	-4.52	Mar. 18, 2024



10. Modulation Interference Factor

For any specific fixed and repeatable modulated signal, a Modulation Interference Factor (MIF, expressed in decibels) may be developed that relates its interference potential to its steady state rms signal level or average power level.

MIF may be determined using a radiated RF field, a conducted RF signal, or, in a preliminary stage, a mathematical analysis of a modeled RF signal.

- a. Verify the slope accuracy and dynamic range capability over the desired operating frequency band of a fast probe or sensor, square-law detector, as specified in ANSI C63.19: 2019 D.3, and weighting system as specified in ANSI C63.19: 2019 D.4 and ANSI C63.19: 2019 D.5. For the probe and instrumentation included in the measurement of MIF, additional calibration and application of calibration factors are not required.
b. Using RF illumination, or conducted coupling, apply the specific modulated signal in question to the measurement system at a level within its confirmed operating dynamic range
c. Measure the steady-state rms level at the output of the fast probe or sensor
d. Measure the steady-state average level at the weighting output
e. Without changing the square-law detector or weighting system, and using RF illumination, or conducted coupling, substitute for the specific modulated signal a 1 kHz, 80% amplitude modulated carrier at the same frequency and adjust its strength until the level at the weighting output equals the Step d) measurement
f. Without changing the carrier level from Step e), remove the 1 kHz modulation and again measure the steady-state rms level indicated at the output of the fast probe or sensor.
g. The MIF for the specific modulation characteristic is given by the ratio of the Step f) measurement to the Step c) measurement, expressed in decibels (20*log(step6/step3))

In practice, Step e) and Step f) need not be repeated for each MIF determination if the relationship between the two measurements has been pre-established for the measurement system over the operating frequency and dynamic ranges. In such cases, only the modulation characteristic being tested needs to be available during WD testing. Since indirect measurement procedure was using for RF audio interference power level evaluation, the MIF values applied in this test report were provided by the HAC equipment provider of SPEAG, and the worst values for all air interface are listed below to be determine the Wireless device RF audio interference power level. For UID 10973 is applicable only when 5GNR TDD PC2 with 50% Duty Cycle, and all other 5GNR modes are applicable with UID 10769 more conservatively.

Table with 3 columns: UID, Communication System Name, MIF(dB). Rows include various communication systems like GSM-FDD, EDGE-FDD, UMTS-FDD, LTE-FDD, 5G NR, and IEEE WiFi standards with their corresponding MIF values.



11. Evaluation of WD RF interference potential

General Note:

1. In this report, max conducted power from each air interface was first used to evaluate whether it complies with ANSI C63.19-2019 Table 4.1 RF_{AIPL}, compliance with table 4.1 means compliance with WD emission requirements. the RF_{AIPL} evaluation refer to section 11.1 for detail.
2. If there some air interface were not meet ANSI C63.19-2019 table 4.1 requirement, these air interfaces were further evaluation ANSI C63.19-2019 Table 4.3 RF_{AIL} requirement. And the RF_{AIL} evaluation result refer to section11.2

11.1 Evaluation RF_{AIPL}

<WWAN Max Tune-up Limit>

<Ant0>

Frequency Band		Average Power (dBm)
GSM	GSM850	33.50
	EDGE850	26.00
	GSM1900	30.50
	EDGE1900	27.00
WCDMA	Band V	24.00
	HSPA	23.00
	Band IV	24.00
	HSPA	23.00
	Band II	24.00
	HSPA	23.00
FDD LTE	LTE Band 2	24.00
	LTE Band 4	24.00
	LTE Band 5	24.00
	LTE Band 7	24.00
	LTE Band 12	24.00
	LTE Band 13	24.00
	LTE Band 14	24.00
	LTE Band 17	24.00
	LTE Band 25	24.00
	LTE Band 26	24.00
	LTE Band 30	24.00
	LTE Band 66	24.00
TDD LTE	LTE Band 71	24.00
	LTE Band 38	24.00
	LTE Band 41_PC3	24.00
5G NR FDD	LTE Band 41_PC2	27.00
	FR1 n2	24.00
	FR1 n5	24.00
	FR1 n7	24.00
	FR1 n12	24.00
	FR1 n14	24.00
	FR1 n25	24.00
	FR1 n26	24.00
	FR1 n30	24.00
	FR1 n66	24.00
	FR1 n70	24.00
FR1 n71	24.00	
5G NR TDD	FR1 n38	24.00
	FR1 n41_PC3	24.00
	FR1 n41_PC2	27.00



<Ant1>

Frequency Band		Average Power (dBm)
GSM	GSM850	33.50
	EDGE850	26.00
WCDMA	Band V	24.00
	HSPA	23.00
FDD LTE	LTE Band 2	24.00
	LTE Band 4	24.00
	LTE Band 5	24.00
	LTE Band 7	24.00
	LTE Band 12	24.00
	LTE Band 13	24.00
	LTE Band 14	24.00
	LTE Band 17	24.00
	LTE Band 25	24.00
	LTE Band 26	24.00
	LTE Band 30	24.00
	LTE Band 66	24.00
TDD LTE	LTE Band 71	24.00
	LTE Band 38	24.00
	LTE Band 41_PC3	24.00
5G NR FDD	LTE Band 41_PC2	27.00
	FR1 n2	24.00
	FR1 n5	24.00
	FR1 n7	24.00
	FR1 n12	24.00
	FR1 n14	24.00
	FR1 n25	24.00
	FR1 n26	24.00
	FR1 n30	24.00
	FR1 n66	24.00
	FR1 n70	24.00
FR1 n71	24.00	
5G NR TDD	FR1 n38	24.00
	FR1 n41_PC3	24.00
	FR1 n41_PC2	27.00



<Ant2>

Frequency Band		Average Power (dBm)
GSM	GSM1900	30.50
	EDGE1900	27.00
WCDMA	Band IV	24.00
	HSPA	23.00
	Band II	24.00
FDD LTE	HSPA	23.00
	LTE Band 2	24.00
	LTE Band 4	24.00
	LTE Band 7	24.00
	LTE Band 25	24.00
TDD LTE	LTE Band 30	24.00
	LTE Band 66	24.00
	LTE Band 38	24.00
5G NR FDD	LTE Band 41_PC3	24.00
	LTE Band 41_PC2	27.00
	FR1 n2	24.00
	FR1 n7	24.00
	FR1 n25	24.00
	FR1 n30	24.00
5G NR TDD	FR1 n66	24.00
	FR1 n70	24.00
	FR1 n38	24.00
5G NR TDD	FR1 n41_PC3	24.00
	FR1 n41_PC2	27.00
	FR1 n41_PC2	27.00

<Ant3>

Frequency Band		Average Power (dBm)
FDD LTE	LTE Band 2	24.00
	LTE Band 4	24.00
	LTE Band 7	24.00
	LTE Band 25	24.00
	LTE Band 30	24.00
	LTE Band 66	24.00
TDD LTE	LTE Band 38	24.00
	LTE Band 41_PC3	24.00
	LTE Band 41_PC2	27.00
	LTE Band 48	24.00
5G NR FDD	FR1 n2	24.00
	FR1 n7	24.00
	FR1 n25	24.00
	FR1 n30	24.00
	FR1 n66	24.00
	FR1 n70	24.00
5G NR TDD	FR1 n38	24.00
	FR1 n41_PC3	24.00
	FR1 n41_PC2	27.00
	FR1 n48	24.00
	FR1 n77_PC3	24.00
	FR1 n77_PC2	27.00
	FR1 n78_PC3	24.00
	FR1 n78_PC2	27.00



<Ant4>

Frequency Band		Average Power (dBm)
TDD LTE	LTE Band 48	24.00
5G NR TDD	FR1 n48	24.00
	FR1 n77_PC3	24.00
	FR1 n77_PC2	27.00
	FR1 n78_PC3	24.00
	FR1 n78_PC2	27.00

<Ant6>

Frequency Band		Average Power (dBm)
TDD LTE	LTE Band 48	24.00
5G NR TDD	FR1 n48	24.00
	FR1 n77_PC3	24.00
	FR1 n77_PC2	27.00
	FR1 n78_PC3	24.00
	FR1 n78_PC2	27.00

<Ant8>

Frequency Band		Average Power (dBm)
TDD LTE	LTE Band 48	24.00
5G NR TDD	FR1 n48	24.00
	FR1 n77_PC3	24.00
	FR1 n77_PC2	27.00
	FR1 n78_PC3	24.00
	FR1 n78_PC2	27.00



<WLAN Max Tune-up Limit>

Frequency Band		Average Power (dBm)
WLAN2.4GHz Ant 5+7	802.11b	25.50
	802.11g	24.00
	802.11n-HT20	24.00
	802.11n-HT40	21.50
	802.11ac-VHT20	24.00
	802.11ac-VHT40	21.50
	802.11ax-HE20	24.50
	802.11ax-HE40	22.00
	802.11be-EHT20	24.50
	802.11be-EHT40	21.50
WLAN5GHz Ant 5+7	802.11a	23.00
	802.11n-HT20	23.00
	802.11n-HT40	23.00
	802.11ac-VHT20	23.00
	802.11ac-VHT40	23.00
	802.11ac-VHT80	22.00
	802.11ac-VHT160	21.00
	802.11ax-HE20	23.00
	802.11ax-HE40	23.00
	802.11ax-HE80	22.00
	802.11ax-HE160	21.00
	802.11be-EHT20	23.00
	802.11be-EHT40	23.00
	802.11be-EHT80	22.00
	802.11be-EHT160	21.00
WLAN6GHz Ant 5+7	802.11a	11.50
	802.11ax-HE20	12.50
	802.11ax-HE40	15.50
	802.11be-EHT20	12.50
	802.11be-EHT40	15.50



<Evaluation RF audio interference power level>

General Note:

1. Use maximum power plus worst case MIF to determine whether it complies with RF_{AIPL}
2. If maximum power plus worst case MIF does not complies with RF_{AIPL}, then further evaluation RF_{AIL} include in section 11.2.
3. EDGE data modes is not necessary due the GSM Voice mode is the worst case.
4. According to ANSI C63.19 2019, if maximum power plus worst case MIF is complies with RF_{AIPL}, means compliance with WD emission requirements.

<Ant0>

Frequency Band		Average Power (dBm)	Worst Case MIF (dB)	Power + MIF(dB)	C63.19 Lowest RFAIPL (dBm)	C63.19 test required
GSM	GSM850	33.50	3.63	37.13	29	Yes
	EDGE850	26.00	3.75	29.75	29	NO ⁽³⁾
	GSM1900	30.50	3.63	34.13	26	Yes
	EDGE1900	27.00	3.75	30.75	26	NO ⁽³⁾
WCDMA	Band V	24.00	-25.43	-1.43	29	NO
	HSPA	23.00	-20.39	2.61	29	NO
	Band IV	24.00	-25.43	-1.43	26	NO
	HSPA	23.00	-20.39	2.61	26	NO
	Band II	24.00	-25.43	-1.43	26	NO
	HSPA	23.00	-20.39	2.61	26	NO
FDD LTE	LTE Band 2	24.00	-9.76	14.24	26	NO
	LTE Band 4	24.00	-9.76	14.24	26	NO
	LTE Band 5	24.00	-9.76	14.24	29	NO
	LTE Band 7	24.00	-9.76	14.24	25	NO
	LTE Band 12	24.00	-9.76	14.24	29	NO
	LTE Band 13	24.00	-9.76	14.24	29	NO
	LTE Band 14	24.00	-9.76	14.24	29	NO
	LTE Band 17	24.00	-9.76	14.24	29	NO
	LTE Band 25	24.00	-9.76	14.24	26	NO
	LTE Band 26	24.00	-9.76	14.24	29	NO
	LTE Band 30	24.00	-9.76	14.24	25	NO
	LTE Band 66	24.00	-9.76	14.24	26	NO
TDD LTE	LTE Band 71	24.00	-9.76	14.24	29	NO
	LTE Band 38	24.00	-1.44	22.56	25	NO
	LTE Band 41_PC3	24.00	-1.44	22.56	25	NO
5G NR FDD	LTE Band 41_PC2	27.00	-1.44	25.56	25	Yes
	FR1 n2	24.00	-12.08	11.92	26	NO
	FR1 n5	24.00	-12.08	11.92	29	NO
	FR1 n7	24.00	-12.08	11.92	25	NO
	FR1 n12	24.00	-12.08	11.92	29	NO
	FR1 n14	24.00	-12.08	11.92	29	NO
	FR1 n25	24.00	-12.08	11.92	26	NO
	FR1 n26	24.00	-12.08	11.92	29	NO
	FR1 n30	24.00	-12.08	11.92	25	NO
	FR1 n66	24.00	-12.08	11.92	26	NO
5G NR TDD	FR1 n70	24.00	-12.08	11.92	26	NO
	FR1 n71	24.00	-12.08	11.92	29	NO
	FR1 n38	24.00	-12.08	11.92	25	NO
	FR1 n41_PC3	24.00	-12.08	11.92	25	NO
	FR1 n41_PC2	27.00	-1.64	25.36	25	Yes



<Ant1>

Frequency Band		Average Power (dBm)	Worst Case MIF (dB)	Power + MIF (dB)	C63.19 Lowest RFAIPL (dBm)	C63.19 test required
GSM	GSM850	33.50	3.63	37.13	29	Yes
	EDGE850	26.00	3.75	29.75	29	NO ⁽³⁾
WCDMA	Band V	24.00	-25.43	-1.43	29	NO
	HSPA	23.00	-20.39	2.61	29	NO
FDD LTE	LTE Band 2	24.00	-9.76	14.24	26	NO
	LTE Band 4	24.00	-9.76	14.24	26	NO
	LTE Band 5	24.00	-9.76	14.24	29	NO
	LTE Band 7	24.00	-9.76	14.24	25	NO
	LTE Band 12	24.00	-9.76	14.24	29	NO
	LTE Band 13	24.00	-9.76	14.24	29	NO
	LTE Band 14	24.00	-9.76	14.24	29	NO
	LTE Band 17	24.00	-9.76	14.24	29	NO
	LTE Band 25	24.00	-9.76	14.24	26	NO
	LTE Band 26	24.00	-9.76	14.24	29	NO
	LTE Band 30	24.00	-9.76	14.24	25	NO
	LTE Band 66	24.00	-9.76	14.24	26	NO
TDD LTE	LTE Band 71	24.00	-9.76	14.24	29	NO
	LTE Band 38	24.00	-1.44	22.56	25	NO
	LTE Band 41_PC3	24.00	-1.44	22.56	25	NO
	LTE Band 41_PC2	27.00	-1.44	25.56	25	Yes
5G NR FDD	FR1 n2	24.00	-12.08	11.92	26	NO
	FR1 n5	24.00	-12.08	11.92	29	NO
	FR1 n7	24.00	-12.08	11.92	25	NO
	FR1 n12	24.00	-12.08	11.92	29	NO
	FR1 n14	24.00	-12.08	11.92	29	NO
	FR1 n25	24.00	-12.08	11.92	26	NO
	FR1 n26	24.00	-12.08	11.92	29	NO
	FR1 n30	24.00	-12.08	11.92	25	NO
	FR1 n66	24.00	-12.08	11.92	26	NO
	FR1 n70	24.00	-12.08	11.92	26	NO
5G NR TDD	FR1 n71	24.00	-12.08	11.92	29	NO
	FR1 n38	24.00	-12.08	11.92	25	NO
	FR1 n41_PC3	24.00	-12.08	11.92	25	NO
	FR1 n41_PC2	27.00	-1.64	25.36	25	Yes



<Ant2>

Frequency Band		Average Power (dBm)	Worst Case MIF (dB)	Power + MIF(dB)	C63.19 Lowest RFAIPL (dBm)	C63.19 test required
GSM	GSM1900	30.50	3.63	34.13	26	Yes
	EDGE1900	27.00	3.75	30.75	26	NO ⁽³⁾
WCDMA	Band IV	24.00	-25.43	-1.43	26	NO
	HSPA	23.00	-20.39	2.61	26	NO
	Band II	24.00	-25.43	-1.43	26	NO
FDD LTE	HSPA	23.00	-20.39	2.61	26	NO
	LTE Band 2	24.00	-9.76	14.24	26	NO
	LTE Band 4	24.00	-9.76	14.24	26	NO
	LTE Band 7	24.00	-9.76	14.24	25	NO
	LTE Band 25	24.00	-9.76	14.24	26	NO
TDD LTE	LTE Band 30	24.00	-9.76	14.24	25	NO
	LTE Band 66	24.00	-9.76	14.24	26	NO
	LTE Band 38	24.00	-1.44	22.56	25	NO
5G NR FDD	LTE Band 41_PC3	24.00	-1.44	22.56	25	NO
	LTE Band 41_PC2	27.00	-1.44	25.56	25	Yes
5G NR TDD	FR1 n2	24.00	-12.08	11.92	26	NO
	FR1 n7	24.00	-12.08	11.92	25	NO
	FR1 n25	24.00	-12.08	11.92	26	NO
	FR1 n30	24.00	-12.08	11.92	25	NO
	FR1 n66	24.00	-12.08	11.92	26	NO
	FR1 n70	24.00	-12.08	11.92	26	NO
5G NR FDD	FR1 n38	24.00	-12.08	11.92	25	NO
	FR1 n41_PC3	24.00	-12.08	11.92	25	NO
	FR1 n41_PC2	27.00	-1.64	25.36	25	Yes



<Ant3>

Frequency Band		Average Power (dBm)	Worst Case MIF (dB)	Power + MIF(dB)	C63.19 Lowest RFAIPL (dBm)	C63.19 test required
FDD LTE	LTE Band 2	24.00	-9.76	14.24	26	NO
	LTE Band 4	24.00	-9.76	14.24	26	NO
	LTE Band 7	24.00	-9.76	14.24	25	NO
	LTE Band 25	24.00	-9.76	14.24	26	NO
	LTE Band 30	24.00	-9.76	14.24	25	NO
	LTE Band 66	24.00	-9.76	14.24	26	NO
TDD LTE	LTE Band 38	24.00	-1.44	22.56	25	NO
	LTE Band 41_PC3	24.00	-1.44	22.56	25	NO
	LTE Band 41_PC2	27.00	-1.44	25.56	25	Yes
	LTE Band 48	24.00	-1.44	22.56	25	NO
5G NR FDD	FR1 n2	24.00	-12.08	11.92	26	NO
	FR1 n7	24.00	-12.08	11.92	25	NO
	FR1 n25	24.00	-12.08	11.92	26	NO
	FR1 n30	24.00	-12.08	11.92	25	NO
	FR1 n66	24.00	-12.08	11.92	26	NO
	FR1 n70	24.00	-12.08	11.92	26	NO
5G NR TDD	FR1 n38	24.00	-12.08	11.92	25	NO
	FR1 n41_PC3	24.00	-12.08	11.92	25	NO
	FR1 n41_PC2	27.00	-1.64	25.36	25	Yes
	FR1 n48	24.00	-12.08	11.92	25	NO
	FR1 n77_PC3	24.00	-12.08	11.92	25	NO
	FR1 n77_PC2	27.00	-1.64	25.36	25	Yes
	FR1 n78_PC3	24.00	-12.08	11.92	25	NO
FR1 n78_PC2	27.00	-1.64	25.36	25	Yes	

<Ant4>

Frequency Band		Average Power (dBm)	Worst Case MIF (dB)	Power + MIF(dB)	C63.19 Lowest RFAIPL (dBm)	C63.19 test required
TDD LTE	LTE Band 48	24.00	-1.44	22.56	25	NO
5G NR TDD	FR1 n48	24.00	-12.08	11.92	25	NO
	FR1 n77_PC3	24.00	-12.08	11.92	25	NO
	FR1 n77_PC2	27.00	-1.64	25.36	25	Yes
	FR1 n78_PC3	24.00	-12.08	11.92	25	NO
	FR1 n78_PC2	27.00	-1.64	25.36	25	Yes

<Ant6>

Frequency Band		Average Power (dBm)	Worst Case MIF (dB)	Power + MIF(dB)	C63.19 Lowest RFAIPL (dBm)	C63.19 test required
TDD LTE	LTE Band 48	24.00	-1.44	22.56	25	NO
5G NR TDD	FR1 n48	24.00	-12.08	11.92	25	NO
	FR1 n77_PC3	24.00	-12.08	11.92	25	NO
	FR1 n77_PC2	27.00	-1.64	25.36	25	Yes
	FR1 n78_PC3	24.00	-12.08	11.92	25	NO
	FR1 n78_PC2	27.00	-1.64	25.36	25	Yes



<Ant8>

Frequency Band		Average Power (dBm)	Worst Case MIF (dB)	Power + MIF (dB)	C63.19 Lowest RFAIPL (dBm)	C63.19 test required
TDD LTE	LTE Band 48	24.00	-1.44	22.56	25	NO
5G NR TDD	FR1 n48	24.00	-12.08	11.92	25	NO
	FR1 n77_PC3	24.00	-12.08	11.92	25	NO
	FR1 n77_PC2	27.00	-1.64	25.36	25	Yes
	FR1 n78_PC3	24.00	-12.08	11.92	25	NO
	FR1 n78_PC2	27.00	-1.64	25.36	25	Yes

Frequency Band		Average Power (dBm)	Worst Case MIF (dB)	Power + MIF (dB)	C63.19 Lowest RFAIPL (dBm)	C63.19 test required
WLAN2.4GHz Ant 5+7	802.11b	25.50	-2.02	23.48	25	NO
	802.11g	24.00	0.12	24.12	25	NO
	802.11n-HT20	24.00	-13.44	10.56	25	NO
	802.11n-HT40	21.50	-13.44	8.06	25	NO
	802.11ac-VHT20	24.00	-5.57	18.43	25	NO
	802.11ac-VHT40	21.50	-5.57	15.93	25	NO
	802.11ax-HE20	24.50	-5.58	18.92	25	NO
	802.11ax-HE40	22.00	-5.58	16.42	25	NO
WLAN5GHz Ant 5+7	802.11be-EHT20	24.50	-28.73	-4.23	25	NO
	802.11be-EHT40	21.50	-28.73	-7.23	25	NO
	802.11a	23.00	-3.15	19.85	25	NO
	802.11n-HT20	23.00	-13.44	9.56	25	NO
	802.11n-HT40	23.00	-13.44	9.56	25	NO
	802.11ac-VHT20	23.00	-5.57	17.43	25	NO
	802.11ac-VHT40	23.00	-5.57	17.43	25	NO
	802.11ac-VHT80	22.00	-5.57	16.43	25	NO
	802.11ac-VHT160	21.00	-5.57	15.43	25	NO
	802.11ax-HE20	23.00	-5.58	17.42	25	NO
	802.11ax-HE40	23.00	-5.58	17.42	25	NO
	802.11ax-HE80	22.00	-5.58	16.42	25	NO
	802.11ax-HE160	21.00	-5.58	15.42	25	NO
	802.11be-EHT20	23.00	-28.73	-5.73	25	NO
802.11be-EHT40	23.00	-28.73	-5.73	25	NO	
802.11be-EHT80	22.00	-28.73	-6.73	25	NO	
802.11be-EHT160	21.00	-28.73	-7.73	25	NO	
WLAN6GHz Ant 5+7	802.11a	11.50	-3.15	8.35	25	NO
	802.11ax-HE20	12.50	-5.58	6.92	25	NO
	802.11ax-HE40	15.50	-5.58	9.92	25	NO
	802.11be-EHT20	12.50	-28.73	-16.23	25	NO
	802.11be-EHT40	15.50	-28.73	-13.23	25	NO



12. Conducted RF Output Power (Unit: dBm)

<GSM>

Average Antenna Input Power(dBm)						
Band	GSM850 Ant0			GSM1900 Ant0		
Channel	128	189	251	512	661	810
Frequency (MHz)	824.2	836.4	848.8	1850.2	1880.0	1909.8
GSM (GMSK, 1 Tx slot)	32.30	32.07	32.19	30.18	30.00	30.15

Average Antenna Input Power(dBm)						
Band	GSM850 Ant1			GSM1900 Ant2		
Channel	128	189	251	512	661	810
Frequency (MHz)	824.2	836.4	848.8	1850.2	1880.0	1909.8
GSM (GMSK, 1 Tx slot)	31.72	31.67	31.65	30.04	30.02	30.18

<LTE>

Band 41 (HPUE)_Ant 0								
BW [MHz]	Modulation	RB Size	RB Offset	Power Low Ch. / Freq.	Power Low Middle Ch. / Freq.	Power Middle Ch. / Freq.	Power High Middle Ch. / Freq.	Power High Ch. / Freq.
Channel				39750	40185	40620	41055	41490
Frequency (MHz)				2506	2549.5	2593	2636.5	2680
20	QPSK	1	0	26.42	26.53	26.47	26.44	26.47

Band 41 (HPUE)_Ant 1								
BW [MHz]	Modulation	RB Size	RB Offset	Power Low Ch. / Freq.	Power Low Middle Ch. / Freq.	Power Middle Ch. / Freq.	Power High Middle Ch. / Freq.	Power High Ch. / Freq.
Channel				39750	40185	40620	41055	41490
Frequency (MHz)				2506	2549.5	2593	2636.5	2680
20	QPSK	1	0	26.17	26.33	26.18	26.26	26.29

Band 41 (HPUE)_Ant 2								
BW [MHz]	Modulation	RB Size	RB Offset	Power Low Ch. / Freq.	Power Low Middle Ch. / Freq.	Power Middle Ch. / Freq.	Power High Middle Ch. / Freq.	Power High Ch. / Freq.
Channel				39750	40185	40620	41055	41490
Frequency (MHz)				2506	2549.5	2593	2636.5	2680
20	QPSK	1	0	26.44	26.47	26.42	26.46	26.41

Band 41 (HPUE)_Ant 3								
BW [MHz]	Modulation	RB Size	RB Offset	Power Low Ch. / Freq.	Power Low Middle Ch. / Freq.	Power Middle Ch. / Freq.	Power High Middle Ch. / Freq.	Power High Ch. / Freq.
Channel				39750	40185	40620	41055	41490
Frequency (MHz)				2506	2549.5	2593	2636.5	2680
20	QPSK	1	0	25.93	26.12	26.02	25.95	25.96

<5GNR>

FCC_n41(HPUE)_Ant 0						
BW [MHz]	Modulation	RB Size	RB Offset	Power Low Ch. / Freq.	Power Middle Ch. / Freq.	Power High Ch. / Freq.
Channel				509202	518598	528000
Frequency (MHz)				2546.01	2592.99	2640
100	QPSK	1	1	26.17	26.32	26.23



FCC_n41(HPUE)_Ant 1						
BW [MHz]	Modulation	RB Size	RB Offset	Power Low Ch. / Freq.	Power Middle Ch. / Freq.	Power High Ch. / Freq.
Channel				509202	518598	528000
Frequency (MHz)				2546.01	2592.99	2640
100	QPSK	1	1	26.17	26.23	26.15

FCC_n41(HPUE)_Ant 2						
BW [MHz]	Modulation	RB Size	RB Offset	Power Low Ch. / Freq.	Power Middle Ch. / Freq.	Power High Ch. / Freq.
Channel				509202	518598	528000
Frequency (MHz)				2546.01	2592.99	2640
100	QPSK	1	1	26.16	26.22	26.05

FCC_n41(HPUE)_Ant 3						
BW [MHz]	Modulation	RB Size	RB Offset	Power Low Ch. / Freq.	Power Middle Ch. / Freq.	Power High Ch. / Freq.
Channel				509202	518598	528000
Frequency (MHz)				2546.01	2592.99	2640
100	QPSK	1	1	25.83	26.14	25.89

Part27Q_n77(HPUE)_Ant 3						
BW [MHz]	Modulation	RB Size	RB Offset	Power Low Ch. / Freq.	Power Middle Ch. / Freq.	Power High Ch. / Freq.
Channel					633332	
Frequency (MHz)					3499.98	
100	QPSK	1	1		26.12	

Part27O_n77(HPUE)_Ant 3						
BW [MHz]	Modulation	RB Size	RB Offset	Power Low Ch. / Freq.	Power Middle Ch. / Freq.	Power High Ch. / Freq.
Channel				650000	656000	662000
Frequency (MHz)				3750	3840	3930
100	QPSK	1	1	26.34	26.38	26.36

Part27Q_n77(HPUE)_Ant 4						
BW [MHz]	Modulation	RB Size	RB Offset	Power Low Ch. / Freq.	Power Middle Ch. / Freq.	Power High Ch. / Freq.
Channel					633332	
Frequency (MHz)					3499.98	
100	QPSK	1	1		26.33	

Part27O_n77(HPUE)_Ant 4						
BW [MHz]	Modulation	RB Size	RB Offset	Power Low Ch. / Freq.	Power Middle Ch. / Freq.	Power High Ch. / Freq.
Channel				650000	656000	662000
Frequency (MHz)				3750	3840	3930
100	QPSK	1	1	26.13	26.19	26.15



Part27Q_n77(HPUE)_Ant 6						
BW [MHz]	Modulation	RB Size	RB Offset	Power Low Ch. / Freq.	Power Middle Ch. / Freq.	Power High Ch. / Freq.
Channel					633332	
Frequency (MHz)					3499.98	
100	QPSK	1	1		26.14	

Part27O_n77(HPUE)_Ant 6						
BW [MHz]	Modulation	RB Size	RB Offset	Power Low Ch. / Freq.	Power Middle Ch. / Freq.	Power High Ch. / Freq.
Channel				650000	656000	662000
Frequency (MHz)				3750	3840	3930
100	QPSK	1	1	26.11	26.14	26.02

Part27Q_n77(HPUE)_Ant 8						
BW [MHz]	Modulation	RB Size	RB Offset	Power Low Ch. / Freq.	Power Middle Ch. / Freq.	Power High Ch. / Freq.
Channel					633332	
Frequency (MHz)					3499.98	
100	QPSK	1	1		26.20	

Part27O_n77(HPUE)_Ant 8						
BW [MHz]	Modulation	RB Size	RB Offset	Power Low Ch. / Freq.	Power Middle Ch. / Freq.	Power High Ch. / Freq.
Channel				650000	656000	662000
Frequency (MHz)				3750	3840	3930
100	QPSK	1	1	26.32	26.35	26.29

Part27Q_n78(HPUE)_Ant 3						
BW [MHz]	Modulation	RB Size	RB Offset	Power Low Ch. / Freq.	Power Middle Ch. / Freq.	Power High Ch. / Freq.
Channel					633332	
Frequency (MHz)					3499.98	
100	QPSK	1	1		26.10	

Part27O_n78(HPUE)_Ant 3						
BW [MHz]	Modulation	RB Size	RB Offset	Power Low Ch. / Freq.	Power Middle Ch. / Freq.	Power High Ch. / Freq.
Channel					650000	
Frequency (MHz)					3750	
100	QPSK	1	1		26.34	

Part27Q_n78(HPUE)_Ant 4						
BW [MHz]	Modulation	RB Size	RB Offset	Power Low Ch. / Freq.	Power Middle Ch. / Freq.	Power High Ch. / Freq.
Channel					633332	
Frequency (MHz)					3499.98	
100	QPSK	1	1		26.30	



Part27O_n78(HPUE)_Ant 4						
BW [MHz]	Modulation	RB Size	RB Offset	Power Low Ch. / Freq.	Power Middle Ch. / Freq.	Power High Ch. / Freq.
Channel					650000	
Frequency (MHz)					3750	
100	QPSK	1	1		26.15	

Part27Q_n78(HPUE)_Ant 6						
BW [MHz]	Modulation	RB Size	RB Offset	Power Low Ch. / Freq.	Power Middle Ch. / Freq.	Power High Ch. / Freq.
Channel					633332	
Frequency (MHz)					3499.98	
100	QPSK	1	1		26.10	

Part27O_n78(HPUE)_Ant 6						
BW [MHz]	Modulation	RB Size	RB Offset	Power Low Ch. / Freq.	Power Middle Ch. / Freq.	Power High Ch. / Freq.
Channel					650000	
Frequency (MHz)					3750	
100	QPSK	1	1		26.13	

Part27Q_n78(HPUE)_Ant 8						
BW [MHz]	Modulation	RB Size	RB Offset	Power Low Ch. / Freq.	Power Middle Ch. / Freq.	Power High Ch. / Freq.
Channel					633332	
Frequency (MHz)					3499.98	
100	QPSK	1	1		26.17	

Part27O_n78(HPUE)_Ant 8						
BW [MHz]	Modulation	RB Size	RB Offset	Power Low Ch. / Freq.	Power Middle Ch. / Freq.	Power High Ch. / Freq.
Channel					650000	
Frequency (MHz)					3750	
100	QPSK	1	1		26.27	



13. RF_{AIL} Test Results

General Note:

- 1. The HAC measurement system applies MIF value onto the measured RMS E-field, which is indirect method in ANSI C63.19-2019 version, and reports the RF audio interference level.
2. Phone Condition: Mute on; Backlight off; Max Volume.
3. Since the LTE B41 and NR n77 power class 3 maximum power plus MIF is complies with ANSI63.19-2019 Table 4.1 RF_{AIP,L}, therefore, only power class2 evaluated RF_{AIL}.
4. Since the FR1 n77 that the maximum channel bandwidth does not support three non-overlapping channels in the frequency band, the middle channel of the group of overlapping channels were selected for testing.

Table with 8 columns: Plot No., Air Interface, Modulation / Mode, Channel, Transmit Ant., Average Antenna Input Power (dBm), MIF, RF_{AIL} (dBV/m). Rows 1-40 contain test data for various air interfaces and modulation modes.



41	FR1 n41 PC2	100M_QPSK_1_1	528000	Ant 0	26.23	-1.64	19.79
42	FR1 n41 PC2	100M_QPSK_1_1	509202	Ant 1	26.17	-1.64	17.57
43	FR1 n41 PC2	100M_QPSK_1_1	518598	Ant 1	26.23	-1.64	16.83
44	FR1 n41 PC2	100M_QPSK_1_1	528000	Ant 1	26.15	-1.64	15.55
45	FR1 n77 PC2	100M_QPSK_1_1	633332	Ant 4	26.33	-1.64	31.51
46	FR1 n77 PC2	100M_QPSK_1_1	650000	Ant 4	26.13	-1.64	26.29
47	FR1 n77 PC2	100M_QPSK_1_1	656000	Ant 4	26.19	-1.64	26.32
48	FR1 n77 PC2	100M_QPSK_1_1	662000	Ant 4	26.15	-1.64	25.77
49	FR1 n77 PC2	100M_QPSK_1_1	633332	Ant 8	26.20	-1.64	24.39
50	FR1 n77 PC2	100M_QPSK_1_1	650000	Ant 8	26.32	-1.64	24.26
51	FR1 n77 PC2	100M_QPSK_1_1	656000	Ant 8	26.35	-1.64	24.04
52	FR1 n77 PC2	100M_QPSK_1_1	662000	Ant 8	26.29	-1.64	21.42
53	FR1 n77 PC2	100M_QPSK_1_1	633332	Ant 3	26.12	-1.64	28.31
54	FR1 n77 PC2	100M_QPSK_1_1	650000	Ant 3	26.34	-1.64	29.02
55	FR1 n77 PC2	100M_QPSK_1_1	656000	Ant 3	26.38	-1.64	28.63
56	FR1 n77 PC2	100M_QPSK_1_1	662000	Ant 3	26.36	-1.64	28.60
57	FR1 n77 PC2	100M_QPSK_1_1	633332	Ant 6	26.14	-1.64	28.79
58	FR1 n77 PC2	100M_QPSK_1_1	650000	Ant 6	26.11	-1.64	29.31
59	FR1 n77 PC2	100M_QPSK_1_1	656000	Ant 6	26.14	-1.64	30.36
60	FR1 n77 PC2	100M_QPSK_1_1	662000	Ant 6	26.02	-1.64	29.79
61	FR1 n78 PC2	100M_QPSK_1_1	633332	Ant 4	26.30	-1.64	29.13
62	FR1 n78 PC2	100M_QPSK_1_1	650000	Ant 4	26.15	-1.64	27.87
63	FR1 n78 PC2	100M_QPSK_1_1	633332	Ant 8	26.17	-1.64	24.34
64	FR1 n78 PC2	100M_QPSK_1_1	650000	Ant 8	26.27	-1.64	24.83
65	FR1 n78 PC2	100M_QPSK_1_1	633332	Ant 3	26.10	-1.64	28.47
66	FR1 n78 PC2	100M_QPSK_1_1	650000	Ant 3	26.34	-1.64	29.25
67	FR1 n78 PC2	100M_QPSK_1_1	633332	Ant 6	26.10	-1.64	28.69
68	FR1 n78 PC2	100M_QPSK_1_1	650000	Ant 6	26.13	-1.64	29.66

Test Engineer : Hank Huang, Kevin Xu, David Dai, Bin He



14. Uncertainty Assessment

The component of uncertainty may generally be categorized according to the methods used to evaluate them. The evaluation of uncertainty by the statistical analysis of a series of observations is termed a Type A evaluation of uncertainty. The evaluation of uncertainty by means other than the statistical analysis of a series of observation is termed a Type B evaluation of uncertainty. Each component of uncertainty, however evaluated, is represented by an estimated standard deviation, termed standard uncertainty, which is determined by the positive square root of the estimated variance.

The combined standard uncertainty of the measurement result represents the estimated standard deviation of the result. It is obtained by combining the individual standard uncertainties of both Type A and Type B evaluation using the usual "root-sum-squares" (RSS) methods of combining standard deviations by taking the positive square root of the estimated variances. Expanded uncertainty is a measure of uncertainty that defines an interval about the measurement result within which the measured value is confidently believed to lie. It is obtained by multiplying the combined standard uncertainty by a coverage factor. For purpose of this document, a coverage factor two is used, which corresponds to confidence interval of about 95 %. The DASy uncertainty Budget is showed below Table.

The judgment of conformity in the report is based on the measurement results excluding the measurement uncertainty.

Error Description	Uncertainty Value (±%)	Probability Distribution	Divisor	Ci (Eav)	Standard Uncertainty (E) (±%)
Measurement System					
Probe Calibration	5.1	Normal	1	1	5.1
Axial Isotropy	4.7	Rectangular	√3	1	2.7
Sensor Displacement	7.2	Rectangular	√3	0.5	2.1
Boundary Effects	2.4	Rectangular	√3	1	1.4
Phantom Boundary Effects	7.2	Rectangular	√3	1	4.2
Linearity	4.7	Rectangular	√3	1	2.7
Scaling with PMR Calibration	10.0	Rectangular	√3	1	5.8
System Detection Limit	1.0	Rectangular	√3	1	0.6
Readout Electronics	0.3	Normal	1	1	0.3
Response Time	0.8	Rectangular	√3	0	0.0
Integration Time	2.6	Rectangular	√3	0	0.0
RF Ambient Conditions	3.0	Rectangular	√3	1	1.7
RF Reflections	12.0	Rectangular	√3	1	6.9
Probe Positioner	1.2	Rectangular	√3	1	0.7
Probe Positioning	3.0	Rectangular	√3	1	1.7
Extrap. and Interpolation	1.0	Rectangular	√3	1	0.6
Test Sample Related					
Device Positioning Vertical	4.7	Rectangular	√3	1	2.7
Device Positioning Lateral	1.0	Rectangular	√3	1	0.6
Device Holder and Phantom	2.4	Rectangular	√3	1	1.4
Power Drift	5.0	Rectangular	√3	1	2.9
Phantom and Setup Related					
Phantom Thickness	2.4	Rectangular	√3	1	1.4
Combined Std. Uncertainty					13.1%
Coverage Factor for 95 %					K=2
Expanded STD Uncertainty					26.3%
Declaration of Conformity: The test results with all measurement uncertainty excluded are presented in accordance with the regulation limits or requirements declared by manufacturers.					
Comments and Explanations: The declared of product specification for EUT presented in the report are provided by the manufacturer, and the manufacturer takes all the responsibilities for the accuracy of product specification.					

Uncertainty Budget of HAC free field assessment



15. References

- [1] ANSI C63.19:2019, "American National Standard for Methods of Measurement of Compatibility between Wireless Communications Devices and Hearing Aids", Aug. 2019.
- [2] FCC KDB 285076 D01v06r04, "Equipment Authorization Guidance for Hearing Aid Compatibility", Sep 2023.
- [3] FCC KDB 285076 D03v01r06, "Hearing aid compatibility frequently asked questions", Jul. 2022
- [4] SPEAG DASY System Handbook