

## HAC\_E\_Dipole\_835

### DUT: HAC-Dipole 835 MHz

Communication System: UID 0, CW; Frequency: 835 MHz; Duty Cycle: 1:1

Medium: Air Medium parameters used:  $\sigma = 0$  S/m,  $\epsilon_r = 1$ ;  $\rho = 0$  kg/m<sup>3</sup>

Ambient Temperature : 23.4 °C

#### DASY5 Configuration:

- Probe: EF3DV3 - SN4053; ConvF(1, 1, 1); Calibrated: 2022/7/27
- Sensor-Surface: (Fix Surface)
- Electronics: DAE4 Sn1311; Calibrated: 2022/8/25
- Phantom: HAC Test Arch with AMCC; Type: SD HAC P01 BA;
- Measurement SW: DASY52, Version 52.10 (3); SEMCAD X Version 14.6.13 (7474)

### E Scan - measurement distance from the probe sensor center to CD835 = 15mm/Hearing Aid Compatibility Test at 15mm distance (41x361x1): Interpolated grid:

dx=0.5000 mm, dy=0.5000 mm

Device Reference Point: 0, 0, -6.3 mm

Reference Value = 124.8 V/m; Power Drift = 0.11 dB

PMR not calibrated. PMF = 1.000 is applied.

E-field emissions = 119.2 V/m

Average value of Total=(119.2+111.4)/2=115.3 V/m

#### PMF scaled E-field

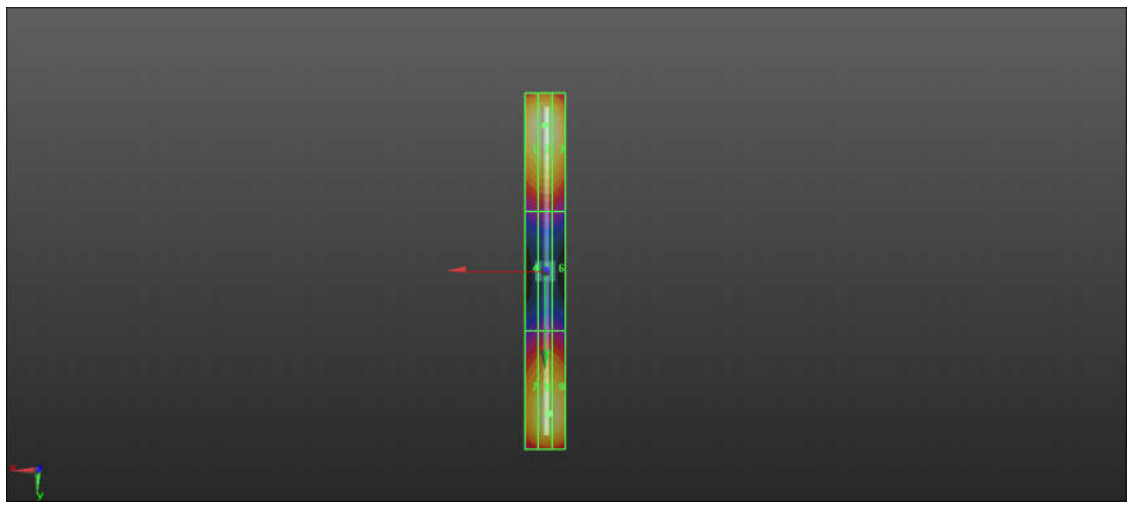
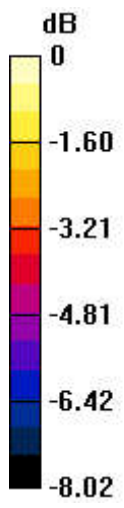
<b>Grid 1 M4</b> <b>115.9 V/m</b>	<b>Grid 2 M4</b> <b>119.2 V/m</b>	<b>Grid 3 M4</b> <b>115.4 V/m</b>
<b>Grid 4 M4</b> <b>69.03 V/m</b>	<b>Grid 5 M4</b> <b>70.38 V/m</b>	<b>Grid 6 M4</b> <b>69.92 V/m</b>
<b>Grid 7 M4</b> <b>106.3 V/m</b>	<b>Grid 8 M4</b> <b>111.4 V/m</b>	<b>Grid 9 M4</b> <b>110.7 V/m</b>

#### Cursor:

Total = 119.2 V/m

E Category: M4

Location: 0, -73.5, 8.7 mm



0 dB = 119.2 V/m = 41.41 dBV/m

## HAC\_E\_Dipole\_1880

### DUT: HAC Dipole 1880 MHz

Communication System: UID 0, CW; Frequency: 1880 MHz; Duty Cycle: 1:1

Medium: Air Medium parameters used:  $\sigma = 0$  S/m,  $\epsilon_r = 1$ ;  $\rho = 0$  kg/m<sup>3</sup>

Ambient Temperature : 23.4 °C

#### DASY5 Configuration:

- Probe: EF3DV3 - SN4053; ConvF(1, 1, 1); Calibrated: 2022/7/27
- Sensor-Surface: (Fix Surface)
- Electronics: DAE4 Sn1311; Calibrated: 2022/8/25
- Phantom: HAC Test Arch with AMCC; Type: SD HAC P01 BA;
- Measurement SW: DASY52, Version 52.10 (3); SEMCAD X Version 14.6.13 (7474)

### E Scan - measurement distance from the probe sensor center to CD1880 = 15mm/Hearing Aid Compatibility Test at 15mm distance (41x181x1): Interpolated grid:

dx=0.5000 mm, dy=0.5000 mm

Device Reference Point: 0, 0, -6.3 mm

Reference Value = 146.3 V/m; Power Drift = 0.04 dB

PMR not calibrated. PMF = 1.000 is applied.

E-field emissions = 97.48 V/m

Average value of Total=(97.48+92.22)/2=94.85 V/m

#### PMF scaled E-field

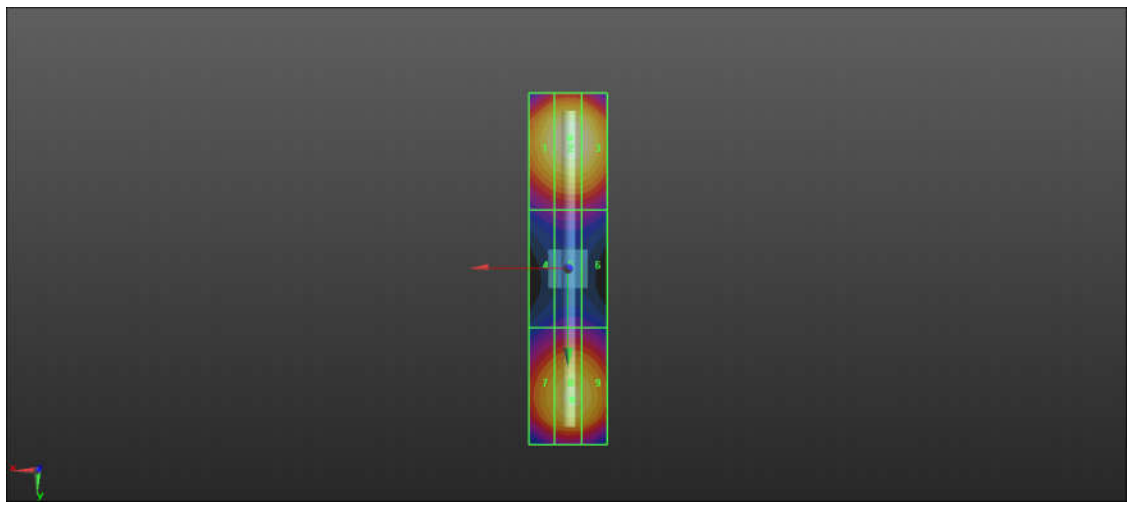
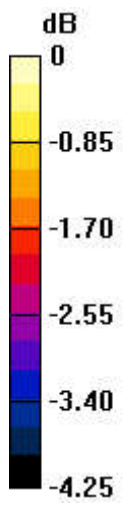
<b>Grid 1 M3</b> <b>94.68 V/m</b>	<b>Grid 2 M3</b> <b>97.48 V/m</b>	<b>Grid 3 M3</b> <b>96.63 V/m</b>
<b>Grid 4 M3</b> <b>72.83 V/m</b>	<b>Grid 5 M3</b> <b>74.02 V/m</b>	<b>Grid 6 M3</b> <b>73.69 V/m</b>
<b>Grid 7 M3</b> <b>89.15 V/m</b>	<b>Grid 8 M3</b> <b>92.22 V/m</b>	<b>Grid 9 M3</b> <b>91.79 V/m</b>

#### Cursor:

Total = 97.48 V/m

E Category: M3

Location: -0.5, -33.5, 8.7 mm



0 dB = 97.48 V/m = 39.95 dBV/m

## HAC\_E\_Dipole\_2450

### DUT: HAC-Dipole 2450 MHz

Communication System: UID 0, CW; Frequency: 2450 MHz; Duty Cycle: 1:1

Medium: Air Medium parameters used:  $\sigma = 0$  S/m,  $\epsilon_r = 1$ ;  $\rho = 0$  kg/m<sup>3</sup>

Ambient Temperature : 23.4 °C

#### DASY5 Configuration:

- Probe: EF3DV3 - SN4053; ConvF(1, 1, 1); Calibrated: 2022/7/27
- Sensor-Surface: (Fix Surface)
- Electronics: DAE4 Sn1311; Calibrated: 2022/8/25
- Phantom: HAC Test Arch with AMCC; Type: SD HAC P01 BA;
- Measurement SW: DASY52, Version 52.10 (3); SEMCAD X Version 14.6.13 (7474)

### E Scan - measurement distance from the probe sensor center to CD2450 = 15mm/Hearing Aid Compatibility Test at 15mm distance (41x181x1): Interpolated grid:

dx=0.5000 mm, dy=0.5000 mm

Device Reference Point: 0, 0, -6.3 mm

Reference Value = 73.81 V/m; Power Drift = -0.02 dB

PMR not calibrated. PMF = 1.000 is applied.

E-field emissions = 91.22 V/m

Average value of Total=(91.22+88.18)/2=89.7 V/m

#### PMF scaled E-field

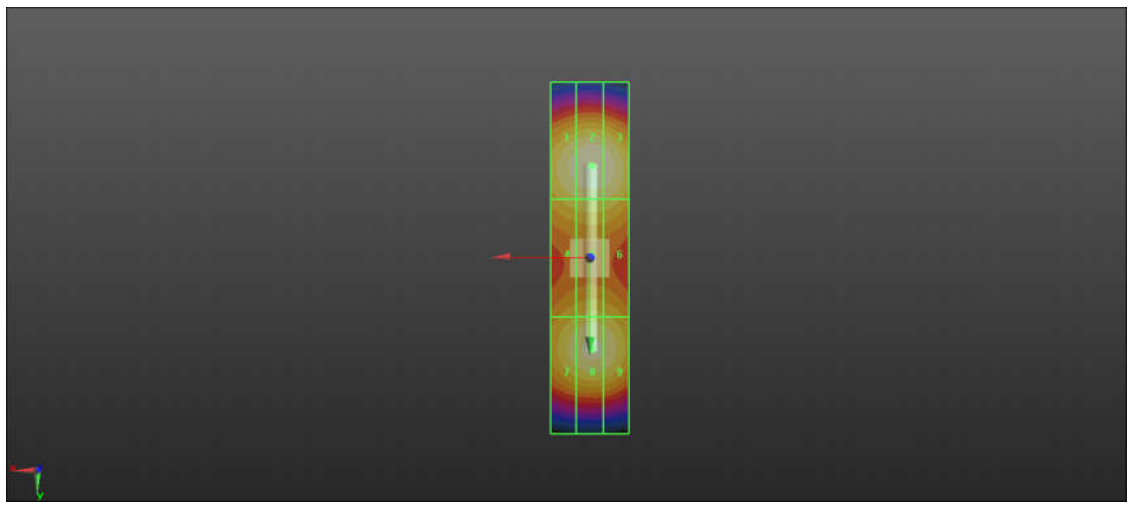
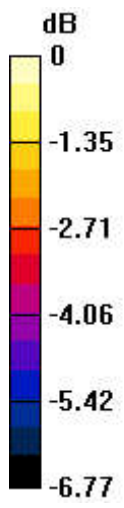
<b>Grid 1 M3</b> <b>89.19 V/m</b>	<b>Grid 2 M3</b> <b>91.22 V/m</b>	<b>Grid 3 M3</b> <b>90.69 V/m</b>
<b>Grid 4 M3</b> <b>82.33 V/m</b>	<b>Grid 5 M3</b> <b>83.66 V/m</b>	<b>Grid 6 M3</b> <b>83.02 V/m</b>
<b>Grid 7 M3</b> <b>85.28 V/m</b>	<b>Grid 8 M3</b> <b>88.18 V/m</b>	<b>Grid 9 M3</b> <b>87.45 V/m</b>

#### Cursor:

Total = 91.22 V/m

E Category: M3

Location: -0.5, -23.5, 8.7 mm



0 dB = 91.22 V/m = 39.93 dBV/m

**HAC\_E\_Dipole\_2600**

**DUT: HAC Dipole 2600 MHz**

Communication System: UID 0, CW (0); Frequency: 2600 MHz;Duty Cycle: 1:1

Medium: Air Medium parameters used:  $\sigma = 0$  S/m,  $\epsilon_r = 1$ ;  $\rho = 0$  kg/m<sup>3</sup>

Ambient Temperature : 23.4 °C

**DASY5 Configuration:**

- Probe: EF3DV3 - SN4053; ConvF(1, 1, 1); Calibrated: 2022/7/27
- Sensor-Surface: (Fix Surface)
- Electronics: DAE4 Sn1311; Calibrated: 2022/8/25
- Phantom: HAC Test Arch with AMCC; Type: SD HAC P01 BA;
- Measurement SW: DASY52, Version 52.10 (3); SEMCAD X Version 14.6.13 (7474)

**E Scan - measurement distance from the probe sensor center to CD2600 = 15mm/Hearing Aid Compatibility Test at 15mm distance (41x181x1): Interpolated grid:**

dx=0.5000 mm, dy=0.5000 mm

Device Reference Point: 0, 0, -6.3 mm

Reference Value = 74.13 V/m; Power Drift = 0.12 dB

PMR not calibrated. PMF = 1.000 is applied.

E-field emissions = 88.37 V/m

Average value of Total=(87.59+88.37)/2 = 87.98 V/m

PMF scaled E-field

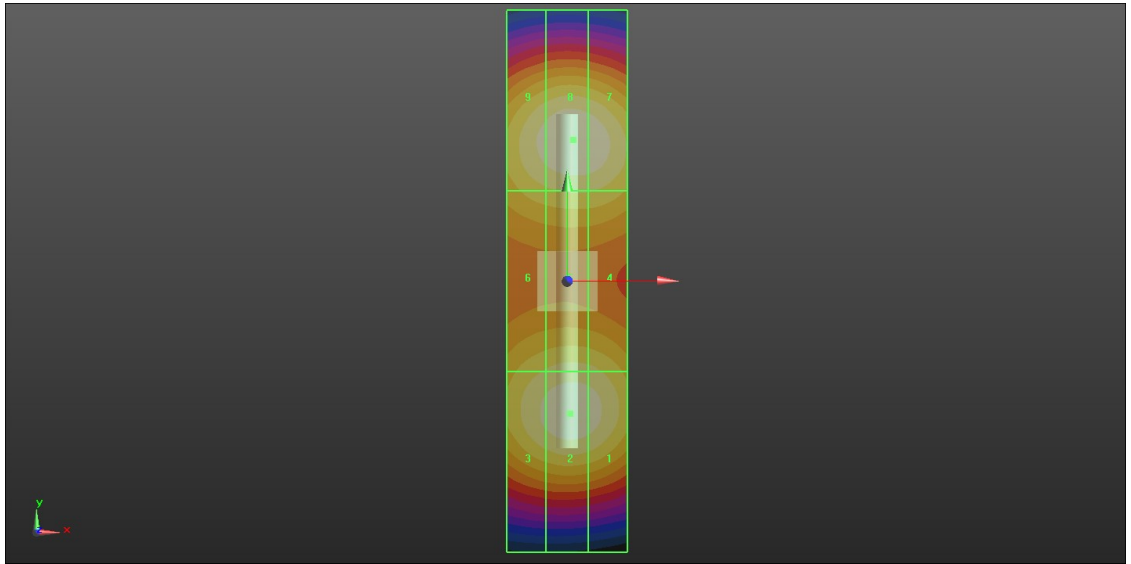
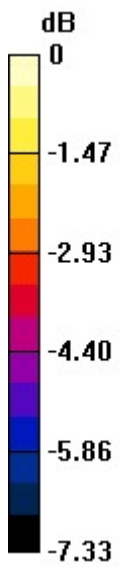
<b>Grid 1 M3</b> <b>86.28 V/m</b>	<b>Grid 2 M3</b> <b>87.59 V/m</b>	<b>Grid 3 M3</b> <b>84.69 V/m</b>
<b>Grid 4 M3</b> <b>80.73 V/m</b>	<b>Grid 5 M3</b> <b>81.28 V/m</b>	<b>Grid 6 M3</b> <b>79.44 V/m</b>
<b>Grid 7 M3</b> <b>87.65 V/m</b>	<b>Grid 8 M3</b> <b>88.37 V/m</b>	<b>Grid 9 M3</b> <b>85.63 V/m</b>

**Cursor:**

Total = 88.37 V/m

E Category: M3

Location: 1, 23.5, 9.7 mm



0 dB = 88.37 V/m = 39.01 dBV/m



**HAC\_E\_Dipole\_3500**

**DUT: HAC Dipole 3500 MHz**

Communication System: UID 0, CW (0); Frequency: 3500 MHz; Duty Cycle: 1:1

Medium: Air Medium parameters used:  $\sigma = 0 \text{ S/m}$ ,  $\epsilon_r = 1$ ;  $\rho = 0 \text{ kg/m}^3$

Ambient Temperature : 23.4 °C

**DASY5 Configuration:**

- Probe: EF3DV3 - SN4053; ConvF(1, 1, 1); Calibrated: 2022/7/27
- Sensor-Surface: (Fix Surface)
- Electronics: DAE4 Sn1311; Calibrated: 2022/8/25
- Phantom: HAC Test Arch with AMCC; Type: SD HAC P01 BA;
- Measurement SW: DASY52, Version 52.10 (3); SEMCAD X Version 14.6.13 (7474)

**E Scan - measurement distance from the probe sensor center to CD3500 = 15mm/Hearing Aid Compatibility Test at 15mm distance (41x121x1): Interpolated grid:**

$dx=0.5000 \text{ mm}$ ,  $dy=0.5000 \text{ mm}$

Device Reference Point: 0, 0, -6.3 mm

Reference Value = 38.75 V/m; Power Drift = 0.01 dB

PMR not calibrated. PMF = 1.000 is applied.

E-field emissions = 88.77 V/m

Average value of Total=(88.77+88.19)/2 = 88.48 V/m

PMF scaled E-field

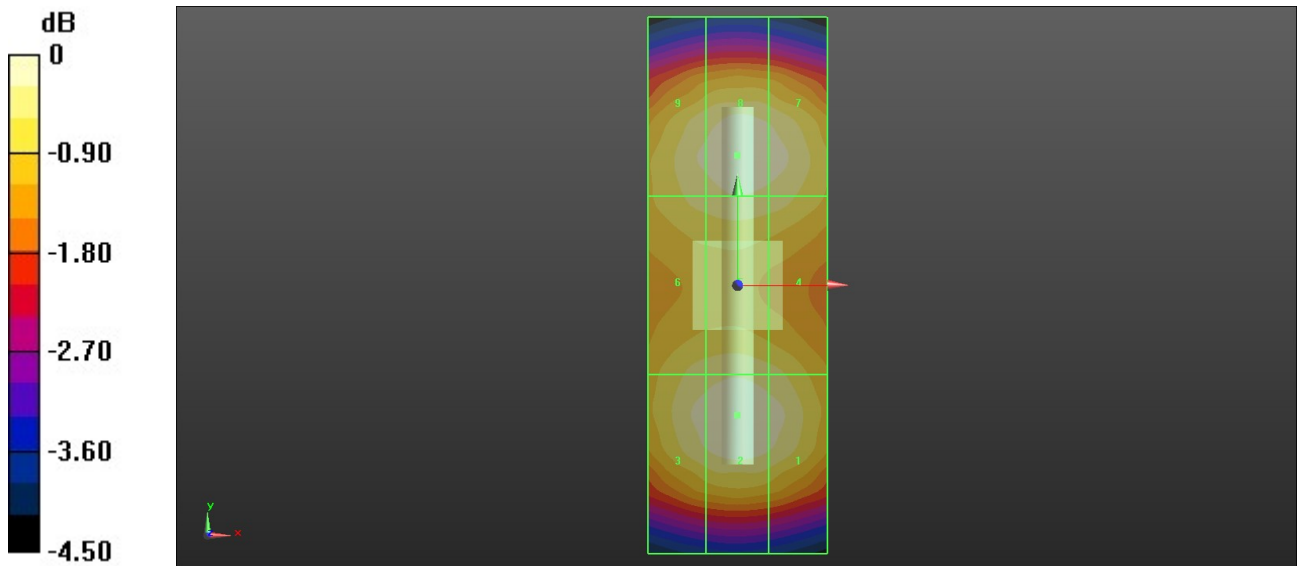
<b>Grid 1 M3</b> <b>87.58 V/m</b>	<b>Grid 2 M3</b> <b>88.77 V/m</b>	<b>Grid 3 M3</b> <b>87.33 V/m</b>
<b>Grid 4 M3</b> <b>85.03 V/m</b>	<b>Grid 5 M3</b> <b>85.75 V/m</b>	<b>Grid 6 M3</b> <b>84.78 V/m</b>
<b>Grid 7 M3</b> <b>87.59 V/m</b>	<b>Grid 8 M3</b> <b>88.19 V/m</b>	<b>Grid 9 M3</b> <b>86.47 V/m</b>

**Cursor:**

Total = 88.77 V/m

E Category: M3

Location: 0, -14.5, 9.7 mm



0 dB = 88.77 V/m = 39.26 dBV/m