

### System Check\_Head\_750MHz

**DUT: D750V3 - SN:1087**

Communication System: UID 0, CW (0); Frequency: 750 MHz; Duty Cycle: 1:1

Medium: HSL\_750 Medium parameters used:  $f = 750$  MHz;  $\sigma = 0.906$  S/m;  $\epsilon_r = 42.762$ ;  $\rho = 1000$  kg/m<sup>3</sup>

Ambient Temperature : 23.2 °C; Liquid Temperature : 22.6 °C

DASY5 Configuration:

- Probe: ES3DV3 - SN3293; ConvF(6.62, 6.62, 6.62); Calibrated: 2022/11/22
- Sensor-Surface: 3mm (Mechanical Surface Detection)
- Electronics: DAE4 Sn1303; Calibrated: 2022/11/24
- Phantom: Twin-SAM V5.0 (30deg probe tilt); Type: QD 000 P40 CD; Serial: TP-1842
- Measurement SW: DASY52, Version 52.10 (4); SEMCAD X Version 14.6.14 (7501)

**Pin=50mW/Area Scan (61x61x1):** Interpolated grid: dx=1.500 mm, dy=1.500 mm  
Maximum value of SAR (interpolated) = 0.458 W/kg

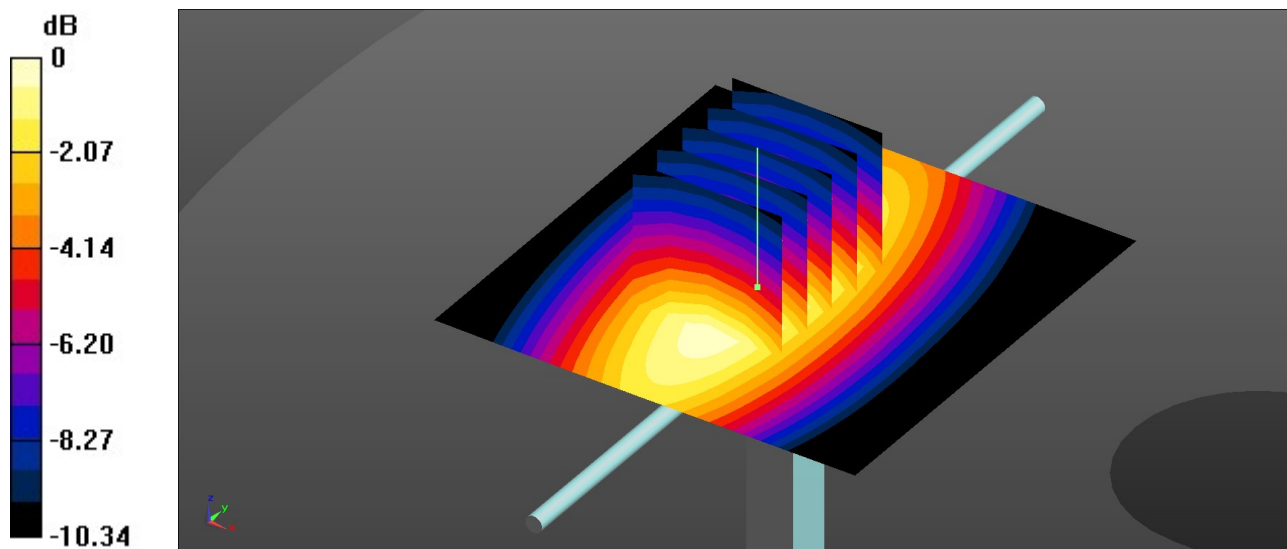
**Pin=50mW/Zoom Scan (5x5x7)/Cube 0:** Measurement grid: dx=8mm, dy=8mm, dz=5mm

Reference Value = 22.30 V/m; Power Drift = 0.11 dB

Peak SAR (extrapolated) = 0.595 W/kg

**SAR(1 g) = 0.398 W/kg; SAR(10 g) = 0.262 W/kg**

Maximum value of SAR (measured) = 0.465 W/kg



0 dB = 0.465 W/kg = -3.33 dBW/kg

### System Check\_Head\_835MHz

**DUT: D835V2 - SN:4d091**

Communication System: UID 0, CW (0); Frequency: 835 MHz; Duty Cycle: 1:1  
Medium: HSL\_835 Medium parameters used:  $f = 835 \text{ MHz}$ ;  $\sigma = 0.935 \text{ S/m}$ ;  $\epsilon_r = 42.525$ ;  $\rho = 1000 \text{ kg/m}^3$

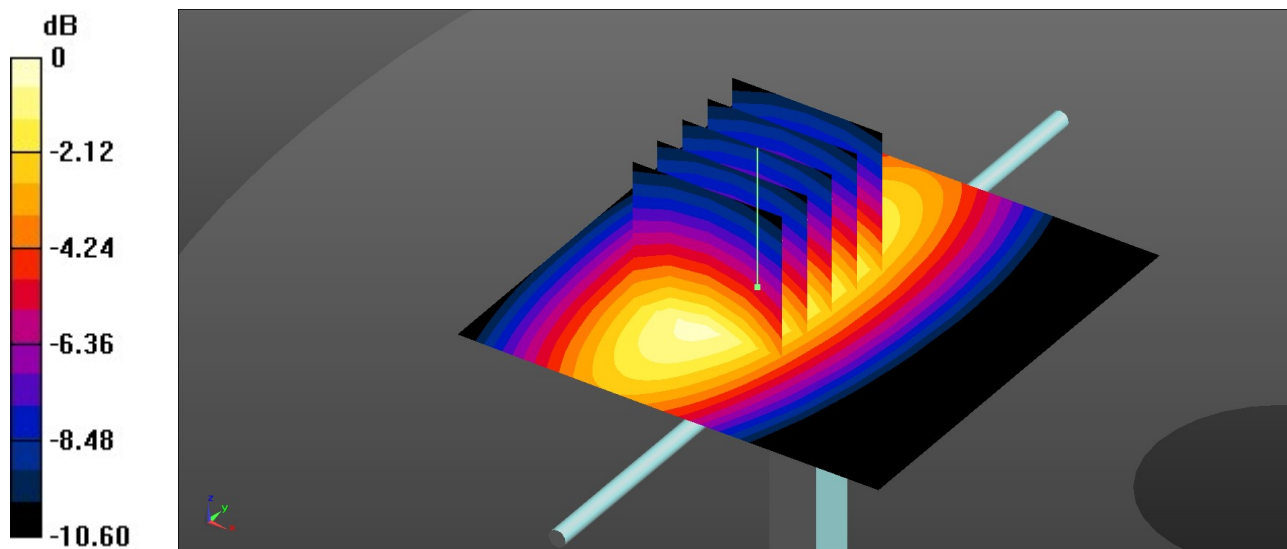
Ambient Temperature : 23.3 °C; Liquid Temperature : 22.7 °C

#### DASY5 Configuration:

- Probe: ES3DV3 - SN3293; ConvF(6.39, 6.39, 6.39); Calibrated: 2022/11/22
- Sensor-Surface: 3mm (Mechanical Surface Detection)
- Electronics: DAE4 Sn1303; Calibrated: 2022/11/24
- Phantom: Twin-SAM V5.0 (30deg probe tilt); Type: QD 000 P40 CD; Serial: TP-1842
- Measurement SW: DASY52, Version 52.10 (4); SEMCAD X Version 14.6.14 (7501)

**Pin=50mW/Area Scan (61x61x1):** Interpolated grid:  $dx=1.500 \text{ mm}$ ,  $dy=1.500 \text{ mm}$   
Maximum value of SAR (interpolated) = 0.549 W/kg

**Pin=50mW/Zoom Scan (5x5x7)/Cube 0:** Measurement grid:  $dx=8\text{mm}$ ,  $dy=8\text{mm}$ ,  $dz=5\text{mm}$   
Reference Value = 22.06 V/m; Power Drift = 0.03 dB  
Peak SAR (extrapolated) = 0.703 W/kg  
**SAR(1 g) = 0.478 W/kg; SAR(10 g) = 0.313 W/kg**  
Maximum value of SAR (measured) = 0.559 W/kg



0 dB = 0.559 W/kg = -2.53 dBW/kg

### System Check\_Head\_1750MHz

**DUT: D1750V2 - SN:1090**

Communication System: UID 0, CW (0); Frequency: 1750 MHz;Duty Cycle: 1:1  
Medium: HSL\_1750 Medium parameters used:  $f = 1750$  MHz;  $\sigma = 1.37$  S/m;  $\epsilon_r = 41.29$ ;  $\rho = 1000$  kg/m<sup>3</sup>

Ambient Temperature : 23.1 °C; Liquid Temperature : 22.7 °C

#### DASY5 Configuration:

- Probe: ES3DV3 - SN3293; ConvF(5.42, 5.42, 5.42); Calibrated: 2022/11/22
- Sensor-Surface: 3mm (Mechanical Surface Detection)
- Electronics: DAE4 Sn1303; Calibrated: 2022/11/24
- Phantom: Twin-SAM V5.0 (30deg probe tilt); Type: QD 000 P40 CD; Serial: TP-1842
- Measurement SW: DASY52, Version 52.10 (4); SEMCAD X Version 14.6.14 (7501)

**Pin=50mW/Area Scan (61x61x1):** Interpolated grid: dx=1.500 mm, dy=1.500 mm  
Maximum value of SAR (interpolated) = 2.34 W/kg

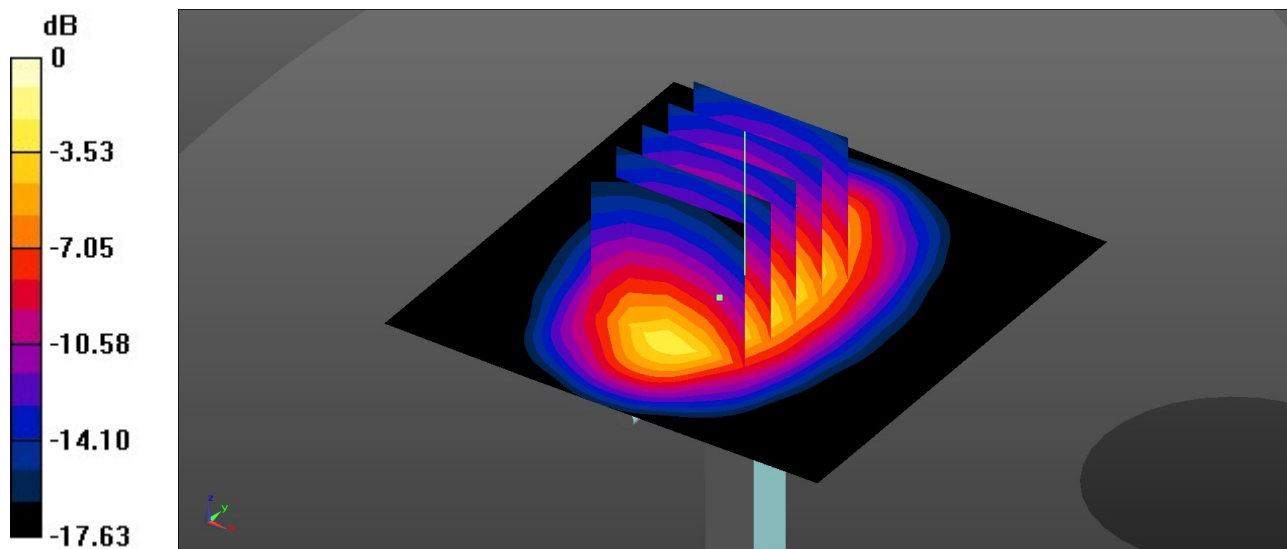
**Pin=50mW/Zoom Scan (5x5x7)/Cube 0:** Measurement grid: dx=8mm, dy=8mm, dz=5mm

Reference Value = 42.10 V/m; Power Drift = 0.05 dB

Peak SAR (extrapolated) = 3.22 W/kg

**SAR(1 g) = 1.81 W/kg; SAR(10 g) = 0.966 W/kg**

Maximum value of SAR (measured) = 2.25 W/kg



0 dB = 2.25 W/kg = 3.52 dBW/kg

### System Check\_Head\_1900MHz

**DUT: D1900V2 - SN:5d182**

Communication System: UID 0, CW (0); Frequency: 1900 MHz; Duty Cycle: 1:1  
Medium: HSL\_1900 Medium parameters used:  $f = 1900$  MHz;  $\sigma = 1.427$  S/m;  $\epsilon_r = 38.725$ ;  $\rho = 1000$  kg/m<sup>3</sup>

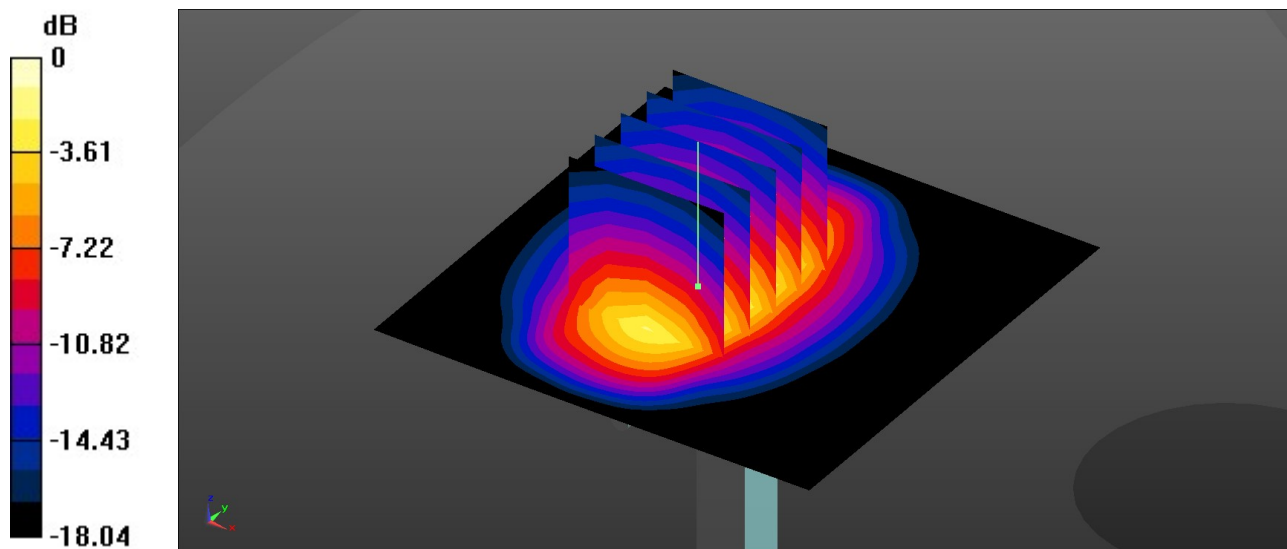
Ambient Temperature : 23.2 °C; Liquid Temperature : 22.7 °C

#### DASY5 Configuration:

- Probe: ES3DV3 - SN3293; ConvF(5.18, 5.18, 5.18); Calibrated: 2022/11/22
- Sensor-Surface: 3mm (Mechanical Surface Detection)
- Electronics: DAE4 Sn1303; Calibrated: 2022/11/24
- Phantom: Twin-SAM V5.0 (30deg probe tilt); Type: QD 000 P40 CD; Serial: TP-1842
- Measurement SW: DASY52, Version 52.10 (4); SEMCAD X Version 14.6.14 (7501)

**Pin=50mW/Area Scan (61x61x1):** Interpolated grid: dx=1.500 mm, dy=1.500 mm  
Maximum value of SAR (interpolated) = 2.62 W/kg

**Pin=50mW/Zoom Scan (5x5x7)/Cube 0:** Measurement grid: dx=8mm, dy=8mm, dz=5mm  
Reference Value = 22.37 V/m; Power Drift = 0.07 dB  
Peak SAR (extrapolated) = 3.76 W/kg  
**SAR(1 g) = 2.03 W/kg; SAR(10 g) = 1.05 W/kg**  
Maximum value of SAR (measured) = 2.59 W/kg



0 dB = 2.59 W/kg = 4.13 dBW/kg

### System Check\_Head\_2300MHz

**DUT: D2300V2 - SN:1055**

Communication System: UID 0, CW (0); Frequency: 2300 MHz; Duty Cycle: 1:1  
Medium: HSL\_2300 Medium parameters used:  $f = 2300$  MHz;  $\sigma = 1.719$  S/m;  $\epsilon_r = 39.465$ ;  $\rho = 1000$  kg/m<sup>3</sup>

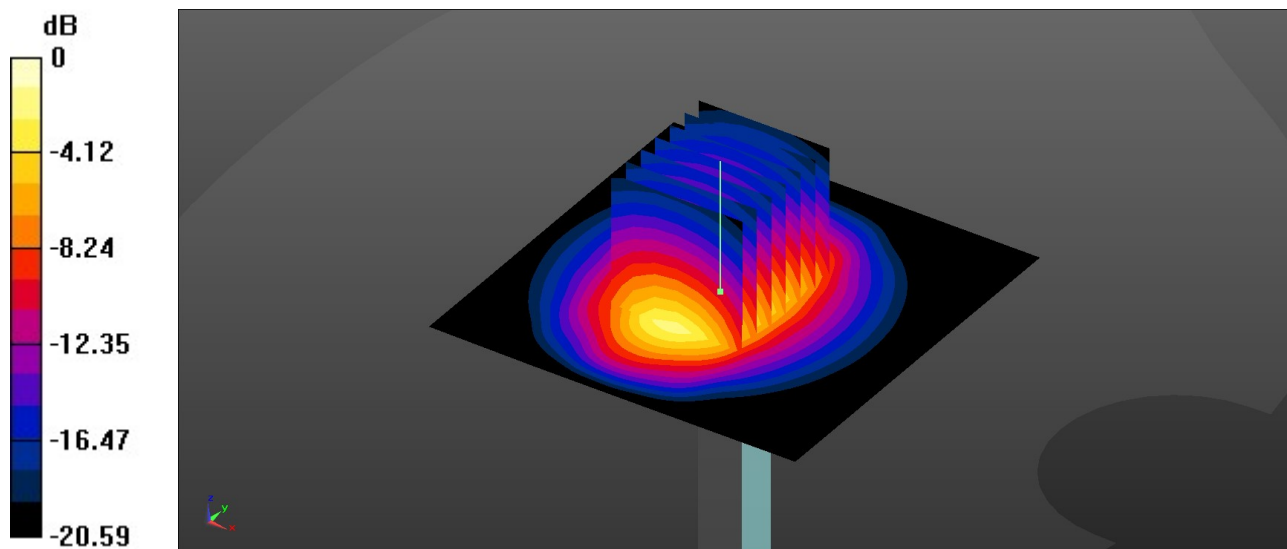
Ambient Temperature : 23.4 °C; Liquid Temperature : 22.8 °C

#### DASY5 Configuration:

- Probe: ES3DV3 - SN3293; ConvF(4.92, 4.92, 4.92); Calibrated: 2022/11/22
- Sensor-Surface: 3mm (Mechanical Surface Detection)
- Electronics: DAE4 Sn1303; Calibrated: 2022/11/24
- Phantom: Twin-SAM V5.0 (30deg probe tilt); Type: QD 000 P40 CD; Serial: TP-1842
- Measurement SW: DASY52, Version 52.10 (4); SEMCAD X Version 14.6.14 (7501)

**Pin=50mW/Area Scan (71x71x1):** Interpolated grid: dx=1.200 mm, dy=1.200 mm  
Maximum value of SAR (interpolated) = 3.30 W/kg

**Pin=50mW/Zoom Scan (7x7x7)/Cube 0:** Measurement grid: dx=5mm, dy=5mm, dz=5mm  
Reference Value = 43.20 V/m; Power Drift = 0.09 dB  
Peak SAR (extrapolated) = 4.93 W/kg  
**SAR(1 g) = 2.46 W/kg; SAR(10 g) = 1.17 W/kg**  
Maximum value of SAR (measured) = 3.21 W/kg



0 dB = 3.21 W/kg = 5.07 dBW/kg

### System Check\_Head\_2600MHz

**DUT: D2600V2 - SN:1061**

Communication System: UID 0, CW (0); Frequency: 2600 MHz; Duty Cycle: 1:1  
Medium: HSL\_2600 Medium parameters used:  $f = 2600$  MHz;  $\sigma = 1.931$  S/m;  $\epsilon_r = 39.054$ ;  $\rho = 1000$  kg/m<sup>3</sup>

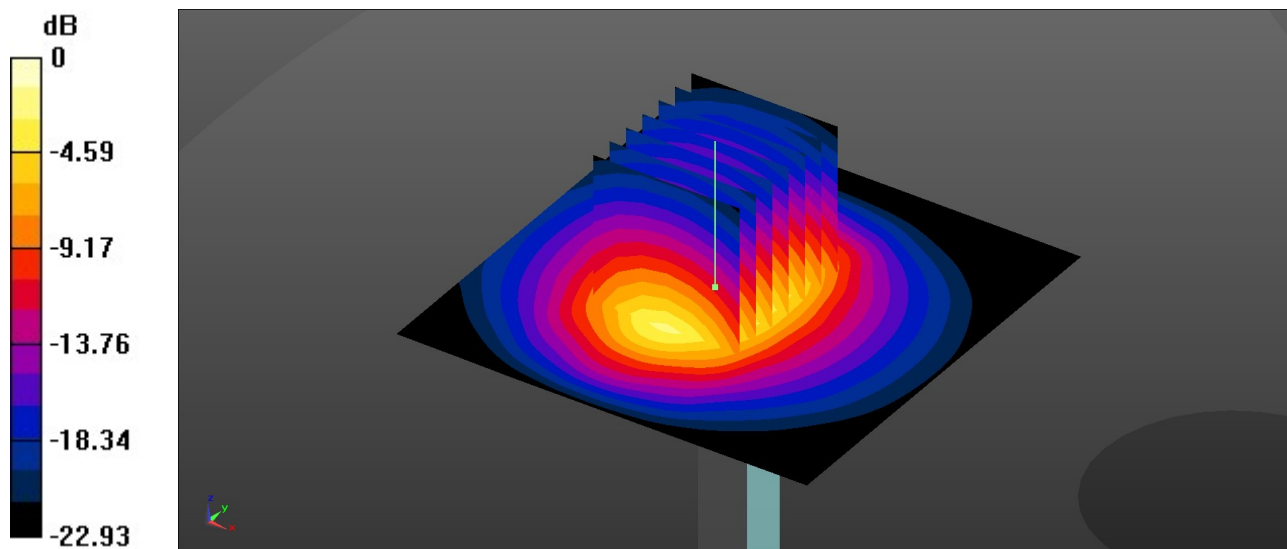
Ambient Temperature : 23.2 °C; Liquid Temperature : 22.9 °C

#### DASY5 Configuration:

- Probe: ES3DV3 - SN3293; ConvF(4.27, 4.27, 4.27); Calibrated: 2022/11/22
- Sensor-Surface: 3mm (Mechanical Surface Detection)
- Electronics: DAE4 Sn1303; Calibrated: 2022/11/24
- Phantom: Twin-SAM V5.0 (30deg probe tilt); Type: QD 000 P40 CD; Serial: TP-1842
- Measurement SW: DASY52, Version 52.10 (4); SEMCAD X Version 14.6.14 (7501)

**Pin=50mW/Area Scan (71x71x1):** Interpolated grid: dx=1.200 mm, dy=1.200 mm  
Maximum value of SAR (interpolated) = 3.57 W/kg

**Pin=50mW/Zoom Scan (7x7x7)/Cube 0:** Measurement grid: dx=5mm, dy=5mm, dz=5mm  
Reference Value = 40.87 V/m; Power Drift = 0.04 dB  
Peak SAR (extrapolated) = 5.43 W/kg  
**SAR(1 g) = 2.7 W/kg; SAR(10 g) = 1.18 W/kg**  
Maximum value of SAR (measured) = 3.45 W/kg



0 dB = 3.45 W/kg = 5.38 dBW/kg

### System Check\_Head\_3500MHz

**DUT: D3500V2 - SN:1037**

Communication System: UID 0, CW (0); Frequency: 3500 MHz; Duty Cycle: 1:1  
Medium: HSL\_3500 Medium parameters used:  $f = 3500$  MHz;  $\sigma = 2.786$  S/m;  $\epsilon_r = 38.813$ ;  $\rho = 1000$  kg/m<sup>3</sup>

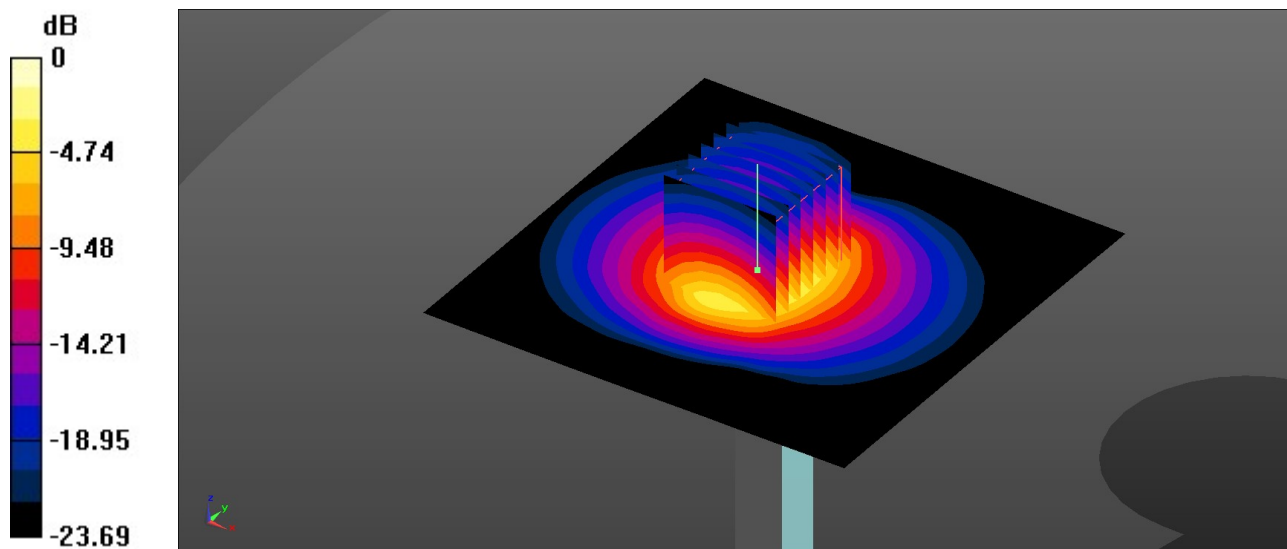
Ambient Temperature : 23.3 °C; Liquid Temperature : 22.7 °C

#### DASY5 Configuration:

- Probe: EX3DV4 - SN3578; ConvF(7.22, 7.22, 7.22); Calibrated: 2022/6/23
- Sensor-Surface: 1.4mm (Mechanical Surface Detection)
- Electronics: DAE4 Sn1303; Calibrated: 2022/11/24
- Phantom: Twin-SAM V5.0 (30deg probe tilt); Type: QD 000 P40 CD; Serial: TP-1842
- Measurement SW: DASY52, Version 52.10 (4); SEMCAD X Version 14.6.14 (7501)

**Pin=50mW/Area Scan (91x91x1):** Interpolated grid: dx=1.000 mm, dy=1.000 mm  
Maximum value of SAR (interpolated) = 6.17 W/kg

**Pin=50mW/Zoom Scan (7x7x7)/Cube 0:** Measurement grid: dx=4mm, dy=4mm, dz=1.4mm  
Reference Value = 49.39 V/m; Power Drift = -0.07 dB  
Peak SAR (extrapolated) = 8.35 W/kg  
**SAR(1 g) = 3.13 W/kg; SAR(10 g) = 1.2 W/kg**  
Maximum value of SAR (measured) = 6.12 W/kg



0 dB = 6.12 W/kg = 7.87 dBW/kg

### System Check\_Head\_3700MHz

**DUT: D3700V2 - SN:1008**

Communication System: UID 0, CW (0); Frequency: 3700 MHz; Duty Cycle: 1:1  
Medium: HSL\_3700 Medium parameters used:  $f = 3700$  MHz;  $\sigma = 2.995$  S/m;  $\epsilon_r = 38.682$ ;  $\rho = 1000$  kg/m<sup>3</sup>

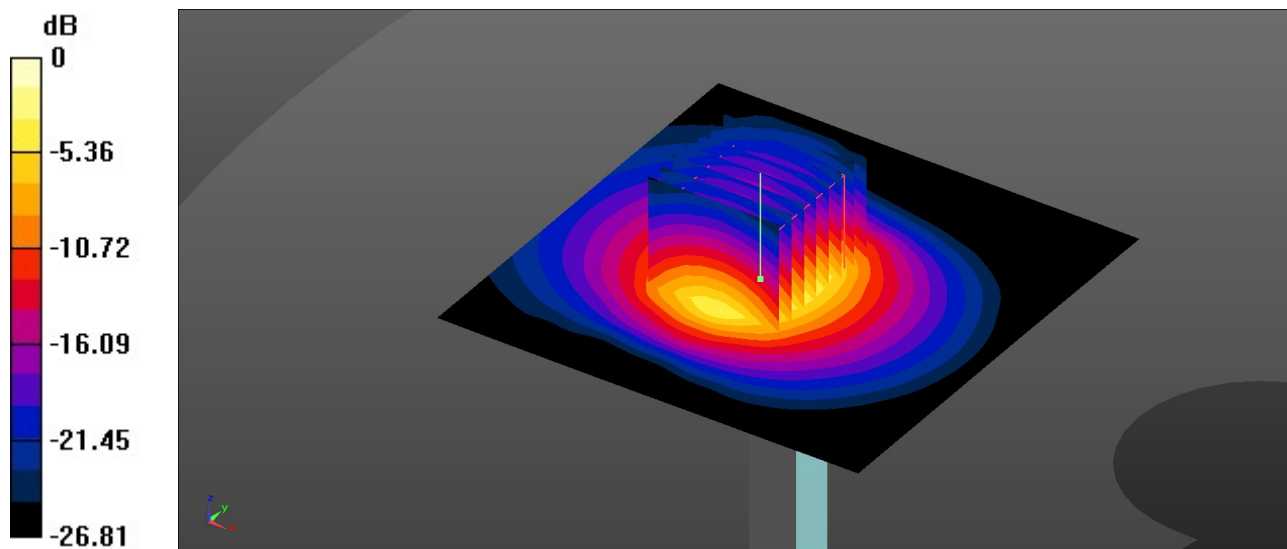
Ambient Temperature : 23.2 °C; Liquid Temperature : 22.8 °C

#### DASY5 Configuration:

- Probe: EX3DV4 - SN3578; ConvF(7.12, 7.12, 7.12); Calibrated: 2022/6/23
- Sensor-Surface: 1.4mm (Mechanical Surface Detection)
- Electronics: DAE4 Sn1303; Calibrated: 2022/11/24
- Phantom: Twin-SAM V5.0 (30deg probe tilt); Type: QD 000 P40 CD; Serial: TP-1842
- Measurement SW: DASY52, Version 52.10 (4); SEMCAD X Version 14.6.14 (7501)

**Pin=50mW/Area Scan (91x91x1):** Interpolated grid: dx=1.000 mm, dy=1.000 mm  
Maximum value of SAR (interpolated) = 6.82 W/kg

**Pin=50mW/Zoom Scan (8x8x7)/Cube 0:** Measurement grid: dx=4mm, dy=4mm, dz=1.4mm  
Reference Value = 44.68 V/m; Power Drift = 0.01 dB  
Peak SAR (extrapolated) = 9.55 W/kg  
**SAR(1 g) = 3.39 W/kg; SAR(10 g) = 1.26 W/kg**  
Maximum value of SAR (measured) = 6.80 W/kg



0 dB = 6.80 W/kg = 8.33 dBW/kg



### System Check\_Head\_3900MHz

**DUT: D3900V2 - SN:1048**

Communication System: UID 0, CW (0); Frequency: 3900 MHz; Duty Cycle: 1:1

Medium: HSL\_3900 Medium parameters used:  $f = 3900$  MHz;  $\sigma = 3.174$  S/m;  $\epsilon_r = 38.23$ ;  $\rho = 1000$  kg/m<sup>3</sup>

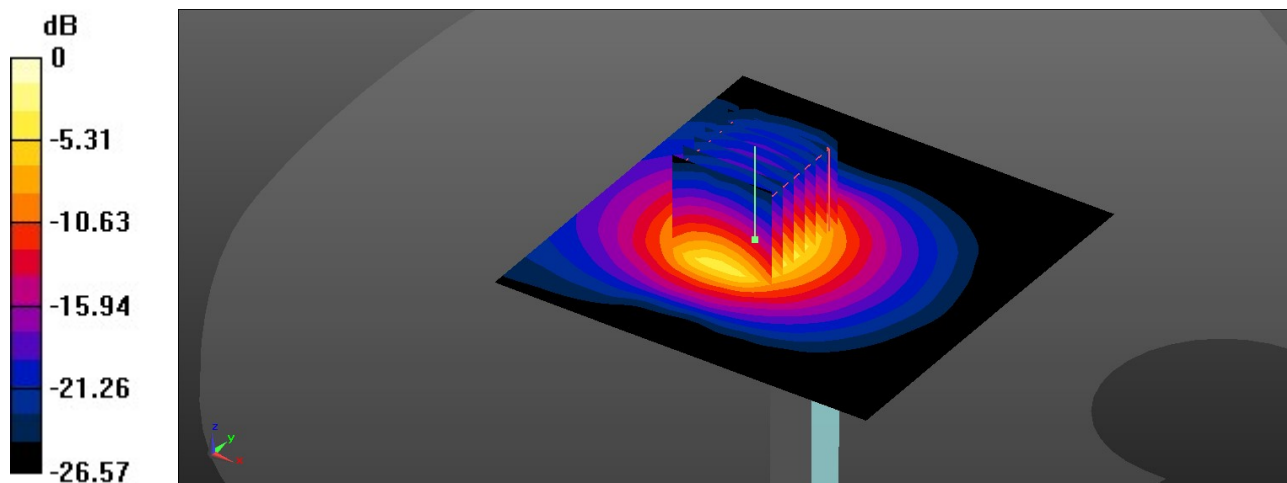
Ambient Temperature : 23.3 °C; Liquid Temperature : 22.8 °C

DASY5 Configuration:

- Probe: EX3DV4 - SN3578; ConvF(6.98, 6.98, 6.98); Calibrated: 2022/6/23
- Sensor-Surface: 1.4mm (Mechanical Surface Detection)
- Electronics: DAE4 Sn1303; Calibrated: 2022/11/24
- Phantom: Twin-SAM V5.0 (30deg probe tilt); Type: QD 000 P40 CD; Serial: TP-1842
- Measurement SW: DASY52, Version 52.10 (4); SEMCAD X Version 14.6.14 (7501)

**Pin=50mW/Area Scan (91x91x1):** Interpolated grid: dx=1.000 mm, dy=1.000 mm  
Maximum value of SAR (interpolated) = 6.70 W/kg

**Pin=50mW/Zoom Scan (7x7x7)/Cube 0:** Measurement grid: dx=4mm, dy=4mm, dz=1.4mm  
Reference Value = 27.60 V/m; Power Drift = 0.04 dB  
Peak SAR (extrapolated) = 9.74 W/kg  
**SAR(1 g) = 3.27 W/kg; SAR(10 g) = 1.16 W/kg**  
Maximum value of SAR (measured) = 6.82 W/kg



0 dB = 6.82 W/kg = 8.34 dBW/kg

### System Check\_Head\_750MHz

**DUT: D750V3 - SN:1087**

Communication System: UID 0, CW (0); Frequency: 750 MHz; Duty Cycle: 1:1

Medium: HSL\_750 Medium parameters used:  $f = 750$  MHz;  $\sigma = 0.888$  S/m;  $\epsilon_r = 42.264$ ;  $\rho = 1000$  kg/m<sup>3</sup>

Ambient Temperature : 23.3 °C; Liquid Temperature : 22.6 °C

DASY5 Configuration:

- Probe: ES3DV3 - SN3293; ConvF(6.62, 6.62, 6.62); Calibrated: 2022/11/22
- Sensor-Surface: 3mm (Mechanical Surface Detection)
- Electronics: DAE4 Sn1303; Calibrated: 2022/11/24
- Phantom: Twin-SAM V5.0 (30deg probe tilt); Type: QD 000 P40 CD; Serial: TP-1842
- Measurement SW: DASY52, Version 52.10 (4); SEMCAD X Version 14.6.14 (7501)

**Pin=50mW/Area Scan (61x61x1):** Interpolated grid: dx=1.500 mm, dy=1.500 mm  
Maximum value of SAR (interpolated) = 0.451 W/kg

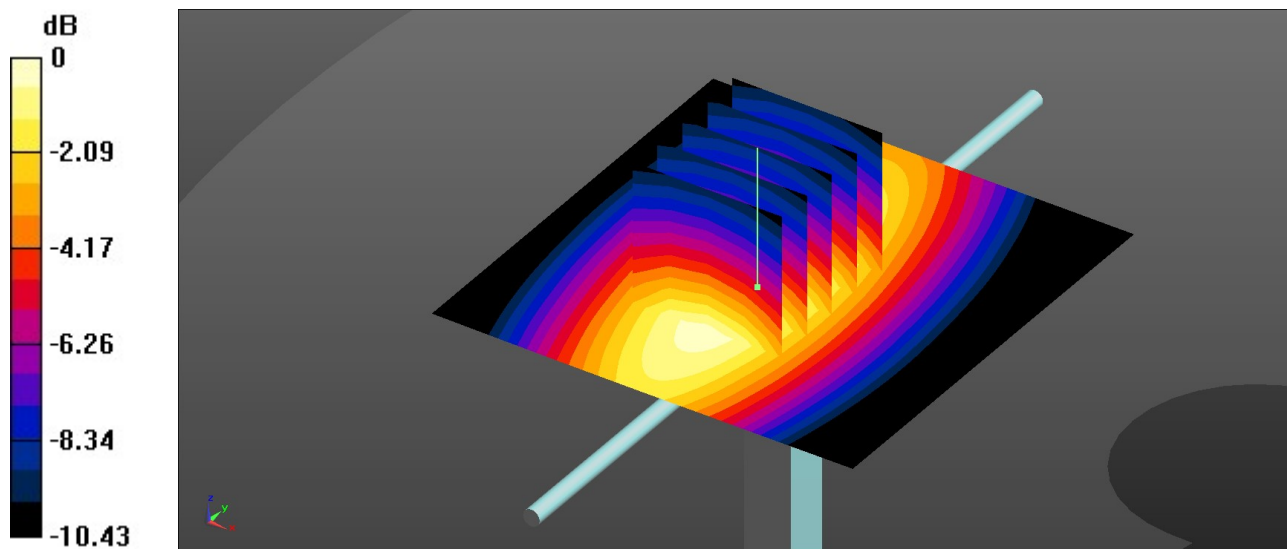
**Pin=50mW/Zoom Scan (5x5x7)/Cube 0:** Measurement grid: dx=8mm, dy=8mm, dz=5mm

Reference Value = 22.40 V/m; Power Drift = 0.07 dB

Peak SAR (extrapolated) = 0.587 W/kg

**SAR(1 g) = 0.396 W/kg; SAR(10 g) = 0.270 W/kg**

Maximum value of SAR (measured) = 0.456 W/kg



0 dB = 0.456 W/kg = -3.41 dBW/kg

### System Check\_Head\_835MHz

**DUT: D835V2 - SN:4d091**

Communication System: UID 0, CW (0); Frequency: 835 MHz; Duty Cycle: 1:1

Medium: HSL\_835 Medium parameters used:  $f = 835 \text{ MHz}$ ;  $\sigma = 0.911 \text{ S/m}$ ;  $\epsilon_r = 41.93$ ;  $\rho = 1000 \text{ kg/m}^3$

Ambient Temperature : 23.3 °C; Liquid Temperature : 22.7 °C

DASY5 Configuration:

- Probe: ES3DV3 - SN3293; ConvF(6.39, 6.39, 6.39); Calibrated: 2022/11/22
- Sensor-Surface: 3mm (Mechanical Surface Detection)
- Electronics: DAE4 Sn1303; Calibrated: 2022/11/24
- Phantom: Twin-SAM V5.0 (30deg probe tilt); Type: QD 000 P40 CD; Serial: TP-1842
- Measurement SW: DASY52, Version 52.10 (4); SEMCAD X Version 14.6.14 (7501)

**Pin=50mW/Area Scan (61x61x1):** Interpolated grid:  $dx=1.500 \text{ mm}$ ,  $dy=1.500 \text{ mm}$   
Maximum value of SAR (interpolated) = 0.538 W/kg

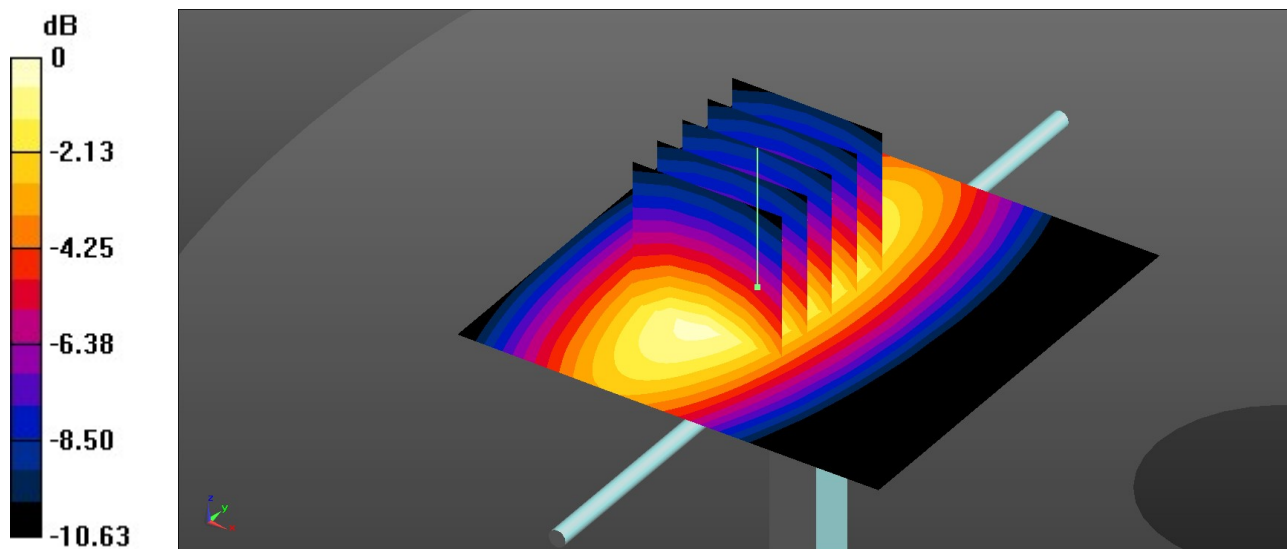
**Pin=50mW/Zoom Scan (5x5x7)/Cube 0:** Measurement grid:  $dx=8\text{mm}$ ,  $dy=8\text{mm}$ ,  $dz=5\text{mm}$

Reference Value = 21.97 V/m; Power Drift = 0.07 dB

Peak SAR (extrapolated) = 0.686 W/kg

**SAR(1 g) = 0.464 W/kg; SAR(10 g) = 0.304 W/kg**

Maximum value of SAR (measured) = 0.544 W/kg



0 dB = 0.544 W/kg = -2.64 dBW/kg

### System Check\_Head\_1750MHz

**DUT: D1750V2 - SN:1090**

Communication System: UID 0, CW (0); Frequency: 1750 MHz; Duty Cycle: 1:1

Medium: HSL\_1750 Medium parameters used:  $f = 1750$  MHz;  $\sigma = 1.316$  S/m;  $\epsilon_r = 40.209$ ;  $\rho = 1000$  kg/m<sup>3</sup>

Ambient Temperature : 23.3 °C; Liquid Temperature : 22.6 °C

DASY5 Configuration:

- Probe: ES3DV3 - SN3293; ConvF(5.42, 5.42, 5.42); Calibrated: 2022/11/22
- Sensor-Surface: 3mm (Mechanical Surface Detection)
- Electronics: DAE4 Sn1303; Calibrated: 2022/11/24
- Phantom: Twin-SAM V5.0 (30deg probe tilt); Type: QD 000 P40 CD; Serial: TP-1842
- Measurement SW: DASY52, Version 52.10 (4); SEMCAD X Version 14.6.14 (7501)

**Pin=50mW/Area Scan (61x61x1):** Interpolated grid: dx=1.500 mm, dy=1.500 mm  
Maximum value of SAR (interpolated) = 2.24 W/kg

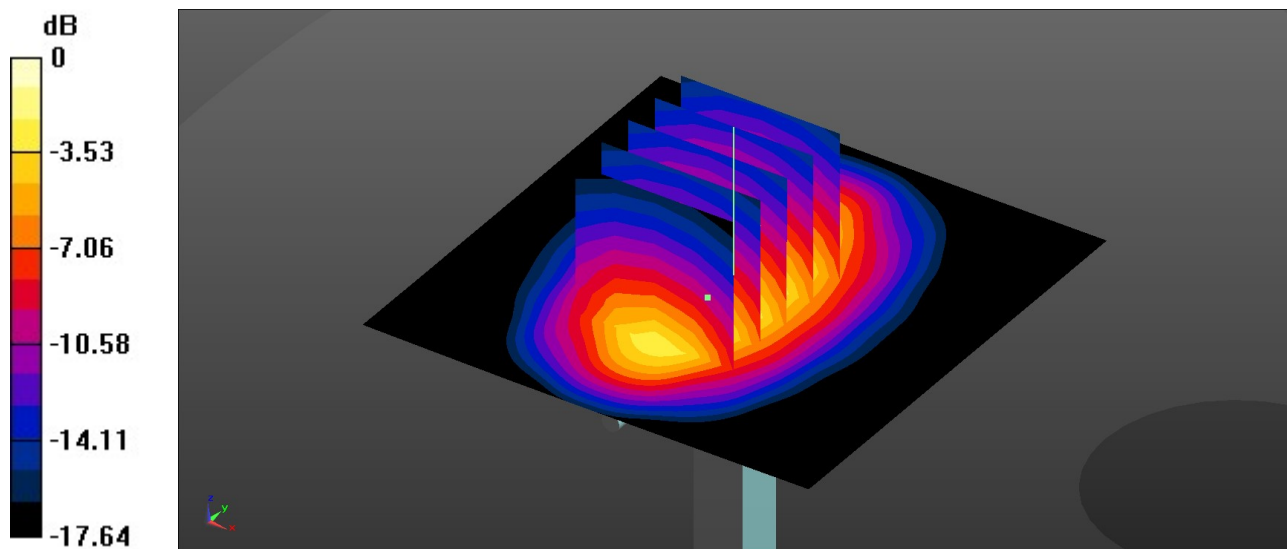
**Pin=50mW/Zoom Scan (5x5x7)/Cube 0:** Measurement grid: dx=8mm, dy=8mm, dz=5mm

Reference Value = 41.98 V/m; Power Drift = 0.05 dB

Peak SAR (extrapolated) = 3.09 W/kg

**SAR(1 g) = 1.74 W/kg; SAR(10 g) = 0.926 W/kg**

Maximum value of SAR (measured) = 2.16 W/kg



0 dB = 2.16 W/kg = 3.34 dBW/kg

### System Check\_Head\_1900MHz

**DUT: D1900V2 - SN:5d182**

Communication System: UID 0, CW (0); Frequency: 1900 MHz; Duty Cycle: 1:1

Medium: HSL\_1900 Medium parameters used:  $f = 1900$  MHz;  $\sigma = 1.406$  S/m;  $\epsilon_r = 40.194$ ;  $\rho = 1000$  kg/m<sup>3</sup>

Ambient Temperature : 23.2 °C; Liquid Temperature : 22.7 °C

DASY5 Configuration:

- Probe: ES3DV3 - SN3293; ConvF(5.18, 5.18, 5.18); Calibrated: 2022/11/22
- Sensor-Surface: 3mm (Mechanical Surface Detection)
- Electronics: DAE4 Sn1303; Calibrated: 2022/11/24
- Phantom: Twin-SAM V5.0 (30deg probe tilt); Type: QD 000 P40 CD; Serial: TP-1842
- Measurement SW: DASY52, Version 52.10 (4); SEMCAD X Version 14.6.14 (7501)

**Pin=50mW/Area Scan (61x61x1):** Interpolated grid: dx=1.500 mm, dy=1.500 mm  
Maximum value of SAR (interpolated) = 2.56 W/kg

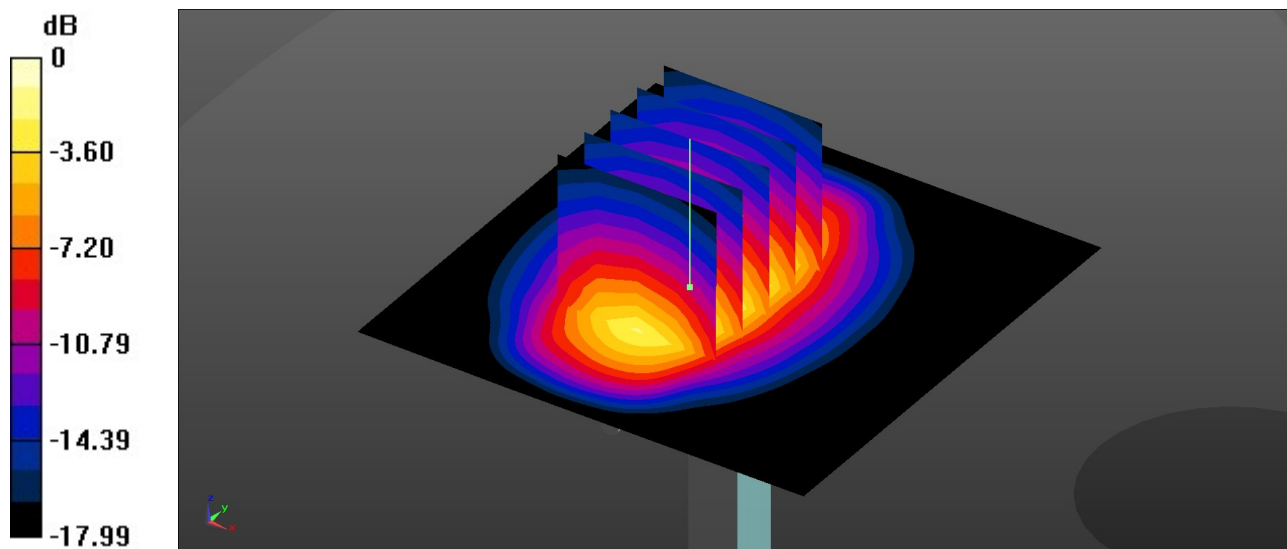
**Pin=50mW/Zoom Scan (5x5x7)/Cube 0:** Measurement grid: dx=8mm, dy=8mm, dz=5mm

Reference Value = 22.33 V/m; Power Drift = 0.09 dB

Peak SAR (extrapolated) = 3.67 W/kg

**SAR(1 g) = 1.99 W/kg; SAR(10 g) = 1.03 W/kg**

Maximum value of SAR (measured) = 2.52 W/kg



0 dB = 2.52 W/kg = 4.01 dBW/kg

### System Check\_Head\_2300MHz

**DUT: D2300V2 - SN:1055**

Communication System: UID 0, CW (0); Frequency: 2300 MHz; Duty Cycle: 1:1  
Medium: HSL\_2300 Medium parameters used:  $f = 2300$  MHz;  $\sigma = 1.652$  S/m;  $\epsilon_r = 39.636$ ;  $\rho = 1000$  kg/m<sup>3</sup>

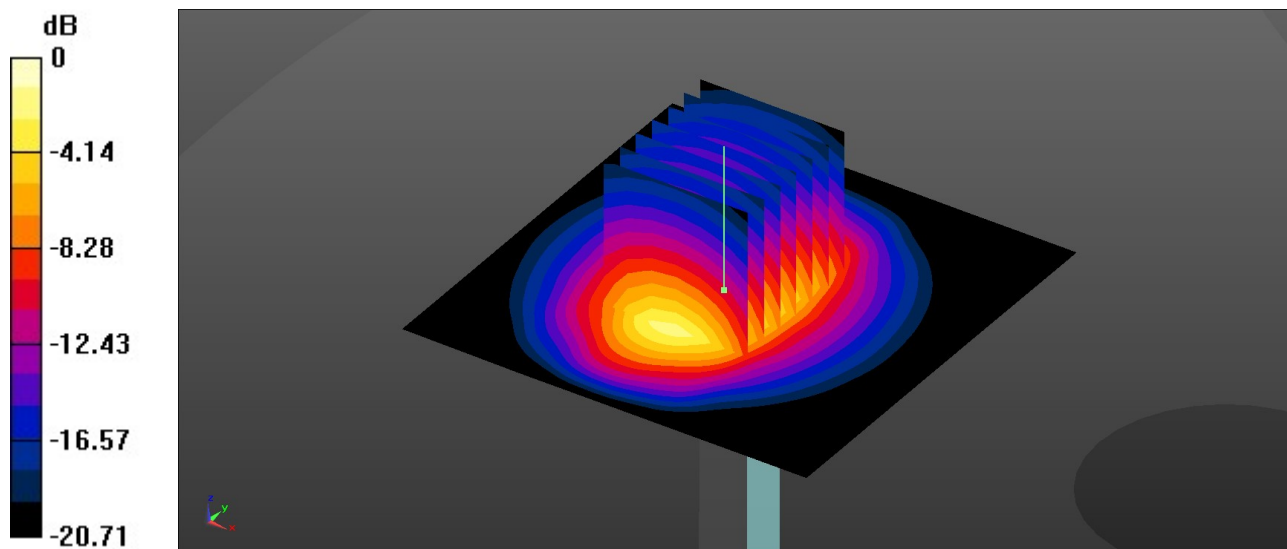
Ambient Temperature : 23.4 °C; Liquid Temperature : 22.7 °C

#### DASY5 Configuration:

- Probe: ES3DV3 - SN3293; ConvF(4.92, 4.92, 4.92); Calibrated: 2022/11/22
- Sensor-Surface: 3mm (Mechanical Surface Detection)
- Electronics: DAE4 Sn1303; Calibrated: 2022/11/24
- Phantom: Twin-SAM V5.0 (30deg probe tilt); Type: QD 000 P40 CD; Serial: TP-1842
- Measurement SW: DASY52, Version 52.10 (4); SEMCAD X Version 14.6.14 (7501)

**Pin=50mW/Area Scan (71x71x1):** Interpolated grid: dx=1.200 mm, dy=1.200 mm  
Maximum value of SAR (interpolated) = 3.17 W/kg

**Pin=50mW/Zoom Scan (7x7x7)/Cube 0:** Measurement grid: dx=5mm, dy=5mm, dz=5mm  
Reference Value = 43.14 V/m; Power Drift = 0.07 dB  
Peak SAR (extrapolated) = 4.73 W/kg  
**SAR(1 g) = 2.36 W/kg; SAR(10 g) = 1.13 W/kg**  
Maximum value of SAR (measured) = 3.09 W/kg



0 dB = 3.09 W/kg = 4.90 dBW/kg

### System Check\_Head\_2600MHz

**DUT: D2600V2 - SN:1061**

Communication System: UID 0, CW (0); Frequency: 2600 MHz; Duty Cycle: 1:1

Medium: HSL\_2600 Medium parameters used:  $f = 2600$  MHz;  $\sigma = 2.03$  S/m;  $\epsilon_r = 40.346$ ;  $\rho = 1000$  kg/m<sup>3</sup>

Ambient Temperature : 23.4 °C; Liquid Temperature : 22.8 °C

DASY5 Configuration:

- Probe: ES3DV3 - SN3293; ConvF(4.27, 4.27, 4.27); Calibrated: 2022/11/22
- Sensor-Surface: 3mm (Mechanical Surface Detection)
- Electronics: DAE4 Sn1303; Calibrated: 2022/11/24
- Phantom: Twin-SAM V5.0 (30deg probe tilt); Type: QD 000 P40 CD; Serial: TP-1842
- Measurement SW: DASY52, Version 52.10 (4); SEMCAD X Version 14.6.14 (7501)

**Pin=50mW/Area Scan (71x71x1):** Interpolated grid: dx=1.200 mm, dy=1.200 mm  
Maximum value of SAR (interpolated) = 3.75 W/kg

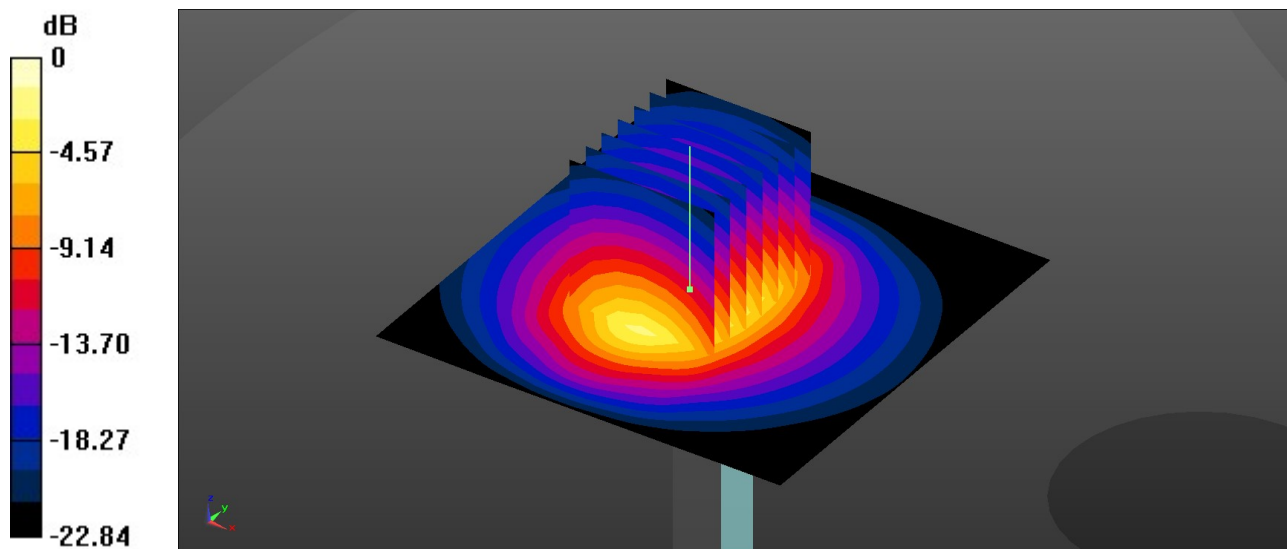
**Pin=50mW/Zoom Scan (7x7x7)/Cube 0:** Measurement grid: dx=5mm, dy=5mm, dz=5mm

Reference Value = 40.92 V/m; Power Drift = 0.04 dB

Peak SAR (extrapolated) = 5.69 W/kg

**SAR(1 g) = 2.73 W/kg; SAR(10 g) = 1.24 W/kg**

Maximum value of SAR (measured) = 3.63 W/kg



0 dB = 3.63 W/kg = 5.60 dBW/kg

### System Check\_Head\_3500MHz

**DUT: D3500V2 - SN:1037**

Communication System: UID 0, CW (0); Frequency: 3500 MHz; Duty Cycle: 1:1  
Medium: HSL\_3500 Medium parameters used:  $f = 3500$  MHz;  $\sigma = 2.879$  S/m;  $\epsilon_r = 38.5$ ;  $\rho = 1000$  kg/m<sup>3</sup>

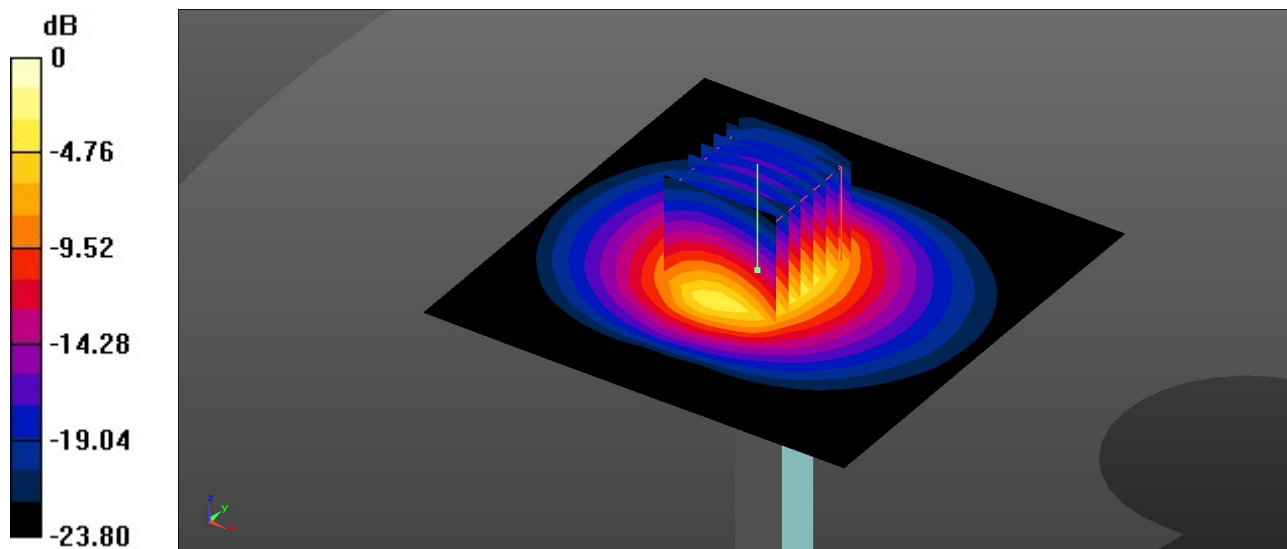
Ambient Temperature : 23.1 °C; Liquid Temperature : 22.6 °C

#### DASY5 Configuration:

- Probe: EX3DV4 - SN3578; ConvF(7.22, 7.22, 7.22); Calibrated: 2022/6/23
- Sensor-Surface: 1.4mm (Mechanical Surface Detection)
- Electronics: DAE4 Sn1303; Calibrated: 2022/11/24
- Phantom: Twin-SAM V5.0 (30deg probe tilt); Type: QD 000 P40 CD; Serial: TP-1842
- Measurement SW: DASY52, Version 52.10 (4); SEMCAD X Version 14.6.14 (7501)

**Pin=50mW/Area Scan (91x91x1):** Interpolated grid: dx=1.000 mm, dy=1.000 mm  
Maximum value of SAR (interpolated) = 6.29 W/kg

**Pin=50mW/Zoom Scan (7x7x7)/Cube 0:** Measurement grid: dx=4mm, dy=4mm, dz=1.4mm  
Reference Value = 48.39 V/m; Power Drift = -0.08 dB  
Peak SAR (extrapolated) = 8.59 W/kg  
**SAR(1 g) = 3.2 W/kg; SAR(10 g) = 1.23 W/kg**  
Maximum value of SAR (measured) = 6.25 W/kg



0 dB = 6.25 W/kg = 7.96 dBW/kg



### System Check\_Head\_3700MHz

**DUT: D3700V2 - SN:1008**

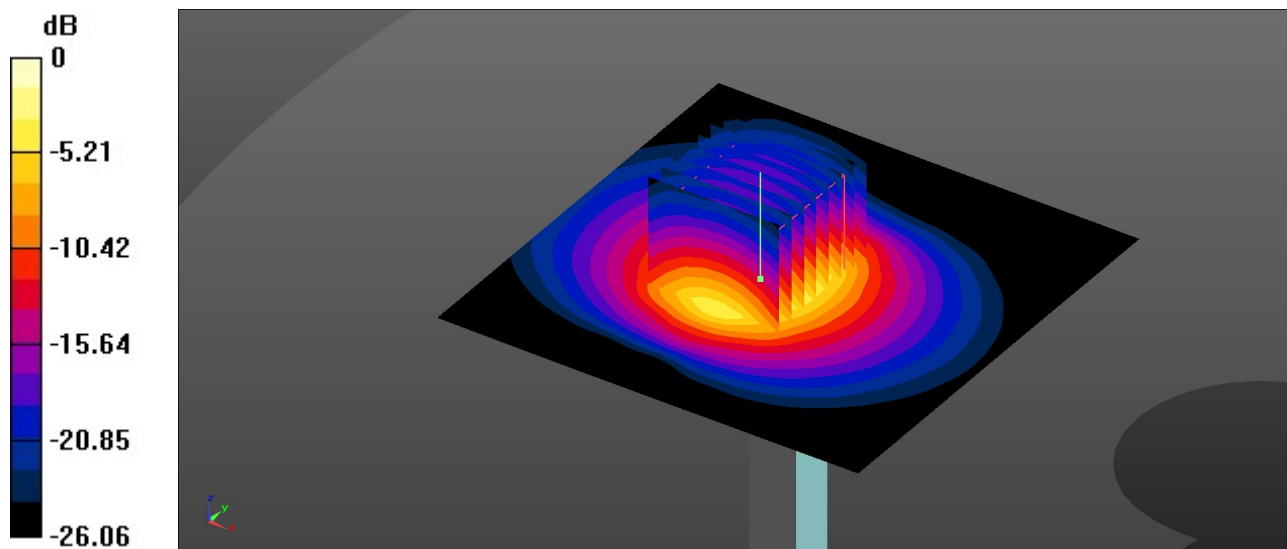
Communication System: UID 0, CW (0); Frequency: 3700 MHz; Duty Cycle: 1:1  
Medium: HSL\_3700 Medium parameters used:  $f = 3700$  MHz;  $\sigma = 3.076$  S/m;  $\epsilon_r = 38.038$ ;  $\rho = 1000$  kg/m<sup>3</sup>  
Ambient Temperature : 23.3 °C; Liquid Temperature : 22.7 °C

#### DASY5 Configuration:

- Probe: EX3DV4 - SN3578; ConvF(7.12, 7.12, 7.12); Calibrated: 2022/6/23
- Sensor-Surface: 1.4mm (Mechanical Surface Detection)
- Electronics: DAE4 Sn1303; Calibrated: 2022/11/24
- Phantom: Twin-SAM V5.0 (30deg probe tilt); Type: QD 000 P40 CD; Serial: TP-1842
- Measurement SW: DASY52, Version 52.10 (4); SEMCAD X Version 14.6.14 (7501)

**Pin=50mW/Area Scan (91x91x1):** Interpolated grid: dx=1.000 mm, dy=1.000 mm  
Maximum value of SAR (interpolated) = 6.98 W/kg

**Pin=50mW/Zoom Scan (8x8x7)/Cube 0:** Measurement grid: dx=4mm, dy=4mm, dz=1.4mm  
Reference Value = 44.72 V/m; Power Drift = 0.07 dB  
Peak SAR (extrapolated) = 9.71 W/kg  
**SAR(1 g) = 3.47 W/kg; SAR(10 g) = 1.29 W/kg**  
Maximum value of SAR (measured) = 6.93 W/kg



0 dB = 6.93 W/kg = 8.41 dBW/kg

### System Check\_Head\_3900MHz

**DUT: D3900V2 - SN:1048**

Communication System: UID 0, CW (0); Frequency: 3900 MHz; Duty Cycle: 1:1  
Medium: HSL\_3900 Medium parameters used:  $f = 3900$  MHz;  $\sigma = 3.279$  S/m;  $\epsilon_r = 37.617$ ;  $\rho = 1000$  kg/m<sup>3</sup>

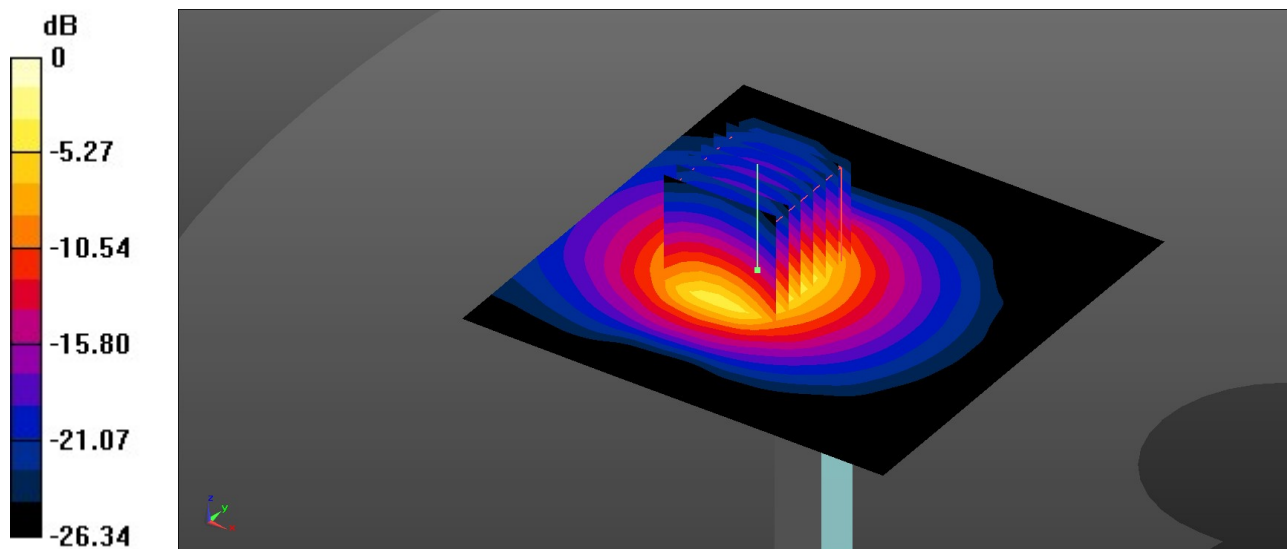
Ambient Temperature : 23.2 °C; Liquid Temperature : 22.6 °C

#### DASY5 Configuration:

- Probe: EX3DV4 - SN3578; ConvF(6.98, 6.98, 6.98); Calibrated: 2022/6/23
- Sensor-Surface: 1.4mm (Mechanical Surface Detection)
- Electronics: DAE4 Sn1303; Calibrated: 2022/11/24
- Phantom: Twin-SAM V5.0 (30deg probe tilt); Type: QD 000 P40 CD; Serial: TP-1842
- Measurement SW: DASY52, Version 52.10 (4); SEMCAD X Version 14.6.14 (7501)

**Pin=50mW/Area Scan (91x91x1):** Interpolated grid: dx=1.000 mm, dy=1.000 mm  
Maximum value of SAR (interpolated) = 6.85 W/kg

**Pin=50mW/Zoom Scan (7x7x7)/Cube 0:** Measurement grid: dx=4mm, dy=4mm, dz=1.4mm  
Reference Value = 27.77 V/m; Power Drift = 0.03 dB  
Peak SAR (extrapolated) = 10.0 W/kg  
**SAR(1 g) = 3.39 W/kg; SAR(10 g) = 1.2 W/kg**  
Maximum value of SAR (measured) = 7.03 W/kg



0 dB = 7.03 W/kg = 8.47 dBW/kg

### System Check\_Head\_750MHz

**DUT: D750V3 - SN:1087**

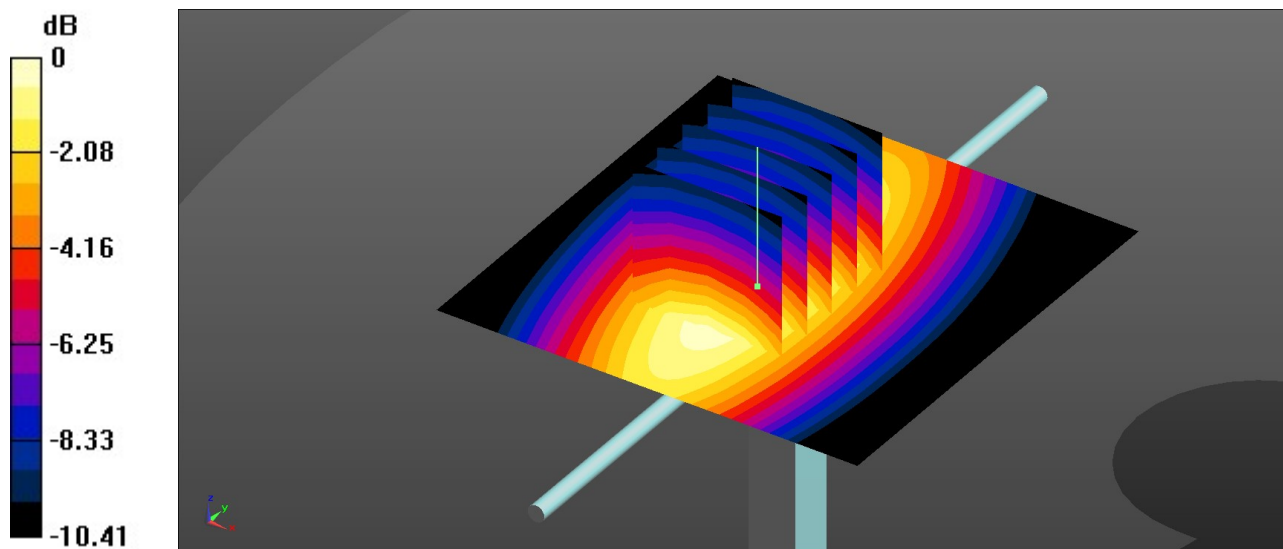
Communication System: UID 0, CW (0); Frequency: 750 MHz;Duty Cycle: 1:1  
Medium: HSL\_750 Medium parameters used:  $f = 750$  MHz;  $\sigma = 0.9$  S/m;  $\epsilon_r = 41.184$ ;  $\rho = 1000$  kg/m<sup>3</sup>  
Ambient Temperature : 23.3 °C; Liquid Temperature : 22.7 °C

#### DASY5 Configuration:

- Probe: ES3DV3 - SN3293; ConvF(6.62, 6.62, 6.62); Calibrated: 2022/11/22
- Sensor-Surface: 3mm (Mechanical Surface Detection)
- Electronics: DAE4 Sn1303; Calibrated: 2022/11/24
- Phantom: Twin-SAM V5.0 (30deg probe tilt); Type: QD 000 P40 CD; Serial: TP-1842
- Measurement SW: DASY52, Version 52.10 (4); SEMCAD X Version 14.6.14 (7501)

**Pin=50mW/Area Scan (61x61x1):** Interpolated grid: dx=1.500 mm, dy=1.500 mm  
Maximum value of SAR (interpolated) = 0.456 W/kg

**Pin=50mW/Zoom Scan (5x5x7)/Cube 0:** Measurement grid: dx=8mm, dy=8mm, dz=5mm  
Reference Value = 22.35 V/m; Power Drift = 0.06 dB  
Peak SAR (extrapolated) = 0.593 W/kg  
**SAR(1 g) = 0.400 W/kg; SAR(10 g) = 0.273 W/kg**  
Maximum value of SAR (measured) = 0.461 W/kg



0 dB = 0.461 W/kg = -3.36 dBW/kg

### System Check\_Head\_835MHz

**DUT: D835V2 - SN:4d091**

Communication System: UID 0, CW (0); Frequency: 835 MHz; Duty Cycle: 1:1  
Medium: HSL\_835 Medium parameters used:  $f = 835 \text{ MHz}$ ;  $\sigma = 0.93 \text{ S/m}$ ;  $\epsilon_r = 40.91$ ;  $\rho = 1000 \text{ kg/m}^3$

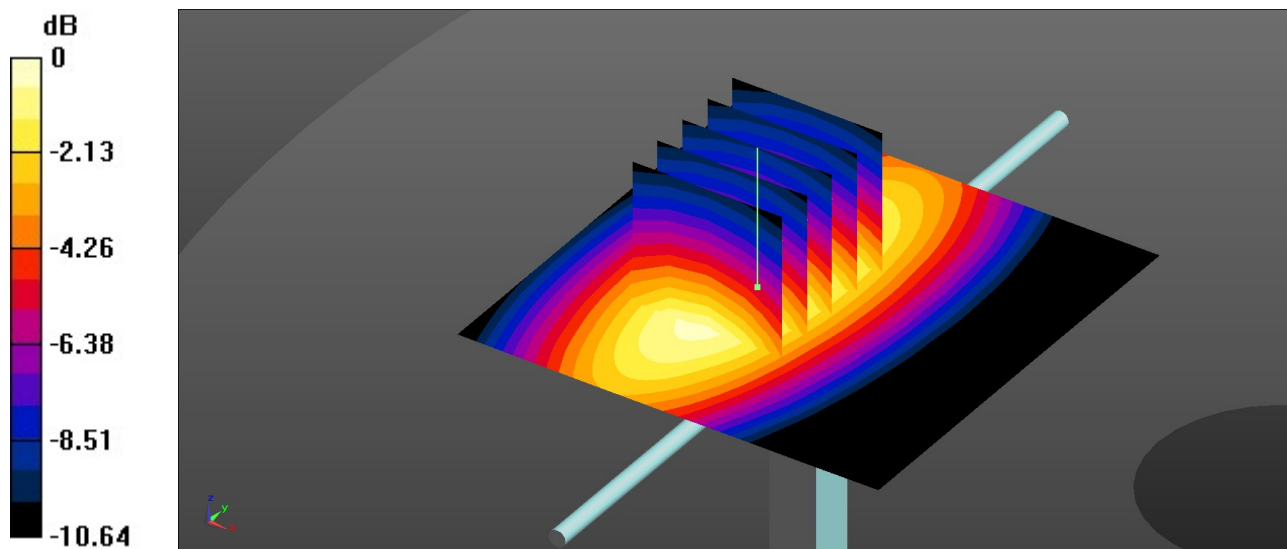
Ambient Temperature : 23.2 °C; Liquid Temperature : 22.7 °C

#### DASY5 Configuration:

- Probe: ES3DV3 - SN3293; ConvF(6.39, 6.39, 6.39); Calibrated: 2022/11/22
- Sensor-Surface: 3mm (Mechanical Surface Detection)
- Electronics: DAE4 Sn1303; Calibrated: 2022/11/24
- Phantom: Twin-SAM V5.0 (30deg probe tilt); Type: QD 000 P40 CD; Serial: TP-1842
- Measurement SW: DASY52, Version 52.10 (4); SEMCAD X Version 14.6.14 (7501)

**Pin=50mW/Area Scan (61x61x1):** Interpolated grid:  $dx=1.500 \text{ mm}$ ,  $dy=1.500 \text{ mm}$   
Maximum value of SAR (interpolated) = 0.547 W/kg

**Pin=50mW/Zoom Scan (5x5x7)/Cube 0:** Measurement grid:  $dx=8\text{mm}$ ,  $dy=8\text{mm}$ ,  $dz=5\text{mm}$   
Reference Value = 21.98 V/m; Power Drift = 0.07 dB  
Peak SAR (extrapolated) = 0.700 W/kg  
**SAR(1 g) = 0.474 W/kg; SAR(10 g) = 0.310 W/kg**  
Maximum value of SAR (measured) = 0.555 W/kg



0 dB = 0.555 W/kg = -2.56 dBW/kg

### System Check\_Head\_1750MHz

**DUT: D1750V2 - SN:1090**

Communication System: UID 0, CW (0); Frequency: 1750 MHz; Duty Cycle: 1:1  
Medium: HSL\_1750 Medium parameters used:  $f = 1750$  MHz;  $\sigma = 1.41$  S/m;  $\epsilon_r = 40.671$ ;  $\rho = 1000$  kg/m<sup>3</sup>

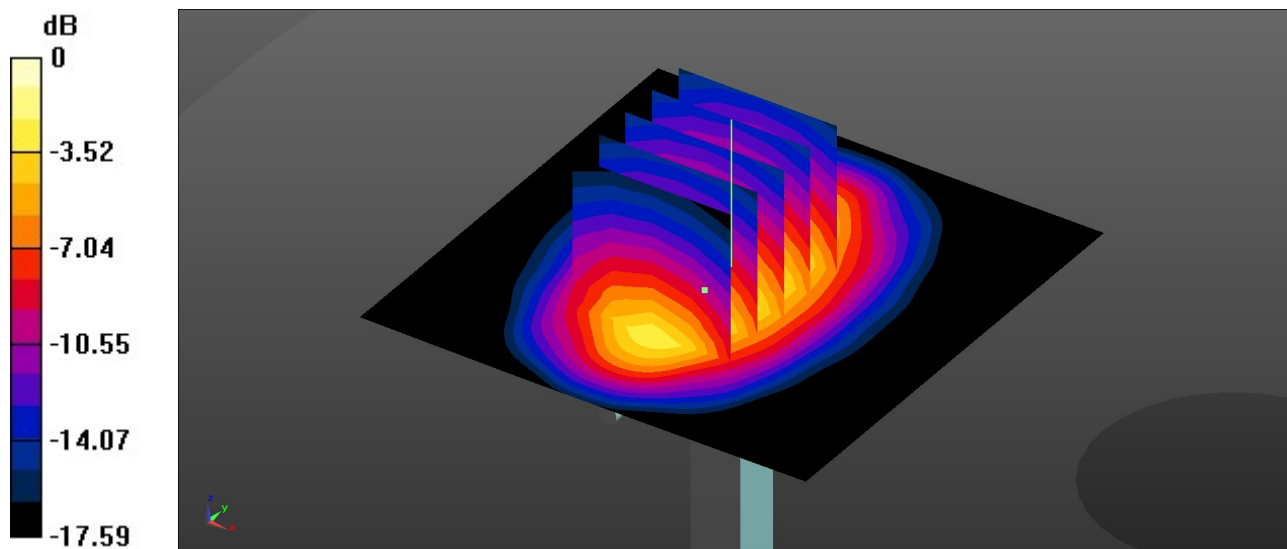
Ambient Temperature : 23.3 °C; Liquid Temperature : 22.8 °C

#### DASY5 Configuration:

- Probe: ES3DV3 - SN3293; ConvF(5.42, 5.42, 5.42); Calibrated: 2022/11/22
- Sensor-Surface: 3mm (Mechanical Surface Detection)
- Electronics: DAE4 Sn1303; Calibrated: 2022/11/24
- Phantom: Twin-SAM V5.0 (30deg probe tilt); Type: QD 000 P40 CD; Serial: TP-1842
- Measurement SW: DASY52, Version 52.10 (4); SEMCAD X Version 14.6.14 (7501)

**Pin=50mW/Area Scan (61x61x1):** Interpolated grid: dx=1.500 mm, dy=1.500 mm  
Maximum value of SAR (interpolated) = 2.40 W/kg

**Pin=50mW/Zoom Scan (5x5x7)/Cube 0:** Measurement grid: dx=8mm, dy=8mm, dz=5mm  
Reference Value = 42.00 V/m; Power Drift = 0.07 dB  
Peak SAR (extrapolated) = 3.29 W/kg  
**SAR(1 g) = 1.86 W/kg; SAR(10 g) = 0.991 W/kg**  
Maximum value of SAR (measured) = 2.30 W/kg



0 dB = 2.30 W/kg = 3.62 dBW/kg

### System Check\_Head\_1900MHz

**DUT: D1900V2 - SN:5d182**

Communication System: UID 0, CW (0); Frequency: 1900 MHz; Duty Cycle: 1:1  
Medium: HSL\_1900 Medium parameters used:  $f = 1900$  MHz;  $\sigma = 1.398$  S/m;  $\epsilon_r = 41.444$ ;  $\rho = 1000$  kg/m<sup>3</sup>

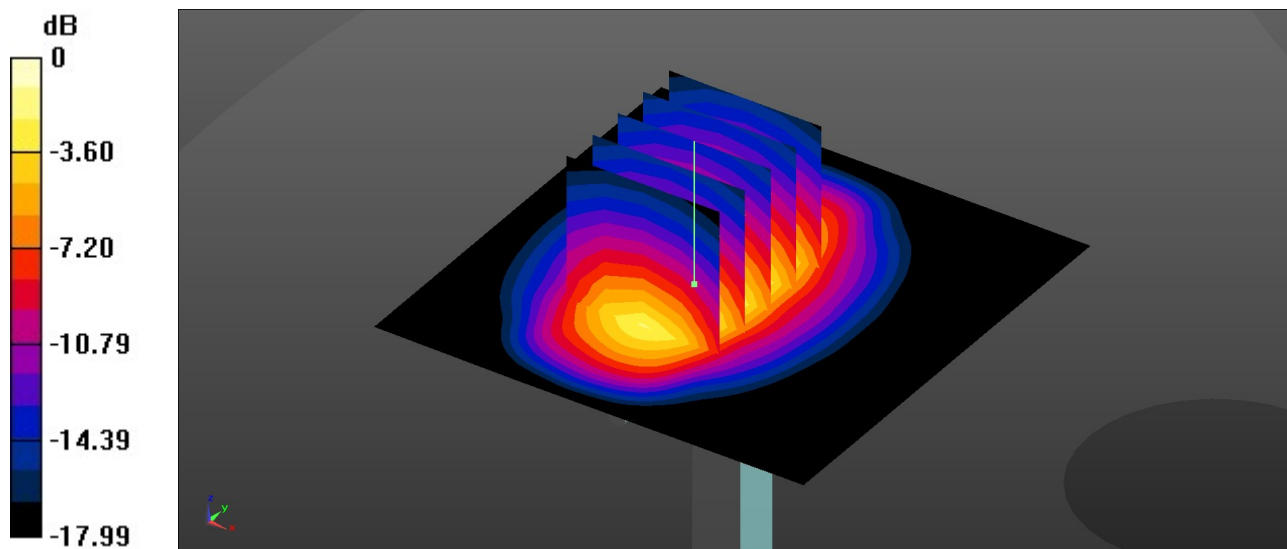
Ambient Temperature : 23.4 °C; Liquid Temperature : 22.6 °C

DASY5 Configuration:

- Probe: ES3DV3 - SN3293; ConvF(5.18, 5.18, 5.18); Calibrated: 2022/11/22
- Sensor-Surface: 3mm (Mechanical Surface Detection)
- Electronics: DAE4 Sn1303; Calibrated: 2022/11/24
- Phantom: Twin-SAM V5.0 (30deg probe tilt); Type: QD 000 P40 CD; Serial: TP-1842
- Measurement SW: DASY52, Version 52.10 (4); SEMCAD X Version 14.6.14 (7501)

**Pin=50mW/Area Scan (61x61x1):** Interpolated grid: dx=1.500 mm, dy=1.500 mm  
Maximum value of SAR (interpolated) = 2.57 W/kg

**Pin=50mW/Zoom Scan (5x5x7)/Cube 0:** Measurement grid: dx=8mm, dy=8mm, dz=5mm  
Reference Value = 22.37 V/m; Power Drift = 0.09 dB  
Peak SAR (extrapolated) = 3.65 W/kg  
**SAR(1 g) = 1.98 W/kg; SAR(10 g) = 1.02 W/kg**  
Maximum value of SAR (measured) = 2.52 W/kg



0 dB = 2.52 W/kg = 4.01 dBW/kg

### System Check\_Head\_2300MHz

**DUT: D2300V2 - SN:1055**

Communication System: UID 0, CW (0); Frequency: 2300 MHz;Duty Cycle: 1:1  
Medium: HSL\_2300 Medium parameters used:  $f = 2300$  MHz;  $\sigma = 1.72$  S/m;  $\epsilon_r = 39.459$ ;  $\rho = 1000$  kg/m<sup>3</sup>

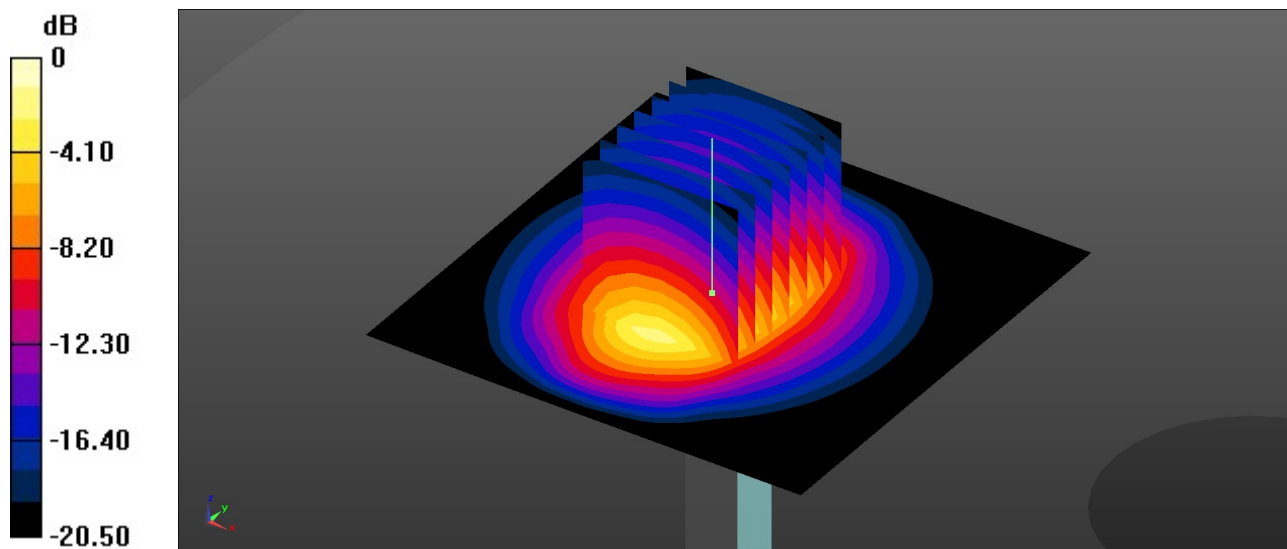
Ambient Temperature : 23.3 °C; Liquid Temperature : 22.9 °C

DASY5 Configuration:

- Probe: ES3DV3 - SN3293; ConvF(4.92, 4.92, 4.92); Calibrated: 2022/11/22
- Sensor-Surface: 3mm (Mechanical Surface Detection)
- Electronics: DAE4 Sn1303; Calibrated: 2022/11/24
- Phantom: Twin-SAM V5.0 (30deg probe tilt); Type: QD 000 P40 CD; Serial: TP-1842
- Measurement SW: DASY52, Version 52.10 (4); SEMCAD X Version 14.6.14 (7501)

**Pin=50mW/Area Scan (71x71x1):** Interpolated grid: dx=1.200 mm, dy=1.200 mm  
Maximum value of SAR (interpolated) = 3.30 W/kg

**Pin=50mW/Zoom Scan (7x7x7)/Cube 0:** Measurement grid: dx=5mm, dy=5mm, dz=5mm  
Reference Value = 43.11 V/m; Power Drift = 0.07 dB  
Peak SAR (extrapolated) = 4.95 W/kg  
**SAR(1 g) = 2.46 W/kg; SAR(10 g) = 1.17 W/kg**  
Maximum value of SAR (measured) = 3.22 W/kg



0 dB = 3.22 W/kg = 5.08 dBW/kg

### System Check\_Head\_2600MHz

**DUT: D2600V2 - SN:1061**

Communication System: UID 0, CW (0); Frequency: 2600 MHz; Duty Cycle: 1:1

Medium: HSL\_2600 Medium parameters used:  $f = 2600$  MHz;  $\sigma = 2.013$  S/m;  $\epsilon_r = 40.642$ ;  $\rho = 1000$  kg/m<sup>3</sup>

Ambient Temperature : 23.2 °C; Liquid Temperature : 22.6 °C

DASY5 Configuration:

- Probe: ES3DV3 - SN3293; ConvF(4.27, 4.27, 4.27); Calibrated: 2022/11/22
- Sensor-Surface: 3mm (Mechanical Surface Detection)
- Electronics: DAE4 Sn1303; Calibrated: 2022/11/24
- Phantom: Twin-SAM V5.0 (30deg probe tilt); Type: QD 000 P40 CD; Serial: TP-1842
- Measurement SW: DASY52, Version 52.10 (4); SEMCAD X Version 14.6.14 (7501)

**Pin=50mW/Area Scan (71x71x1):** Interpolated grid: dx=1.200 mm, dy=1.200 mm  
Maximum value of SAR (interpolated) = 3.72 W/kg

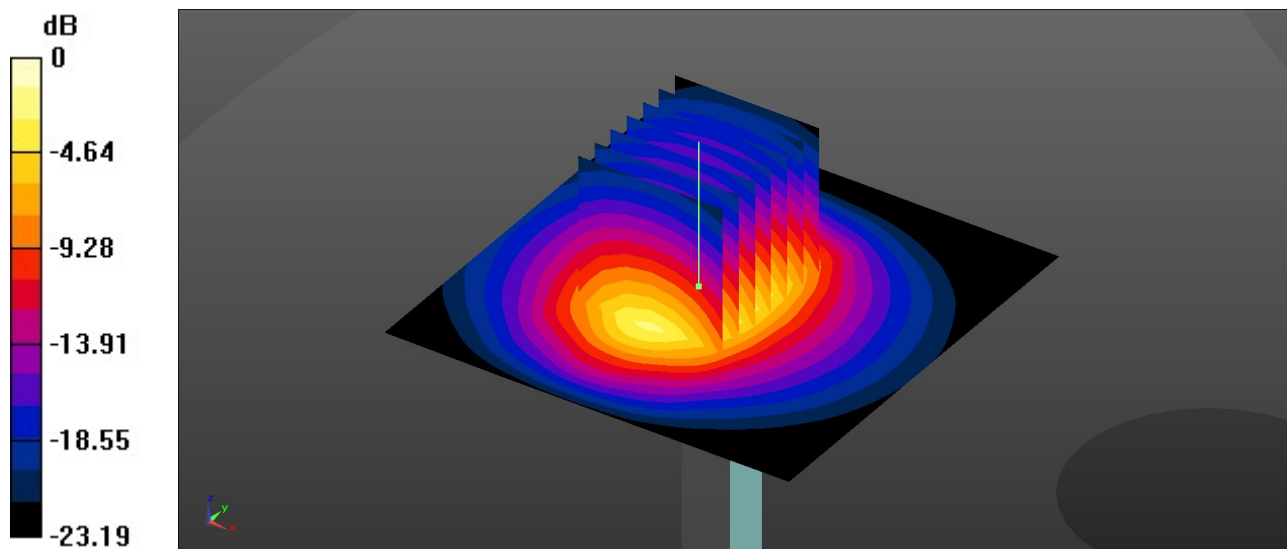
**Pin=50mW/Zoom Scan (7x7x7)/Cube 0:** Measurement grid: dx=5mm, dy=5mm, dz=5mm

Reference Value = 40.85 V/m; Power Drift = 0.02 dB

Peak SAR (extrapolated) = 5.64 W/kg

**SAR(1 g) = 2.71 W/kg; SAR(10 g) = 1.23 W/kg**

Maximum value of SAR (measured) = 3.61 W/kg



0 dB = 3.61 W/kg = 5.58 dBW/kg



### System Check\_Head\_3500MHz

**DUT: D3500V2 - SN:1037**

Communication System: UID 0, CW (0); Frequency: 3500 MHz; Duty Cycle: 1:1  
Medium: HSL\_3500 Medium parameters used:  $f = 3500$  MHz;  $\sigma = 2.81$  S/m;  $\epsilon_r = 38.71$ ;  $\rho = 1000$  kg/m<sup>3</sup>

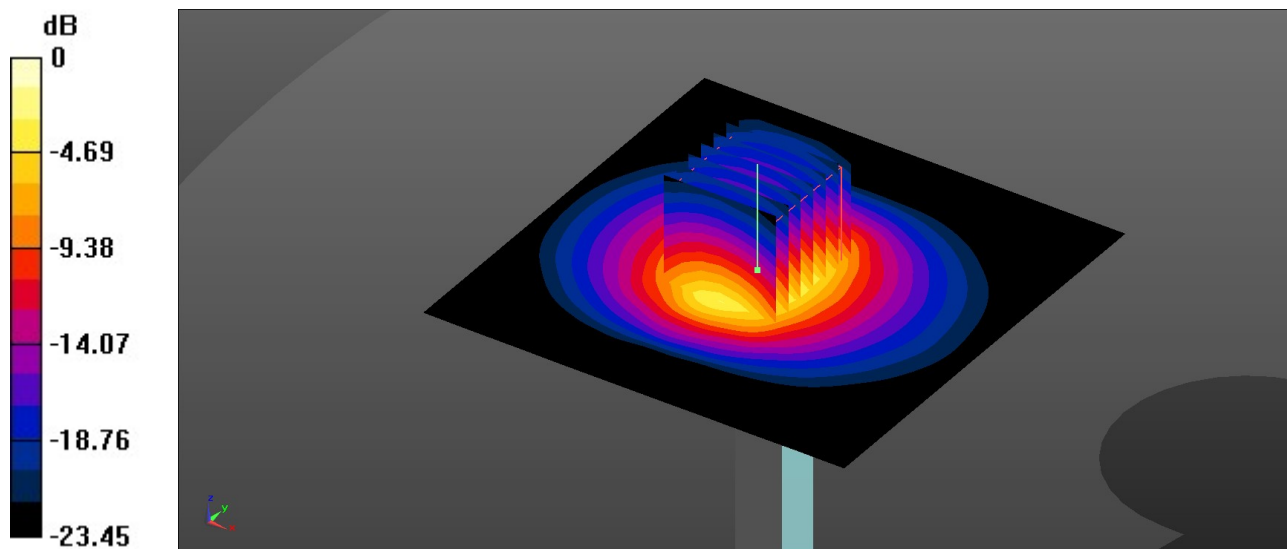
Ambient Temperature : 23.3 °C; Liquid Temperature : 22.7 °C

#### DASY5 Configuration:

- Probe: EX3DV4 - SN3578; ConvF(7.22, 7.22, 7.22); Calibrated: 2022/6/23
- Sensor-Surface: 1.4mm (Mechanical Surface Detection)
- Electronics: DAE4 Sn1303; Calibrated: 2022/11/24
- Phantom: Twin-SAM V5.0 (30deg probe tilt); Type: QD 000 P40 CD; Serial: TP-1842
- Measurement SW: DASY52, Version 52.10 (4); SEMCAD X Version 14.6.14 (7501)

**Pin=50mW/Area Scan (91x91x1):** Interpolated grid: dx=1.000 mm, dy=1.000 mm  
Maximum value of SAR (interpolated) = 6.12 W/kg

**Pin=50mW/Zoom Scan (7x7x7)/Cube 0:** Measurement grid: dx=4mm, dy=4mm, dz=1.4mm  
Reference Value = 47.01 V/m; Power Drift = 0.01 dB  
Peak SAR (extrapolated) = 8.36 W/kg  
**SAR(1 g) = 3.13 W/kg; SAR(10 g) = 1.2 W/kg**  
Maximum value of SAR (measured) = 6.11 W/kg



0 dB = 6.11 W/kg = 7.86 dBW/kg

### System Check\_Head\_3700MHz

**DUT: D3700V2 - SN:1008**

Communication System: UID 0, CW (0); Frequency: 3700 MHz; Duty Cycle: 1:1

Medium: HSL\_3700 Medium parameters used:  $f = 3700$  MHz;  $\sigma = 2.988$  S/m;  $\epsilon_r = 38.359$ ;  $\rho = 1000$  kg/m<sup>3</sup>

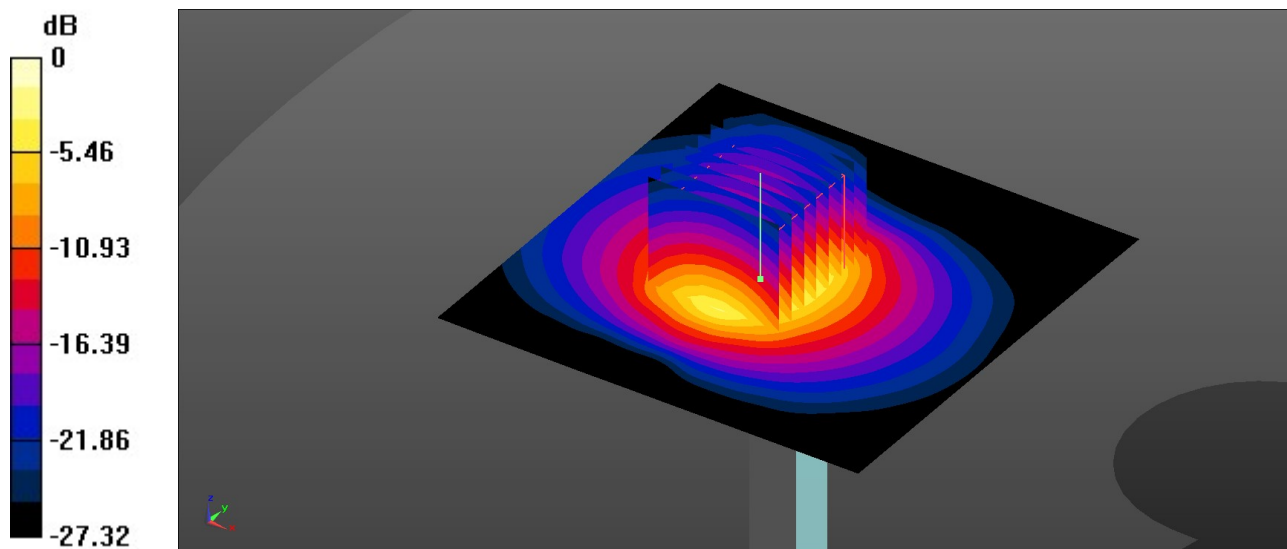
Ambient Temperature : 23.1 °C; Liquid Temperature : 22.8 °C

DASY5 Configuration:

- Probe: EX3DV4 - SN3578; ConvF(7.12, 7.12, 7.12); Calibrated: 2022/6/23
- Sensor-Surface: 1.4mm (Mechanical Surface Detection)
- Electronics: DAE4 Sn1303; Calibrated: 2022/11/24
- Phantom: Twin-SAM V5.0 (30deg probe tilt); Type: QD 000 P40 CD; Serial: TP-1842
- Measurement SW: DASY52, Version 52.10 (4); SEMCAD X Version 14.6.14 (7501)

**Pin=50mW/Area Scan (91x91x1):** Interpolated grid: dx=1.000 mm, dy=1.000 mm  
Maximum value of SAR (interpolated) = 6.77 W/kg

**Pin=50mW/Zoom Scan (8x8x7)/Cube 0:** Measurement grid: dx=4mm, dy=4mm, dz=1.4mm  
Reference Value = 44.60 V/m; Power Drift = 0.04 dB  
Peak SAR (extrapolated) = 9.44 W/kg  
**SAR(1 g) = 3.39 W/kg; SAR(10 g) = 1.25 W/kg**  
Maximum value of SAR (measured) = 6.76 W/kg



0 dB = 6.76 W/kg = 8.30 dBW/kg