



# HEARING AID COMPATIBILITY RF EMISSIONS TEST REPORT

FCC ID : IHDT56AL9  
Equipment : Mobile Cellular Phone  
Brand Name : Motorola  
Model Name : XT2323-2, XT2323-5, XT2323-6  
M-Rating : M3  
Applicant : Motorola Mobility LLC  
222 W,Merchandise Mart Plaza, Chicago IL 60654 USA  
Manufacturer : Motorola Mobility LLC  
222 W,Merchandise Mart Plaza, Chicago IL 60654 USA  
Standard : FCC 47 CFR §20.19  
ANSI C63.19-2011

We, Sporton International Inc. (Kunshan), would like to declare that the tested sample has been evaluated in accordance with the test procedures and has been in compliance with the applicable technical standards.

The test results in this report apply exclusively to the tested model / sample. Without written approval of Sporton International Inc. (Kunshan), the test report shall not be reproduced except in full.



Approved by: Si Zhang

**Sporton International Inc. (Kunshan)**  
No. 1098, Pengxi North Road, Kunshan Economic Development Zone Jiangsu Province 215300  
People's Republic of China



**Table of Contents**

1. General Information..... 4  
2. Testing Location..... 6  
3. Applied Standards ..... 6  
4. RF Audio Interference Level..... 6  
5. Air Interface and Operating Mode..... 7  
6. Measurement System Specification ..... 9  
    6.1 E-Field Probe System..... 9  
    6.2 Data Storage and Evaluation..... 10  
7. RF Emissions Test Procedure..... 11  
8. Test Equipment List ..... 14  
9. Measurement System Validation ..... 15  
10. Modulation Interference Factor..... 16  
11. Low-power Exemption..... 17  
12. Conducted RF Output Power (Unit: dBm)..... 24  
13. HAC RF Emission Test Results..... 30  
14. Uncertainty Assessment ..... 32  
15. References..... 34

Appendix A. Plots of System Performance Check  
Appendix B. Plots of RF Emission Measurement  
Appendix C. DASYS Calibration Certificate  
Appendix D. Test Setup Photos  
Appendix E. UID specifications for HAC RFE



### History of this test report

Report No.	Version	Description	Issued Date
HA340401-01A	Rev. 01	Initial issue of report	Jun. 07, 2023



1. General Information

Product Feature & Specification	
Applicant Name	Motorola Mobility LLC
Equipment Name	Mobile Cellular Phone
Brand Name	Motorola
Model Name	XT2323-2, XT2323-5, XT2323-6
IMEI Code	IMEI 1: 351606570015833 IMEI 2: 351606570015841
FCC ID	IHDT56AL9
HW	DVT2
SW	T2TV33.23
EUT Stage	Identical Prototype
Date Tested	2023/5/5 ~ 2023/6/6
Frequency Band	GSM850: 824 MHz ~ 849 MHz GSM1900: 1850 MHz ~ 1910 MHz WCDMA Band II: 1850 MHz ~ 1910 MHz WCDMA Band IV: 1710 MHz ~ 1755 MHz WCDMA Band V: 824 MHz ~ 849 MHz LTE Band 2: 1850 MHz ~ 1910 MHz LTE Band 4: 1710 MHz ~ 1755 MHz LTE Band 5: 824 MHz ~ 849 MHz LTE Band 7: 2500 MHz ~ 2570 MHz LTE Band 12: 699 MHz ~ 716 MHz LTE Band 13: 777 MHz ~ 787 MHz LTE Band 14: 788 MHz ~ 798 MHz LTE Band 17: 704 MHz ~ 716 MHz LTE Band 25: 1850 MHz ~ 1915 MHz LTE Band 26: 814 MHz ~ 849 MHz LTE Band 30: 2305 MHz ~ 2315 MHz LTE Band 38: 2570 MHz ~ 2620 MHz LTE Band 41: 2496 MHz ~ 2690 MHz LTE Band 48: 3550 MHz ~ 3700 MHz LTE Band 66: 1710 MHz ~ 1780 MHz LTE Band 71: 663 MHz ~ 698 MHz 5G NR n2 : 1850 MHz ~ 1910 MHz 5G NR n5: 824 MHz ~ 849 MHz 5G NR n7: 2500 MHz ~ 2570 MHz 5G NR n12 : 699 MHz ~ 716 MHz 5G NR n14 : 788 MHz ~ 798 MHz 5G NR n25 : 1850 MHz ~ 1915 MHz 5G NR n26 : 814 MHz ~ 849 MHz 5G NR n30 : 2305 MHz ~ 2315 MHz 5G NR n66: 1710 MHz ~ 1780 MHz 5G NR n70 : 1695 MHz ~ 1710 MHz 5G NR n71 : 663 MHz ~ 698 MHz 5G NR n41 : 2496 MHz ~ 2690 MHz 5G NR n48 : 3550 MHz ~ 3700 MHz 5G NR n77: 3450 MHz ~ 3550 MHz, 3700 MHz ~ 3980 MHz 5G NR n78: 3450 MHz ~ 3550 MHz, 3700 MHz ~ 3800 MHz WLAN 2.4GHz Band: 2412 MHz ~ 2462 MHz WLAN 5.2GHz Band: 5180 MHz ~ 5240 MHz WLAN 5.3GHz Band: 5260 MHz ~ 5320 MHz WLAN 5.5GHz Band: 5500 MHz ~ 5720 MHz WLAN 5.8GHz Band: 5745 MHz ~ 5825 MHz WLAN 6GHz U-NII-5: 5925 MHz ~ 6425 MHz WLAN 6GHz U-NII-6: 6425 MHz ~ 6525 MHz WLAN 6GHz U-NII-7: 6525 MHz ~ 6875 MHz WLAN 6GHz U-NII-8: 6875 MHz ~ 7125 MHz Bluetooth: 2402 MHz ~ 2480 MHz NFC: 13.56 MHz
Mode	GSM/GPRS/EGPRS RMC/AMR 12.2Kbps HSDPA HSUPA DC-HSDPA HSPA+(16QAM uplink is not supported)



LTE: QPSK, 16QAM, 64QAM, 256QAM  
5G NR : CP-OFDM / DFT-s-OFDM, PI/2 BPSK, QPSK, 16QAM, 64QAM, 256QAM  
WLAN 2.4GHz 802.11b/g/n HT20/HT40  
WLAN 2.4GHz 802.11ax HE20/HE40  
WLAN 5GHz 802.11a/n HT20/HT40  
WLAN 5GHz 802.11ac/ax VHT20/VHT40/VHT80/VHT160/HE20/HE40/HE80/HE160  
WLAN 6GHz 802.11a  
WLAN 6GHz 802.11ax HE20/HE40/HE80/HE160  
Bluetooth BR/EDR/LE  
NFC: ASK

**Remark:**

1. The three model names XT2323-2, XT2323-5, XT2323-6 are the same product except model name different for market segment.



2. Testing Location

Sporton International Inc. (Kunshan) is accredited to ISO/IEC 17025:2017 by American Association for Laboratory Accreditation with Certificate Number 5145.02.

Table with 4 columns: Test Firm, Test Site Location, Test Site No., and FCC Designation No. / FCC Test Firm Registration No.

3. Applied Standards

- FCC CFR47 Part 20.19
ANSI C63.19-2011
FCC KDB 285076 D01 HAC Guidance v06r02
FCC KDB 285076 D03 HAC FAQ v01r06

4. RF Audio Interference Level

FCC wireless hearing aid compatibility rules ensure that consumers with hearing loss are able to access wireless communications services through a wide selection of handsets without experiencing disabling radio frequency (RF) interference or other technical obstacles.

To define and measure the hearing aid compatibility of handsets, in CFR47 part 20.19 ANSI C63.19 is referenced. A handset is considered hearing aid-compatible for acoustic coupling if it meets a rating of at least M3 under ANSI C63.19, and A handset is considered hearing aid compatible for inductive coupling if it meets a rating of at least T3. According to ANSI C63.19 2011 version, for acoustic coupling, the RF electric field emissions of wireless communication devices should be measured and rated according to the emission level as below.

Table 4.1 Telephone near-field categories in linear units. Columns: Emission Categories, E-field emissions (<960Mhz, >960Mhz). Rows: M1, M2, M3, M4.

Table 4.1 Telephone near-field categories in linear units



**5. Air Interface and Operating Mode**

Air Interface	Band MHz	Type	C63.19 Tested	Simultaneous Transmitter	Name of Voice Service	Power Reduction
GSM	GSM850	VO	Yes	WLAN, BT	CMRS Voice	No
	GSM1900			WLAN, BT		No
	EDGE850	VD	Yes	WLAN, BT	Google Meet google Fi	No
	EDGE1900			WLAN, BT		
WCDMA	Band II	VO	No <sup>(1)</sup>	WLAN, BT	CMRS Voice	No
	Band IV			WLAN, BT		No
	Band V			WLAN, BT		No
	HSPA	VD	No <sup>(1)</sup>	WLAN, BT	Google Meet google Fi	No
LTE (FDD)	Band 2	VD	No <sup>(1)</sup>	5G NR, WLAN, BT	VoLTE / Google Meet google Fi	No
	Band 4			5G NR, WLAN, BT		No
	Band 5			5G NR, WLAN, BT		No
	Band 7			5G NR, WLAN, BT		No
	Band 12			5G NR, WLAN, BT		No
	Band 13			5G NR, WLAN, BT		No
	Band 14			5G NR, WLAN, BT		No
	Band 17			5G NR, WLAN, BT		No
	Band 25			5G NR, WLAN, BT		No
	Band 26			5G NR, WLAN, BT		No
	Band 30			5G NR, WLAN, BT		No
	Band 66			5G NR, WLAN, BT		No
	Band 71			5G NR, WLAN, BT		No
LTE (TDD)	Band 38	VD	Yes	5G NR, WLAN, BT	VoLTE / Google Meet google Fi	No
	Band 41			5G NR, WLAN, BT		No
	Band 48			5G NR, WLAN, BT		No
5G NR (FDD)	n2	VD	No <sup>(1)</sup>	LTE, WLAN, BT	VoNR / Google Meet google Fi	No
	n5			LTE, WLAN, BT		No
	n7			LTE, WLAN, BT		No
	n12			LTE, WLAN, BT		No
	n14			LTE, WLAN, BT		No
	n25			LTE, WLAN, BT		No
	n26			LTE, WLAN, BT		No
	n30			LTE, WLAN, BT		No
	n66			LTE, WLAN, BT		No
	n70			LTE, WLAN, BT		No
n71	LTE, WLAN, BT	No				
5G NR (TDD)	n41	VD	Yes <sup>(4)</sup>	LTE, WLAN, BT	VoNR / Google Meet google Fi	No
	n77		LTE, WLAN, BT	No		
	n48	No <sup>(1)</sup>	LTE, WLAN, BT	No		
	n78		LTE, WLAN, BT	No		
Wi-Fi	2450	VD	Yes	GSM,WCDMA,LTE,5G NR, WLAN 5GHz, WLAN 6GHz	VoWiFi / Google Meet google Fi	No
	5200	VD	Yes	GSM,WCDMA,LTE,5G NR, BT, WLAN 2.4GHz		No
	5300			GSM,WCDMA,LTE,5G NR, BT, WLAN 2.4GHz		No
	5500			GSM,WCDMA,LTE,5G NR, BT, WLAN 2.4GHz		No
	5800			GSM,WCDMA,LTE,5G NR, BT, WLAN 2.4GHz	No	
	U-NII-5	VD	No <sup>(3)</sup>	GSM,WCDMA,LTE,5G NR, BT, WLAN 2.4GHz	VoWiFi / Google Meet google Fi	No
	U-NII-6			GSM,WCDMA,LTE,5G NR, BT, WLAN 2.4GHz		No
	U-NII-7			GSM,WCDMA,LTE,5G NR, BT, WLAN 2.4GHz		No
U-NII-8	GSM,WCDMA,LTE,5G NR, BT, WLAN 2.4GHz			No		
BT	2450	DT	No	GSM,WCDMA,LTE,5G NR, WLAN 5GHz, WLAN 6GHz	NA	No

Type Transport:  
VO= Voice only



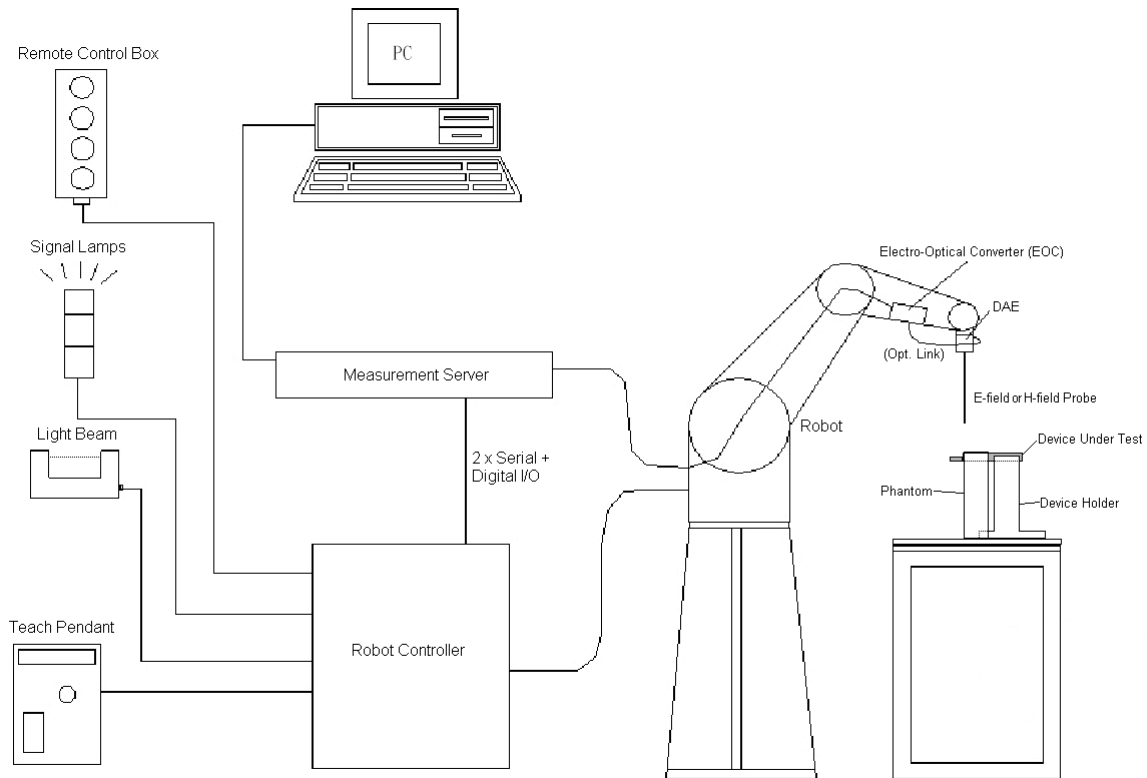
DT= Digital Transport only (no voice)  
VD= CMRS and IP Voice Service over Digital Transport

**Remark:**

1. The air interface is exempted from testing by low power exemption that its average antenna input power plus its MIF is  $\leq 17$  dBm, and is rated as M4.
2. The device have similar frequency in some LTE bands: LTE B38/41, since the supported frequency spans for the smaller LTE bands are completely cover by the larger LTE bands, therefore, only larger LTE bands were required to be tested for hearing-aid compliance.
3. The UNII-5 was evaluated for operations which are entirely below 6 GHz, above 6 GHz were not evaluated due outside of the current scope of ANSI C63.19 and FCC HAC regulations. The U-NII 6/7/8 were above 6GHz and were not evaluated due to outside of the current scope of ANSI C63.19 and FCC HAC regulations.
4. For 5GNR n77/n41 HPUE, 5GNR n77/n41 PC2 Maximum Duty Cycle is 50%, using FTM (Factory Test Mode) with 50% duty cycle is considered during testing. For 5G NR other bands test, using FTM (Factory Test Mode) with default 100% duty cycle transmission to perform evaluation.



## 6. Measurement System Specification



**Fig 6.1 System Configurations**

### 6.1 E-Field Probe System

#### E-Field Probe Specification

<EF3DV3>

<b>Construction</b>	One dipole parallel, two dipoles normal to probe axis Built-in shielding against static charges
<b>Calibration</b>	In air from 30 MHz to 6.0 GHz (absolute accuracy $\pm 6.0\%$ , $k=2$ )
<b>Frequency</b>	30 MHz to 6 GHz; Linearity: $\pm 2.0$ dB (100 MHz to 3 GHz)
<b>Directivity</b>	$\pm 0.2$ dB in air (rotation around probe axis) $\pm 0.4$ dB in air (rotation normal to probe axis)
<b>Dynamic Range</b>	2 V/m to 1000 V/m (M3 or better device readings fall well below diode compression point)
<b>Linearity</b>	$\pm 0.2$ dB
<b>Dimensions</b>	Overall length: 337 mm (Tip: 20 mm) Tip diameter: 4 mm (Body: 12 mm) Distance from probe tip to dipole centers: 1.5 mm



**Photo of E-field Probe**

#### Probe Tip Description:

HAC field measurements take place in the close near field with high gradients. Increasing the measuring distance from the source will generally decrease the measured field values (in case of the validation dipole approx. 10% per mm).

**6.2 Data Storage and Evaluation**

The DASYS software stores the assessed data from the data acquisition electronics as raw data (in microvolt readings from the probe sensors), together with all the necessary software parameters for the data evaluation (probe calibration data, and device frequency and modulation data) in measurement files.

<b>Probe parameters :</b>	- Sensitivity	Norm <sub>i</sub> , a <sub>i0</sub> , a <sub>i1</sub> , a <sub>i2</sub>
	- Conversion factor	ConvF <sub>i</sub>
	- Diode compression point	dcp <sub>i</sub>
<b>Device parameters :</b>	- Frequency	f
	- Crest factor	cf
<b>Media parameters :</b>	- Conductivity	σ
	- Density	ρ

The formula for each channel can be given as :

$$V_i = U_i + U_i^2 \cdot \frac{cf}{dcp_i}$$

- with V<sub>i</sub> = compensated signal of channel i, (i = x, y, z)
- U<sub>i</sub> = input signal of channel i, (i = x, y, z)
- cf = crest factor of exciting field (DASY parameter)
- dcp<sub>i</sub> = diode compression point (DASY parameter)

From the compensated input signals, the primary field data for each channel can be evaluated :

$$\text{E-field Probes : } E_i = \sqrt{\frac{V_i}{\text{Norm}_i \cdot \text{ConvF}}}$$

- with V<sub>i</sub> = compensated signal of channel i, (i = x, y, z)
- Norm<sub>i</sub> = sensor sensitivity of channel i, (i = x, y, z), μV/(V/m)<sup>2</sup> for E-field Probes
- ConvF = sensitivity enhancement in solution
- f = carrier frequency [GHz]
- E<sub>i</sub> = electric field strength of channel i in V/m

The RSS value of the field components gives the total field strength (Hermitian magnitude) :

$$E_{\text{tot}} = \sqrt{E_x^2 + E_y^2 + E_z^2}$$

The primary field data are used to calculate the derived field units.

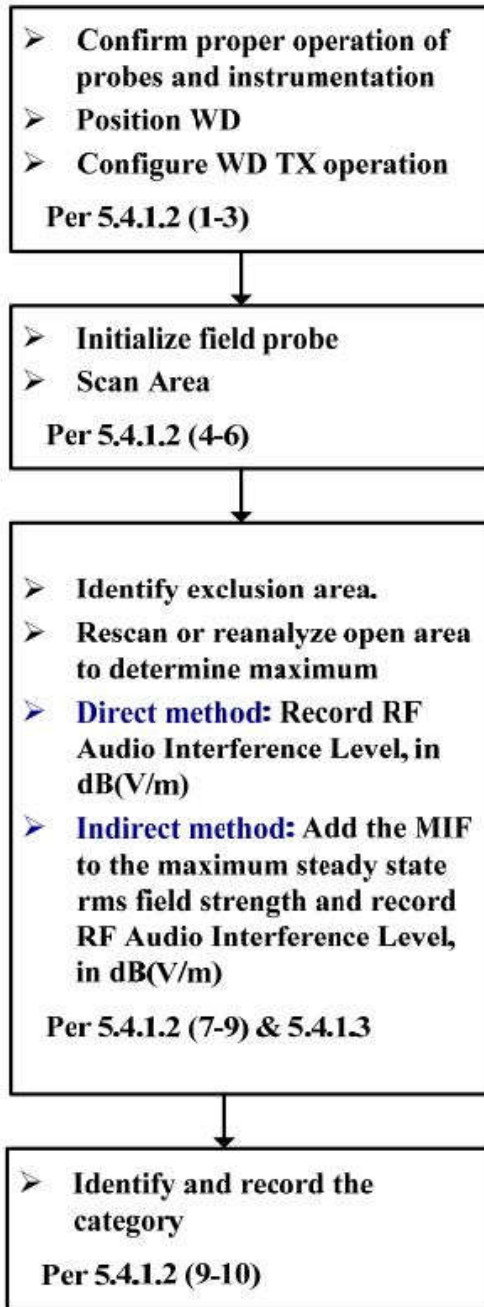


## **7. RF Emissions Test Procedure**

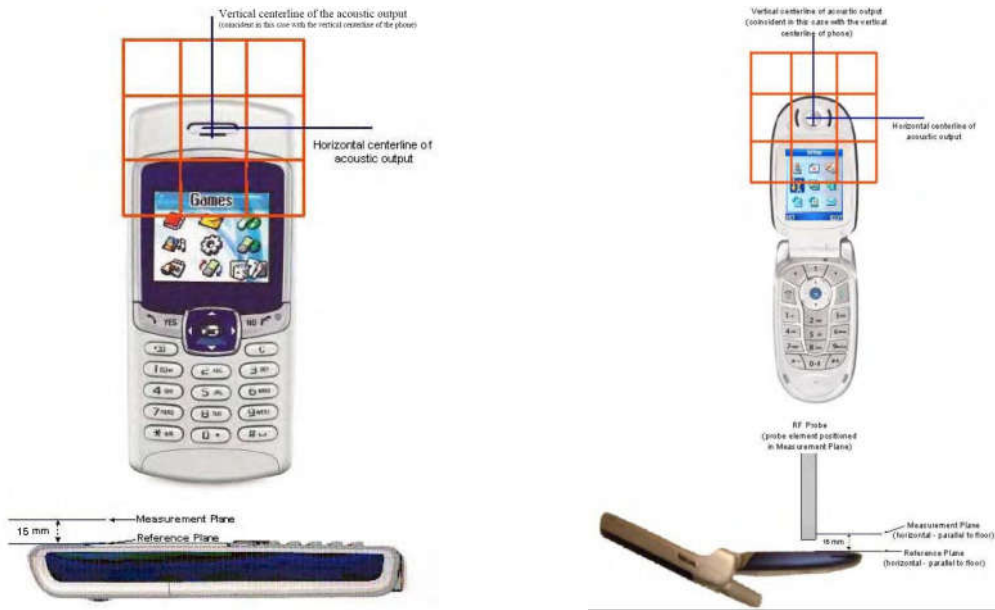
Referenced from ANSI C63.19 -2011 section 5.5.1

- a. Confirm the proper operation of the field probe, probe measurement system, and other instrumentation and the positioning system.
- b. Position the WD in its intended test position.
- c. Set the WD to transmit a fixed and repeatable combination of signal power and modulation characteristic that is representative of the worst case (highest interference potential) encountered in normal use. Transiently occurring start-up, changeover, or termination conditions, or other operations likely to occur less than 1% of the time during normal operation, may be excluded from consideration.
- d. The center sub-grid shall be centered on the T-Coil mode perpendicular measurement point or the acoustic output, as appropriate. Locate the field probe at the initial test position in the 50 mm by 50 mm grid, which is contained in the measurement plane, refer to illustrated in Figure 8.2. If the field alignment method is used, align the probe for maximum field reception.
- e. Record the reading at the output of the measurement system.
- f. Scan the entire 50 mm by 50 mm region in equality spaced increments and record the reading at each measurement point, The distance between measurement points shall be sufficient to assure the identification of the maximum reading.
- g. Identify the five contiguous sub-grids around the center sub-grid whose maximum reading is the lowest of all available choices. This eliminates the three sub-grids with the maximum readings. Thus, the six areas to be used to determine the WD's highest emissions are identified.
- h. Identify the maximum reading within the non-excluded sub-grids identified in step g).
- i. Indirect measurement method
- j. The RF audio interference level in dB (V/m) is obtained by adding the MIF (in dB) to the maximum steady-state rms field-strength reading, in dB (V/m)
- k. Compare this RF audio interference level with the categories in ANSI C63.19-2011 clause 8 and record the resulting WD category rating.
- l. For the T-Coil perpendicular measurement location is  $\geq 5.0$  mm from the center of the acoustic output, then two different 50 mm by 50 mm areas may need to be scanned, the first for the microphone mode assessment and the second for the T-Coil assessment.
- m. The second for the T-Coil assessment, with the grid shifted so that it is centered on the perpendicular measurement point. Record the WD category rating.

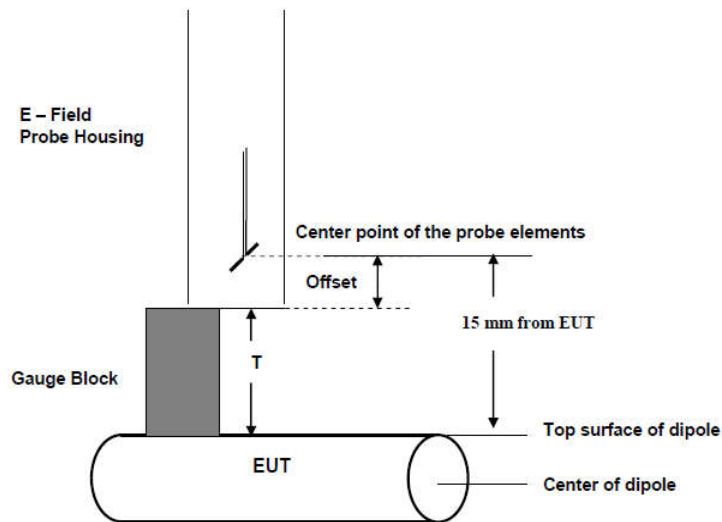
**Test Instructions**



**Figure 8.1 RF Emissions Flow Chart**



**Fig 8.2 EUT reference and plane for HAC RF emission measurements**



**Fig. 8.3 Gauge block with E-field probe**



8. Test Equipment List

Manufacturer	Name of Equipment	Type/Model	Serial Number	Calibration	
				Last Cal.	Due Date
SPEAG	835MHz Calibration Dipole	CD835V3	1171	2022/3/1	2025/2/28
SPEAG	1880MHz Calibration Dipole	CD1880V3	1155	2022/3/1	2025/2/28
SPEAG	2450MHz Calibration Dipole	CD2450V3	1155	2021/6/16	2024/6/15
SPEAG	2600Mhz Calibration Dipole	CD2600V3	1030	2022/6/29	2023/6/28
SPEAG	3500Mhz Calibration Dipole	CD3500V3	1020	2022/6/29	2023/6/28
SPEAG	5500Mhz Calibration Dipole	CD5500V3	1012	2022/1/26	2025/1/25
SPEAG	Data Acquisition Electronics	DAE4	1650	2022/8/5	2023/8/4
SPEAG	Isotropic E-Field Probe	EF3DV3	4050	2023/1/24	2024/1/23
R&S	Base Station	CMW500	143030	2022/7/14	2023/7/13
Anritsu	Vector Signal Generator	MG3710A	6201682672	2023/1/5	2024/1/4
BONN	POWER AMPLIFIER	BLMA 0830-3	087193A	NA	NA
BONN	POWER AMPLIFIER	BLMA 2060-2	087193B	NA	NA
Agilent	Dual Directional Coupler	778D	20500	2022/7/14	2023/7/13
Agilent	Dual Directional Coupler	11691D	MY48151020	2022/7/14	2023/7/13
Rohde & Schwarz	Power Meter	NRVD	102081	2022/7/14	2023/7/13
Rohde & Schwarz	Power Sensor	NRV-Z5	100538	2022/7/14	2023/7/13
Rohde & Schwarz	Power Sensor	NRV-Z5	100539	2022/7/14	2023/7/13
MCL	Attenuation1	BW-S10W5+	N/A	NA	NA
MCL	Attenuation2	BW-S10W5+	N/A	NA	NA
MCL	Attenuation3	BW-S10W5+	N/A	NA	NA
Rohde & Schwarz	Spectrum Analyzer	FSV7	101631	2022/10/12	2023/10/11
Testo	Thermo-Hygrometer	608-H1	1241332126	2023/1/5	2024/1/4

Note:

1. NCR: "No-Calibration Required"
2. Referring to KDB 865664 D01v01r04, the dipole calibration interval can be extended to 3 years with justification. The dipoles are also not physically damaged, or repaired during the interval.
3. The justification data of dipole can be found in appendix C. The return loss is < -20dB, within 20% of prior calibration, the impedance is within 5 ohm of prior calibration.

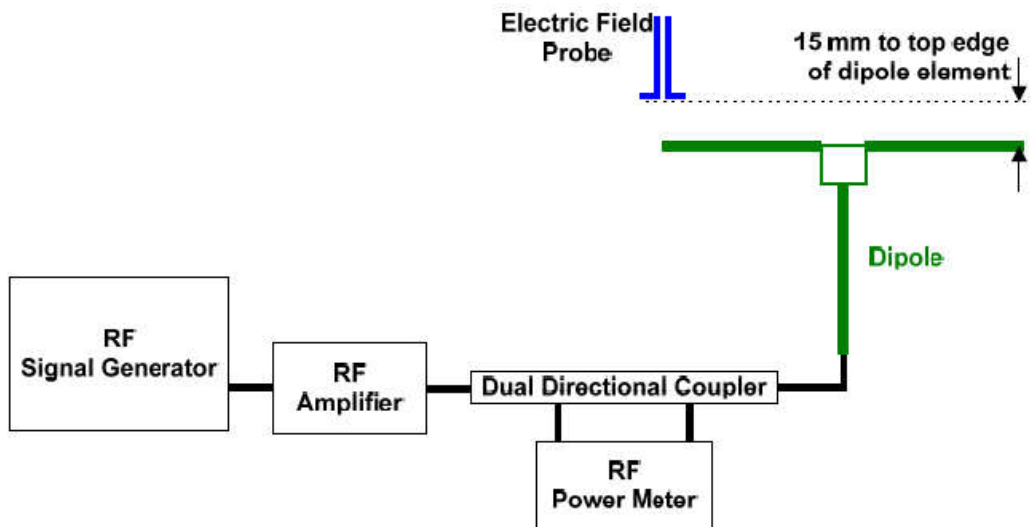
### 9. Measurement System Validation

Each DASY system is equipped with one or more system validation kits. These units, together with the predefined measurement procedures within the DASY software, enable the user to conduct the system performance check and system validation. System validation kit includes a dipole, tripod holder to fix it underneath the test Arch and a corresponding distance holder.

The system performance check verifies that the system operates within its specifications. System and operator errors can be detected and corrected. It is recommended that the system performance check be performed prior to any usage of the system in order to guarantee reproducible results. The system performance check uses normal HAC measurements in a simplified setup with a well characterized source. This setup was selected to give a high sensitivity to all parameters that might fail or vary over time. The system check does not intend to replace the calibration of the components, but indicates situations where the system uncertainty is exceeded due to drift or failure.

**<Test Setup>**

1. In the simplified setup for system evaluation, the EUT is replaced by a calibrated dipole and the power source is replaced by a continuous wave which comes from a signal generator.
2. The center point of the probe element(s) is 15mm from the closest surface of the dipole elements.
3. The calibrated dipole must be placed beneath the arch phantom. The equipment setup is shown below:
4. The output power on dipole port must be calibrated to 20dBm (100mW) before dipole is connected.



**Fig. 7.1 Setup Diagram**

**<Validation Results>**

Comparing to the original E-field value provided by SPEAG, the verification data should be within its specification of 18 %. Table 6.1 shows the target value and measured value. The table below indicates the system performance check can meet the variation criterion and the plots can be referred to appendix A of this report.

$$\text{Deviation} = ((\text{Average E-field Value}) - (\text{Target value})) / (\text{Target value}) * 100\%$$

Frequency (MHz)	Input Power (dBm)	Target Value (V/m)	E-Field 1 (V/m)	E-Field 2 (V/m)	Average Value (V/m)	Deviation (%)	Date
835	20	107.7	105.6	95.68	100.64	-6.56	2023/5/5
1880	20	85.1	98.45	92.39	95.42	12.13	2023/5/5
2450	20	85.1	97.53	92.17	94.85	11.46	2023/5/6
2600	20	86	96.55	93.59	95.07	10.55	2023/5/6
3500	20	83.6	87.45	86.97	87.21	4.32	2023/5/7
5500	20	100.6	102.8	101.6	102.2	1.59	2023/5/7
3500	20	83.6	88.05	87.57	87.81	5.04	2023/6/6





10. Modulation Interference Factor

The HAC Standard ANSI C63.19-2011 defines a new scaling using the Modulation Interference Factor (MIF). For any specific fixed and repeatable modulated signal, a modulation interference factor (MIF, expressed in dB) may be developed that relates its interference potential to its steady-state rms signal level or average power level. This factor is a function only of the audio-frequency amplitude modulation characteristics of the signal and is the same for field-strength and conducted power measurements. It is important to emphasize that the MIF is valid only for a specific repeatable audio-frequency amplitude modulation characteristic. Any change in modulation characteristic requires determination and application of a new MIF

The Modulation Interference factor (MIF, in dB) is added to the measured average E-field (in dBV/m) and converts it to the RF Audio Interference level (in dBV/m). This level considers the audible amplitude modulation components in the RF E-field. CW fields without amplitude modulation are assumed to not interfere with the hearing aid electronics. Modulations without time slots and low fluctuations at low frequencies have low MIF values, TDMA modulations with narrow transmission and repetition rates of few 100 Hz have high MIF values and give similar classifications as ANSI C63.19-2011.

ER3D, EF3D and EU2D E-field probes have a bandwidth <10 kHz and can therefore not evaluate the RF envelope in the full audio band. DASY52 is therefore using the indirect measurement method according to ANSI C63.19-2011 which is the primary method. These near field probes read the averaged E-field measurement. Especially for the new high peak-to-average (PAR) signal types, the probes shall be linearized by PMR calibration in order to not overestimate the field reading. Probe Modulation Response (PMR) calibration linearizes the probe response over its dynamic range for specific modulations which are characterized by their UID and result in an uncertainty specified in the probe calibration certificate. The MIF is characteristic for a given waveform envelope and can be used as a constant conversion factor if the probe has been PMR calibrated.

The evaluation method for the MIF is defined in ANSI C63.19-2011 section D.7. An RMS demodulated RF signal is fed to a spectral filter (similar to an A weighting filter) and forwarded to a temporal filter acting as a quasi-peak detector. The averaged output of these filtering is scaled to a 1 kHz 80% AM signal as reference. MIF measurement requires additional instrumentation and is not well suited for evaluation by the end user with reasonable uncertainty. It may alternatively be determined through analysis and simulation, because it is constant and characteristic for a communication signal. DASY52 uses well-defined signals for PMR calibration. The MIF of these signals has been determined by simulation and it is automatically applied.

The MIF measurement uncertainty is estimated as follows, declared by HAC equipment provider SPEAG, for modulation frequencies from slotted waveforms with fundamental frequency and at least 2 harmonics within 10 kHz:

- 1. 0.2 dB for MIF: -7 to +5 dB
2. 0.5 dB for MIF: -13 to +11 dB
3. 1 dB for MIF: > -20 dB

MIF values applied in this test report were provided by the HAC equipment provider of SPEAG, and the worst values for all air interface are listed below to be determine the Low-power Exemption. For UID 10973 is applicable only for 5G NR TDD PC2 with 50% Duty Cycle, and all other 5G NR modes are applicable with UID 10769 more conservatively

Table with 3 columns: UID, Communication System Name, MIF(dB). Rows include GSM-FDD, EDGE-FDD, UMTS-FDD, LTE-FDD, 5G NR, and IEEE WiFi standards.





### 11. Low-power Exemption

<Max Tune-up Limit>

<Ant0>

Frequency Band		Average Power (dBm)
GSM	GSM850	33.50
	EDGE850	26.50
	GSM1900	30.50
	EDGE1900	26.00
WCDMA	Band V	25.00
	Band IV	24.00
	Band II	24.00
	HSPA	24.00
FDD LTE	Band 2	24.00
	Band 4	24.00
	Band 5	24.00
	Band 7	24.00
	Band 12	24.00
	Band 13	24.00
	Band 14	24.00
	Band 17	24.00
	Band 25	24.00
	Band 26	24.00
	Band 30	22.00
	Band 66	24.00
TDD LTE	Band 38	22.00
	Band 41	24.00
	Band 41_PC2	26.00
5G NR FDD	n2	25.00
	n5	24.00
	n7	25.00
	n12	24.00
	n14	24.00
	n25	23.00
	n26	24.00
	n30	22.00
	n66	24.00
	n70	23.00



	n71	24.00
5G NR TDD Duty(100%)	n41	24.00
5G NR TDD Duty(50%)	n41_PC2	27.00

**<Ant1>**

Frequency Band		Average Power (dBm)
GSM	GSM850	33.50
	EDGE850	26.50
	GSM1900	30.50
	EDGE1900	25.50
WCDMA	Band V	25.00
	Band IV	24.00
	Band II	24.00
	HSPA	24.00
FDD LTE	Band 2	24.00
	Band 4	24.00
	Band 5	24.00
	Band 7	23.50
	Band 12	24.00
	Band 13	24.00
	Band 14	24.00
	Band 17	24.00
	Band 25	24.00
	Band 26	24.00
	Band 30	22.00
	Band 66	24.00
	Band 71	24.00
TDD LTE	Band 38	22.00
	Band 41	24.00
	Band 41_PC2	26.00
	Band 48	20.00
5G NR FDD	n2	24.00
	n5	24.00
	n7	24.00
	n12	24.00
	n14	24.00
	n25	23.00
	n26	24.00
	n30	22.00



	n66	24.00
	n70	22.00
	n71	24.50
5G NR TDD Duty(100%)	n41	24.00
	n48	23.00
	n77	24.50
	n78	22.00
5G NR TDD Duty(50%)	n41_PC2	27.00
	n77_PC2	27.50

**<Ant2>**

Frequency Band		Average Power (dBm)
GSM	GSM1900	30.50
	EDGE1900	26.50
WCDMA	Band IV	24.00
	Band II	24.00
	HSPA	23.00
FDD LTE	Band 2	23.50
	Band 4	23.00
	Band 7	23.00
	Band 25	23.50
	Band 30	23.00
	Band 66	24.00
TDD LTE	Band 38	23.00
	Band 41	23.00
	Band 41_PC2	24.50
	Band 48	21.00
5G NR FDD	n2	24.00
	n7	24.00
	n25	23.00
	n30	23.00
	n66	24.00
	n70	23.00
5G NR TDD Duty(100%)	n41	24.00
	n48	24.00
	n77	24.00
	n78	23.00
5G NR TDD Duty(50%)	n41_PC2	27.00
	n77_PC2	27.00



**<Ant3>**

Frequency Band		Average Power (dBm)
GSM	GSM1900	32.50
	EDGE1900	28.00
WCDMA	Band IV	25.00
	Band II	25.00
	HSPA	24.00
FDD LTE	Band 2	24.00
	Band 4	24.00
	Band 7	24.00
	Band 25	24.00
	Band 30	24.00
	Band 66	24.00
TDD LTE	Band 38	24.00
	Band 41	24.00
	Band 41_PC2	26.00
	Band 48	23.00
5G NR FDD	n2	24.00
	n7	24.00
	n25	24.00
	n30	24.00
	n66	24.00
	n70	24.00
5G NR TDD Duty(100%)	n41	24.00
	n48	24.50
	n77	24.50
	n78	25.00
5G NR TDD Duty(50%)	n41_PC2	27.00
	n77_PC2	27.50

**<Ant5>**

Frequency Band		Average Power (dBm)
TDD LTE	Band 48	24.00
5G NR TDD Duty(100%)	n48	25.50
	n77	25.00
	n78	25.00
5G NR TDD Duty(50%)	n77_PC2	28.00



< WLAN Ant>

Frequency Band		Average Power (dBm)
2.4GHz WLAN Ant 4+6	802.11b	26.00
	802.11g	23.00
	802.11n-HT20	23.00
	802.11n-HT40	23.00
	802.11ax-HE20	23.00
	802.11ax-HE40	23.00
5GHz WLAN Ant 5+4	802.11a	23.50
	802.11n-HT20	24.00
	802.11n-HT40	24.50
	802.11ac-VHT20	24.50
	802.11ac-VHT40	24.50
	802.11ac-VHT80	24.00
	802.11ac-VHT160	21.50
	802.11ax-HE20	24.50
	802.11ax-HE40	24.50
	802.11ax-HE80	24.00
6GHz WLAN Ant 4+6	802.11a	13.30
	802.11ax-HE20	13.30
	802.11ax-HE40	13.30

<Low Power Exemption>

<Ant0>

Air Interface	Max Average Antenna Input Power (dBm)	Worst Case MIF (dB)	Power + MIF(dB)	C63.19 test required
GSM850	33.50	3.63	37.13	Yes
EDGE850	26.50	3.75	30.25	No <sup>(1)</sup>
GSM1900	30.50	3.63	34.13	Yes
EDGE1900	26.00	3.75	29.75	No <sup>(1)</sup>
WCDMA	25.00	-25.43	-0.43	No
WCDMA - HSPA	24.00	-20.39	3.61	No
LTE - FDD	24.00	-9.76	14.24	No
LTE – TDD	26.00	-1.44	24.56	Yes
5G FR1 - FDD	25.00	-12.08	12.92	No
5G NR - TDD	24.00	-12.08	11.92	No
5G NR - TDD(50%)	27.00	-1.64	25.36	Yes



**<Ant1>**

Air Interface	Max Average Antenna Input Power (dBm)	Worst Case MIF (dB)	Power + MIF(dB)	C63.19 test required
GSM850	33.50	3.63	37.13	Yes
EDGE850	26.50	3.75	30.25	No <sup>(1)</sup>
GSM1900	30.50	3.63	34.13	Yes
EDGE1900	25.50	3.75	29.25	No <sup>(1)</sup>
WCDMA	25.00	-25.43	-0.43	No
WCDMA - HSPA	24.00	-20.39	3.61	No
LTE - FDD	24.00	-9.76	14.24	No
LTE – TDD	26.00	-1.44	24.56	Yes
5G FR1 - FDD	24.50	-12.08	12.42	No
5G NR - TDD	24.50	-12.08	12.42	No
5G NR - TDD(50%)	27.50	-1.64	25.86	Yes

**<Ant2>**

Air Interface	Max Average Antenna Input Power (dBm)	Worst Case MIF (dB)	Power + MIF(dB)	C63.19 test required
GSM1900	30.50	3.63	34.13	Yes
EDGE1900	26.50	3.75	30.25	No <sup>(1)</sup>
WCDMA	24.00	-25.43	-1.43	No
WCDMA - HSPA	23.00	-20.39	2.61	No
LTE - FDD	24.00	-9.76	14.24	No
LTE – TDD	24.50	-1.44	23.06	Yes
5G FR1 - FDD	24.00	-12.08	11.92	No
5G NR - TDD	24.00	-12.08	11.92	No
5G NR - TDD(50%)	27.00	-1.64	25.36	Yes

**<Ant3>**

Air Interface	Max Average Antenna Input Power (dBm)	Worst Case MIF (dB)	Power + MIF(dB)	C63.19 test required
GSM1900	32.50	3.63	36.13	Yes
EDGE1900	28.00	3.75	31.75	No <sup>(1)</sup>
WCDMA	25.00	-25.43	-0.43	No
WCDMA - HSPA	24.00	-20.39	3.61	No
LTE - FDD	24.00	-9.76	14.24	No
LTE – TDD	26.00	-1.44	24.56	Yes
5G FR1 - FDD	24.00	-12.08	11.92	No
5G NR - TDD	25.00	-12.08	12.92	No
5G NR - TDD(50%)	27.50	-1.64	25.86	Yes

**<Ant5>**

Air Interface	Max Average Antenna Input Power (dBm)	Worst Case MIF (dB)	Power + MIF(dB)	C63.19 test required
LTE – TDD	24.00	-1.44	22.56	Yes
5G NR - TDD	25.50	-12.08	13.42	No
5G NR - TDD(50%)	28.00	-1.64	26.36	Yes



< WLAN Ant >

Frequency Band	Air Interface	Max Average Antenna Input Power (dBm)	Worst Case MIF (dB)	Power + MIF (dB)	C63.19 test required
2.4GHz WLAN	802.11b	26.00	-2.02	23.98	Yes
	802.11g	23.00	0.12	23.12	No <sup>(2)</sup>
	802.11n-HT20	23.00	-13.44	9.56	No
	802.11n-HT40	23.00	-13.44	9.56	No
	802.11ax-HE20	23.00	-5.58	17.42	No <sup>(2)</sup>
	802.11ax-HE40	23.00	-5.58	17.42	No <sup>(2)</sup>
5GHz WLAN	802.11a	23.50	-3.15	20.35	Yes
	802.11n-HT20	24.00	-13.44	10.56	No
	802.11n-HT40	24.50	-13.44	11.06	No
	802.11ac-VHT20	24.50	-5.57	18.93	No <sup>(2)</sup>
	802.11ac-VHT40	24.50	-5.57	18.93	No <sup>(2)</sup>
	802.11ac-VHT80	24.00	-5.57	18.43	No <sup>(2)</sup>
	802.11ac-VHT160	21.50	-5.58	15.92	No
	802.11ax-HE20	24.50	-5.58	18.92	No <sup>(2)</sup>
	802.11ax-HE40	24.50	-5.58	18.92	No <sup>(2)</sup>
	802.11ax-HE80	24.00	-5.58	18.42	No <sup>(2)</sup>
6GHz WLAN	802.11a	13.30	-3.15	10.15	No
	802.11ax-HE20	13.30	-5.58	7.72	No
	802.11ax-HE40	13.30	-5.58	7.72	No

**General Note:**

- EDGE data modes is not necessary due the GSM Voice mode is the worst case.
- 802.11g/802.11ac-VHT20/802.11ac-VHT40/802.11ac-VHT80 /802.11ax-HE20/802.11ax-HE40 /802.11ax-HE80 is not necessary due to the 802.11b/802.11a is the worst case.
- LTE Band 41 non-HPUE data modes is not necessary due the LTE Band 41 HPUE mode is the worst case.
- According to ANSI C63.19 2011-version, for the air interface technology of a device is exempt from testing when its average antenna input power plus its MIF is  $\leq 17$  dBm for any of its operating modes.
- HAC RF rating is M4 for the air interface which meets the low power exemption.



**12. Conducted RF Output Power (Unit: dBm)**

**<GSM>**

Average Antenna Input Power(dBm)						
Band	GSM850 ANT0			GSM1900 ANT0		
Channel	128	189	251	512	661	810
Frequency (MHz)	824.2	836.4	848.8	1850.2	1880.0	1909.8
GSM (GMSK, 1 Tx slot)	32.98	33.01	32.95	29.58	29.62	29.43

Average Antenna Input Power(dBm)						
Band	GSM850 ANT1			GSM1900 ANT1		
Channel	128	189	251	512	661	810
Frequency (MHz)	824.2	836.4	848.8	1850.2	1880.0	1909.8
GSM (GMSK, 1 Tx slot)	33.05	33.07	32.97	29.24	29.27	29.01

Average Antenna Input Power(dBm)						
Band	GSM1900 ANT2			GSM1900 ANT3		
Channel	512	661	810	512	661	810
Frequency (MHz)	1850.2	1880.0	1909.8	1850.2	1880.0	1909.8
GSM (GMSK, 1 Tx slot)	30.09	30.14	29.89	31.11	31.14	30.98

**<LTE>**

Band 38 ANT0						
BW [MHz]	Modulation	RB Size	RB Offset	Power Low Ch. / Freq.	Power Middle Ch. / Freq.	Power High Ch. / Freq.
Channel				37850	38000	38150
Frequency (MHz)				2580	2595	2610
20	QPSK	1	0	20.76	20.92	20.74

Band 38 ANT1						
BW [MHz]	Modulation	RB Size	RB Offset	Power Low Ch. / Freq.	Power Middle Ch. / Freq.	Power High Ch. / Freq.
Channel				37850	38000	38150
Frequency (MHz)				2580	2595	2610
20	QPSK	1	0	20.55	20.59	20.52

Band 38 ANT2						
BW [MHz]	Modulation	RB Size	RB Offset	Power Low Ch. / Freq.	Power Middle Ch. / Freq.	Power High Ch. / Freq.
Channel				37850	38000	38150
Frequency (MHz)				2580	2595	2610
20	QPSK	1	0	21.25	21.31	21.23

Band 38 ANT3						
BW [MHz]	Modulation	RB Size	RB Offset	Power Low Ch. / Freq.	Power Middle Ch. / Freq.	Power High Ch. / Freq.
Channel				37850	38000	38150
Frequency (MHz)				2580	2595	2610
20	QPSK	1	0	22.48	22.60	22.37





Band 41 ANT0								
BW [MHz]	Modulation	RB Size	RB Offset	Power Low Ch. / Freq.	Power Low Middle Ch. / Freq.	Power Middle Ch. / Freq.	Power High Middle Ch. / Freq.	Power High Ch. / Freq.
Channel				39750	40185	40620	41055	41490
Frequency (MHz)				2506	2549.5	2593	2636.5	2680
20	QPSK	1	0	23.17	23.26	23.36	23.31	23.10

Band 41 ANT1								
BW [MHz]	Modulation	RB Size	RB Offset	Power Low Ch. / Freq.	Power Low Middle Ch. / Freq.	Power Middle Ch. / Freq.	Power High Middle Ch. / Freq.	Power High Ch. / Freq.
Channel				39750	40185	40620	41055	41490
Frequency (MHz)				2506	2549.5	2593	2636.5	2680
20	QPSK	1	0	22.97	23.09	23.12	22.96	22.90

Band 41 ANT2								
BW [MHz]	Modulation	RB Size	RB Offset	Power Low Ch. / Freq.	Power Low Middle Ch. / Freq.	Power Middle Ch. / Freq.	Power High Middle Ch. / Freq.	Power High Ch. / Freq.
Channel				39750	40185	40620	41055	41490
Frequency (MHz)				2506	2549.5	2593	2636.5	2680
20	QPSK	1	0	21.62	21.64	21.76	21.72	21.58

Band 41 ANT3								
BW [MHz]	Modulation	RB Size	RB Offset	Power Low Ch. / Freq.	Power Low Middle Ch. / Freq.	Power Middle Ch. / Freq.	Power High Middle Ch. / Freq.	Power High Ch. / Freq.
Channel				39750	40185	40620	41055	41490
Frequency (MHz)				2506	2549.5	2593	2636.5	2680
20	QPSK	1	0	22.82	22.86	22.93	22.73	22.80

Band 41 ANT0 HPUE								
BW [MHz]	Modulation	RB Size	RB Offset	Power Low Ch. / Freq.	Power Low Middle Ch. / Freq.	Power Middle Ch. / Freq.	Power High Middle Ch. / Freq.	Power High Ch. / Freq.
Channel				39750	40185	40620	41055	41490
Frequency (MHz)				2506	2549.5	2593	2636.5	2680
20	QPSK	1	0	24.69	24.76	24.97	24.70	24.87

Band 41 ANT1 HPUE								
BW [MHz]	Modulation	RB Size	RB Offset	Power Low Ch. / Freq.	Power Low Middle Ch. / Freq.	Power Middle Ch. / Freq.	Power High Middle Ch. / Freq.	Power High Ch. / Freq.
Channel				39750	40185	40620	41055	41490
Frequency (MHz)				2506	2549.5	2593	2636.5	2680
20	QPSK	1	0	24.59	24.62	24.77	24.73	24.65

Band 41 ANT2 HPUE								
BW [MHz]	Modulation	RB Size	RB Offset	Power Low Ch. / Freq.	Power Low Middle Ch. / Freq.	Power Middle Ch. / Freq.	Power High Middle Ch. / Freq.	Power High Ch. / Freq.
Channel				39750	40185	40620	41055	41490
Frequency (MHz)				2506	2549.5	2593	2636.5	2680
20	QPSK	1	0	23.22	23.26	23.34	23.19	23.22



Band 41 ANT3 HPUE								
BW [MHz]	Modulation	RB Size	RB Offset	Power Low Ch. / Freq.	Power Low Middle Ch. / Freq.	Power Middle Ch. / Freq.	Power High Middle Ch. / Freq.	Power High Ch. / Freq.
Channel				39750	40185	40620	41055	41490
Frequency (MHz)				2506	2549.5	2593	2636.5	2680
20	QPSK	1	0	24.30	24.33	24.43	24.31	24.26

Band 48_Ant1								
BW [MHz]	Modulation	RB Size	RB Offset	Power Low Ch. / Freq.	Power Low Middle Ch. / Freq.	Power High Middle Ch. / Freq.	Power High Ch. / Freq.	
Channel				55340	55830	56150	56640	
Frequency (MHz)				3560	3609	3641	3690	
20	QPSK	1	0	19.02	19.20	19.04	19.06	

Band 48_Ant2								
BW [MHz]	Modulation	RB Size	RB Offset	Power Low Ch. / Freq.	Power Low Middle Ch. / Freq.	Power High Middle Ch. / Freq.	Power High Ch. / Freq.	
Channel				55340	55830	56150	56640	
Frequency (MHz)				3560	3609	3641	3690	
20	QPSK	1	0	19.22	19.40	19.24	19.12	

Band 48_Ant3								
BW [MHz]	Modulation	RB Size	RB Offset	Power Low Ch. / Freq.	Power Low Middle Ch. / Freq.	Power High Middle Ch. / Freq.	Power High Ch. / Freq.	
Channel				55340	55830	56150	56640	
Frequency (MHz)				3560	3609	3641	3690	
20	QPSK	1	0	21.75	21.90	21.80	21.83	

Band 48_Ant5								
BW [MHz]	Modulation	RB Size	RB Offset	Power Low Ch. / Freq.	Power Low Middle Ch. / Freq.	Power High Middle Ch. / Freq.	Power High Ch. / Freq.	
Channel				55340	55830	56150	56640	
Frequency (MHz)				3560	3609	3641	3690	
20	QPSK	1	0	22.49	22.63	22.55	22.38	

n41 PC2 Ant 0								
BW [MHz]	Modulation	RB Size	RB Offset	Power Low Ch. / Freq.	Power Middle Ch. / Freq.	Power High Ch. / Freq.		
Channel				509202	518598	528000		
Frequency (MHz)				2546.01	2592.99	2640		
100	QPSK	1	1	25.64	26.02	25.71		

n41 PC2 Ant 1								
BW [MHz]	Modulation	RB Size	RB Offset	Power Low Ch. / Freq.	Power Middle Ch. / Freq.	Power High Ch. / Freq.		
Channel				509202	518598	528000		
Frequency (MHz)				2546.01	2592.99	2640		
100	QPSK	1	1	26.18	26.68	26.42		



n41 PC2 Ant 2						
BW [MHz]	Modulation	RB Size	RB Offset	Power Low Ch. / Freq.	Power Middle Ch. / Freq.	Power High Ch. / Freq.
Channel				509202	518598	528000
Frequency (MHz)				2546.01	2592.99	2640
100	QPSK	1	1	25.96	26.32	26.12

n41 PC2 Ant 3						
BW [MHz]	Modulation	RB Size	RB Offset	Power Low Ch. / Freq.	Power Middle Ch. / Freq.	Power High Ch. / Freq.
Channel				509202	518598	528000
Frequency (MHz)				2546.01	2592.99	2640
100	QPSK	1	1	26.01	26.37	26.07

Part270 n77 PC2 Ant 1						
BW [MHz]	Modulation	RB Size	RB Offset	Power Low Ch. / Freq.	Power Middle Ch. / Freq.	Power High Ch. / Freq.
Channel				650000	656000	662000
Frequency (MHz)				3750	3840	3930
100	QPSK	1	1	26.61	26.86	26.53

Part270 n77 PC2 Ant2						
BW [MHz]	Modulation	RB Size	RB Offset	Power Low Ch. / Freq.	Power Middle Ch. / Freq.	Power High Ch. / Freq.
Channel				650000	656000	662000
Frequency (MHz)				3750	3840	3930
100	QPSK	1	1	26.56	26.62	26.43

Part270 n77 PC2 Ant 3						
BW [MHz]	Modulation	RB Size	RB Offset	Power Low Ch. / Freq.	Power Middle Ch. / Freq.	Power High Ch. / Freq.
Channel				650000	656000	662000
Frequency (MHz)				3750	3840	3930
100	QPSK	1	1	26.52	26.81	26.59

Part270 n77 PC2 Ant 5						
BW [MHz]	Modulation	RB Size	RB Offset	Power Low Ch. / Freq.	Power Middle Ch. / Freq.	Power High Ch. / Freq.
Channel				650000	656000	662000
Frequency (MHz)				3750	3840	3930
100	QPSK	1	1	27.15	27.39	26.99



Part27Q n77 PC2 Ant1						
BW [MHz]	Modulation	RB Size	RB Offset	Power Low Ch. / Freq.	Power Middle Ch. / Freq.	Power High Ch. / Freq.
Channel					633334	
Frequency (MHz)					3500.01	
100	QPSK	1	1		25.65	

Part27Q n77 PC2						
BW [MHz]	Modulation	RB Size	RB Offset	Power Low Ch. / Freq.	Power Middle Ch. / Freq.	Power High Ch. / Freq.
Channel					633334	
Frequency (MHz)					3500.01	
100	QPSK	1	1		26.91	

Part27Q n77 PC2 Ant3 Default						
BW [MHz]	Modulation	RB Size	RB Offset	Power Low Ch. / Freq.	Power Middle Ch. / Freq.	Power High Ch. / Freq.
Channel					633334	
Frequency (MHz)					3500.01	
100	QPSK	1	1		26.95	

Part27Q n77 PC2 Ant5						
BW [MHz]	Modulation	RB Size	RB Offset	Power Low Ch. / Freq.	Power Middle Ch. / Freq.	Power High Ch. / Freq.
Channel					633334	
Frequency (MHz)					3500.01	
100	QPSK	1	1		27.37	



<WLAN Ant 4+6>

2.4GHz WLAN	Mode	Channel	Frequency (MHz)	Average power (dBm)
	802.11b 1Mbps	1	2412	24.42
		6	2437	24.34
		11	2462	24.36

<WLAN Ant 4+5>

5.2GHz WLAN	Mode	Channel	Frequency (MHz)	Average power (dBm)
	802.11a 6Mbps	36	5180	20.87
		44	5220	21.37
		48	5240	21.04

5.3GHz WLAN	Mode	Channel	Frequency (MHz)	Average power (dBm)
	802.11a 6Mbps	52	5260	21.06
		60	5300	21.12
		64	5320	21.19

5.5GHz WLAN	Mode	Channel	Frequency (MHz)	Average power (dBm)
	802.11a 6Mbps	100	5500	20.84
		116	5580	20.58
		144	5720	20.88

5.8GHz WLAN	Mode	Channel	Frequency (MHz)	Average power (dBm)
	802.11a 6Mbps	149	5745	22.52
		157	5785	22.24
		165	5825	22.31



13. HAC RF Emission Test Results

Table with 10 columns: Plot No., Air Interface, Modulation / Mode, Channel, Transmit Ant., Average Antenna Input Power (dBm), MIF, E-Field (dBV/m), Margin to FCC M3 limit (dB), E-Field M Rating. Rows 1-54.



55	FR1 n41_PC2	QPSK	509202	Ant 0	25.64	-1.64	17.57	17.43	M4
56	FR1 n41_PC2	QPSK	518598	Ant 0	26.02	-1.64	17.54	17.46	M4
57	FR1 n41_PC2	QPSK	528000	Ant 0	25.71	-1.64	16.56	18.44	M4
58	FR1 n41_PC2	QPSK	509202	Ant 1	26.18	-1.64	32.26	2.74	M3
59	FR1 n41_PC2	QPSK	518598	Ant 1	26.68	-1.64	30.41	4.59	M3
60	FR1 n41_PC2	QPSK	528000	Ant 1	26.42	-1.64	30.77	4.23	M3
61	FR1 n41_PC2	QPSK	509202	Ant 2	25.96	-1.64	17.68	17.32	M4
62	FR1 n41_PC2	QPSK	518598	Ant 2	26.32	-1.64	16.27	18.73	M4
63	FR1 n41_PC2	QPSK	528000	Ant 2	26.12	-1.64	16.71	18.29	M4
64	FR1 n41_PC2	QPSK	509202	Ant 3	26.01	-1.64	32.34	2.66	M3
65	FR1 n41_PC2	QPSK	518598	Ant 3	26.37	-1.64	33.47	1.53	M3
66	FR1 n41_PC2	QPSK	528000	Ant 3	26.07	-1.64	32.75	2.25	M3
67	Part27O FR1 n77 PC2	QPSK	650000	Ant 1	26.61	-1.64	24.32	10.68	M4
68	Part27O FR1 n77 PC2	QPSK	656000	Ant 1	26.86	-1.64	23.81	11.19	M4
69	Part27O FR1 n77 PC2	QPSK	662000	Ant 1	26.53	-1.64	22.79	12.21	M4
94	Part27Q FR1 n77 PC2	QPSK	633334	Ant 1	25.65	-1.64	24.65	10.35	M4
70	Part27O FR1 n77 PC2	QPSK	650000	Ant 2	26.56	-1.64	20.23	14.77	M4
71	Part27O FR1 n77 PC2	QPSK	656000	Ant 2	26.62	-1.64	22.07	12.93	M4
72	Part27O FR1 n77 PC2	QPSK	662000	Ant 2	26.43	-1.64	21.21	13.79	M4
95	Part27Q FR1 n77 PC2	QPSK	633334	Ant 2	26.91	-1.64	21.51	13.49	M4
73	Part27O FR1 n77 PC2	QPSK	650000	Ant 3	26.52	-1.64	34.63	0.37	M3
74	Part27O FR1 n77 PC2	QPSK	656000	Ant 3	26.81	-1.64	34.20	0.80	M3
75	Part27O FR1 n77 PC2	QPSK	662000	Ant 3	26.59	-1.64	32.19	2.81	M3
96	Part27Q FR1 n77 PC2	QPSK	633334	Ant 3	26.95	-1.64	34.08	0.92	M3
76	Part27O FR1 n77 PC2	QPSK	650000	Ant 5	27.15	-1.64	30.58	4.42	M3
77	Part27O FR1 n77 PC2	QPSK	656000	Ant 5	27.39	-1.64	29.58	5.42	M4
78	Part27O FR1 n77 PC2	QPSK	662000	Ant 5	26.99	-1.64	29.74	5.26	M4
97	Part27Q FR1 n77 PC2	QPSK	633334	Ant 5	27.37	-1.64	29.92	5.08	M4
79	WLAN2.4GHz	802.11b 1Mbps	1	Ant 4+6	24.42	-2.02	30.54	4.46	M3
80	WLAN2.4GHz	802.11b 1Mbps	6	Ant 4+6	24.34	-2.02	30.40	4.60	M3
81	WLAN2.4GHz	802.11b 1Mbps	11	Ant 4+6	24.36	-2.02	30.09	4.91	M3
82	WLAN5.2GHz	802.11a 6Mbps	36	Ant 5+4	22.31	-3.15	29.49	5.51	M4
83	WLAN5.2GHz	802.11a 6Mbps	44	Ant 5+4	22.4	-3.15	28.92	6.08	M4
84	WLAN5.2GHz	802.11a 6Mbps	48	Ant 5+4	22.52	-3.15	28.65	6.35	M4
85	WLAN5.3GHz	802.11a 6Mbps	52	Ant 5+4	22.61	-3.15	28.41	6.59	M4
86	WLAN5.3GHz	802.11a 6Mbps	60	Ant 5+4	22.64	-3.15	27.89	7.11	M4
87	WLAN5.3GHz	802.11a 6Mbps	64	Ant 5+4	22.69	-3.15	27.39	7.61	M4
88	WLAN5.5GHz	802.11a 6Mbps	100	Ant 5+4	22.46	-3.15	28.22	6.78	M4
89	WLAN5.5GHz	802.11a 6Mbps	116	Ant 5+4	22.5	-3.15	29.99	5.01	M4
90	WLAN5.5GHz	802.11a 6Mbps	144	Ant 5+4	22.56	-3.15	30.95	4.05	M3
91	WLAN5.8GHz	802.11a 6Mbps	149	Ant 5+4	22.52	-3.15	31.24	3.76	M3
92	WLAN5.8GHz	802.11a 6Mbps	157	Ant 5+4	22.24	-3.15	31.25	3.75	M3
93	WLAN5.8GHz	802.11a 6Mbps	165	Ant 5+4	22.31	-3.15	31.15	3.85	M3

Remark:

1. The HAC measurement system applies MIF value onto the measured RMS E-field, which is indirect method in ANSI C63.19 2011 version, and reports the RF audio interference level.
2. Phone Condition: Mute on; Backlight off; Max Volume

Test Engineer : Martin Li, Varus Wang, Light Wang, Ricky Gu



## **14. Uncertainty Assessment**

The component of uncertainty may generally be categorized according to the methods used to evaluate them. The evaluation of uncertainty by the statistical analysis of a series of observations is termed a Type A evaluation of uncertainty. The evaluation of uncertainty by means other than the statistical analysis of a series of observation is termed a Type B evaluation of uncertainty. Each component of uncertainty, however evaluated, is represented by an estimated standard deviation, termed standard uncertainty, which is determined by the positive square root of the estimated variance.

The combined standard uncertainty of the measurement result represents the estimated standard deviation of the result. It is obtained by combining the individual standard uncertainties of both Type A and Type B evaluation using the usual “root-sum-squares” (RSS) methods of combining standard deviations by taking the positive square root of the estimated variances. Expanded uncertainty is a measure of uncertainty that defines an interval about the measurement result within which the measured value is confidently believed to lie. It is obtained by multiplying the combined standard uncertainty by a coverage factor. For purpose of this document, a coverage factor two is used, which corresponds to confidence interval of about 95 %. The DASY uncertainty Budget is showed in Table 14.1.

The judgment of conformity in the report is based on the measurement results excluding the measurement uncertainty.





Error Description	Uncertainty Value (±%)	Probability	Divisor	(Ci) E	Standard Uncertainty (E) (±%)
<b>Measurement System</b>					
Probe Calibration	5.1	N	1	1	5.1
Axial Isotropy	4.7	R	1.732	1	2.7
Sensor Displacement	16.5	R	1.732	1	9.5
Boundary Effects	2.4	R	1.732	1	1.4
Phantom Boundary Effect	7.2	R	1.732	1	4.2
Linearity	4.7	R	1.732	1	2.7
Scaling with PMR calibration	10.0	R	1.732	1	5.8
System Detection Limit	1.0	R	1.732	1	0.6
Readout Electronics	0.3	N	1	1	0.3
Response Time	2.6	R	1.732	1	1.5
Integration Time	2.6	R	1.732	1	1.5
RF Ambient Conditions	3.0	R	1.732	1	1.7
RF Reflections	12.0	R	1.732	1	6.9
Probe Positioner	1.2	R	1.732	1	0.7
Probe Positioning	4.7	R	1.732	1	2.7
Extrap. and Interpolation	1.0	R	1.732	1	0.6
<b>Test Sample Related</b>					
Device Positioning Vertical	4.7	R	1.732	1	2.7
Device Positioning Lateral	1.0	R	1.732	1	0.6
Device Holder and Phantom	2.4	R	1.732	1	1.4
Power Drift	5.0	R	1.732	1	2.9
<b>Phantom and Setup Related</b>					
Phantom Thickness	2.4	R	1.732	1	1.4
<b>Combined Std. Uncertainty</b>					16.4%
<b>Coverage Factor for 95 %</b>					K=2
<b>Expanded STD Uncertainty</b>					32.7%

**Table 14.1 Uncertainty Budget of HAC free field assessment**



## **15. References**

- [1] ANSI C63.19-2011, "American National Standard for Methods of Measurement of Compatibility between Wireless Communications Devices and Hearing Aids", 27 May 2011.
- [2] FCC KDB 285076 D01v06r02, "Equipment Authorization Guidance for Hearing Aid Compatibility", September 19, 2022
- [3] FCC KDB 285076 D03v01r06, "Hearing aid compatibility frequently asked questions", July 20, 2022.
- [4] SPEAG DASY System Handbook

-----THE END-----