



# HEARING AID COMPATIBILITY T-COIL TEST REPORT

**FCC ID** : IHDT56AJ5  
**Equipment** : Mobile Cellular Phone  
**Brand Name** : Motorola  
**Model Name** : XT2321-1  
**T-Rating** : T4  
**Applicant** : Motorola Mobility LLC  
222 W,Merchandise Mart Plaza, Chicago IL 60654 USA  
**Manufacturer** : Motorola Mobility LLC  
222 W,Merchandise Mart Plaza, Chicago IL 60654 USA  
**Standard** : FCC 47 CFR §20.19  
ANSI C63.19-2011

The product was received on Jan. 18, 2023 and testing was started from Feb. 03, 2023 and completed on Feb. 04, 2023. We, SPORTON INTERNATIONAL INC., would like to declare that the tested sample provide by manufacturer and the test data has been evaluated in accordance with the test procedures given in ANSI 63.19-2011 / 47 CFR Part 20.19 and has been pass the FCC requirement.

The test results in this report apply exclusively to the tested model / sample. Without written approval of SPORTON INTERNATIONAL INC. Laboratory, the test report shall not be reproduced except in full.

Approved by: Cona Huang / Deputy Manager

**SPORTON INTERNATIONAL INC. EMC & Wireless Communications Laboratory**  
No. 52, Huaya 1st Rd., Guishan Dist., Taoyuan City, Taiwan (R.O.C.)



**Table of Contents**

1. **Attestation of Test Results** ..... 4

2. **General Information** ..... 5

3. **Testing Location**..... 6

4. **Applied Standards** ..... 6

5. **Air Interface and Operating Mode**..... 7

6. **Measurement standards for T-Coil** ..... 8

    6.1 Frequency Response ..... 8

    6.2 T-Coil Signal Quality Categories ..... 9

    6.3 Description of EUT Test Position ..... 10

7. **T-Coil Test Procedure** ..... 11

    7.1 Test Flow Chart ..... 12

    7.2 Test Setup Diagram for GSM/CDMA/UMTS/LTE/WiFi OTT Voice Calling ..... 13

    7.3 PAG Reuse section: HAC T-coil measurement procedures for 5G NR ..... 15

8. **Test Equipment List**..... 16

9. **T-Coil testing for OTT Voice Calling** ..... 17

    9.1 5G FR1 OTT evaluation ..... 20

10. **Uncertainty Assessment** ..... 21

11. **References**..... 22

- Appendix A. Plots of T-Coil Measurement
- Appendix B. DASYS Calibration Certificate
- Appendix C. Test Setup Photos



### History of this test report

| Report No.  | Version | Description             | Issued Date   |
|-------------|---------|-------------------------|---------------|
| HA2D0933-01 | Rev. 01 | Initial issue of report | Mar. 07, 2023 |
|             |         |                         |               |
|             |         |                         |               |



**1. Attestation of Test Results**

| Air Interface  | Band MHz             | T-Rating | Frequency Response | Magnetic Intensity |
|----------------|----------------------|----------|--------------------|--------------------|
| OTT over EDGE  | EDGE850              | T4       | Pass               | Pass               |
|                | EDGE1900             | T4       | Pass               | Pass               |
| OTT over UMTS  | Band 2               | T4       | Pass               | Pass               |
|                | Band 4               | T4       | Pass               | Pass               |
|                | Band 5               | T4       | Pass               | Pass               |
| OTT over LTE   | Band 7               | T4       | Pass               | Pass               |
|                | Band 48              | T4       | Pass               | Pass               |
| OTT over 5G NR | n7                   | T4       | Pass               | Pass               |
|                | n41                  | T4       | Pass               | Pass               |
| OTT over WiFi  | 2450                 | T4       | Pass               | Pass               |
|                | 5300                 | T4       | Pass               | Pass               |
| Date Tested    | 12023/2/3 ~ 2023/2/4 |          |                    |                    |

The device is compliance with HAC limits specified in guidelines FCC 47CFR §20.19 and ANSI Standard ANSI C63.19.

**Reviewed by: Jason Wang**  
**Report Producer: Paula Chen**



**2. General Information**

| Product Feature & Specification |   |
|---------------------------------|---|
| Applicant Name                  | Motorola Mobility LLC   |
| Equipment Name                  | Mobile Cellular Phone   |
| Brand Name                      | Motorola  |
| Model Name                      | XT2321-1  |
| S/N                             | NJNR250010  |
| FCC ID                          | IHDT56AJ5   |
| HW                              | DVT2  |
| SW                              | TTZ33.61  |
| EUT Stage                       | Identical Prototype   |
| Frequency Band                  | GSM850: 824.2 MHz ~ 848.8 MHz<br>GSM1900: 1850.2 MHz ~ 1909.8 MHz<br>WCDMA Band II: 1850 MHz ~ 1910 MHz<br>WCDMA Band IV: 1710 MHz ~ 1755 MHz<br>WCDMA Band V: 824 MHz ~ 849 MHz<br>LTE Band 2: 1850 MHz ~ 1910 MHz<br>LTE Band 4: 1710 MHz ~ 1755 MHz<br>LTE Band 5: 824 MHz ~ 849 MHz<br>LTE Band 7: 2500 MHz ~ 2570 MHz<br>LTE Band 12: 699 MHz ~ 716 MHz<br>LTE Band 13: 777 MHz ~ 787 MHz<br>LTE Band 17: 704 MHz ~ 716 MHz<br>LTE Band 25: 1850 MHz ~ 1915 MHz<br>LTE Band 26: 814 MHz ~ 849 MHz<br>LTE Band 38: 2570 MHz ~ 2620 MHz<br>LTE Band 41: 2496 MHz ~ 2690 MHz<br>LTE Band 42: 3450 MHz ~ 3550MHz, 3550 MHz ~ 3600MHz<br>LTE Band 43: 3600 MHz ~ 3700MHz<br>LTE Band 48: 3550 MHz ~ 3700 MHz<br>LTE Band 66: 1710 MHz ~ 1780 MHz<br>5G NR n5 : 824 MHz ~ 849 MHz<br>5G NR n7 : 2500 MHz ~ 2570 MHz<br>5G NR n38 : 2570 MHz ~ 2620 MHz<br>5G NR n41 : 2496 MHz ~ 2690 MHz<br>5G NR n66 : 1710 MHz ~ 1780 MHz<br>5G NR n77: 3700 MHz ~ 3980 MHz<br>5G NR n78: 3700 MHz ~ 3800 MHz<br>WLAN 2.4GHz Band: 2412 MHz ~ 2462 MHz<br>WLAN 5.2GHz Band: 5180 MHz ~ 5240 MHz<br>WLAN 5.3GHz Band: 5260 MHz ~ 5320 MHz<br>WLAN 5.5GHz Band: 5500 MHz ~ 5720 MHz<br>WLAN 5.8GHz Band: 5745 MHz ~ 5825 MHz<br>WLAN 6E U-NII-5: 5925 MHz ~ 6425 MHz<br>WLAN 6E U-NII-6: 6425 MHz ~ 6525 MHz<br>WLAN 6E U-NII-7: 6525 MHz ~ 6875 MHz<br>WLAN 6E U-NII-8: 6875 MHz ~ 7125 MHz<br>Bluetooth: 2400 MHz ~ 2483.5 MHz<br>NFC : 13.56 MHz |
| Mode                            | GSM/GPRS/EGPRS<br>RMC/AMR 12.2Kbps<br>HSDPA<br>HSUPA<br>DC-HSDPA<br>HSPA+(16QAM uplink is supported)<br>LTE: QPSK, 16QAM, 64QAM, 256QAM<br>5G NR: DFT-s-OFDM/CP-OFDM, Pi/2 BPSK/QPSK/16QAM/64QAM/256QAM<br>WLAN 2.4GHz 802.11b/g/n HT20/HT40<br>WLAN 2.4GHz 802.11ax HE20/HE40<br>WLAN 5GHz 802.11a/n HT20/HT40<br>WLAN 5GHz 802.11ac/ax VHT20/VHT40/VHT80/VHT160/HE20/HE40/HE80/HE160<br>WLAN 6GHz 802.11a<br>WLAN 6GHz 802.11ax HE20/HE40/HE80/HE160<br>Bluetooth BR/EDR/LE<br>NFC:ASK  |
| Remark:                         | 1. In this report only evaluation OTT calling, the CMRS voice evaluation include in the report no.: HA2D0913-01B.   |



### **3. Testing Location**

Sporton Lab is accredited to ISO 17025 by Taiwan Accreditation Foundation (TAF code: 1190) and the FCC designation No. TW1190 under the FCC 2.948(e) by Mutual Recognition Agreement (MRA) in FCC test.

| Testing Laboratory |   |
|--------------------|---|
| Test Site          | SPORTON INTERNATIONAL INC.  |
| Test Site Location | No. 52, Huaya 1st Rd., Guishan Dist., Taoyuan City, Taiwan (R.O.C.)<br>TEL: +886-3-327-3456<br>FAX: +886-3-328-4978 |
| Test Site No.      | Sporton Site No.:<br><b>SAR04-HY</b>  |

### **4. Applied Standards**

- FCC CFR47 Part 20.19
- ANSI C63.19 2011-version
- FCC KDB 285076 D01 HAC Guidance v06r02
- FCC KDB 285076 D02 T Coil testing v04
- FCC KDB 285076 D03 HAC FAQ v01r06



**5. Air Interface and Operating Mode**

| Air Interface | Band MHz | Type | C63.19 Tested     | Simultaneous Transmitter                  | Name of Voice Service  | Power Reduction |
|---------------|----------|------|-------------------|---|--|-----------------|
| GSM           | GSM850   | VO   | Yes               | WLAN, BT                                  | CMRS Voice   | No              |
|               | GSM1900  |      |                   | WLAN, BT                                  |  | No              |
|               | EDGE850  | VD   | Yes               | WLAN, BT                                  | Google Duo <sup>(1)</sup><br>google Fi                               | No              |
|               | EDGE1900 |      |                   | WLAN, BT                                  |  | No              |
| UMTS          | Band II  | VO   | Yes               | WLAN, BT                                  | CMRS Voice   | No              |
|               | Band IV  |      |                   | WLAN, BT                                  |  | No              |
|               | Band V   |      |                   | WLAN, BT                                  |  | No              |
|               | HSPA     | VD   | Yes               | WLAN, BT                                  | Google Duo <sup>(1)</sup><br>google Fi                               | No              |
| LTE (FDD)     | Band 2   | VD   | Yes               | 5G NR, WLAN, BT                           | VoLTE<br>/<br>Google Duo <sup>(1)</sup><br>google Fi                 | No              |
|               | Band 4   |      |                   | 5G NR, WLAN, BT                           |  | No              |
|               | Band 5   |      |                   | 5G NR, WLAN, BT                           |  | No              |
|               | Band 7   |      |                   | 5G NR, WLAN, BT                           |  | No              |
|               | Band 12  |      |                   | 5G NR, WLAN, BT                           |  | No              |
|               | Band 13  |      |                   | 5G NR, WLAN, BT                           |  | No              |
|               | Band 17  |      |                   | 5G NR, WLAN, BT                           |  | No              |
|               | Band 25  |      |                   | 5G NR, WLAN, BT                           |  | No              |
|               | Band 26  |      |                   | 5G NR, WLAN, BT                           |  | No              |
|               | Band 66  |      |                   | 5G NR, WLAN, BT                           |  | No              |
| LTE (TDD)     | Band 38  | VD   | Yes               | 5G NR, WLAN, BT                           | VoNR<br>/<br>Google Duo <sup>(1)</sup><br>google Fi                  | No              |
|               | Band 41  |      |                   | 5G NR, WLAN, BT                           |  | No              |
|               | Band 42  |      |                   | 5G NR, WLAN, BT                           |  | No              |
|               | Band 43  |      |                   | 5G NR, WLAN, BT                           |  | No              |
|               | Band 48  |      |                   | 5G NR, WLAN, BT                           |  | No              |
| 5G NR (FDD)   | n5       | VD   | Yes               | LTE, WLAN, BT                             | VoNR<br>/<br>Google Duo <sup>(1)</sup><br>google Fi                  | No              |
|               | n7       |      |                   | LTE, WLAN, BT                             |  | No              |
|               | n66      |      |                   | LTE, WLAN, BT                             |  | No              |
| 5G NR (TDD)   | n38      | VD   | Yes               | LTE, WLAN, BT                             | VoNR<br>/<br>Google Duo <sup>(1)</sup><br>google Fi                  | No              |
|               | n41      |      |                   | LTE, WLAN, BT                             |  | No              |
|               | n77      |      |                   | LTE, WLAN, BT                             |  | No              |
|               | n78      |      |                   | LTE, WLAN, BT                             |  | No              |
| Wi-Fi         | 2450     | VD   | Yes               | GSM,WCDMA,LTE,5G NR, WLAN 5GHz, WLAN 6GHz | VoWiFi <sup>(1)</sup><br>/<br>Google Duo <sup>(1)</sup><br>google Fi | No              |
|               | 5200     | VD   | Yes               | GSM,WCDMA,LTE,5G NR, BT, WLAN 2.4GHz      |  | No              |
|               | 5300     |      |                   |   | No   |                 |
|               | 5500     |      |                   |   | No   |                 |
|               | 5800     |      |                   |   | No   |                 |
|               | U-NII-5  | VD   | No <sup>(3)</sup> | GSM,WCDMA,LTE,5G NR, BT, WLAN 2.4GHz      | Google Duo <sup>(1)</sup><br>google Fi                               | No              |
|               | U-NII-6  |      |                   |   |  | No              |
|               | U-NII-7  |      |                   |   |  | No              |
| U-NII-8       | No       |      |                   |   |  |                 |
| BT            | 2450     | DT   | No                | GSM,WCDMA,LTE,5G NR, WLAN 5GHz, WLAN 6GHz | NA   | No              |

**Type Transport:**  
VO= Voice only  
DT= Digital Transport only (no voice)  
VD= CMRS and IP Voice Service over Digital Transport

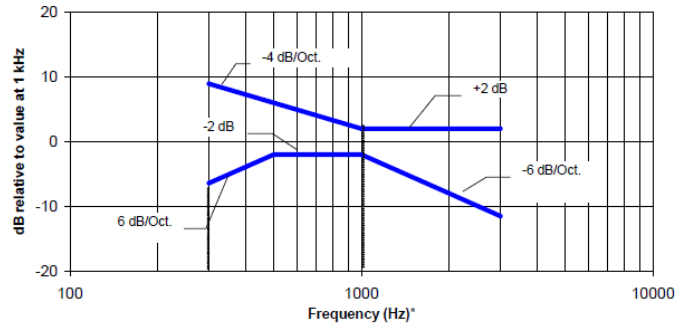
- Remark:**
- For protocols not listed in Table 7.1 of ANSI C63.19-2011 or the ANSI C63.19-2011 VoLTE interpretation, the average speech level of -20 dBm0 should be used.
  - The device have similar frequency in some LTE/5G NR FR1 Bands: LTE B12/17, 2/25, 5/26, 4/66, 38/41, 66/4, 43/48, 5G NR n38/41, 5G NR n77/78 since the supported frequency spans for the smaller LTE /5G NR FR1 bands are completely cover by the larger LTE/5G NR FR1 bands, therefore, only larger LTE/5G NR FR1 bands were required to be tested for hearing-aid compliance.
  - The WiFi 6E U-NII-5/6/7/8 are currently outside the scope of ANSI 63.19 and FCC HAC regulations therefore, they were not evaluated.
  - The google duo and google Fi the audio path, parameter and audio codec are all the same, therefore, the google duo is evaluation for this device to show compliance.

## 6. Measurement standards for T-Coil

### 6.1 Frequency Response

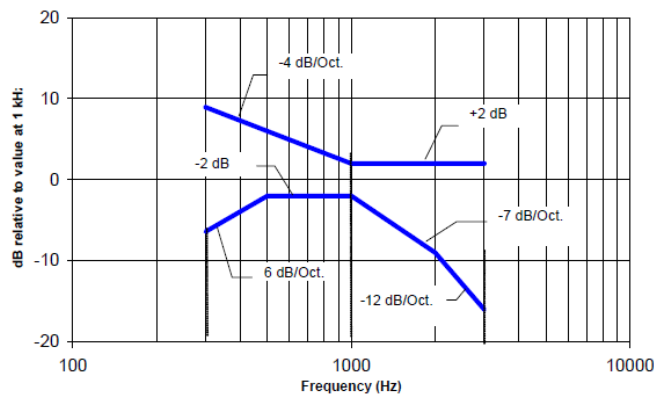
The frequency response of the perpendicular component of the magnetic field, measured in 1/3 octave bands, shall follow the response curve specified in this sub-clause, over the frequency range 300 Hz to 3000 Hz.

Figure 1.1 and Figure 1.2 provide the boundaries as a function of frequency. These response curves are for true field-strength measurements of the T-Coil signal. Thus, the 6 dB/octave probe response has been corrected from the raw readings.



NOTE—The frequency response is between 300 Hz and 3000 Hz.

**Fig. 1.1 Magnetic field frequency response for WDs with field strength  $\leq -15$  dB at 1 kHz**



NOTE—The frequency response is between 300 Hz and 3000 Hz.

**Fig. 1.2 Magnetic field frequency response for WDs with a field that exceeds  $-15$  dB(A/m) at 1 kHz**





**6.2 T-Coil Signal Quality Categories**

This section provides the signal quality requirement for the intended T-Coil signal from a WD. Only the RF immunity of the hearing aid is measured in T-Coil mode. It is assumed that a hearing aid can have no immunity to an interference signal in the audio band, which is the intended reception band for this mode. A device is assessed beginning by determining the category of the RF environment in the area of the T-Coil source.

The RF measurements made for the T-Coil evaluation are used to assign the category T1 through T4. The limitation is given in Table 1. This establishes the RF environment presented by the WD to a hearing aid.

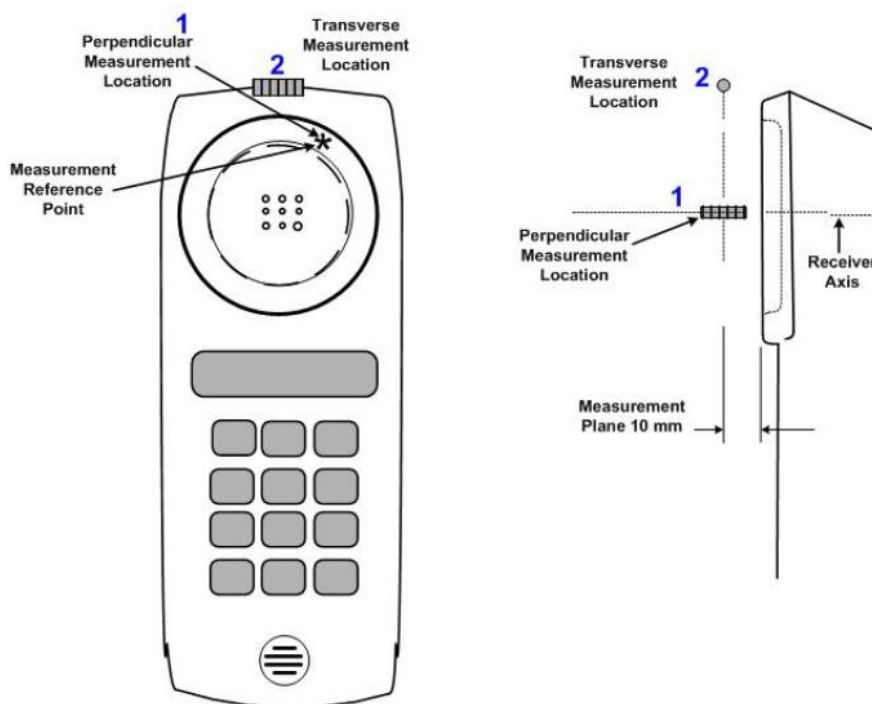
| Category    | Telephone parameters WD signal quality ((signal + noise) to noise ratio in dB) |
|-------------|--|
| Category T1 | 0 to 10 dB   |
| Category T2 | 10 to 20 dB  |
| Category T3 | 20 to 30 dB  |
| Category T4 | > 30 dB  |

**Table 1 T-Coil Signal Quality Categories**

**6.3 Description of EUT Test Position**

Fig.3 illustrate the references and reference plane that shall be used in a typical EUT emissions measurement. The principle of this section is applied to EUT with similar geometry. Please refer to Appendix C for the setup photographs.

- ◆ The area is 5 cm by 5 cm.
- ◆ The area is centered on the audio frequency output transducer of the EUT.
- ◆ The area is in a reference plane, which is defined as the planar area that contains the highest point in the area of the phone that normally rests against the user’s ear. It is parallel to the centerline of the receiver area of the phone and is defined by the points of the receiver-end of the EUT handset, which, in normal handset use, rest against the ear.
- ◆ The measurement plane is parallel to, and 10 mm in front of, the reference plane.



**Fig.3 A typical EUT reference and plane for T-Coil measurements**



## **7. T-Coil Test Procedure**

Referenced to ANSI C63.19-2011, Section 7.4

This section describes the procedures used to measure the ABM (T-Coil) performance of the WD. In addition to measuring the absolute signal levels, the A-weighted magnitude of the unintended signal shall also be determined. To assure that the required signal quality is measured, the measurement of the intended signal and the measurement of the unintended signal must be made at the same location for each measurement position. In addition, the RF field strength at each measurement location must be at or below that required for the assigned category.

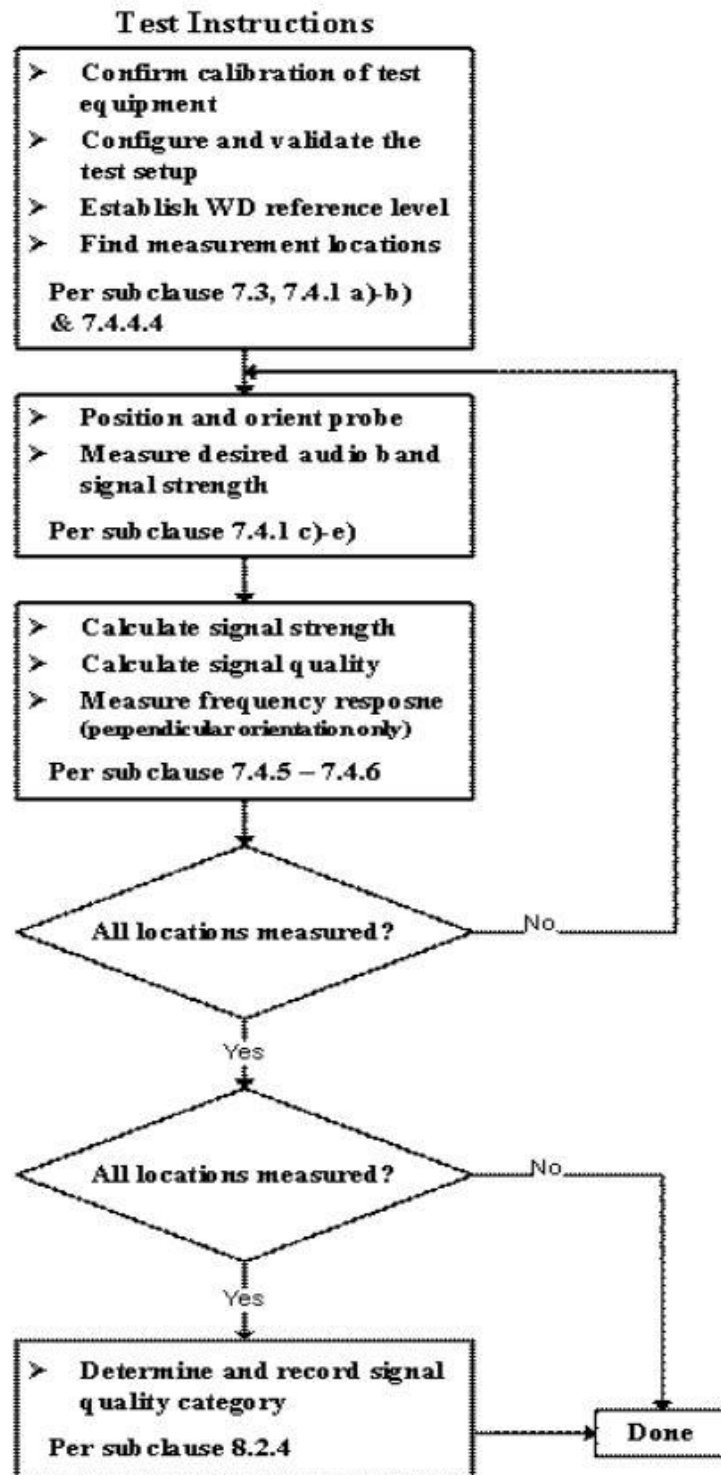
Measurements shall not include undesired properties from the WD's RF field; therefore, use of a coaxial connection to a base station simulator or non-radiating load, there might still be RF leakage from the WD, which can interfere with the desired measurement. Pre-measurement checks should be made to avoid this possibility. All measurements shall be performed with the WD operating on battery power with an appropriate normal speech audio signal input level given in ANSI C63.19-2011 Table 7.1. If the device display can be turned off during a phone call, then that may be done during the measurement as well,

Measurement shall be performed at two locations specified in ANSI C63.19-2011 A.3, with the correct probe orientation for a particular location, in a multistage sequence by first measuring the field intensity of the desired T-Coil signal the same location as the desired ABM or T-Coil signal (ABM1), and the ratio of desired to undesired magnetic components (ABM2) must be measured at the same location as the desired ABM or T-Coil signal (ABM1), and the ratio of desired to undesired ABM signals must be calculated. For the perpendicular field location, only the ABM1 frequency response shall be determined in a third measurement stage.

The following steps summarize the basic test flow for determining ABM1 and ABM2. These steps assume that a sine wave or narrowband 1/3 octave signal can be used for the measurement of ABM1.

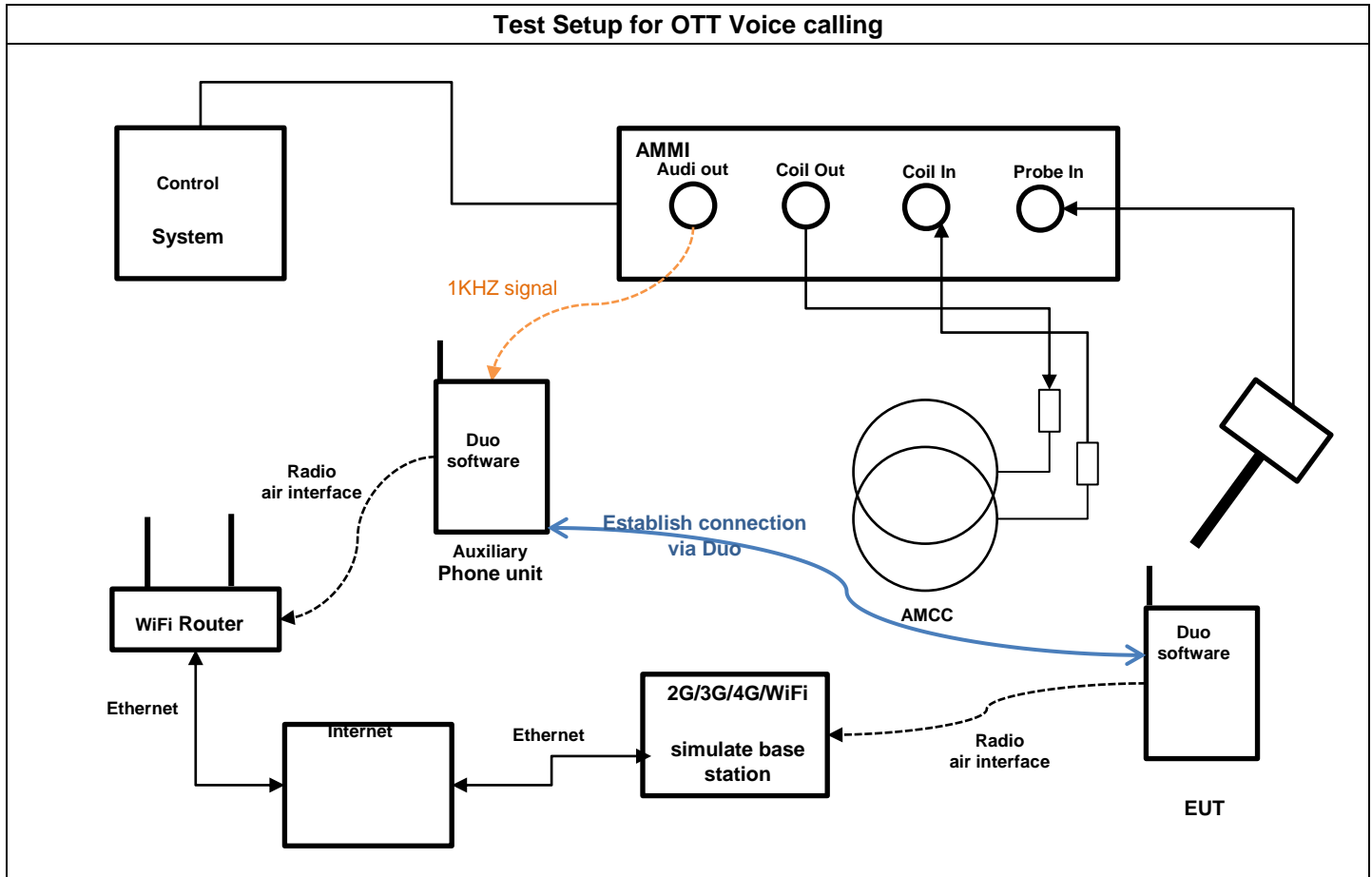
- a. A validation of the test setup and instrumentation may be performed using a TMFS or Helmholtz coil Measure the emissions and confirm that they are within the specified tolerance.
- b. Position the WD in the test setup and connect the WD RF connector to a base station simulator or a non-radiating load. Confirm that equipment that requires calibration has been calibrated, and that the noise level meets the requirements given in ANSI C63.19-2011 clause 7.3.1.
- c. The drive level to the WD is set such that the reference input level specified in ANSI C63.19-2011 Table 7.1 is input to the base station simulator (or manufacturer's test mode equivalent) in 1 kHz, 1/3 octave band. This drive level shall be used for the T-Coil signal test (ABM1) at  $f = 1$  kHz. Either a sine wave at 1025 Hz or a voice-like signal, band-limited to the 1 kHz 1/3 octave, as defined in ANSI C63.19-2011 clause 7.4.2, shall be used for the reference audio signal. If interference is found at 1025 Hz an alternative nearby reference audio signal frequency may be used. The same drive level shall be used for the ABM1 frequency response measurements at each 1/3 octave band center frequency. The WD volume control may be set at any level up to maximum, provided that a signal at any frequency at maximum modulation would not result in clipping or signal overload.
- d. Determine the magnetic measurement locations for the WD device (A.3), if not already specified by the manufacturer, as described in ANSI C63.19-2011 clause 7.4.4.1.1 and 7.4.4.2.
- e. At each measurement location, measure and record the desired T-Coil magnetic signals (ABM1 at  $f_i$ ) as described in ANSI C63.19-2011 clause 7.4.4.2 in each individual ISO 266-1975 R10 standard 1/3 octave band. The desired audio band input frequency ( $f_i$ ) shall be centered in each 1/3 octave band maintaining the same drive level as determined in item c) and the reading taken for that band.
- f. Equivalent methods of determining the frequency response may also be employed, such as fast Fourier transform (FFT) analysis using noise excitation or input-output comparison using simulated speech. The full-band integrated probe output, as specified in D.9, may be used, as long as the appropriate calibration curve is applied to the measured result, so as to yield an accurate measurement of the field magnitude. (The resulting measurement shall be an accurate measurement in dB A/m.)
- g. All Measurements of the desired signal shall be shown to be of the desired signal and not of an undesired signal. This may be shown by turning the desired signal ON and OFF with the probe measuring the same location. If the scanning method is used the scans shall show that all measurement points selected for the ABM1 measurement meet the ambient and test system noise criteria in ANSI C63.19-2011 clause 7.3.1.
- h. At the measurement location for each orientation, measure and record the undesired broadband audio magnetic signal (ABM2) as specified in ANSI C63.19-2011 clause 7.4.4.4 with no audio signal applied (or digital zero applied, if appropriate) using A-weighting and the half-band integrator. Calculate the ratio of the desired to undesired signal strength (i.e., signal quality).
- i. Obtain the data from the postprocessor, SEMCAD, and determine the category that properly classifies the signal quality based on ANSI C63.19-2011 Table 8.5.

**7.1 Test Flow Chart**



**Fig. 2 T-Coil Signal Test flowchart**

**7.2 Test Setup Diagram for GSM/CDMA/UMTS/LTE/WiFi OTT Voice Calling**



**General Note:**

1. Define the all applicable input audio level as below according to C63 and KDB 285076 D02v03:  
 - OTT Voice calling input Level: -20dBm0
2. OTT voice, such as that enabled when a user opts to communicate in a voice-only mode using the Google Duo application, is a methodology and group of technologies for the delivery of voice communications and multimedia sessions over the internet. The terms Internet telephony, broadband telephony, and broadband phone service specifically refer to the provisioning of communications services (voice, fax, SMS, voice-messaging) over the public Internet, rather than via the public switched telephone network (PSTN).
3. Google Duo application support code and bitrate are listed in section 11, and the customized Google Duo software is installed on a mobile phone that is used as the Auxiliary for the test. The software enables the audio coding rate to be changed, and reports the input digital audio level before audio processing, which can be used to calibrate the input audio level.
4. This device comes with the preinstalled OTT application that supports the voice-only communication option on the Google Duo application and related codec. The test configuration establishes a call between the device under test and an auxiliary handset via Google Duo server.
5. The test setup used for Google Duo OTT voice-only communication is via the data application unit on the simulate base station, connected to the internet via the Google Duo server to the auxiliary device. The auxiliary device runs special software that allows the codecs and bit rate to be fixed to a specific value. Please refer to section 11. An assessment was made of each of the different codec bit rates to determine the worst case for each different OTT transport (WiFi, LTE, GSM, WCDMA).
6. The auxiliary device includes software that displays the audio level in dBFS, which allows calibration of the system to establish the -20dBm0 reference level. After establishing the voice-only communication between auxiliary device and device under test, the audio output from the AMMI is injected into the auxiliary device. The gain factor to establish a reference level of -20dBm0 for use during the test is determined as detailed in the next page based on the 0dBFull Scale (0dBFS) value being equivalent to 3.14dBm0.
7. T-coil performance assessment for 5G FR1 was performed according to KDB 285076 D03, Q&A 9, details are illustrated in section 7.4.

**<Define the input level for OTT Voice Calling>**

1. The Required gain factor for the specific signal shall typically be multiplied by this factor to achieve approx. the same level as for the 1kHz sine signal
2. The below calculation formula is an example and showing how to determine the input level for the device.
3. Input a gain value to readout the -23dBFS level as reference. (0dBFS = 3.14 dBm0)
4. Adjust gain level until to readout the dBFS level until it changes to -24dBFS.
5. Based on the step 1 and 2, and then calculate the gain value(dB) by interpolation to get the -20dBm0 corresponding gain value.

The predefined signal types have the following differences / factors compared to the 1kHz sine signal:

| Signal [file name]            | Duration [s] | Peak-to-RMS [dB] | RMS [dB] | Required gain factor *) | Gain setting |
|-------------------------------|--------------|------------------|----------|-------------------------|--------------|
| 1kHz sine                     | ---          | 3.0              | 0.0      | 1.00                    |              |
| 48k_1.025kHz_10s.wav          | 10           | 3.0              | 0.0      | 1.00                    |              |
| 48k_1kHz_3.15kHz_10s.wav      | 10           | 6.0              | -3.0     | 1.42                    |              |
| 48k_315Hz_1kHz_10s.wav        | 10           | 6.0              | -2.9     | 1.40                    |              |
| 48k_csek_8k_441_white_10s.wav | 10           | 13.8             | -10.5    | 3.34                    |              |
| 48k_multisine_50-5000_10s.wav | 10           | 11.1             | -7.9     | 2.49                    |              |
| 48k_voice_1kHz_1s.wav         | 1            | 16.2             | -12.7    | 4.33                    |              |
| 48k_voice_300-3000_2s.wav     | 2            | 21.6             | -18.6    | 8.48                    |              |

(\*) The gain for the specific signal shall typically be multiplied by this factor to achieve approx. the same level as for the 1kHz sine signal.

Insert the gain applicable for your setup in the last column of the table.

| Step  | Signal type  | Audio out        |                 | Target Level |            |
|---|--|------------------|-----------------|--------------|------------|
|   |  | Gain value       | Gain value (dB) | dBFS         | dBm0       |
| Step 1  | 1KHz Sine  | 7.7              | 17.73 (Ref.)    | -23          |            |
| Step 2  | 1KHz Sine  | 6.8              | 16.65           | -24          |            |
| Step 3  | 1KHz Sine  | 7.57**           | 17.58*          | -23.14       | -20        |
| Remark  | (*) Based on the step 1 and 2 and then via interpolation to get this value.<br>(**) Gain value=10 <sup>Gain value(dB)/20</sup> |                  |                 |              |            |
| Signal type   | Duration (s)   | Peak to RMS (dB) | RMS (dB)        | Gain Factor  | Gain value |
| 1kHz sine   |  | 3                | 0               | 1            | 7.57       |
| 48k_voice_1kHz_1s.wav   | 1  | 16.2             | -12.7           | 4.33         | 32.77      |
| 48k_voice_300-3000_2s.wav   | 2  | 21.6             | -18.6           | 8.48         | 64.79      |
| 1. According to the gain setting for 1kHz sine wave, determine the gain setting for signals above.<br>2. The gain for the specific signal is multiplied by this factor to achieve the same level as for the 1kHz sine signal. |  |                  |                 |              |            |



**7.3PAG Reuse section: HAC T-coil measurement procedures for 5G NR**

**5G VoNR test procedure:**

1. According to KDB 285076 D03 Q&A 9 , for 5G Sub 6 calls that use the same protocol, Codec(s) and reference level as VoLTE over LTE (i.e. -16 dBm0).
2. For LTE, establish the ABM1S65G value by using the ABM1LTE magnetic intensity for an LTE call in the same band as the 5G sub6 band under test.
3. For VoNR, establish the ABM1S65G value by using an IP connection for magnetic intensity for a call in the same band as the 5G sub6 band under test
4. Also note the actual ABM2LTE value and establish an ABM2S65G value, using a 5G manufacture test mode over 5G Sub 6 channels for the same band under test.
5. Document in the test report matrix:
  - a. Include columns for both ABM2LTE & ABM2S65G for comparison
  - b. Establish the S+N1/N2 for the rating
    - i. S+N1 = ABM1LTE (step 1) and
    - ii. N2 = ABM2S65G (step 2).
    - iii. Subtract 3 dB from S+N1/N2
  - c. Rating based on (ABM1LTE/ ABM2S65G) -3dB.

| Air Interface | BW (MHz) | Modulation | RB Size | RB offset | Channel | Probe Position | (1) ABM1 dB (A/m) | (2) ABM2 dB (A/m) | Signal Quality dB | (3) Signal Quality -3 dB | T Rating | Ambient Noise dB (A/m) | Freq. Response Variation dB |
|---------------|----------|------------|---------|-----------|---------|----------------|-------------------|-------------------|-------------------|--------------------------|----------|------------------------|-----------------------------|
| LTE Band 26   | 15M      | QPSK       | 1       | 0         | 26865   | Axial (Z)      | 4.17              | -51.51            | 55.68             | -                        | T4       | -50.32                 | 1.03                        |
|               |          |            |         |           |         | Transversal(Y) | -5.34             | -50.23            | 44.89             | -                        | T4       | -50.27                 |                             |
| FR1 n5        | 20M      | BPSK       | 1       | 1         | 167300  | Axial (Z)      | 4.17              | -50.22            | 54.39             | 51.39                    | T4       | -50.42                 | NA                          |
|               |          |            |         |           |         | Transversal(Y) | -5.34             | -49.78            | 44.44             | 41.44                    | T4       | -50.34                 |                             |

**5G NR OTT test procedure:**

1. According to KDB 285076 D03 Q&A 9 , for 5G Sub 6 calls that use the same protocol, Codec(s) and reference level as OTT calls (such as Google Duo)
2. For OTT, establish the ABM1S65G value by using an IP connection for magnetic intensity for a call in the same LTE band as the 5G sub6 band under test
3. Also note the actual ABM2LTE/OTT value and establish an ABM2S65G value, using a 5G manufacture test mode over 5G Sub 6 channels for the same band under test.
4. Document in the test report matrix:
  - a. Include columns for both ABM2LTE & ABM2S65G for comparison
  - b. Establish the S+N1/N2 for the rating
    - iv. S+N1 = ABM1LTE (step 1) and
    - v. N2 = ABM2S65G (step 2).
    - vi. Subtract 3 dB from S+N1/N2
  - c. Rating based on (ABM1LTE/ ABM2S65G) -3dB.

| Air Interface | BW (MHz) | Modulation | RB Size | RB offset | Channel | Probe Position | (1) ABM1 dB (A/m) | (2) ABM2 dB (A/m) | Signal Quality dB | (3) Signal Quality -3 dB | T Rating | Ambient Noise dB (A/m) | Freq. Response Variation dB |
|---------------|----------|------------|---------|-----------|---------|----------------|-------------------|-------------------|-------------------|--------------------------|----------|------------------------|-----------------------------|
| LTE Band 7    | 20M      | QPSK       | 1       | 0         | 21100   | Axial (Z)      | 9.50              | -51.02            | 60.52             | -                        | T4       | -50.36                 | 0.99                        |
|               |          |            |         |           |         | Transversal(Y) | 0.12              | -48.53            | 48.65             | -                        | T4       | -50.21                 |                             |
| FR1 n7        | 50M      | BPSK       | 1       | 1         | 507000  | Axial (Z)      | 9.50              | -52.02            | 61.52             | 58.52                    | T4       | -50.26                 | NA                          |
|               |          |            |         |           |         | Transversal(Y) | 0.12              | -49.66            | 49.78             | 46.78                    | T4       | -50.33                 |                             |





**8. Test Equipment List**

| Manufacturer | Name of Equipment                   | Type/Model | Serial Number | Calibration   |               |
|--------------|-------------------------------------|------------|---------------|---------------|---------------|
|              |                                     |            |               | Last Cal.     | Due Date      |
| SPEAG        | Audio Magnetic 1D Field Probe       | AM1DV3     | 3130          | Aug. 26, 2022 | Aug. 25, 2023 |
| SPEAG        | Data Acquisition Electronics        | DAE4       | 1696          | Nov. 09, 2022 | Nov. 08, 2023 |
| SPEAG        | Audio Magnetic Calibration Coil     | AMCC       | 1049          | NCR           | NCR           |
| SPEAG        | Audio Measuring Instrument          | AMMI       | 1041          | NCR           | NCR           |
| Testo        | Hygro meter                         | 608-H1     | 45196600      | Nov. 02, 2022 | Nov. 01, 2023 |
| R&S          | Wideband Radio Communication Tester | CMW500     | 169351        | Oct. 18, 2022 | Oct. 17, 2023 |
| SPEAG        | Test Arch Phantom                   | N/A        | N/A           | NCR           | NCR           |
| SPEAG        | Phone Positioner                    | N/A        | N/A           | NCR           | NCR           |

**Note:**

- 1. NCR: "No-Calibration Required"





### 9. T-Coil testing for OTT Voice Calling

**General Notes:**

1. According to the ANSI C63.19 2011 section 7.3.2, test middle channel of each frequency band for HAC testing for each orientation to determine worst HAC T-Coil rating.
2. The device supported a pre-installed application, Google Duo, whose features allow the option of voice-only communications. According to KDB 285076 D02, all air interfaces via a data connection with an application providing voice functionality need to be considered for HAC testing.
3. Google Duo only support OPUS audio codec and support 6Kbps to 75Kbps bitrate.
4. The test setup used for OTT Voice call is the DUT connect to the CMW500 and via the data application unit on CMW500 connection to the Internet, the Auxiliary EUT is connected to the WiFi access point, the channel/Modulation/Frequency bands/data rate is configured on the CMW500 for the DUT unit. For the Auxiliary OTT unit which is used to configure the audio codec rate and determine the audio input level of -20dBm0 based on the KDB 285076 D02 requirement.
5. Codec Investigation: For a voice service/air interface, investigate the variations of codec configurations (WB, NB bit rate) and document the parameters (ABM1, ABM2, S+N/N, frequency response) for that voice service. It is only necessary to document this for one channel/band, the following tests results which the worst case codec would be remarked to be used for the testing for the handset.
6. Air Interface Investigation:
  - a. Use the worst-case codec test and document a limited set of bands/channel/bandwidths. Observe the effect of changing the band and bandwidth to ensure that there are no unexpected variations. Using the knowledge of the observed variations, it is necessary to report only a set band/channel/bandwidth for each orientation for a voice service/air interface.
  - b. Due to OTT service and CMRS IP service are all be established over the internet protocol for the voice service, and on both services use the identical RF air interface for the WIFI and LTE, therefore according to Report No.: HA2D0913-01B VoLTE and VoWiFi test results of air interface investigation, the worst configuration and frequency band of air interface was used for OTT T-Coil testing.  
 -LTE FDD worst configuration and band: LTE Band 7/20MHz/16QAM/1RB Size  
 -LTE TDD worst configuration and band: LTE Band 48/20MHz/16QAM/1RB Size  
 -WLAN2.4GHz worst configuration: 802.11b /1Mbps  
 -WLAN5GHz worst configuration and Band: WLAN 5.3GHz /11a/6Mbps

**<Codec Investigation>**

**EDGE**

| Codec               | Opus 6kbps | Opus 40kbps | Opus 75kbps | Orientation | Band / Channel |
|---------------------|------------|-------------|-------------|-------------|----------------|
| ABM 1 (dBA/m)       | 7.53       | 8.59        | 7.66        | Axial       | GSM850 / 189   |
| ABM 2 (dBA/m)       | -38.7      | -39.43      | -36.57      |             |                |
| Signal Quality (dB) | 46.23      | 48.02       | 44.23       |             |                |
| Freq. Response      | Pass       | Pass        | Pass        |             |                |

Remark: According to codec investigation, the worst codec bitrate is 75Kbps

**HSPA**

| Codec               | Opus 6kbps | Opus 40kbps | Opus 75kbps | Orientation | Band / Channel |
|---------------------|------------|-------------|-------------|-------------|----------------|
| ABM 1 (dBA/m)       | 7.48       | 6.47        | 8.46        | Axial       | UMTS B2 / 9400 |
| ABM 2 (dBA/m)       | -39.94     | -41.58      | -38.78      |             |                |
| Signal Quality (dB) | 47.42      | 48.05       | 47.24       |             |                |
| Freq. Response      | Pass       | Pass        | Pass        |             |                |

Remark: According to codec investigation, the worst codec bitrate is 75Kbps



**LTE FDD**

| Codec               | Opus 6kbps | Opus 40kbps | Opus 75kbps | Orientation | Band / Channel    |
|---------------------|------------|-------------|-------------|-------------|-------------------|
| ABM 1 (dBA/m)       | 7.14       | 8.7         | 8.58        | Axial       | B25 / 20M / 26340 |
| ABM 2 (dBA/m)       | -41.5      | -39.51      | -36.51      |             |                   |
| Signal Quality (dB) | 48.64      | 48.21       | 45.09       |             |                   |
| Freq. Response      | Pass       | Pass        | Pass        |             |                   |

Remark: According to codec investigation, the worst codec bitrate is 75Kbps

**LTE TDD**

| Codec               | Opus 6kbps | Opus 40kbps | Opus 75kbps | Orientation | Band / Channel    |
|---------------------|------------|-------------|-------------|-------------|-------------------|
| ABM 1 (dBA/m)       | 8.42       | 8.5         | 8.54        | Axial       | B41 / 20M / 40620 |
| ABM 2 (dBA/m)       | -33.78     | -32         | -36.11      |             |                   |
| Signal Quality (dB) | 42.2       | 40.5        | 44.65       |             |                   |
| Freq. Response      | Pass       | Pass        | Pass        |             |                   |

Remark: According to codec investigation, the worst codec bitrate is 40Kbps

**WLAN**

| Codec               | Opus 6kbps | Opus 40kbps | Opus 75kbps | Orientation | Band / Channel |
|---------------------|------------|-------------|-------------|-------------|----------------|
| ABM 1 (dBA/m)       | 8.34       | 7.73        | 6.17        | Axial       | WLAN2.4G / 6   |
| ABM 2 (dBA/m)       | -38.5      | -40.01      | -39.75      |             |                |
| Signal Quality (dB) | 46.84      | 47.74       | 45.92       |             |                |
| Freq. Response      | Pass       | Pass        | Pass        |             |                |

Remark: According to codec investigation, the worst codec bitrate is 75Kbps



**<Air Interface Investigation>**

| Plot No. | Air Interface | Modulation / Mode | Channel | Probe Position  | ABM1 dB (A/m) | ABM2 dB (A/m) | Signal Quality dB | T Rating | Ambient Noise dB (A/m) | Freq. Response Variation dB | Frequency Response |
|----------|---------------|-------------------|---------|-----------------|---------------|---------------|-------------------|----------|------------------------|-----------------------------|--------------------|
| 01       | GSM850        | EDGE 2 Tx slots   | 189     | Axial (Z)       | 7.66          | -36.57        | 44.23             | T4       | -50.36                 | 0.7                         | Pass               |
|          |               |                   |         | Transversal (Y) | -3.02         | -40.59        | 37.57             | T4       | -50.26                 |                             |                    |
| 02       | GSM1900       | EDGE 2 Tx slots   | 661     | Axial (Z)       | 7.31          | -37.03        | 44.34             | T4       | -50.35                 | 1.24                        | Pass               |
|          |               |                   |         | Transversal (Y) | -3.72         | -39.65        | 35.93             | T4       | -50.28                 |                             |                    |
| 03       | WCDMA II      | HSPA              | 9400    | Axial (Z)       | 8.46          | -38.78        | 47.24             | T4       | -50.37                 | 1.18                        | Pass               |
|          |               |                   |         | Transversal (Y) | -2.93         | -46.05        | 43.12             | T4       | -50.25                 |                             |                    |
| 04       | WCDMA IV      | HSPA              | 1413    | Axial (Z)       | 7.85          | -43.53        | 51.38             | T4       | -50.33                 | 0.68                        | Pass               |
|          |               |                   |         | Transversal (Y) | -0.82         | -44.47        | 43.65             | T4       | -50.27                 |                             |                    |
| 05       | WCDMA V       | HSPA              | 4182    | Axial (Z)       | 8.14          | -37.10        | 45.24             | T4       | -50.35                 | 0.86                        | Pass               |
|          |               |                   |         | Transversal (Y) | -2.25         | -45.96        | 43.71             | T4       | -50.28                 |                             |                    |
| 06       | LTE Band 7    | 20M_16QAM_1_0     | 21100   | Axial (Z)       | 8.32          | -37.95        | 46.27             | T4       | -50.39                 | 2                           | Pass               |
|          |               |                   |         | Transversal (Y) | -0.85         | -42.39        | 41.54             | T4       | -50.23                 |                             |                    |
| 07       | LTE Band 48   | 20M_16QAM1_0      | 55830   | Axial (Z)       | 7.17          | -36.97        | 44.14             | T4       | -50.32                 | 1.19                        | Pass               |
|          |               |                   |         | Transversal (Y) | -1.38         | -38.86        | 37.48             | T4       | -50.24                 |                             |                    |
| 08       | WLAN2.4GHz    | 802.11b 1Mbps     | 6       | Axial (Z)       | 6.17          | -39.75        | 45.92             | T4       | -50.39                 | 1.09                        | Pass               |
|          |               |                   |         | Transversal (Y) | -1.32         | -45.19        | 43.87             | T4       | -50.29                 |                             |                    |
| 09       | WLAN5GHz      | 802.11a 6Mbps     | 60      | Axial (Z)       | 7.32          | -39.83        | 47.15             | T4       | -50.36                 | 0.91                        | Pass               |
|          |               |                   |         | Transversal (Y) | -0.94         | -45.68        | 44.74             | T4       | -50.21                 |                             |                    |



**9.15G FR1 OTT evaluation**

**General Notes:**

1. According to KDB 285076 D03, for 5G Sub 6 calls that use the same protocol, Codec(s) and reference level as OTT calls (such as Duo or AppleTalk).
2. For LTE, establish the ABM1S65G value by using the ABM1LTE magnetic intensity for an LTE call in the same band as the 5G sub6 band under test.
3. For OTT, establish the ABM1S65G value by using an IP connection for magnetic intensity for a call in the same band as the 5G sub6 band under test
4. Also note the actual ABM2LTE/OTT value and establish an ABM2S65G value, using a 5G manufacture test mode over 5G Sub 6 channels for the same band under test.
5. Document in the test report matrix:
  - d. Include columns for both ABM2LTE & ABM2S65G for comparison
  - e. Establish the S+N1/N2 for the rating
    - vii. S+N1 = ABM1LTE (step 1) and
    - viii. N2 = ABM2S65G (step 2).
    - ix. Subtract 3 dB from S+N1/N2
  - f. Rating based on (ABM1LTE/ ABM2S65G) -3dB.
6. OTT service and CMRS IP service are all be established over the internet protocol for the voice service, and on both services use the identical RF air interface for the 5G NR, therefore according to HA2D0913-01B VoNR test results of air interface investigation, the worst configuration and frequency band of air interface was used for OTT T-Coil testing.
  - NR FDD worst configuration and band: NR band 7/40MHz/QPSK/1RB Size
  - NR TDD worst configuration and band: NR band 41/100MHz/QPSK/1RB Size

| Plot No. | Air Interface    | BW (MHz) | Modulation / Mode | RB Size | RB offset | Channel | Probe Position  | (1) ABM1 dB (A/m) | (2) ABM2 dB (A/m) | Signal Quality dB | (3) Signal Quality -3 dB | T Rating | Ambient Noise dB (A/m) | Freq. Response Variation dB | Frequency Response |
|----------|------------------|----------|-------------------|---------|-----------|---------|-----------------|-------------------|-------------------|-------------------|--------------------------|----------|------------------------|-----------------------------|--------------------|
| 06       | LTE Band 7       | 20M      | 16QAM             | 1       | 0         | 21100   | Axial (Z)       | 8.32              | -37.95            | 46.27             | -                        | T4       | -50.39                 | 2                           | Pass               |
|          |                  |          |                   |         |           |         | Transversal (Y) | -0.85             | -42.39            | 41.54             | -                        | T4       | -50.23                 |                             |                    |
|          | FR1 n7           | 40M      | QPSK              | 1       | 1         | 507000  | Axial (Z)       | 8.32              | -37.47            | 45.79             | 42.79                    | T4       | -50.38                 | NA                          | NA                 |
|          |                  |          |                   |         |           |         | Transversal (Y) | -0.85             | -45.27            | 44.42             | 41.42                    | T4       | -50.28                 |                             |                    |
| 10       | LTE Band 41 HPUE | 20M      | 16QAM             | 1       | 0         | 40620   | Axial (Z)       | 8.50              | -32.00            | 40.50             | -                        | T4       | -50.33                 | 0.98                        | Pass               |
|          |                  |          |                   |         |           |         | Transversal (Y) | -3.60             | -43.63            | 40.03             | -                        | T4       | -50.27                 |                             |                    |
|          | FR1 n41 HPUE     | 100M     | QPSK              | 1       | 1         | 518598  | Axial (Z)       | 8.50              | -38.26            | 46.76             | 43.76                    | T4       | -50.36                 | NA                          | NA                 |
|          |                  |          |                   |         |           |         | Transversal (Y) | -3.60             | -45.18            | 41.58             | 38.58                    | T4       | -50.25                 |                             |                    |

**Remark:**

1. Phone Condition: Mute on; Backlight off; Max Volume
2. The detail frequency response results please refer to appendix A.
3. Test Engineer : EN Liu



### 10. Uncertainty Assessment

The evaluation of uncertainty by the statistical analysis of a series of observations is termed a Type A evaluation of uncertainty. The evaluation of uncertainty by means other than the statistical analysis of a series of observation is termed a Type B evaluation of uncertainty. Each component of uncertainty, however evaluated, is represented by an estimated standard deviation, termed standard uncertainty, which is determined by the positive square root of the estimated variance. The combined standard uncertainty of the measurement result represents the estimated standard deviation of the result. It is obtained by combining the individual standard uncertainties of both Type A and Type B evaluation using the usual “root-sum-squares” (RSS) methods of combining standard deviations by taking the positive square root of the estimated variances. Expanded uncertainty is a measure of uncertainty that defines an interval about the measurement result within which the measured value is confidently believed to lie. It is obtained by multiplying the combined standard uncertainty by a coverage factor. For purpose of this document, a coverage factor two is used, which corresponds to confidence interval of about 95 %. The DASY uncertainty Budget is showed in Table 8.2.

The judgment of conformity in the report is based on the measurement results excluding the measurement uncertainty.

| Error Description  | Uncertainty Value (±%) | Probability Distribution | Divisor | Ci (ABM1) | Ci (ABM2) | Standard Uncertainty (ABM1) | Standard Uncertainty (ABM2) |
|--|------------------------|--------------------------|---------|-----------|-----------|-----------------------------|-----------------------------|
| <b>Probe Sensitivity</b>   |                        |                          |         |           |           |                             |                             |
| Reference Level  | 3.0                    | Normal                   | 1       | 1         | 1         | ± 3.0 %                     | ± 3.0 %                     |
| AMCC Geometry  | 0.4                    | Rectangular              | √3      | 1         | 1         | ± 0.2 %                     | ± 0.2 %                     |
| AMCC Current   | 1.0                    | Rectangular              | √3      | 1         | 1         | ± 0.6 %                     | ± 0.6 %                     |
| Probe Positioning During Calibrate   | 0.1                    | Rectangular              | √3      | 1         | 1         | ± 0.1 %                     | ± 0.1 %                     |
| Noise Contribution   | 0.7                    | Rectangular              | √3      | 0.0143    | 1         | ± 0.0 %                     | ± 0.4 %                     |
| Frequency Slope  | 5.9                    | Rectangular              | √3      | 0.1       | 1         | ± 0.3 %                     | ± 3.5 %                     |
| <b>Probe System</b>  |                        |                          |         |           |           |                             |                             |
| Repeatability / Drift  | 1.0                    | Rectangular              | √3      | 1         | 1         | ± 0.6 %                     | ± 0.6 %                     |
| Linearity / Dynamic Range  | 0.6                    | Rectangular              | √3      | 1         | 1         | ± 0.4 %                     | ± 0.4 %                     |
| Acoustic Noise   | 1.0                    | Rectangular              | √3      | 0.1       | 1         | ± 0.1 %                     | ± 0.6 %                     |
| Probe Angle  | 2.3                    | Rectangular              | √3      | 1         | 1         | ± 1.4 %                     | ± 1.4 %                     |
| Spectral Processing  | 0.9                    | Rectangular              | √3      | 1         | 1         | ± 0.5 %                     | ± 0.5 %                     |
| Integration Time   | 0.6                    | Normal                   | 1       | 1         | 5         | ± 0.6 %                     | ± 3.0 %                     |
| Field Disturbation   | 0.2                    | Rectangular              | √3      | 1         | 1         | ± 0.1 %                     | ± 0.1 %                     |
| <b>Test Signal</b>   |                        |                          |         |           |           |                             |                             |
| Reference Signal Spectral Response   | 0.6                    | Rectangular              | √3      | 0         | 1         | ± 0.0 %                     | ± 0.4 %                     |
| <b>Positioning</b>   |                        |                          |         |           |           |                             |                             |
| Probe Positioning  | 1.9                    | Rectangular              | √3      | 1         | 1         | ± 1.1 %                     | ± 1.1 %                     |
| Phantom Thickness  | 0.9                    | Rectangular              | √3      | 1         | 1         | ± 0.5 %                     | ± 0.5 %                     |
| EUT Positioning  | 1.9                    | Rectangular              | √3      | 1         | 1         | ± 1.1 %                     | ± 1.1 %                     |
| <b>External Contributions</b>  |                        |                          |         |           |           |                             |                             |
| RF Interference  | 0.0                    | Rectangular              | √3      | 1         | 0.3       | ± 0.0 %                     | ± 0.0 %                     |
| Test Signal Variation  | 2.0                    | Rectangular              | √3      | 1         | 1         | ± 1.2 %                     | ± 1.2 %                     |
| Combined Standard Uncertainty  |                        |                          |         |           |           | ± 4.1 %                     | ± 6.1 %                     |
| Coverage Factor for 95 %   |                        |                          |         |           |           | K = 2                       |                             |
| Expanded Uncertainty   |                        |                          |         |           |           | ± 8.1 %                     | ± 12.3 %                    |
| Declaration of Conformity:<br>The test results with all measurement uncertainty excluded are presented in accordance with the regulation limits or requirements declared by manufacturers.   |                        |                          |         |           |           |                             |                             |
| Comments and Explanations:<br>The declared of product specification for EUT presented in the report are provided by the manufacturer, and the manufacturer takes all the responsibilities for the accuracy of product specification. |                        |                          |         |           |           |                             |                             |

**Uncertainty Budget of audio band magnetic measurement**



## **11. References**

- [1] ANSI C63.19-2011, "American National Standard for Methods of Measurement of Compatibility between Wireless Communications Devices and Hearing Aids", 27 May 2011.
- [2] FCC KDB 285076 D01v06r02, "Equipment Authorization Guidance for Hearing Aid Compatibility", Sep. 2022.
- [3] FCC KDB 285076 D02v04, "Guidance for performing T-Coil tests for air interfaces supporting voice over IP (e.g., LTE and WiFi) to support CMRS based telephone services", Feb 2022
- [4] FCC KDB 285076 D03v01r06, "Hearing aid compatibility frequently asked questions", Jul. 2022
- [5] SPEAG DASY System Handbook