

System Check_Head_835MHz

DUT: D835V2 - SN:4d091

Communication System: UID 0, CW (0); Frequency: 835 MHz; Duty Cycle: 1:1

Medium: HSL_835 Medium parameters used: $f = 835$ MHz; $\sigma = 0.934$ S/m; $\epsilon_r = 41.163$; $\rho = 1000$ kg/m³

Ambient Temperature : 23.3 °C; Liquid Temperature : 22.8 °C

DASY5 Configuration:

- Probe: EX3DV4 - SN3826; ConvF(9.31, 9.31, 9.31); Calibrated: 2022/8/8
- Sensor-Surface: 1.4mm (Mechanical Surface Detection)
- Electronics: DAE4 Sn1303; Calibrated: 2022/11/24
- Phantom: SAM Twin Phantom; Type: SAM Twin; Serial: TP-1842
- Measurement SW: DASY52, Version 52.10 (4); SEMCAD X Version 14.6.14 (7501)

Pin=50mW/Area Scan (61x61x1): Interpolated grid: dx=1.500 mm, dy=1.500 mm
Maximum value of SAR (interpolated) = 0.568 W/kg

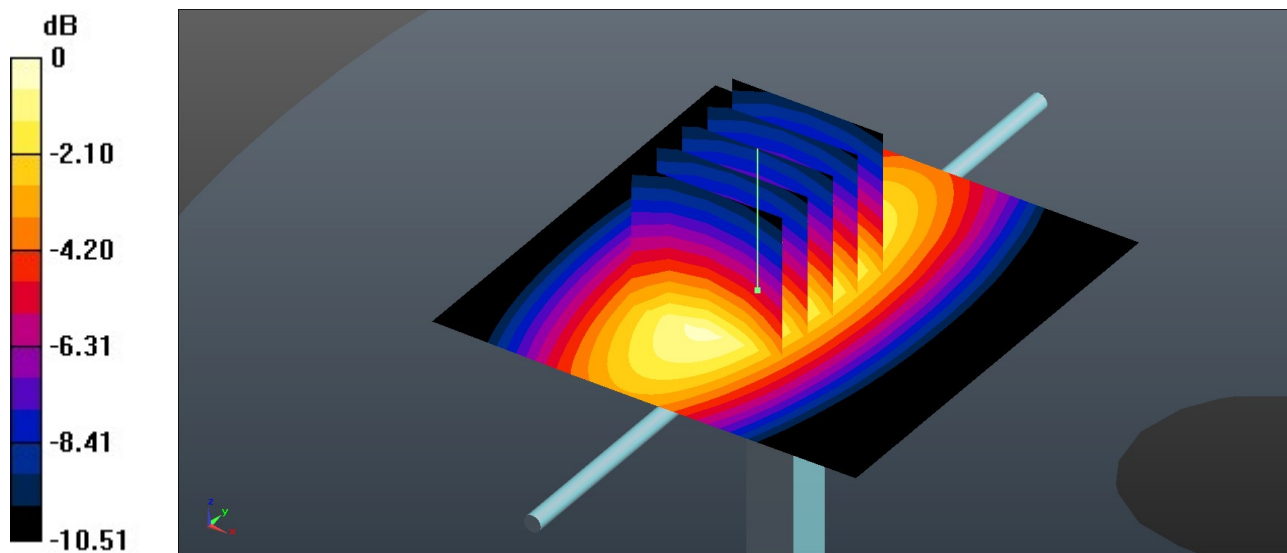
Pin=50mW/Zoom Scan (5x5x7)/Cube 0: Measurement grid: dx=8mm, dy=8mm, dz=5mm

Reference Value = 23.98 V/m; Power Drift = 0.06 dB

Peak SAR (extrapolated) = 0.729 W/kg

SAR(1 g) = 0.486 W/kg; SAR(10 g) = 0.319 W/kg

Maximum value of SAR (measured) = 0.570 W/kg



0 dB = 0.570 W/kg = -2.44 dBW/kg

System Check_Head_1750MHz

DUT: D1750V2 - SN:1090

Communication System: UID 0, CW (0); Frequency: 1750 MHz; Duty Cycle: 1:1
Medium: HSL_1750 Medium parameters used: $f = 1750$ MHz; $\sigma = 1.394$ S/m; $\epsilon_r = 40.496$; $\rho = 1000$ kg/m³

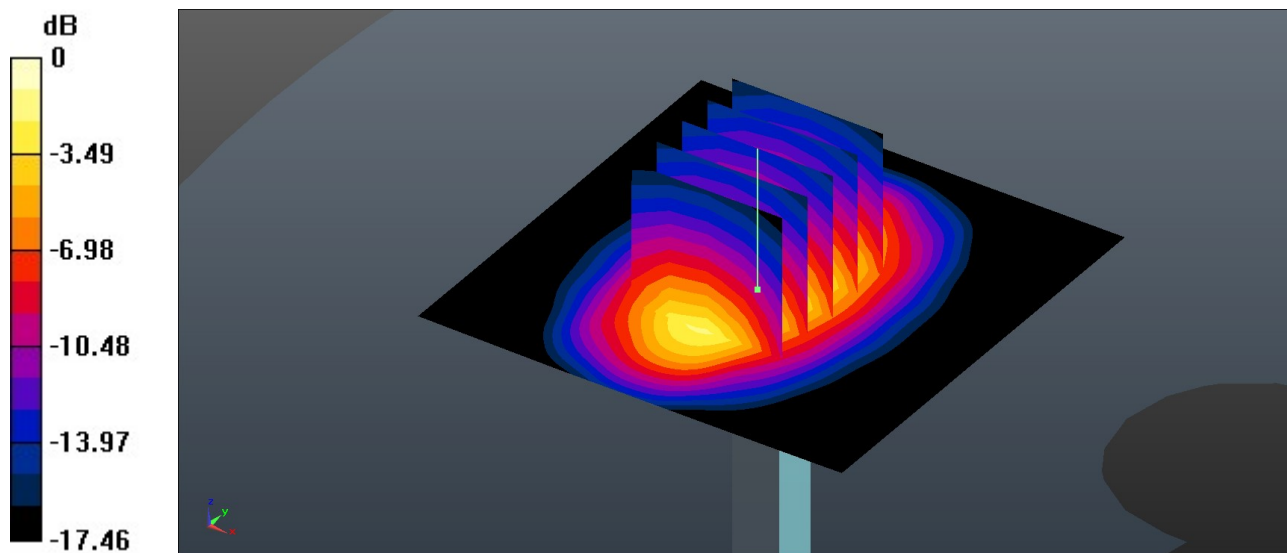
Ambient Temperature : 23.3 °C; Liquid Temperature : 22.9 °C

DASY5 Configuration:

- Probe: EX3DV4 - SN3826; ConvF(8.56, 8.56, 8.56); Calibrated: 2022/8/8
- Sensor-Surface: 1.4mm (Mechanical Surface Detection)
- Electronics: DAE4 Sn1303; Calibrated: 2022/11/24
- Phantom: SAM Twin Phantom; Type: SAM Twin; Serial: TP-1842
- Measurement SW: DASY52, Version 52.10 (4); SEMCAD X Version 14.6.14 (7501)

Pin=50mW/Area Scan (61x61x1): Interpolated grid: dx=1.500 mm, dy=1.500 mm
Maximum value of SAR (interpolated) = 2.77 W/kg

Pin=50mW/Zoom Scan (5x5x7)/Cube 0: Measurement grid: dx=8mm, dy=8mm, dz=5mm
Reference Value = 45.75 V/m; Power Drift = -0.07 dB
Peak SAR (extrapolated) = 3.28 W/kg
SAR(1 g) = 1.78 W/kg; SAR(10 g) = 0.944 W/kg
Maximum value of SAR (measured) = 2.74 W/kg



0 dB = 2.74 W/kg = 4.38 dBW/kg

System Check_Head_1900MHz

DUT: D1900V2 - SN:5d182

Communication System: UID 0, CW (0); Frequency: 1900 MHz; Duty Cycle: 1:1
Medium: HSL_1900 Medium parameters used: $f = 1900$ MHz; $\sigma = 1.458$ S/m; $\epsilon_r = 39.79$; $\rho = 1000$ kg/m³

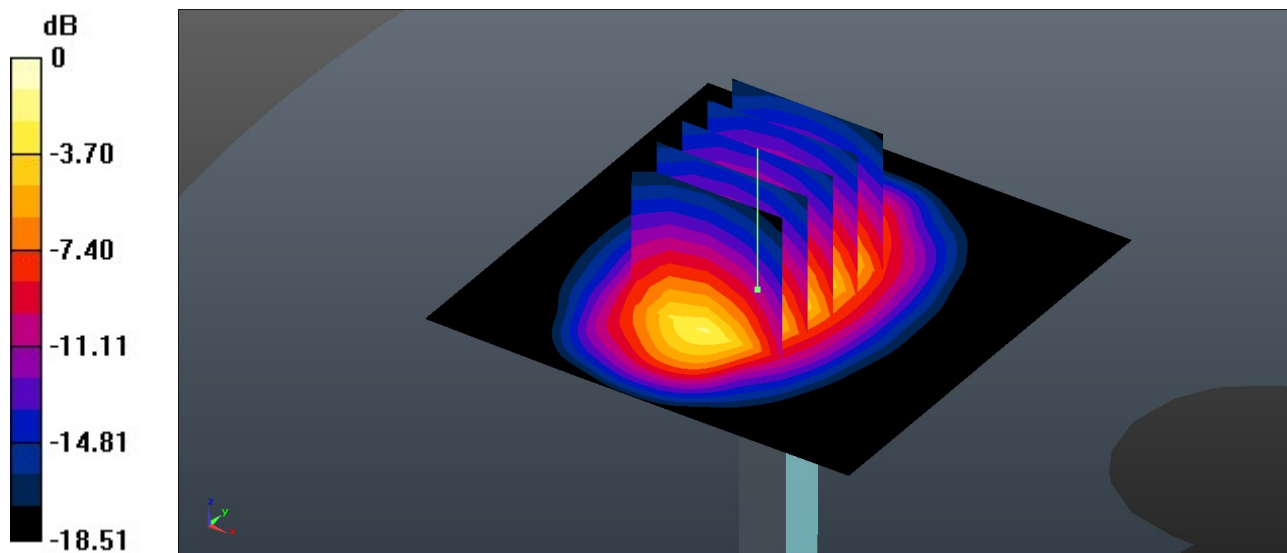
Ambient Temperature : 23.3 °C; Liquid Temperature : 22.8 °C

DASY5 Configuration:

- Probe: EX3DV4 - SN3826; ConvF(8.24, 8.24, 8.24); Calibrated: 2022/8/8
- Sensor-Surface: 1.4mm (Mechanical Surface Detection)
- Electronics: DAE4 Sn1303; Calibrated: 2022/11/24
- Phantom: SAM Twin Phantom; Type: SAM Twin; Serial: TP-1842
- Measurement SW: DASY52, Version 52.10 (4); SEMCAD X Version 14.6.14 (7501)

Pin=50mW/Area Scan (61x61x1): Interpolated grid: dx=1.500 mm, dy=1.500 mm
Maximum value of SAR (interpolated) = 2.96 W/kg

Pin=50mW/Zoom Scan (5x5x7)/Cube 0: Measurement grid: dx=8mm, dy=8mm, dz=5mm
Reference Value = 45.87 V/m; Power Drift = -0.02 dB
Peak SAR (extrapolated) = 3.58 W/kg
SAR(1 g) = 1.9 W/kg; SAR(10 g) = 0.978 W/kg
Maximum value of SAR (measured) = 2.98 W/kg



0 dB = 2.98 W/kg = 4.74 dBW/kg

System Check_Head_2300MHz

DUT: D2300V2 - SN:1055

Communication System: UID 0, CW (0); Frequency: 2300 MHz; Duty Cycle: 1:1

Medium: HSL_2300 Medium parameters used: $f = 2300$ MHz; $\sigma = 1.719$ S/m; $\epsilon_r = 38.686$; $\rho = 1000$ kg/m³

Ambient Temperature : 23.3 °C; Liquid Temperature : 22.6 °C

DASY5 Configuration:

- Probe: EX3DV4 - SN3826; ConvF(7.79, 7.79, 7.79); Calibrated: 2022/8/8
- Sensor-Surface: 1.4mm (Mechanical Surface Detection)
- Electronics: DAE4 Sn1303; Calibrated: 2022/11/24
- Phantom: SAM Twin Phantom; Type: SAM Twin; Serial: TP-1842
- Measurement SW: DASY52, Version 52.10 (4); SEMCAD X Version 14.6.14 (7501)

Pin=50mW/Area Scan (71x71x1): Interpolated grid: dx=1.200 mm, dy=1.200 mm
Maximum value of SAR (interpolated) = 3.96 W/kg

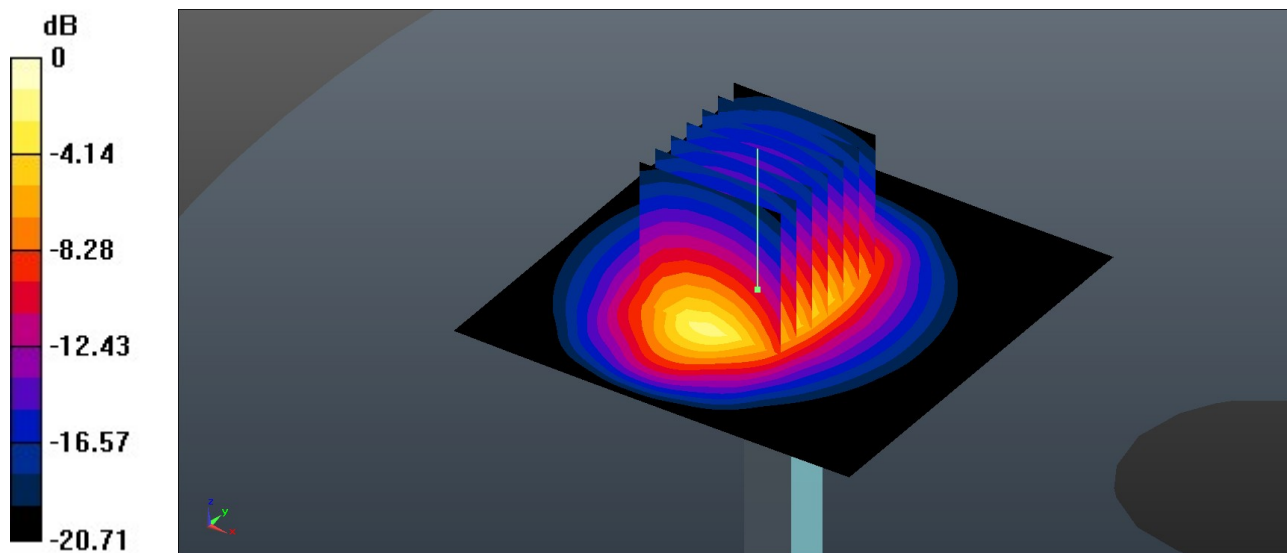
Pin=50mW/Zoom Scan (7x7x7)/Cube 0: Measurement grid: dx=5mm, dy=5mm, dz=5mm

Reference Value = 45.42 V/m; Power Drift = 0.01 dB

Peak SAR (extrapolated) = 4.82 W/kg

SAR(1 g) = 2.4 W/kg; SAR(10 g) = 1.14 W/kg

Maximum value of SAR (measured) = 3.95 W/kg



0 dB = 3.95 W/kg = 5.97 dBW/kg

System Check_Head_2450MHz

DUT: D2450V2 - SN:1040

Communication System: UID 0, CW (0); Frequency: 2450 MHz; Duty Cycle: 1:1

Medium: HSL_2450 Medium parameters used: $f = 2450$ MHz; $\sigma = 1.836$ S/m; $\epsilon_r = 39.856$; $\rho = 1000$ kg/m³

Ambient Temperature : 23.2 °C; Liquid Temperature : 22.6 °C

DASY5 Configuration:

- Probe: EX3DV4 - SN3826; ConvF(7.57, 7.57, 7.57); Calibrated: 2022/8/8
- Sensor-Surface: 1.4mm (Mechanical Surface Detection)
- Electronics: DAE4 Sn1303; Calibrated: 2022/11/24
- Phantom: SAM Twin Phantom; Type: SAM Twin; Serial: TP-1842
- Measurement SW: DASY52, Version 52.10 (4); SEMCAD X Version 14.6.14 (7501)

Pin=50mW/Area Scan (71x71x1): Interpolated grid: dx=1.200 mm, dy=1.200 mm
Maximum value of SAR (interpolated) = 5.35 W/kg

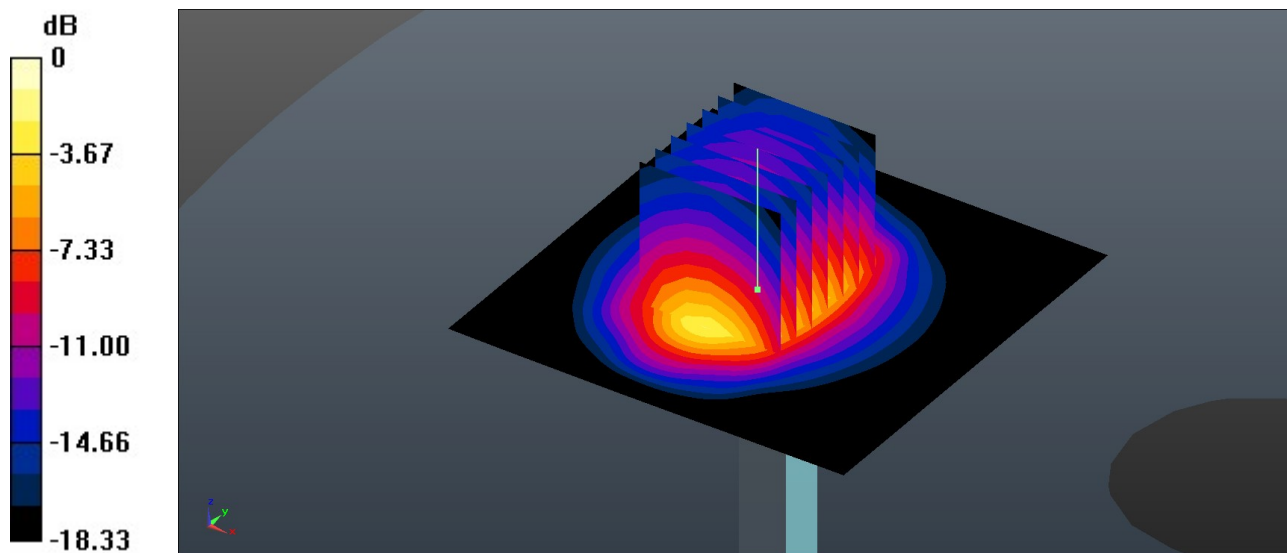
Pin=50mW/Zoom Scan (7x7x7)/Cube 0: Measurement grid: dx=5mm, dy=5mm, dz=5mm

Reference Value = 52.10 V/m; Power Drift = 0.14 dB

Peak SAR (extrapolated) = 6.10 W/kg

SAR(1 g) = 2.74 W/kg; SAR(10 g) = 1.23 W/kg

Maximum value of SAR (measured) = 5.17 W/kg



0 dB = 5.17 W/kg = 7.13 dBW/kg

System Check_Head_2600MHz

DUT: D2600V2 - SN:1061

Communication System: UID 0, CW (0); Frequency: 2600 MHz; Duty Cycle: 1:1
Medium: HSL_2600 Medium parameters used: $f = 2600$ MHz; $\sigma = 1.926$ S/m; $\epsilon_r = 38.23$; $\rho = 1000$ kg/m³

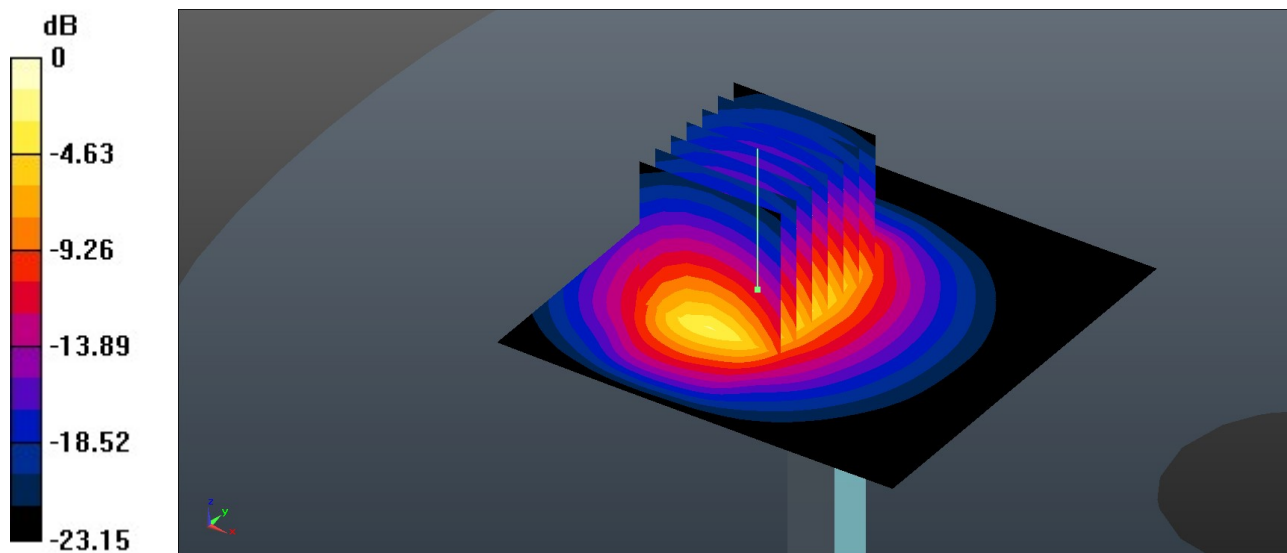
Ambient Temperature : 23.3 °C; Liquid Temperature : 22.8 °C

DASY5 Configuration:

- Probe: EX3DV4 - SN3826; ConvF(7.35, 7.35, 7.35); Calibrated: 2022/8/8
- Sensor-Surface: 1.4mm (Mechanical Surface Detection)
- Electronics: DAE4 Sn1303; Calibrated: 2022/11/24
- Phantom: SAM Twin Phantom; Type: SAM Twin; Serial: TP-1842
- Measurement SW: DASY52, Version 52.10 (4); SEMCAD X Version 14.6.14 (7501)

Pin=50mW/Area Scan (71x71x1): Interpolated grid: dx=1.200 mm, dy=1.200 mm
Maximum value of SAR (interpolated) = 4.57 W/kg

Pin=50mW/Zoom Scan (7x7x7)/Cube 0: Measurement grid: dx=5mm, dy=5mm, dz=5mm
Reference Value = 26.34 V/m; Power Drift = 0.02 dB
Peak SAR (extrapolated) = 5.66 W/kg
SAR(1 g) = 2.66 W/kg; SAR(10 g) = 1.19 W/kg
Maximum value of SAR (measured) = 4.54 W/kg



0 dB = 4.54 W/kg = 6.57 dBW/kg

System Check_Head_3500MHz

DUT: D3500V2 - SN:1037

Communication System: UID 0, CW (0); Frequency: 3500 MHz; Duty Cycle: 1:1

Medium: HSL_3500 Medium parameters used: $f = 3500$ MHz; $\sigma = 2.833$ S/m; $\epsilon_r = 39.052$; $\rho = 1000$ kg/m³

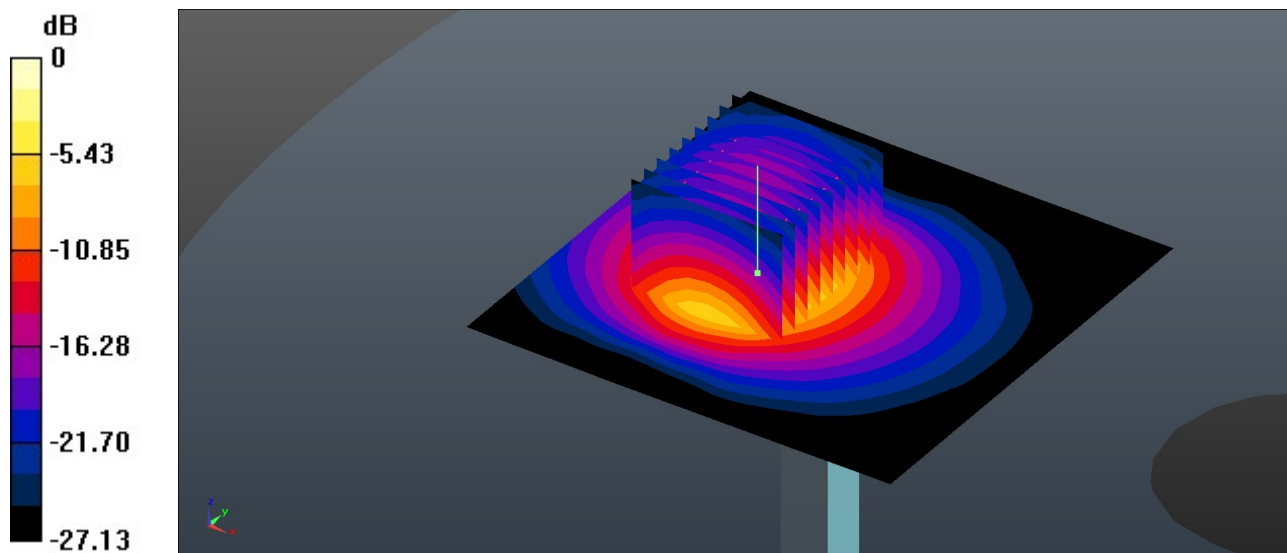
Ambient Temperature : 23.3 °C; Liquid Temperature : 22.7 °C

DASY5 Configuration:

- Probe: EX3DV4 - SN3826; ConvF(7.05, 7.05, 7.05); Calibrated: 2022/8/8
- Sensor-Surface: 1.4mm (Mechanical Surface Detection)
- Electronics: DAE4 Sn1303; Calibrated: 2022/11/24
- Phantom: SAM Twin Phantom; Type: SAM Twin; Serial: TP-1842
- Measurement SW: DASY52, Version 52.10 (4); SEMCAD X Version 14.6.14 (7501)

Pin=50mW/Area Scan (91x91x1): Interpolated grid: dx=1.000 mm, dy=1.000 mm
Maximum value of SAR (interpolated) = 5.78 W/kg

Pin=50mW/Zoom Scan (9x9x7)/Cube 0: Measurement grid: dx=4mm, dy=4mm, dz=1.4mm
Reference Value = 26.20 V/m; Power Drift = 0.02 dB
Peak SAR (extrapolated) = 7.75 W/kg
SAR(1 g) = 3.31 W/kg; SAR(10 g) = 1.25 W/kg
Maximum value of SAR (measured) = 5.78 W/kg



0 dB = 5.78 W/kg = 7.62 dBW/kg

System Check_Head_3700MHz

DUT: D3700V2 - SN:1008

Communication System: UID 0, CW (0); Frequency: 3700 MHz; Duty Cycle: 1:1
Medium: HSL_3700 Medium parameters used: $f = 3700$ MHz; $\sigma = 3.024$ S/m; $\epsilon_r = 38.721$; $\rho = 1000$ kg/m³

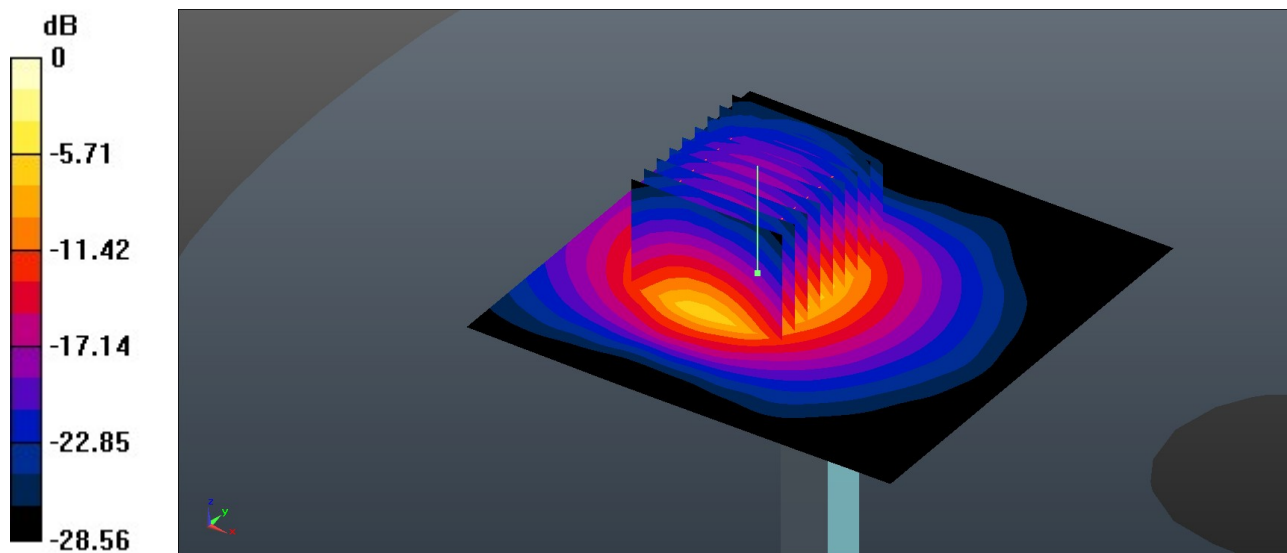
Ambient Temperature : 23.1 °C; Liquid Temperature : 22.6 °C

DASY5 Configuration:

- Probe: EX3DV4 - SN3826; ConvF(6.98, 6.98, 6.98); Calibrated: 2022/8/8
- Sensor-Surface: 1.4mm (Mechanical Surface Detection)
- Electronics: DAE4 Sn1303; Calibrated: 2022/11/24
- Phantom: SAM Twin Phantom; Type: SAM Twin; Serial: TP-1842
- Measurement SW: DASY52, Version 52.10 (4); SEMCAD X Version 14.6.14 (7501)

Pin=50mW/Area Scan (91x91x1): Interpolated grid: dx=1.000 mm, dy=1.000 mm
Maximum value of SAR (interpolated) = 6.40 W/kg

Pin=50mW/Zoom Scan (9x9x7)/Cube 0: Measurement grid: dx=4mm, dy=4mm, dz=1.4mm
Reference Value = 24.44 V/m; Power Drift = 0.07 dB
Peak SAR (extrapolated) = 9.03 W/kg
SAR(1 g) = 3.27 W/kg; SAR(10 g) = 1.2 W/kg
Maximum value of SAR (measured) = 6.49 W/kg



0 dB = 6.49 W/kg = 8.12 dBW/kg

System Check_Head_3900MHz

DUT: D3900V2 - SN:1048

Communication System: UID 0, CW (0); Frequency: 3900 MHz; Duty Cycle: 1:1

Medium: HSL_3900 Medium parameters used: $f = 3900$ MHz; $\sigma = 3.228$ S/m; $\epsilon_r = 38.418$; $\rho = 1000$ kg/m³

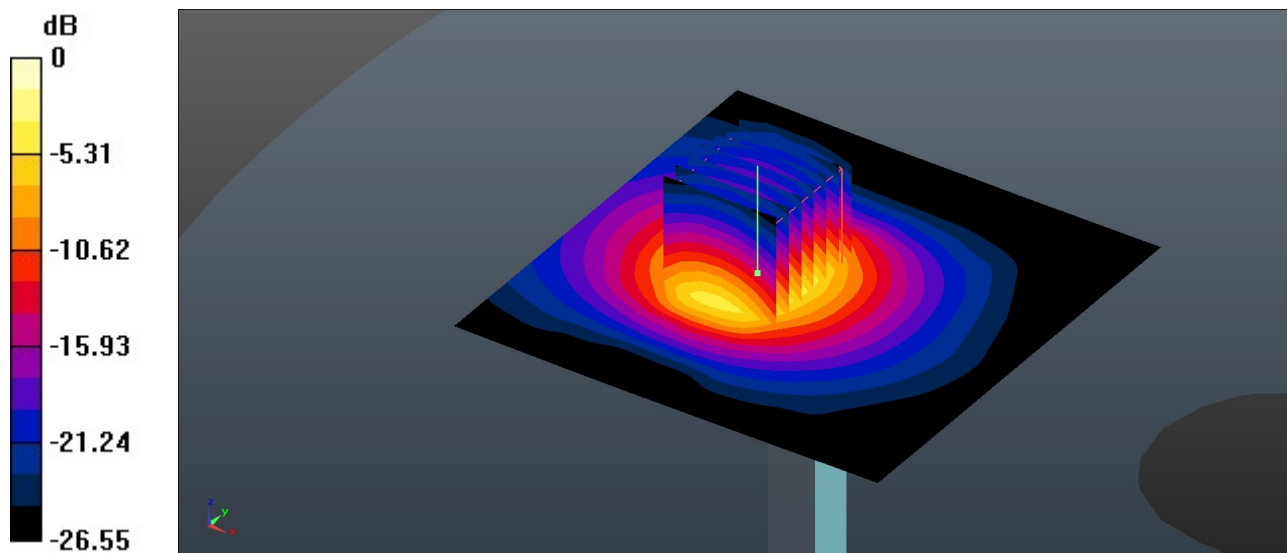
Ambient Temperature : 23.4 °C; Liquid Temperature : 22.9 °C

DASY5 Configuration:

- Probe: EX3DV4 - SN3826; ConvF(6.42, 6.42, 6.42); Calibrated: 2022/8/8
- Sensor-Surface: 1.4mm (Mechanical Surface Detection)
- Electronics: DAE4 Sn1303; Calibrated: 2022/11/24
- Phantom: SAM Twin Phantom; Type: SAM Twin; Serial: TP-1842
- Measurement SW: DASY52, Version 52.10 (4); SEMCAD X Version 14.6.14 (7501)

Pin=50mW/Area Scan (91x91x1): Interpolated grid: dx=1.000 mm, dy=1.000 mm
Maximum value of SAR (interpolated) = 6.73 W/kg

Pin=50mW/Zoom Scan (7x7x7)/Cube 0: Measurement grid: dx=4mm, dy=4mm, dz=1.4mm
Reference Value = 27.61 V/m; Power Drift = 0.08 dB
Peak SAR (extrapolated) = 8.89 W/kg
SAR(1 g) = 3.33 W/kg; SAR(10 g) = 1.18 W/kg
Maximum value of SAR (measured) = 6.70 W/kg



0 dB = 6.70 W/kg = 8.26 dBW/kg

System Check_Head_5250MHz

DUT: D5GHzV2 - SN:1113

Communication System: UID 0, CW (0); Frequency: 5250 MHz; Duty Cycle: 1:1
Medium: HSL_5000 Medium parameters used: $f = 5250$ MHz; $\sigma = 4.587$ S/m; $\epsilon_r = 36.21$; $\rho = 1000$ kg/m³

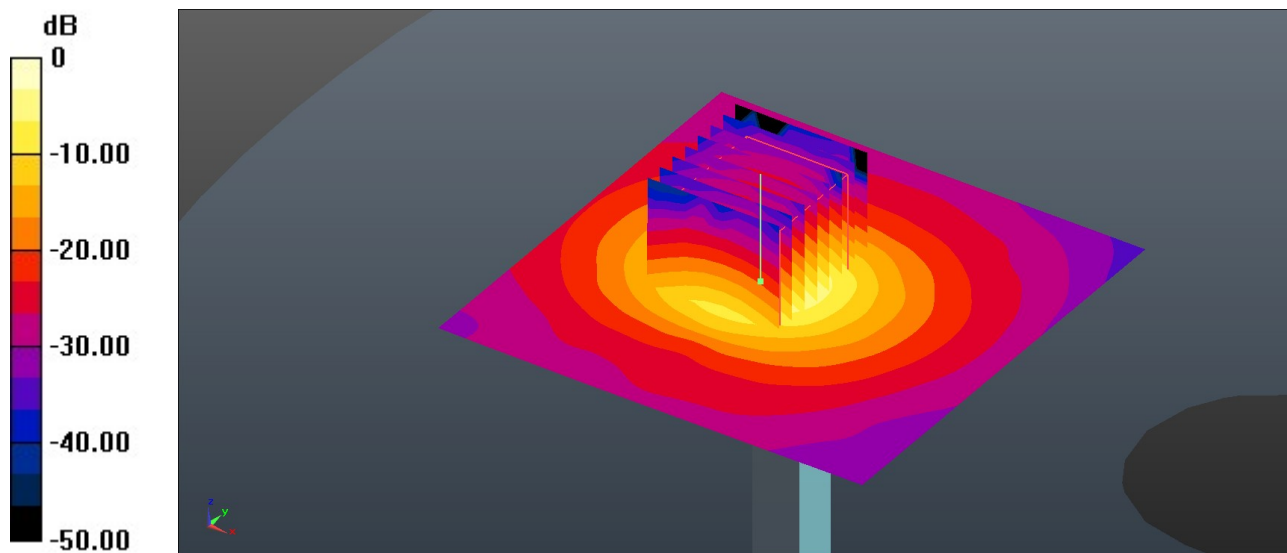
Ambient Temperature : 23.2 °C; Liquid Temperature : 22.8 °C

DASY5 Configuration:

- Probe: EX3DV4 - SN3826; ConvF(5.1, 5.1, 5.1); Calibrated: 2022/8/8
- Sensor-Surface: 1.4mm (Mechanical Surface Detection)
- Electronics: DAE4 Sn1303; Calibrated: 2022/11/24
- Phantom: SAM Twin Phantom; Type: SAM Twin; Serial: TP-1842
- Measurement SW: DASY52, Version 52.10 (4); SEMCAD X Version 14.6.14 (7501)

Pin=50mW/Area Scan (91x91x1): Interpolated grid: dx=1.000 mm, dy=1.000 mm
Maximum value of SAR (interpolated) = 9.27 W/kg

Pin=50mW/Zoom Scan (8x8x7)/Cube 0: Measurement grid: dx=4mm, dy=4mm, dz=1.4mm
Reference Value = 28.88 V/m; Power Drift = 0.06 dB
Peak SAR (extrapolated) = 15.8 W/kg
SAR(1 g) = 3.85 W/kg; SAR(10 g) = 1.11 W/kg
Maximum value of SAR (measured) = 9.67 W/kg



0 dB = 9.67 W/kg = 9.86 dBW/kg

System Check_Head_5600MHz

DUT: D5GHzV2 - SN:1113

Communication System: UID 0, CW (0); Frequency: 5600 MHz; Duty Cycle: 1:1

Medium: HSL_5000 Medium parameters used: $f = 5600$ MHz; $\sigma = 4.964$ S/m; $\epsilon_r = 35.705$; $\rho = 1000$ kg/m³

Ambient Temperature : 23.3 °C; Liquid Temperature : 22.8 °C

DASY5 Configuration:

- Probe: EX3DV4 - SN3826; ConvF(4.54, 4.54, 4.54); Calibrated: 2022/8/8
- Sensor-Surface: 1.4mm (Mechanical Surface Detection)
- Electronics: DAE4 Sn1303; Calibrated: 2022/11/24
- Phantom: SAM Twin Phantom; Type: SAM Twin; Serial: TP-1842
- Measurement SW: DASY52, Version 52.10 (4); SEMCAD X Version 14.6.14 (7501)

Pin=50mW/Area Scan (91x91x1): Interpolated grid: dx=1.000 mm, dy=1.000 mm
Maximum value of SAR (interpolated) = 10.1 W/kg

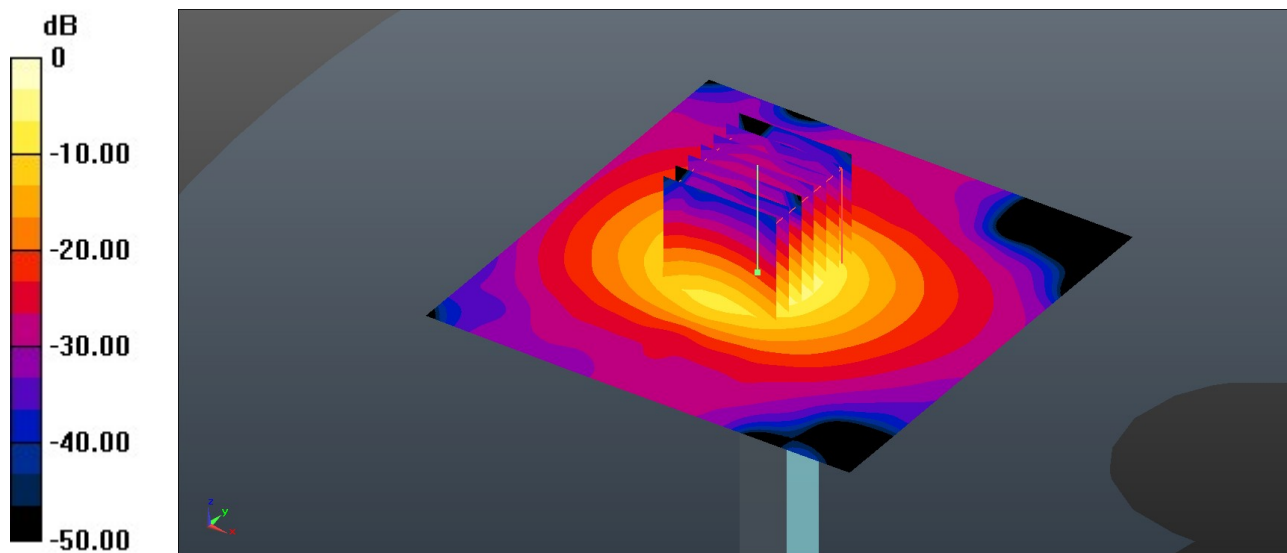
Pin=50mW/Zoom Scan (7x7x7)/Cube 0: Measurement grid: dx=4mm, dy=4mm, dz=1.4mm

Reference Value = 30.04 V/m; Power Drift = 0.08 dB

Peak SAR (extrapolated) = 17.2 W/kg

SAR(1 g) = 4.18 W/kg; SAR(10 g) = 1.21 W/kg

Maximum value of SAR (measured) = 10.6 W/kg



0 dB = 10.6 W/kg = 10.25 dBW/kg

System Check_Head_5750MHz

DUT: D5GHzV2 - SN:1113

Communication System: UID 0, CW (0); Frequency: 5750 MHz; Duty Cycle: 1:1

Medium: HSL_5000 Medium parameters used: $f = 5750$ MHz; $\sigma = 5.138$ S/m; $\epsilon_r = 35.514$; $\rho = 1000$ kg/m³

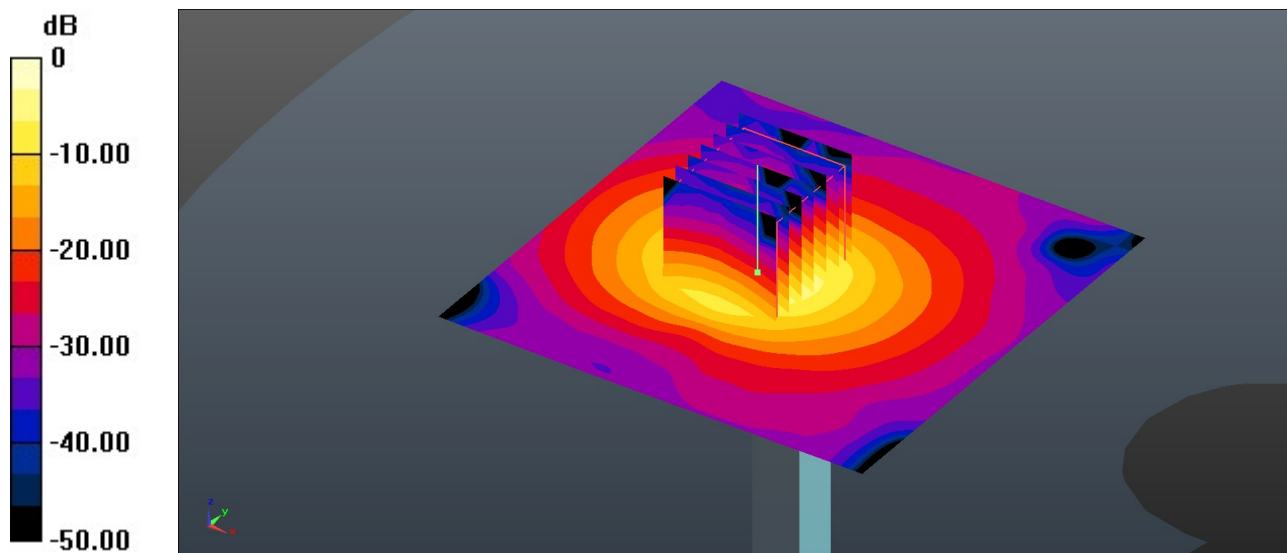
Ambient Temperature : 23.4 °C; Liquid Temperature : 22.7 °C

DASY5 Configuration:

- Probe: EX3DV4 - SN3826; ConvF(4.45, 4.45, 4.45); Calibrated: 2022/8/8
- Sensor-Surface: 1.4mm (Mechanical Surface Detection)
- Electronics: DAE4 Sn1303; Calibrated: 2022/11/24
- Phantom: SAM Twin Phantom; Type: SAM Twin; Serial: TP-1842
- Measurement SW: DASY52, Version 52.10 (4); SEMCAD X Version 14.6.14 (7501)

Pin=50mW/Area Scan (91x91x1): Interpolated grid: dx=1.000 mm, dy=1.000 mm
Maximum value of SAR (interpolated) = 10.2 W/kg

Pin=50mW/Zoom Scan (7x7x7)/Cube 0: Measurement grid: dx=4mm, dy=4mm, dz=1.4mm
Reference Value = 27.02 V/m; Power Drift = 0.05 dB
Peak SAR (extrapolated) = 18.7 W/kg
SAR(1 g) = 3.96 W/kg; SAR(10 g) = 1.12 W/kg
Maximum value of SAR (measured) = 10.4 W/kg



0 dB = 10.4 W/kg = 10.17 dBW/kg

System Check_Head_2450MHz

DUT: D2450V2 - SN:1040

Communication System: UID 0, CW (0); Frequency: 2450 MHz; Duty Cycle: 1:1
Medium: HSL_2450 Medium parameters used: $f = 2450$ MHz; $\sigma = 1.854$ S/m; $\epsilon_r = 39.1$; $\rho = 1000$ kg/m³

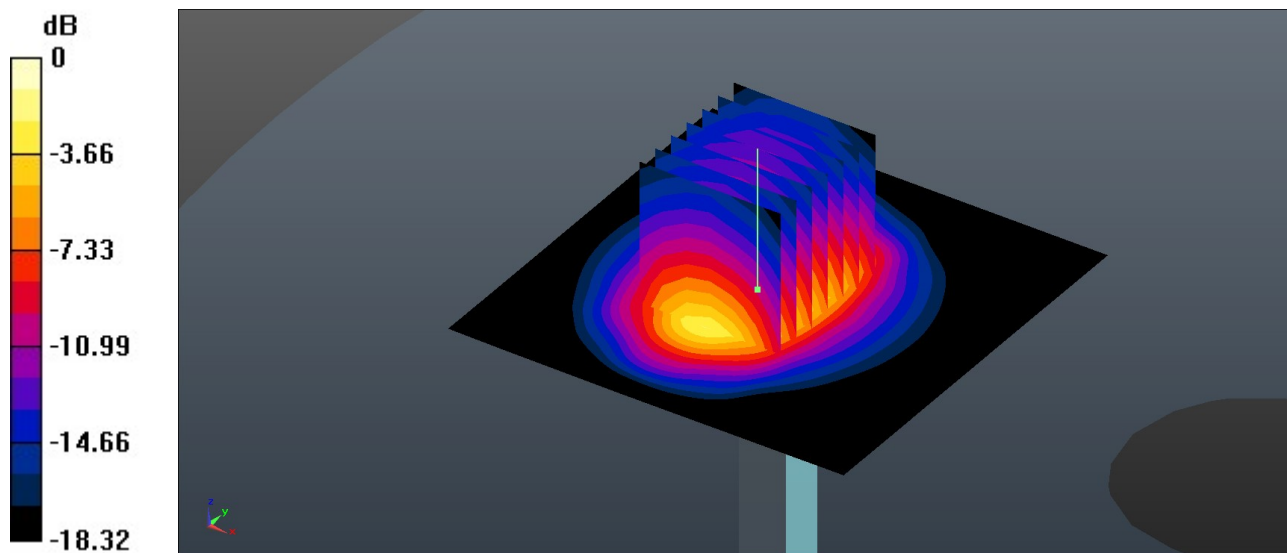
Ambient Temperature : 23.2 °C; Liquid Temperature : 22.5 °C

DASY5 Configuration:

- Probe: EX3DV4 - SN3826; ConvF(7.57, 7.57, 7.57); Calibrated: 2022/8/8
- Sensor-Surface: 1.4mm (Mechanical Surface Detection)
- Electronics: DAE4 Sn1303; Calibrated: 2022/11/24
- Phantom: SAM Twin Phantom; Type: SAM Twin; Serial: TP-1842
- Measurement SW: DASY52, Version 52.10 (4); SEMCAD X Version 14.6.14 (7501)

Pin=50mW/Area Scan (71x71x1): Interpolated grid: dx=1.200 mm, dy=1.200 mm
Maximum value of SAR (interpolated) = 5.40 W/kg

Pin=50mW/Zoom Scan (7x7x7)/Cube 0: Measurement grid: dx=5mm, dy=5mm, dz=5mm
Reference Value = 52.10 V/m; Power Drift = 0.14 dB
Peak SAR (extrapolated) = 6.16 W/kg
SAR(1 g) = 2.45 W/kg; SAR(10 g) = 1.18 W/kg
Maximum value of SAR (measured) = 5.22 W/kg



0 dB = 5.22 W/kg = 7.18 dBW/kg

System Check_Head_5250MHz

DUT: D5GHzV2 - SN:1113

Communication System: UID 0, CW (0); Frequency: 5250 MHz; Duty Cycle: 1:1
Medium: HSL_5000 Medium parameters used: $f = 5250$ MHz; $\sigma = 4.557$ S/m; $\epsilon_r = 34.998$; $\rho = 1000$ kg/m³

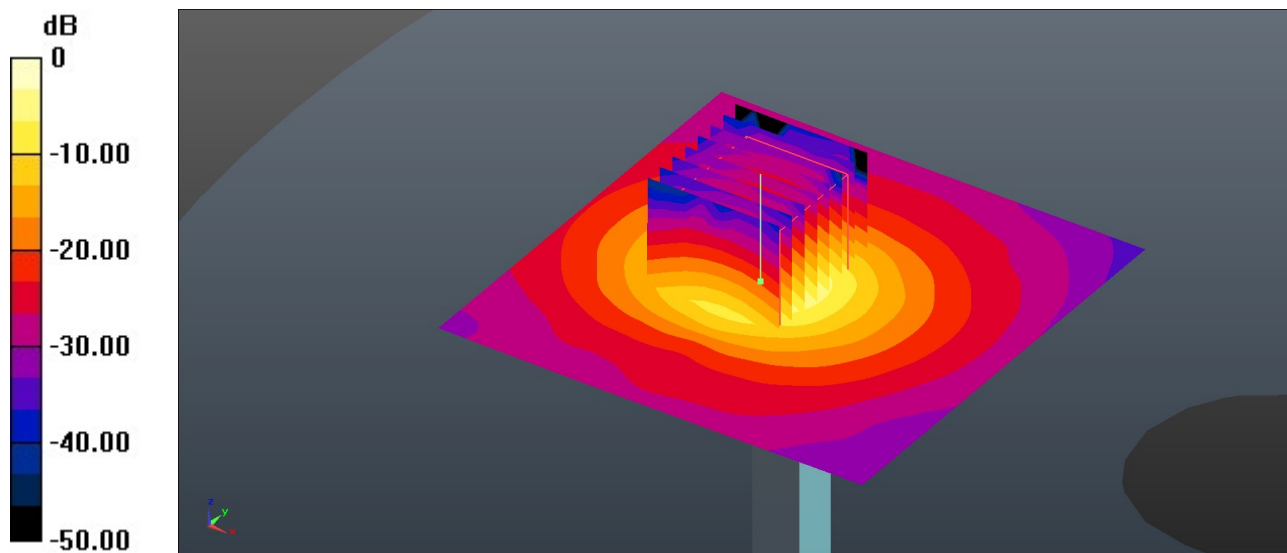
Ambient Temperature : 23.3 °C; Liquid Temperature : 22.6 °C

DASY5 Configuration:

- Probe: EX3DV4 - SN3826; ConvF(5.1, 5.1, 5.1); Calibrated: 2022/8/8
- Sensor-Surface: 1.4mm (Mechanical Surface Detection)
- Electronics: DAE4 Sn1303; Calibrated: 2022/11/24
- Phantom: SAM Twin Phantom; Type: SAM Twin; Serial: TP-1842
- Measurement SW: DASY52, Version 52.10 (4); SEMCAD X Version 14.6.14 (7501)

Pin=50mW/Area Scan (91x91x1): Interpolated grid: dx=1.000 mm, dy=1.000 mm
Maximum value of SAR (interpolated) = 9.27 W/kg

Pin=50mW/Zoom Scan (8x8x7)/Cube 0: Measurement grid: dx=4mm, dy=4mm, dz=1.4mm
Reference Value = 28.88 V/m; Power Drift = 0.05 dB
Peak SAR (extrapolated) = 15.8 W/kg
SAR(1 g) = 3.85 W/kg; SAR(10 g) = 1.1 W/kg
Maximum value of SAR (measured) = 9.67 W/kg



System Check_Head_5600MHz

DUT: D5GHzV2 - SN:1113

Communication System: UID 0, CW (0); Frequency: 5600 MHz; Duty Cycle: 1:1
Medium: HSL_5000 Medium parameters used: $f = 5600$ MHz; $\sigma = 4.946$ S/m; $\epsilon_r = 34.382$; $\rho = 1000$ kg/m³

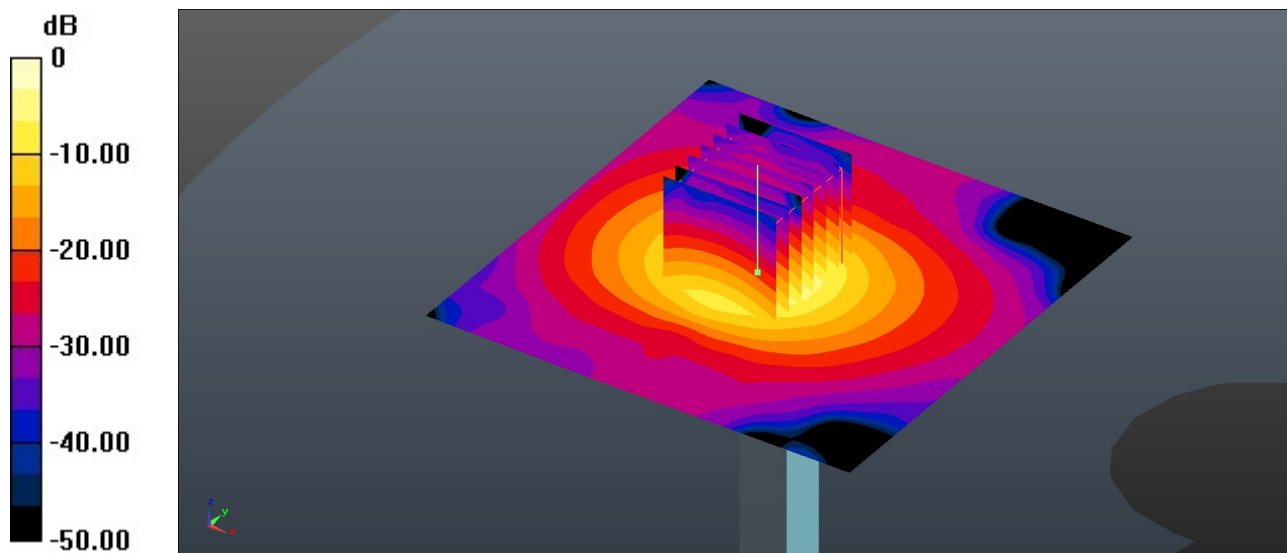
Ambient Temperature : 23.2 °C; Liquid Temperature : 22.8 °C

DASY5 Configuration:

- Probe: EX3DV4 - SN3826; ConvF(4.54, 4.54, 4.54); Calibrated: 2022/8/8
- Sensor-Surface: 1.4mm (Mechanical Surface Detection)
- Electronics: DAE4 Sn1303; Calibrated: 2022/11/24
- Phantom: SAM Twin Phantom; Type: SAM Twin; Serial: TP-1842
- Measurement SW: DASY52, Version 52.10 (4); SEMCAD X Version 14.6.14 (7501)

Pin=50mW/Area Scan (91x91x1): Interpolated grid: dx=1.000 mm, dy=1.000 mm
Maximum value of SAR (interpolated) = 10.1 W/kg

Pin=50mW/Zoom Scan (7x7x7)/Cube 0: Measurement grid: dx=4mm, dy=4mm, dz=1.4mm
Reference Value = 30.04 V/m; Power Drift = 0.08 dB
Peak SAR (extrapolated) = 17.2 W/kg
SAR(1 g) = 4.19 W/kg; SAR(10 g) = 1.19 W/kg
Maximum value of SAR (measured) = 10.6 W/kg



0 dB = 10.6 W/kg = 10.25 dBW/kg

System Check_Head_5750MHz

DUT: D5GHzV2 - SN:1113

Communication System: UID 0, CW (0); Frequency: 5750 MHz; Duty Cycle: 1:1

Medium: HSL_5000 Medium parameters used: $f = 5750$ MHz; $\sigma = 5.12$ S/m; $\epsilon_r = 34.108$; $\rho = 1000$ kg/m³

Ambient Temperature : 23.4 °C; Liquid Temperature : 22.9 °C

DASY5 Configuration:

- Probe: EX3DV4 - SN3826; ConvF(4.45, 4.45, 4.45); Calibrated: 2022/8/8
- Sensor-Surface: 1.4mm (Mechanical Surface Detection)
- Electronics: DAE4 Sn1303; Calibrated: 2022/11/24
- Phantom: SAM Twin Phantom; Type: SAM Twin; Serial: TP-1842
- Measurement SW: DASY52, Version 52.10 (4); SEMCAD X Version 14.6.14 (7501)

Pin=50mW/Area Scan (91x91x1): Interpolated grid: dx=1.000 mm, dy=1.000 mm
Maximum value of SAR (interpolated) = 10.1 W/kg

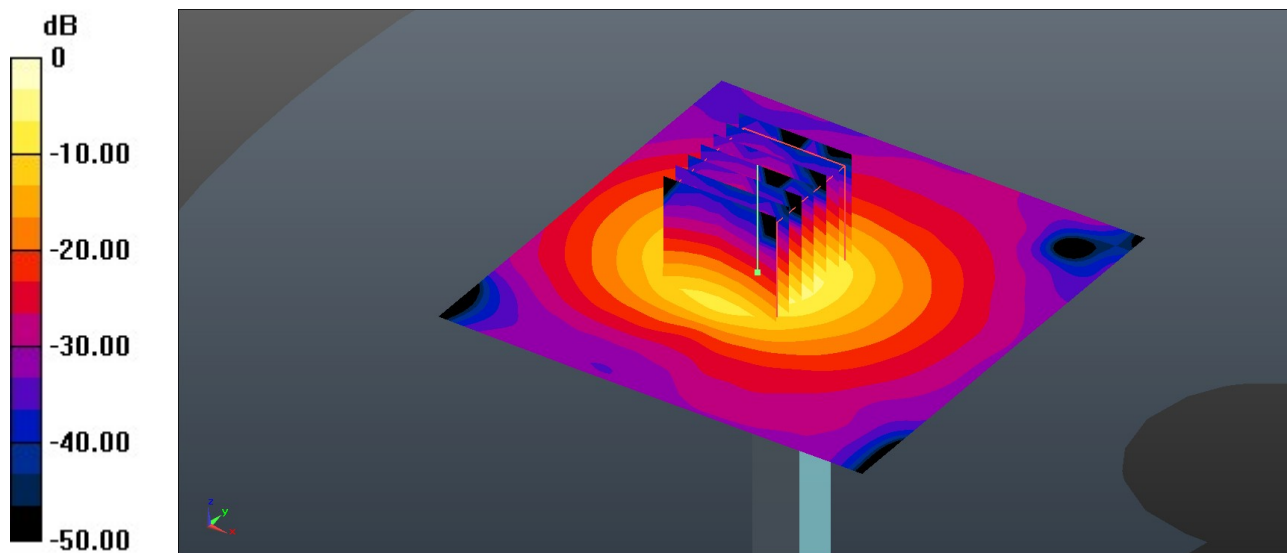
Pin=50mW/Zoom Scan (7x7x7)/Cube 0: Measurement grid: dx=4mm, dy=4mm, dz=1.4mm

Reference Value = 53.92 V/m; Power Drift = 0.04 dB

Peak SAR (extrapolated) = 9.37 W/kg

SAR(1 g) = 3.89 W/kg; SAR(10 g) = 1.12 W/kg

Maximum value of SAR (measured) = 10.4 W/kg



0 dB = 10.4 W/kg = 10.17 dBW/kg

System Check_Head_2600MHz

DUT: D2600V2 - SN:1061

Communication System: UID 0, CW (0); Frequency: 2600 MHz; Duty Cycle: 1:1
Medium: HSL_2600 Medium parameters used: $f = 2600$ MHz; $\sigma = 1.881$ S/m; $\epsilon_r = 39.126$; $\rho = 1000$ kg/m³

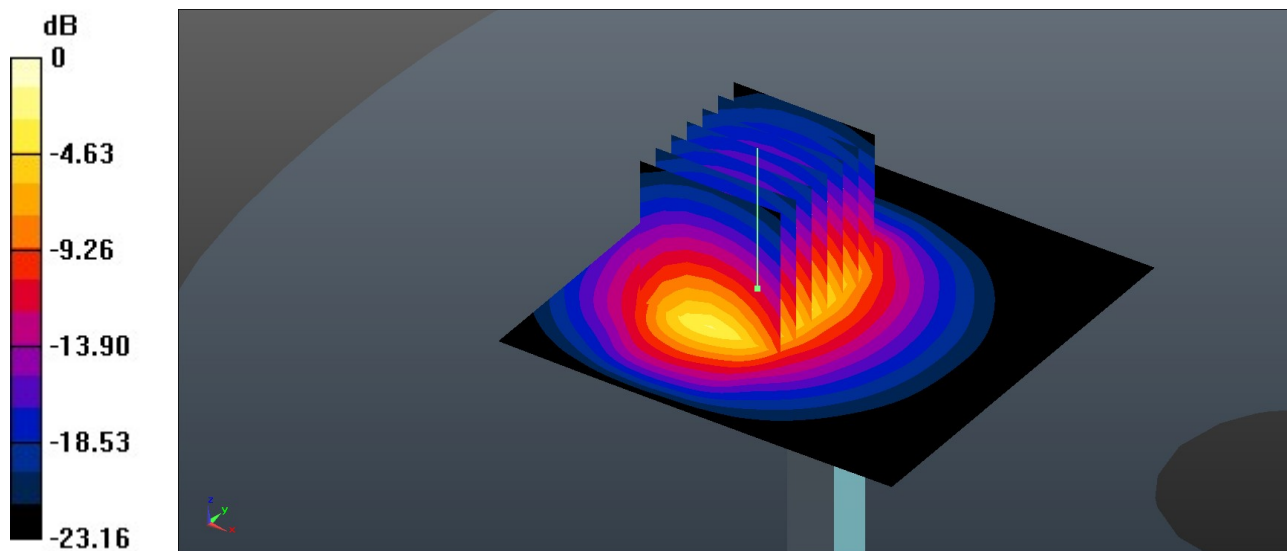
Ambient Temperature : 23.3 °C; Liquid Temperature : 22.7 °C

DASY5 Configuration:

- Probe: EX3DV4 - SN3826; ConvF(7.35, 7.35, 7.35); Calibrated: 2022/8/8
- Sensor-Surface: 1.4mm (Mechanical Surface Detection)
- Electronics: DAE4 Sn1303; Calibrated: 2022/11/24
- Phantom: SAM Twin Phantom; Type: SAM Twin; Serial: TP-1842
- Measurement SW: DASY52, Version 52.10 (4); SEMCAD X Version 14.6.14 (7501)

Pin=50mW/Area Scan (71x71x1): Interpolated grid: dx=1.200 mm, dy=1.200 mm
Maximum value of SAR (interpolated) = 4.46 W/kg

Pin=50mW/Zoom Scan (7x7x7)/Cube 0: Measurement grid: dx=5mm, dy=5mm, dz=5mm
Reference Value = 26.34 V/m; Power Drift = 0.06 dB
Peak SAR (extrapolated) = 5.53 W/kg
SAR(1 g) = 2.7 W/kg; SAR(10 g) = 1.17 W/kg
Maximum value of SAR (measured) = 4.44 W/kg



0 dB = 4.44 W/kg = 6.47 dBW/kg

System Check_Head_3700MHz

DUT: D3700V2 - SN:1008

Communication System: UID 0, CW (0); Frequency: 3700 MHz; Duty Cycle: 1:1

Medium: HSL_3700 Medium parameters used: $f = 3700$ MHz; $\sigma = 2.995$ S/m; $\epsilon_r = 38.679$; $\rho = 1000$ kg/m³

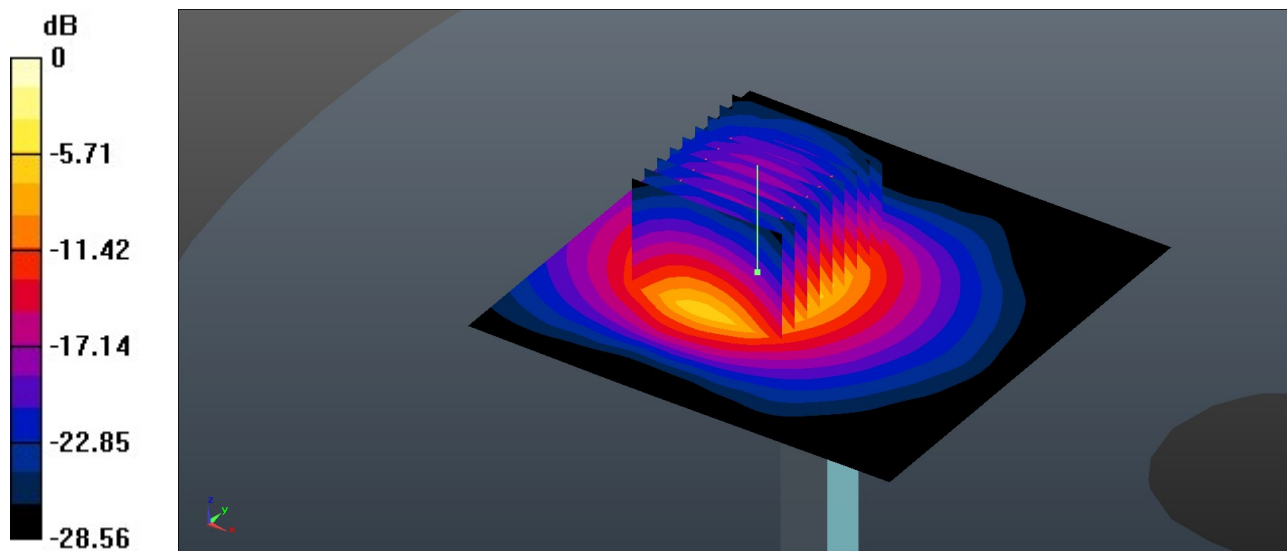
Ambient Temperature : 23.2 °C; Liquid Temperature : 22.8 °C

DASY5 Configuration:

- Probe: EX3DV4 - SN3826; ConvF(6.98, 6.98, 6.98); Calibrated: 2022/8/8
- Sensor-Surface: 1.4mm (Mechanical Surface Detection)
- Electronics: DAE4 Sn1303; Calibrated: 2022/11/24
- Phantom: SAM Twin Phantom; Type: SAM Twin; Serial: TP-1842
- Measurement SW: DASY52, Version 52.10 (4); SEMCAD X Version 14.6.14 (7501)

Pin=50mW/Area Scan (91x91x1): Interpolated grid: dx=1.000 mm, dy=1.000 mm
Maximum value of SAR (interpolated) = 6.41 W/kg

Pin=50mW/Zoom Scan (9x9x7)/Cube 0: Measurement grid: dx=4mm, dy=4mm, dz=1.4mm
Reference Value = 24.44 V/m; Power Drift = 0.02 dB
Peak SAR (extrapolated) = 9.03 W/kg
SAR(1 g) = 3.24 W/kg; SAR(10 g) = 1.2 W/kg
Maximum value of SAR (measured) = 6.49 W/kg



0 dB = 6.49 W/kg = 8.12 dBW/kg

System Check_Head_3500MHz

DUT: D3500V2 - SN:1037

Communication System: UID 0, CW (0); Frequency: 3500 MHz; Duty Cycle: 1:1
Medium: HSL_3500 Medium parameters used: $f = 3500$ MHz; $\sigma = 2.811$ S/m; $\epsilon_r = 38.713$; $\rho = 1000$ kg/m³

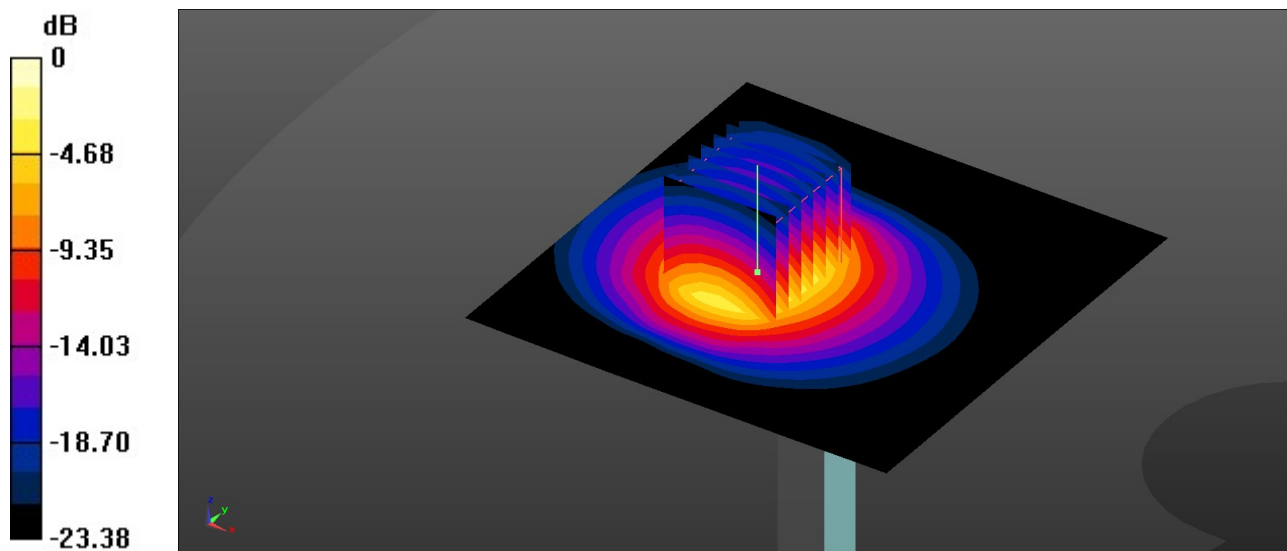
Ambient Temperature : 23.4 °C; Liquid Temperature : 22.9 °C

DASY5 Configuration:

- Probe: EX3DV4 - SN3826; ConvF(7.05, 7.05, 7.05); Calibrated: 2022/8/8
- Sensor-Surface: 1.4mm (Mechanical Surface Detection)
- Electronics: DAE4 Sn1303; Calibrated: 2022/11/24
- Phantom: SAM Twin Phantom; Type: SAM Twin; Serial: TP-1842
- Measurement SW: DASY52, Version 52.10 (4); SEMCAD X Version 14.6.14 (7501)

Pin=50mW/Area Scan (91x91x1): Interpolated grid: dx=1.000 mm, dy=1.000 mm
Maximum value of SAR (interpolated) = 5.87 W/kg

Pin=50mW/Zoom Scan (7x7x7)/Cube 0: Measurement grid: dx=4mm, dy=4mm, dz=1.4mm
Reference Value = 29.91 V/m; Power Drift = 0.04 dB
Peak SAR (extrapolated) = 8.09 W/kg
SAR(1 g) = 3.15 W/kg; SAR(10 g) = 1.19 W/kg
Maximum value of SAR (measured) = 6.04 W/kg



0 dB = 6.04 W/kg = 7.81 dBW/kg