

## HAC\_E\_Dipole\_835

### DUT: HAC-Dipole 835 MHz

Communication System: UID 0, CW; Frequency: 835 MHz; Duty Cycle: 1:1

Medium: Air Medium parameters used:  $\sigma = 0$  S/m,  $\epsilon_r = 1$ ;  $\rho = 0$  kg/m<sup>3</sup>

Ambient Temperature : 23.4 °C

#### DASY5 Configuration:

- Probe: ER3DV6 - SN2302; ConvF(1, 1, 1); Calibrated: 2022/6/16
- Sensor-Surface: (Fix Surface)
- Electronics: DAE4 Sn1664; Calibrated: 2022/5/30
- Phantom: HAC Test Arch with AMCC; Type: SD HAC P01 BA;
- Measurement SW: DASY52, Version 52.10 (3); SEMCAD X Version 14.6.13 (7474)

### E Scan - measurement distance from the probe sensor center to CD835 = 15mm/Hearing Aid Compatibility Test at 15mm distance (41x361x1): Interpolated grid:

dx=0.5000 mm, dy=0.5000 mm

Device Reference Point: 0, 0, -6.3 mm

Reference Value = 125.7 V/m; Power Drift = 0.08 dB

PMR not calibrated. PMF = 1.000 is applied.

E-field emissions = 117.9 V/m

Average value of Total=(118.6+112.2)/2=115.4 V/m

#### PMF scaled E-field

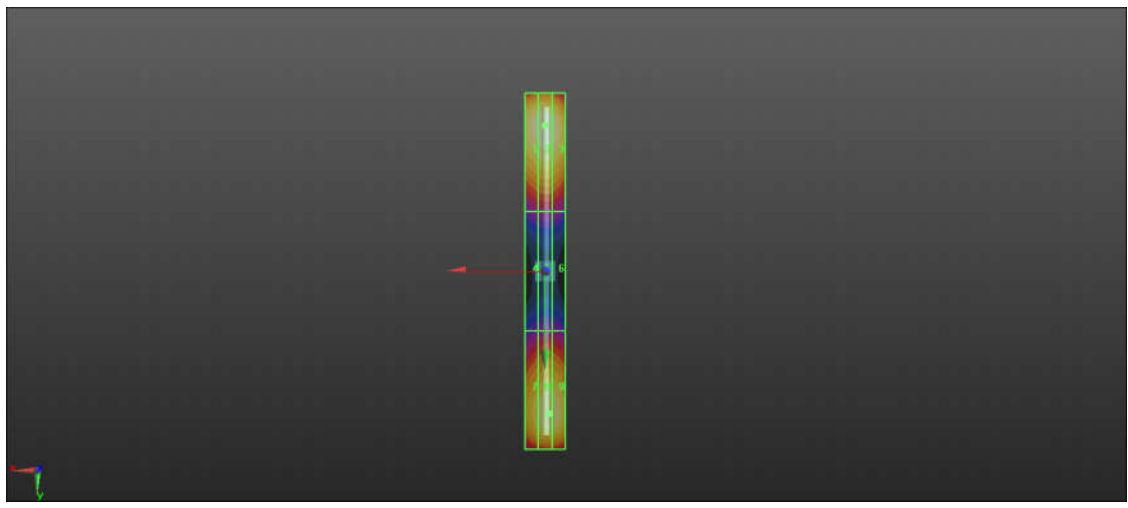
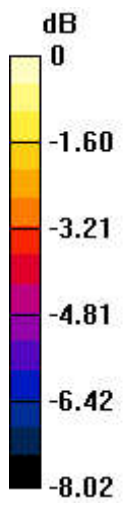
Grid 1 <b>M4</b> <b>116.2 V/m</b>	Grid 2 <b>M4</b> <b>118.6 V/m</b>	Grid 3 <b>M4</b> <b>116.1 V/m</b>
Grid 4 <b>M4</b> <b>69.16 V/m</b>	Grid 5 <b>M4</b> <b>70.36 V/m</b>	Grid 6 <b>M4</b> <b>69.85 V/m</b>
Grid 7 <b>M4</b> <b>106.2 V/m</b>	Grid 8 <b>M4</b> <b>112.2 V/m</b>	Grid 9 <b>M4</b> <b>111.6 V/m</b>

#### Cursor:

Total = 117.9 V/m

E Category: M4

Location: 0, -73.5, 8.7 mm



0 dB = 117.9 V/m = 41.47 dBV/m

## HAC\_E\_Dipole\_1880

### DUT: HAC Dipole 1880 MHz

Communication System: UID 0, CW; Frequency: 1880 MHz; Duty Cycle: 1:1

Medium: Air Medium parameters used:  $\sigma = 0$  S/m,  $\epsilon_r = 1$ ;  $\rho = 0$  kg/m<sup>3</sup>

Ambient Temperature : 23.4 °C

#### DASY5 Configuration:

- Probe: ER3DV6 - SN2302; ConvF(1, 1, 1); Calibrated: 2022/6/16
- Sensor-Surface: (Fix Surface)
- Electronics: DAE4 Sn1664; Calibrated: 2021/5/30
- Phantom: HAC Test Arch with AMCC; Type: SD HAC P01 BA;
- Measurement SW: DASY52, Version 52.10 (3); SEMCAD X Version 14.6.13 (7474)

### E Scan - measurement distance from the probe sensor center to CD1880 = 15mm/Hearing Aid Compatibility Test at 15mm distance (41x181x1): Interpolated grid:

dx=0.5000 mm, dy=0.5000 mm

Device Reference Point: 0, 0, -6.3 mm

Reference Value = 143.3 V/m; Power Drift = 0.06 dB

PMR not calibrated. PMF = 1.000 is applied.

E-field emissions = 97.61 V/m

Average value of Total=(97.33+92.05)/2=94.69 V/m

#### PMF scaled E-field

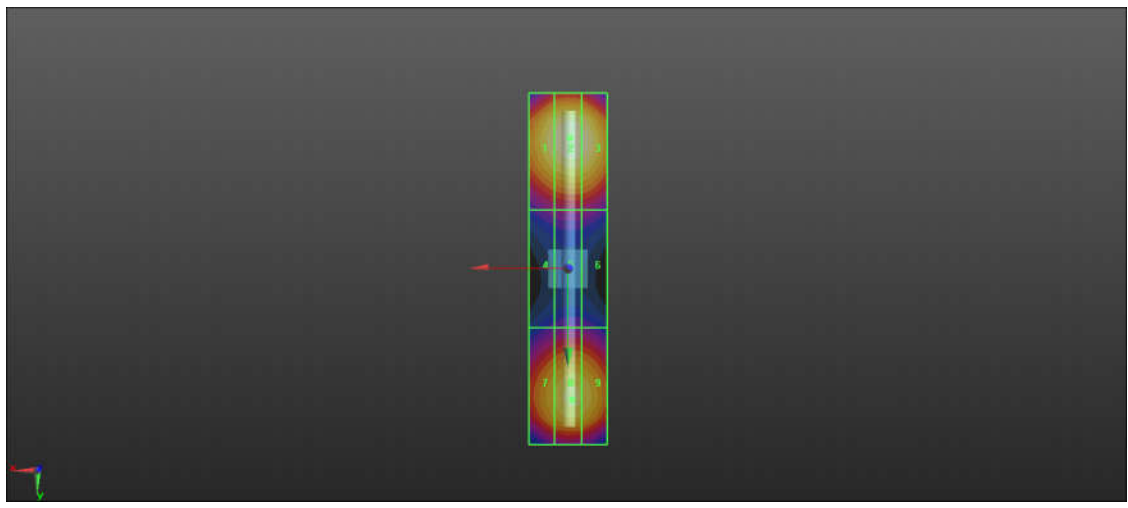
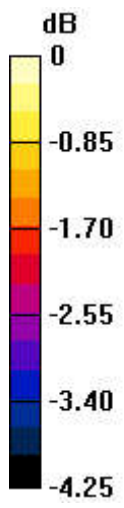
<b>Grid 1 M3</b> <b>94.63 V/m</b>	<b>Grid 2 M3</b> <b>97.33 V/m</b>	<b>Grid 3 M3</b> <b>96.62 V/m</b>
<b>Grid 4 M3</b> <b>72.91 V/m</b>	<b>Grid 5 M3</b> <b>74.06 V/m</b>	<b>Grid 6 M3</b> <b>73.75 V/m</b>
<b>Grid 7 M3</b> <b>89.17 V/m</b>	<b>Grid 8 M3</b> <b>92.05 V/m</b>	<b>Grid 9 M3</b> <b>91.67 V/m</b>

#### Cursor:

Total = 97.61 V/m

E Category: M3

Location: -0.5, -33.5, 8.7 mm



0 dB = 97.61 V/m = 39.75 dBV/m

## HAC\_E\_Dipole\_2450

### DUT: HAC-Dipole 2450 MHz

Communication System: UID 0, CW; Frequency: 2450 MHz; Duty Cycle: 1:1

Medium: Air Medium parameters used:  $\sigma = 0$  S/m,  $\epsilon_r = 1$ ;  $\rho = 0$  kg/m<sup>3</sup>

Ambient Temperature : 23.4 °C

#### DASY5 Configuration:

- Probe: ER3DV6 - SN2302; ConvF(1, 1, 1); Calibrated: 2022/6/16
- Sensor-Surface: (Fix Surface)
- Electronics: DAE4 Sn1664; Calibrated: 2021/5/30
- Phantom: HAC Test Arch with AMCC; Type: SD HAC P01 BA;
- Measurement SW: DASY52, Version 52.10 (3); SEMCAD X Version 14.6.13 (7474)

### E Scan - measurement distance from the probe sensor center to CD2450 = 15mm/Hearing Aid Compatibility Test at 15mm distance (41x181x1): Interpolated grid:

dx=0.5000 mm, dy=0.5000 mm

Device Reference Point: 0, 0, -6.3 mm

Reference Value = 73.41 V/m; Power Drift = -0.07 dB

PMR not calibrated. PMF = 1.000 is applied.

E-field emissions = 91.41 V/m

Average value of Total=(91.36+88.16)/2=89.76 V/m

#### PMF scaled E-field

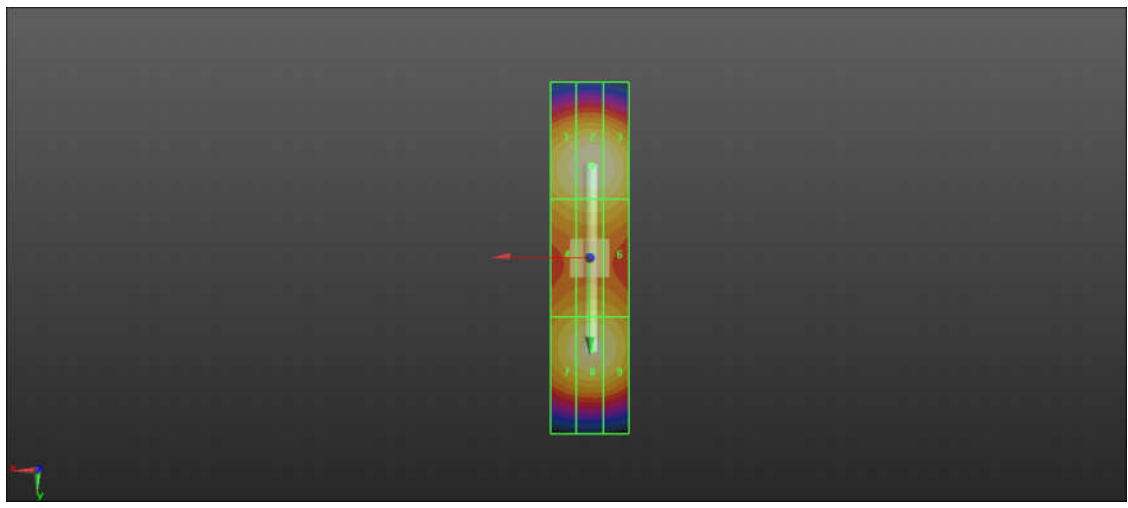
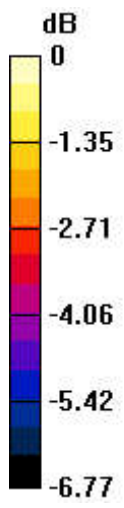
<b>Grid 1 M3</b> <b>89.47 V/m</b>	<b>Grid 2 M3</b> <b>91.36 V/m</b>	<b>Grid 3 M3</b> <b>90.94 V/m</b>
<b>Grid 4 M3</b> <b>82.38 V/m</b>	<b>Grid 5 M3</b> <b>83.73 V/m</b>	<b>Grid 6 M3</b> <b>83.18 V/m</b>
<b>Grid 7 M3</b> <b>85.66 V/m</b>	<b>Grid 8 M3</b> <b>88.16 V/m</b>	<b>Grid 9 M3</b> <b>87.31 V/m</b>

#### Cursor:

Total = 91.41 V/m

E Category: M3

Location: -0.5, -23.5, 8.7 mm



0 dB = 91.41 V/m = 39.31 dBV/m

**HAC\_E\_Dipole\_2600**

**DUT: HAC Dipole 2600 MHz**

Communication System: UID 0, CW (0); Frequency: 2600 MHz; Duty Cycle: 1:1

Medium: Air Medium parameters used:  $\sigma = 0$  S/m,  $\epsilon_r = 1$ ;  $\rho = 0$  kg/m<sup>3</sup>

Ambient Temperature : 23.4 °C

DASY5 Configuration:

- Probe: ER3DV6 - SN2302; ConvF(1, 1, 1); Calibrated: 2022/6/16
- Sensor-Surface: (Fix Surface)
- Electronics: DAE4 Sn1664; Calibrated: 2021/5/30
- Phantom: HAC Test Arch with AMCC; Type: SD HAC P01 BA;
- Measurement SW: DASY52, Version 52.10 (3); SEMCAD X Version 14.6.13 (7474)

**E Scan - measurement distance from the probe sensor center to CD2600 = 15mm/Hearing Aid Compatibility Test at 15mm distance (41x181x1): Interpolated grid:**

dx=0.5000 mm, dy=0.5000 mm

Device Reference Point: 0, 0, -6.3 mm

Reference Value = 73.79 V/m; Power Drift = 0.03 dB

PMR not calibrated. PMF = 1.000 is applied.

E-field emissions = 88.29 V/m

Average value of Total=(87.12+88.28)/2 = 87.7 V/m

PMF scaled E-field

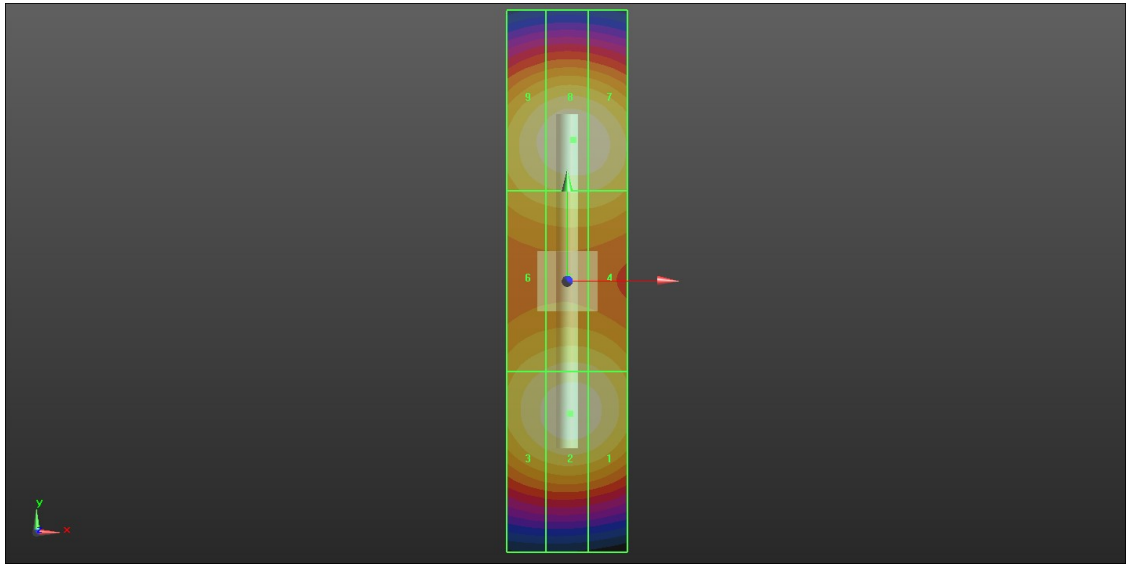
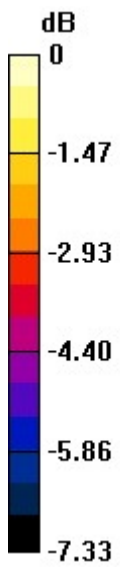
<b>Grid 1 M3</b> <b>86.14 V/m</b>	<b>Grid 2 M3</b> <b>87.12 V/m</b>	<b>Grid 3 M3</b> <b>84.84 V/m</b>
<b>Grid 4 M3</b> <b>80.85 V/m</b>	<b>Grid 5 M3</b> <b>81.47 V/m</b>	<b>Grid 6 M3</b> <b>79.75 V/m</b>
<b>Grid 7 M3</b> <b>87.77 V/m</b>	<b>Grid 8 M3</b> <b>88.28 V/m</b>	<b>Grid 9 M3</b> <b>85.82 V/m</b>

**Cursor:**

Total = 88.29 V/m

E Category: M3

Location: 1, 23.5, 9.7 mm



0 dB = 88.29 V/m = 38.89 dBV/m



**HAC\_E\_Dipole\_3500**

**DUT: HAC Dipole 3500 MHz**

Communication System: UID 0, CW (0); Frequency: 3500 MHz; Duty Cycle: 1:1

Medium: Air Medium parameters used:  $\sigma = 0$  S/m,  $\epsilon_r = 1$ ;  $\rho = 0$  kg/m<sup>3</sup>

Ambient Temperature : 23.4 °C

DASY5 Configuration:

- Probe: ER3DV6 - SN2302; ConvF(1, 1, 1); Calibrated: 2022/6/16
- Sensor-Surface: (Fix Surface)
- Electronics: DAE4 Sn1664; Calibrated: 2022/5/30
- Phantom: HAC Test Arch with AMCC; Type: SD HAC P01 BA;
- Measurement SW: DASY52, Version 52.10 (3); SEMCAD X Version 14.6.13 (7474)

**E Scan - measurement distance from the probe sensor center to CD3500 = 15mm/Hearing Aid Compatibility Test at 15mm distance (41x121x1): Interpolated grid:**

dx=0.5000 mm, dy=0.5000 mm

Device Reference Point: 0, 0, -6.3 mm

Reference Value = 38.69 V/m; Power Drift = 0.09 dB

PMR not calibrated. PMF = 1.000 is applied.

E-field emissions = 88.48 V/m

Average value of Total=(88.62+88.12)/2 = 88.37 V/m

PMF scaled E-field

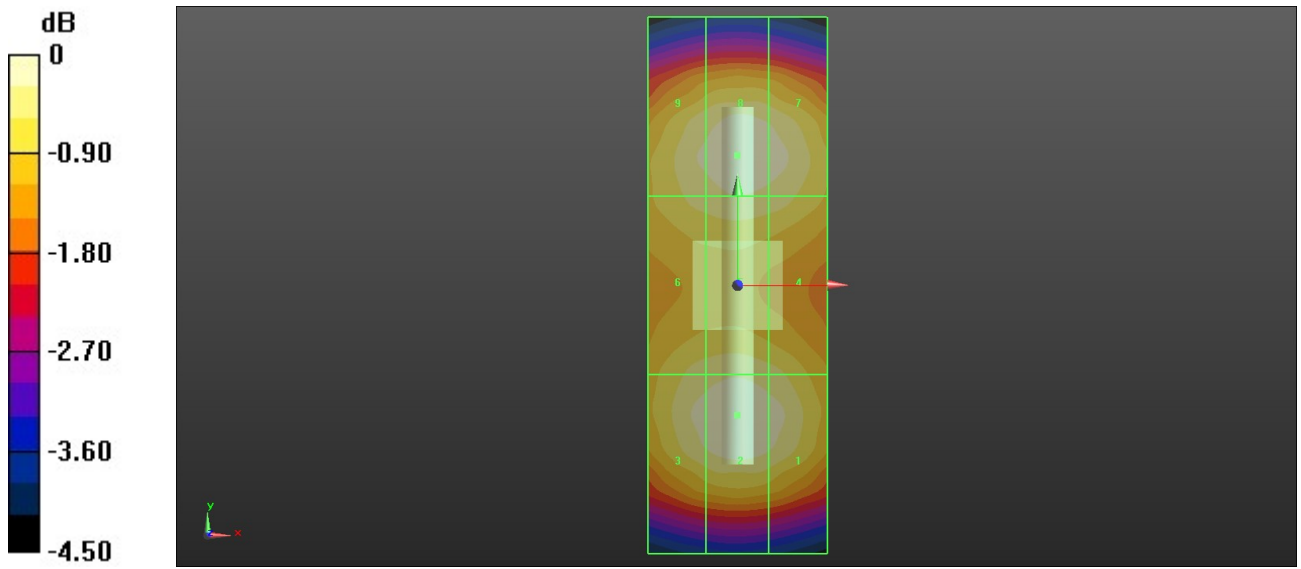
<b>Grid 1 M3</b> <b>87.57 V/m</b>	<b>Grid 2 M3</b> <b>88.62 V/m</b>	<b>Grid 3 M3</b> <b>87.45 V/m</b>
<b>Grid 4 M3</b> <b>85.07 V/m</b>	<b>Grid 5 M3</b> <b>85.99 V/m</b>	<b>Grid 6 M3</b> <b>84.93 V/m</b>
<b>Grid 7 M3</b> <b>87.53 V/m</b>	<b>Grid 8 M3</b> <b>88.12 V/m</b>	<b>Grid 9 M3</b> <b>86.41 V/m</b>

**Cursor:**

Total = 88.48 V/m

E Category: M3

Location: 0, -14.5, 9.7 mm



0 dB = 88.48 V/m = 39.11 dBV/m