

System Check_Head_5250MHz

DUT: D5GHzV2 - SN:1113

Communication System: UID 0, CW (0); Frequency: 5250 MHz; Duty Cycle: 1:1
Medium: HSL_5000 Medium parameters used: $f = 5250$ MHz; $\sigma = 4.587$ S/m; $\epsilon_r = 36.212$; $\rho = 1000$ kg/m³

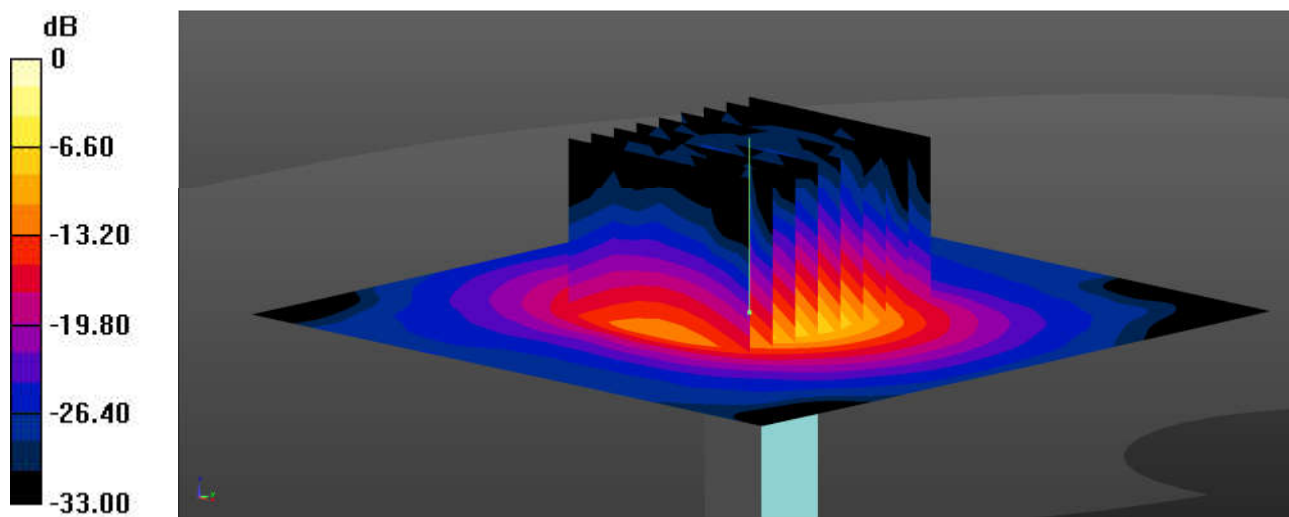
Ambient Temperature : 23.3 °C; Liquid Temperature : 22.7 °C

DASY5 Configuration:

- Probe: EX3DV4 - SN7630; ConvF(5.55, 5.55, 5.55); Calibrated: 2021.2.10
- Sensor-Surface: 1.4mm (Mechanical Surface Detection)
- Electronics: DAE4 Sn690; Calibrated: 2021.3.17
- Phantom: SAM Twin Phantom; Type: SAM Twin; Serial: TP-2022
- Measurement SW: DASY52, Version 52.10 (4); SEMCAD X Version 14.6.14 (7483)

Pin=50mW/Area Scan (91x91x1): Interpolated grid: dx=1.000 mm, dy=1.000 mm
Maximum value of SAR (interpolated) = 7.63 W/kg

Pin=50mW/Zoom Scan (9x9x7)/Cube 0: Measurement grid: dx=4mm, dy=4mm, dz=1.4mm
Reference Value = 46.66 V/m; Power Drift = 0.15 dB
Peak SAR (extrapolated) = 14.0 W/kg
SAR(1 g) = 3.71 W/kg; SAR(10 g) = 1.13 W/kg
Maximum value of SAR (measured) = 8.75 W/kg



0 dB = 8.75 W/kg = 9.42 dBW/kg

System Check_Head_5600MHz

DUT: D5GHzV2 - SN:1113

Communication System: UID 0, CW (0); Frequency: 5600 MHz; Duty Cycle: 1:1
Medium: HSL_5000 Medium parameters used: $f = 5600$ MHz; $\sigma = 4.964$ S/m; $\epsilon_r = 35.707$; $\rho = 1000$ kg/m³

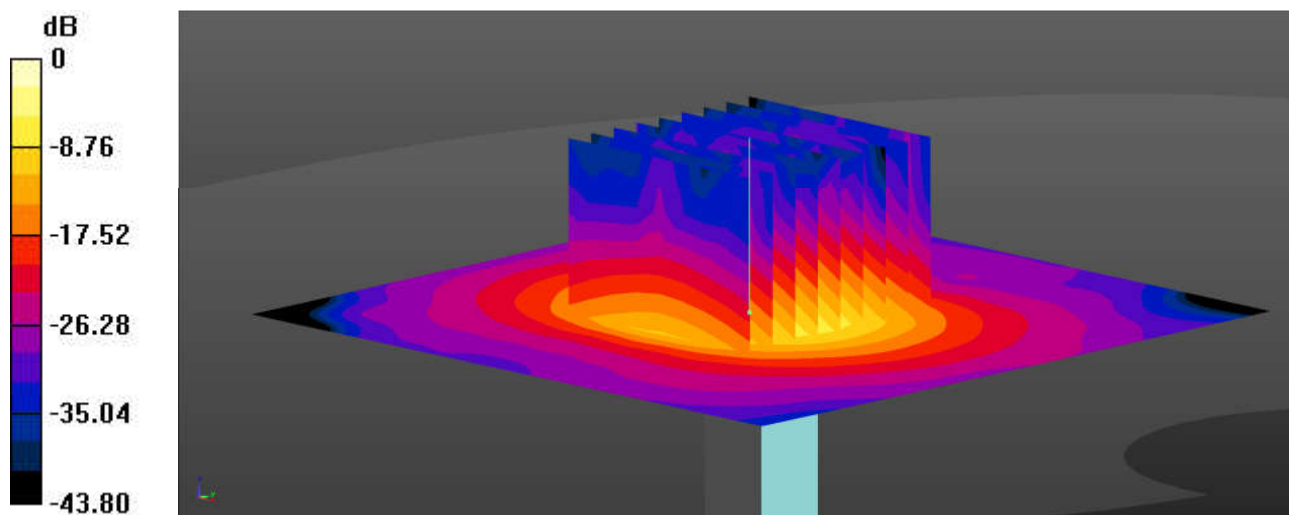
Ambient Temperature : 23.3 °C; Liquid Temperature : 22.7 °C

DASY5 Configuration:

- Probe: EX3DV4 - SN7630; ConvF(4.85, 4.85, 4.85); Calibrated: 2021.2.10
- Sensor-Surface: 1.4mm (Mechanical Surface Detection)
- Electronics: DAE4 Sn690; Calibrated: 2021.3.17
- Phantom: SAM Twin Phantom; Type: SAM Twin; Serial: TP-2022
- Measurement SW: DASY52, Version 52.10 (4); SEMCAD X Version 14.6.14 (7483)

Pin=50mW/Area Scan (91x91x1): Interpolated grid: dx=1.000 mm, dy=1.000 mm
Maximum value of SAR (interpolated) = 8.90 W/kg

Pin=50mW/Zoom Scan (9x9x7)/Cube 0: Measurement grid: dx=4mm, dy=4mm, dz=1.4mm
Reference Value = 48.25 V/m; Power Drift = 0.23 dB
Peak SAR (extrapolated) = 17.4 W/kg
SAR(1 g) = 3.85 W/kg; SAR(10 g) = 1.18 W/kg
Maximum value of SAR (measured) = 10.0 W/kg



0 dB = 10.0 W/kg = 10.00 dBW/kg

System Check_Head_5750MHz

DUT: D5GHzV2 - SN:1113

Communication System: UID 0, CW (0); Frequency: 5750 MHz; Duty Cycle: 1:1

Medium: HSL_5000 Medium parameters used: $f = 5750$ MHz; $\sigma = 5.137$ S/m; $\epsilon_r = 35.516$; $\rho = 1000$ kg/m³

Ambient Temperature : 23.3 °C; Liquid Temperature : 22.7 °C

DASY5 Configuration:

- Probe: EX3DV4 - SN7630; ConvF(5.07, 5.07, 5.07); Calibrated: 2021.2.10
- Sensor-Surface: 1.4mm (Mechanical Surface Detection)
- Electronics: DAE4 Sn690; Calibrated: 2021.3.17
- Phantom: SAM Twin Phantom; Type: SAM Twin; Serial: TP-2022
- Measurement SW: DASY52, Version 52.10 (4); SEMCAD X Version 14.6.14 (7483)

Pin=50mW/Area Scan (91x91x1): Interpolated grid: dx=1.000 mm, dy=1.000 mm

Maximum value of SAR (interpolated) = 8.33 W/kg

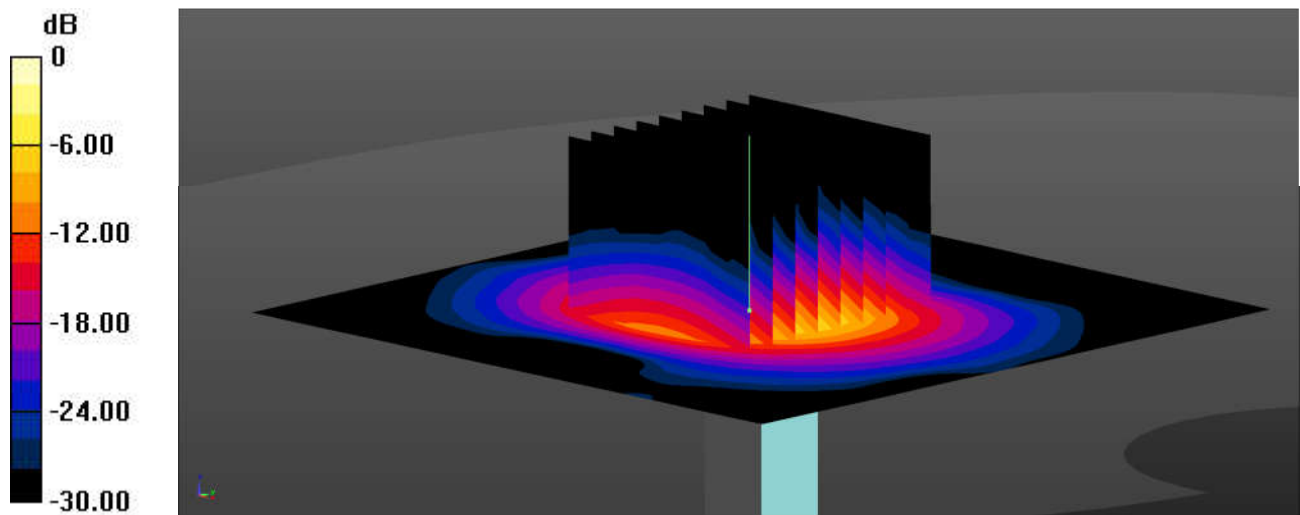
Pin=50mW/Zoom Scan (9x9x7)/Cube 0: Measurement grid: dx=4mm, dy=4mm, dz=1.4mm

Reference Value = 46.01 V/m; Power Drift = -0.02 dB

Peak SAR (extrapolated) = 15.4 W/kg

SAR(1 g) = 3.78 W/kg; SAR(10 g) = 1.09 W/kg

Maximum value of SAR (measured) = 8.89 W/kg



0 dB = 8.89 W/kg = 9.49 dBW/kg

System Check_Head_1750MHz

DUT: D1750V2 - SN:1090

Communication System: UID 0, CW (0); Frequency: 1750 MHz; Duty Cycle: 1:1

Medium: HSL_1750 Medium parameters used: $f = 1750$ MHz; $\sigma = 1.344$ S/m; $\epsilon_r = 38.993$; $\rho = 1000$ kg/m³

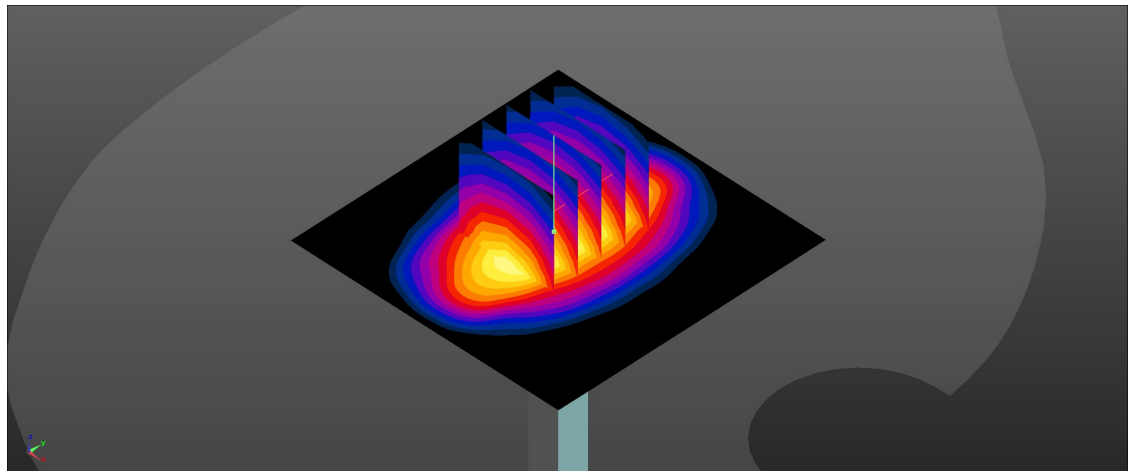
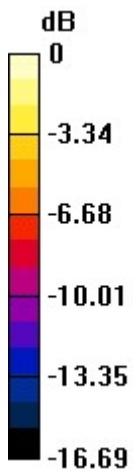
Ambient Temperature : 23.3 °C; Liquid Temperature : 22.9 °C

DASY5 Configuration:

- Probe: EX3DV4 - SN7630; ConvF(8.86, 8.86, 8.86); Calibrated: 2021.2.10
- Sensor-Surface: 1.4mm (Mechanical Surface Detection)
- Electronics: DAE4 Sn690; Calibrated: 2021.3.17
- Phantom: SAM Twin Phantom; Type: SAM Twin; Serial: TP-2022
- Measurement SW: DASY52, Version 52.10 (4); SEMCAD X Version 14.6.14 (7483)

Pin=50mW/Area Scan (61x61x1): Interpolated grid: dx=1.500 mm, dy=1.500 mm
Maximum value of SAR (interpolated) = 2.75 W/kg

Pin=50mW/Zoom Scan (5x5x7)/Cube 0: Measurement grid: dx=8mm, dy=8mm, dz=5mm
Reference Value = 45.78 V/m; Power Drift = 0.04 dB
Peak SAR (extrapolated) = 3.35 W/kg
SAR(1 g) = 1.8 W/kg; SAR(10 g) = 0.958 W/kg
Maximum value of SAR (measured) = 2.79 W/kg



0 dB = 2.79 W/kg = 4.46 dBW/kg

System Check_Head_3500MHz

DUT: D3500V2 - SN:1037

Communication System: UID 0, CW (0); Frequency: 3500 MHz; Duty Cycle: 1:1

Medium: HSL_3500 Medium parameters used: $f = 3500$ MHz; $\sigma = 2.826$ S/m; $\epsilon_r = 39.043$; $\rho = 1000$ kg/m³

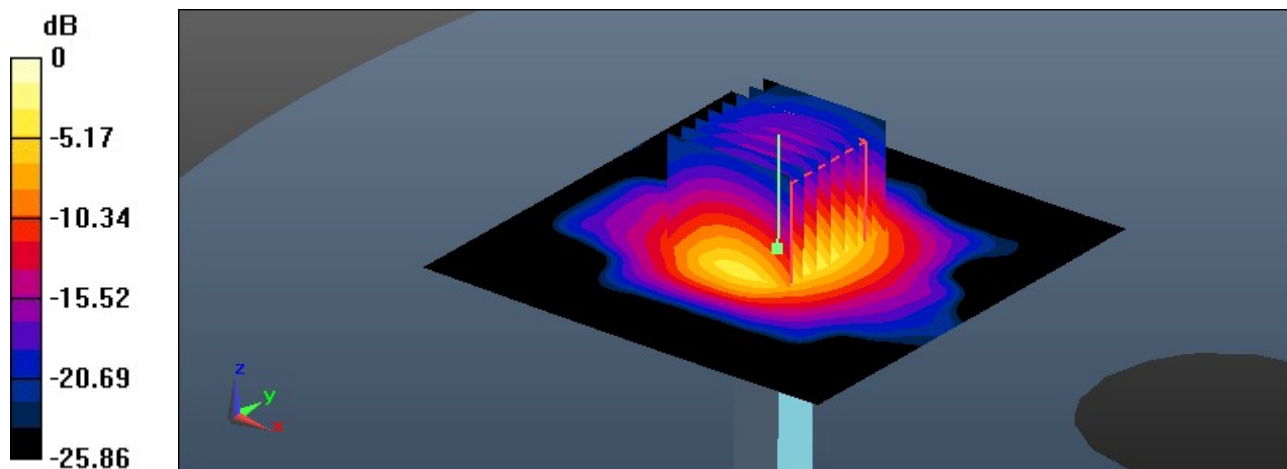
Ambient Temperature : 23.2 °C; Liquid Temperature : 22.7 °C

DASY5 Configuration:

- Probe: EX3DV4 - SN7630; ConvF(7.19, 7.19, 7.19); Calibrated: 2021.2.10
- Sensor-Surface: 1.4mm (Mechanical Surface Detection)
- Electronics: DAE4 Sn690; Calibrated: 2021.3.17
- Phantom: SAM Twin Phantom; Type: SAM Twin; Serial: TP-2022
- Measurement SW: DASY52, Version 52.10 (4); SEMCAD X Version 14.6.14 (7483)

Pin=50mW/Area Scan (91x91x1): Interpolated grid: dx=1.000 mm, dy=1.000 mm
Maximum value of SAR (interpolated) = 6.18 W/kg

Pin=50mW/Zoom Scan (8x8x7)/Cube 0: Measurement grid: dx=4mm, dy=4mm, dz=1.4mm
Reference Value = 50.37 V/m; Power Drift = -0.01 dB
Peak SAR (extrapolated) = 8.13 W/kg
SAR(1 g) = 3.29 W/kg; SAR(10 g) = 1.27 W/kg
Maximum value of SAR (measured) = 6.23 W/kg



0 dB = 6.23 W/kg = 7.94 dBW/kg

System Check_Head_3700MHz

DUT: D3700V2 - SN:1008

Communication System: UID 0, CW (0); Frequency: 3700 MHz; Duty Cycle: 1:1

Medium: HSL_3700 Medium parameters used: $f = 3700$ MHz; $\sigma = 3.015$ S/m; $\epsilon_r = 38.714$; $\rho = 1000$ kg/m³

Ambient Temperature : 23.2 °C; Liquid Temperature : 22.7 °C

DASY5 Configuration:

- Probe: EX3DV4 - SN7630; ConvF(7.13, 7.13, 7.13); Calibrated: 2021.2.10
- Sensor-Surface: 1.4mm (Mechanical Surface Detection)
- Electronics: DAE4 Sn690; Calibrated: 2021.3.17
- Phantom: SAM Twin Phantom; Type: SAM Twin; Serial: TP-2022
- Measurement SW: DASY52, Version 52.10 (4); SEMCAD X Version 14.6.14 (7483)

Pin=50mW/Area Scan (91x91x1): Interpolated grid: dx=1.000 mm, dy=1.000 mm
Maximum value of SAR (interpolated) = 6.02 W/kg

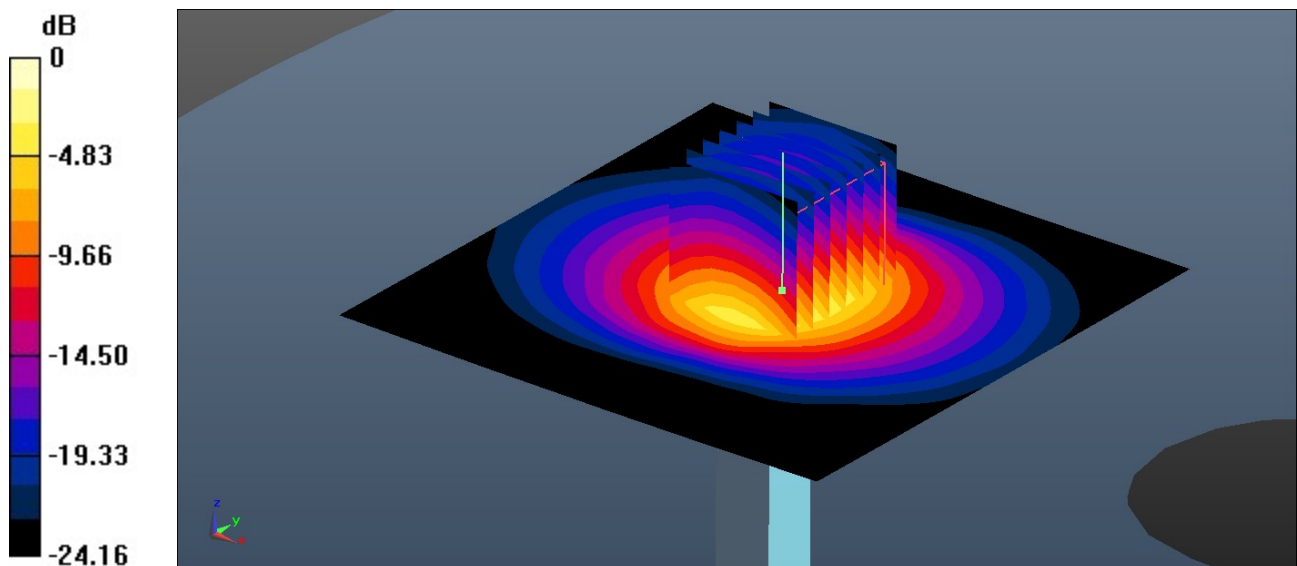
Pin=50mW/Zoom Scan (7x7x7)/Cube 0: Measurement grid: dx=4mm, dy=4mm, dz=1.4mm

Reference Value = 47.22 V/m; Power Drift = -0.02 dB

Peak SAR (extrapolated) = 8.24 W/kg

SAR(1 g) = 3.11 W/kg; SAR(10 g) = 1.17 W/kg

Maximum value of SAR (measured) = 6.02 W/kg



0 dB = 6.02 W/kg = 7.80 dBW/kg

System Check_Head_3900MHz

DUT: D3900V2 - SN:1048

Communication System: UID 0, CW (0); Frequency: 3900 MHz; Duty Cycle: 1:1

Medium: HSL_3900 Medium parameters used: $f = 3900$ MHz; $\sigma = 3.219$ S/m; $\epsilon_r = 38.416$; $\rho = 1000$ kg/m³

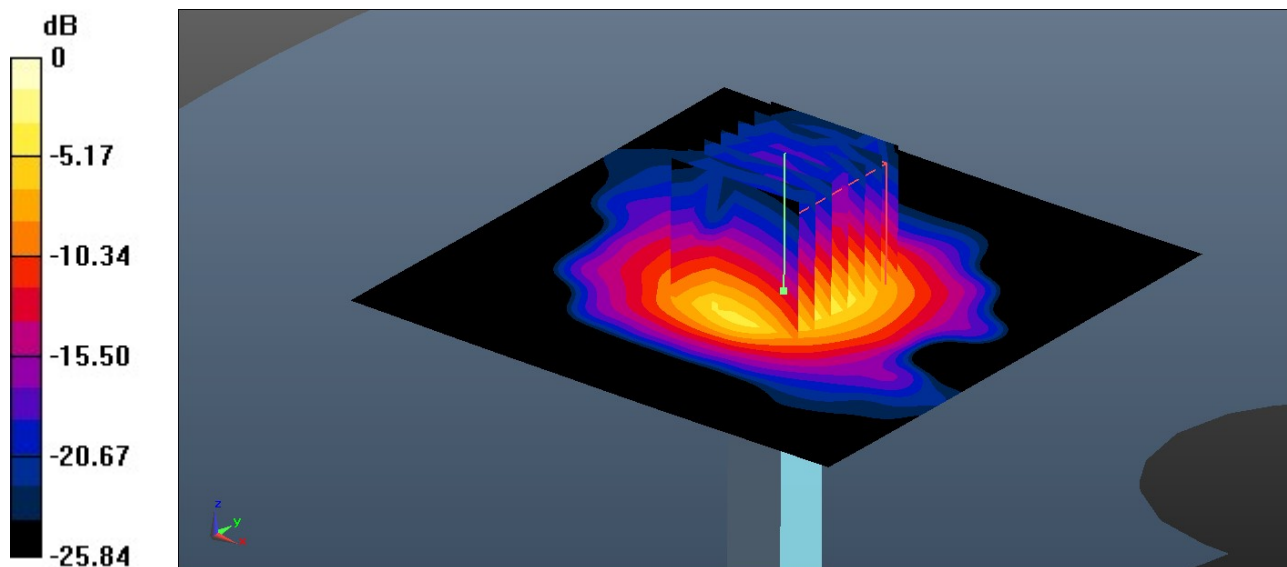
Ambient Temperature : 23.2 °C; Liquid Temperature : 22.7 °C

DASY5 Configuration:

- Probe: EX3DV4 - SN3935; ConvF(6.99, 6.99, 6.99); Calibrated: 2021.4.29
- Sensor-Surface: 1.4mm (Mechanical Surface Detection)
- Electronics: DAE4 Sn1650; Calibrated: 2021.6.9
- Phantom: SAM Twin Phantom; Type: SAM Twin; Serial: TP-1697
- Measurement SW: DASY52, Version 52.10 (4); SEMCAD X Version 14.6.14 (7483)

Pin=50mW/Area Scan (91x91x1): Interpolated grid: dx=1.000 mm, dy=1.000 mm
Maximum value of SAR (interpolated) = 6.74 W/kg

Pin=50mW/Zoom Scan (7x7x7)/Cube 0: Measurement grid: dx=4mm, dy=4mm, dz=1.4mm
Reference Value = 47.11 V/m; Power Drift = -0.06 dB
Peak SAR (extrapolated) = 9.13 W/kg
SAR(1 g) = 3.35 W/kg; SAR(10 g) = 1.17 W/kg
Maximum value of SAR (measured) = 6.83 W/kg



0 dB = 6.83 W/kg = 8.34 dBW/kg

System Check_Head_5250MHz

DUT: D5GHzV2 - SN:1113

Communication System: UID 0, CW (0); Frequency: 5250 MHz; Duty Cycle: 1:1

Medium: HSL_5000 Medium parameters used: $f = 5250$ MHz; $\sigma = 4.588$ S/m; $\epsilon_r = 36.225$; $\rho = 1000$ kg/m³

Ambient Temperature : 23.3 °C; Liquid Temperature : 22.8 °C

DASY5 Configuration:

- Probe: EX3DV4 - SN7630; ConvF(5.55, 5.55, 5.55); Calibrated: 2021.2.10
- Sensor-Surface: 1.4mm (Mechanical Surface Detection)
- Electronics: DAE4 Sn690; Calibrated: 2021.3.17
- Phantom: SAM Twin Phantom; Type: SAM Twin; Serial: TP-2022
- Measurement SW: DASY52, Version 52.10 (4); SEMCAD X Version 14.6.14 (7483)

Pin=50mW/Area Scan (91x91x1): Interpolated grid: dx=1.000 mm, dy=1.000 mm
Maximum value of SAR (interpolated) = 8.97 W/kg

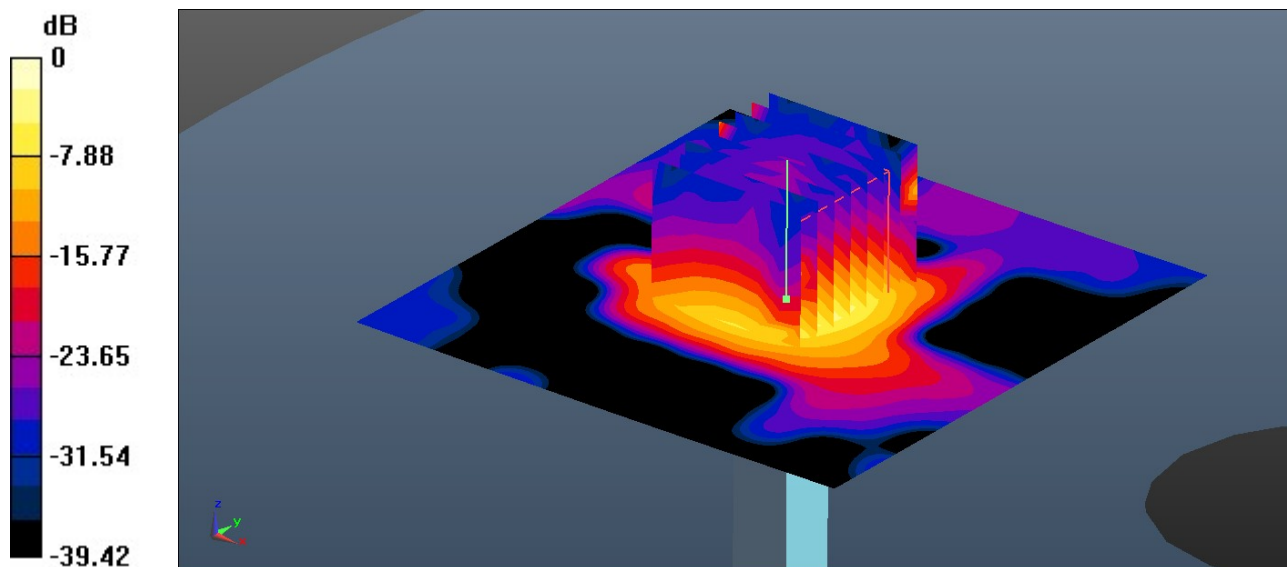
Zoom Scan (8x8x7)/Cube 0: Measurement grid: dx=4mm, dy=4mm, dz=1.4mm

Reference Value = 49.15 V/m; Power Drift = -0.05 dB

Peak SAR (extrapolated) = 15.0 W/kg

SAR(1 g) = 3.71 W/kg; SAR(10 g) = 1.12 W/kg

Maximum value of SAR (measured) = 9.38 W/kg



0 dB = 9.38 W/kg = 9.72 dBW/kg

System Check_Head_5750MHz

DUT: D5GHzV2 - SN:1113

Communication System: UID 0, CW (0); Frequency: 5750 MHz;Duty Cycle: 1:1
Medium: HSL_5000 Medium parameters used: $f = 5750$ MHz; $\sigma = 5.137$ S/m; $\epsilon_r = 35.509$; $\rho = 1000$ kg/m³

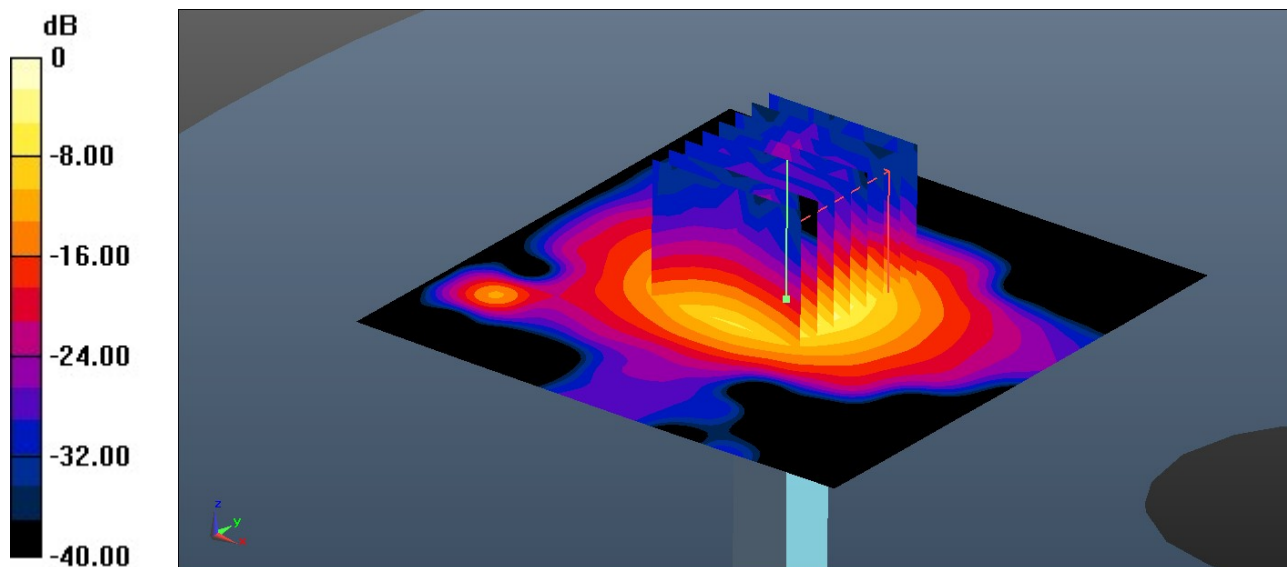
Ambient Temperature : 23.2 °C; Liquid Temperature : 22.8 °C

DASY5 Configuration:

- Probe: EX3DV4 - SN7630; ConvF(5.07, 5.07, 5.07); Calibrated: 2021.2.10
- Sensor-Surface: 1.4mm (Mechanical Surface Detection)
- Electronics: DAE4 Sn690; Calibrated: 2021.3.17
- Phantom: SAM Twin Phantom; Type: SAM Twin; Serial: TP-2022
- Measurement SW: DASY52, Version 52.10 (4); SEMCAD X Version 14.6.14 (7483)

Pin=50mW/Area Scan (91x91x1): Interpolated grid: dx=1.000 mm, dy=1.000 mm
Maximum value of SAR (interpolated) = 9.49 W/kg

Pin=50mW/Zoom Scan (8x8x7)/Cube 0: Measurement grid: dx=4mm, dy=4mm, dz=1.4mm
Reference Value = 49.35 V/m; Power Drift = -0.04 dB
Peak SAR (extrapolated) = 18.7 W/kg
SAR(1 g) = 3.88 W/kg; SAR(10 g) = 1.05 W/kg
Maximum value of SAR (measured) = 10.4 W/kg



0 dB = 10.4 W/kg = 10.17 dBW/kg

System Check_Head_835MHz

DUT: D835V2 - SN:4d258

Communication System: UID 0, CW (0); Frequency: 835 MHz; Duty Cycle: 1:1

Medium: HSL_835 Medium parameters used: $f = 835$ MHz; $\sigma = 0.936$ S/m; $\epsilon_r = 42.529$; $\rho = 1000$ kg/m³

Ambient Temperature : 23.2 °C; Liquid Temperature : 22.7 °C

DASY5 Configuration:

- Probe: EX3DV4 - SN7684; ConvF(10.5, 10.5, 10.5); Calibrated: 2021/10/4
- Sensor-Surface: 1.4mm (Mechanical Surface Detection)
- Electronics: DAE4 Sn1303; Calibrated: 2021/6/18
- Phantom: SAM Twin Phantom; Type: SAM Twin; Serial: TP-1697
- Measurement SW: DASY52, Version 52.10 (4); SEMCAD X Version 14.6.14 (7483)

Pin=50mW/Area Scan (61x61x1): Interpolated grid: dx=1.500 mm, dy=1.500 mm
Maximum value of SAR (interpolated) = 0.631 W/kg

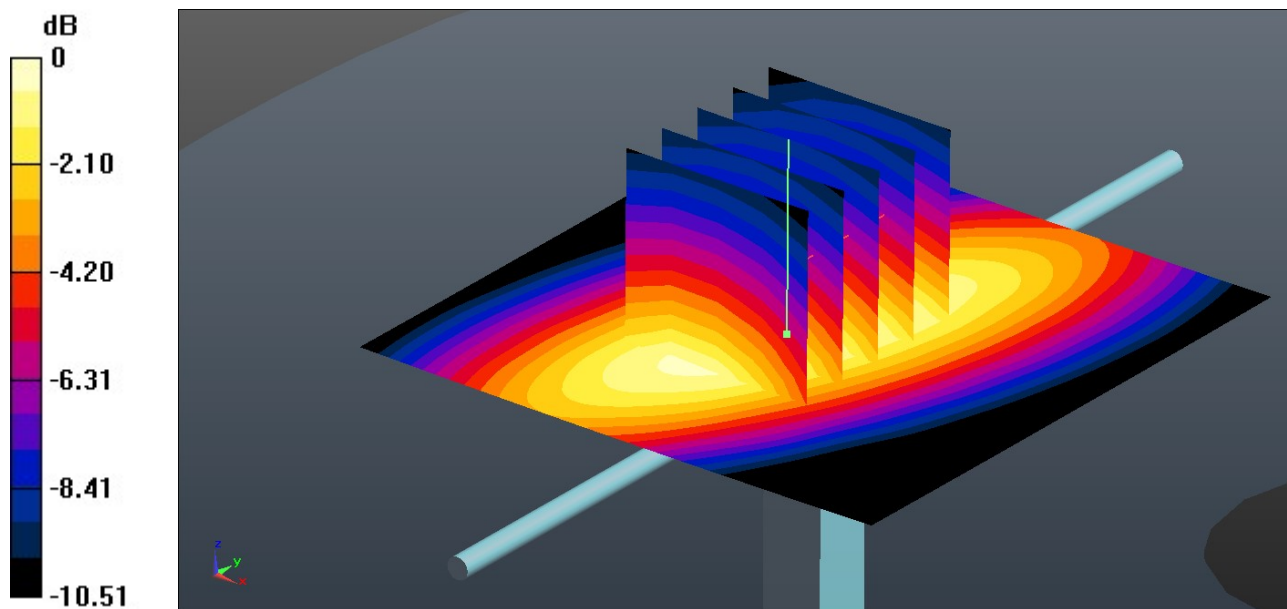
Pin=50mW/Zoom Scan (5x5x7)/Cube 0: Measurement grid: dx=8mm, dy=8mm, dz=5mm

Reference Value = 26.54 V/m; Power Drift = 0.01 dB

Peak SAR (extrapolated) = 0.806 W/kg

SAR(1 g) = 0.437 W/kg; SAR(10 g) = 0.283 W/kg

Maximum value of SAR (measured) = 0.629 W/kg



0 dB = 0.629 W/kg = -2.01 dBW/kg

System Check_Head_1900MHz

DUT: D1900V2 - SN:5d170

Communication System: UID 0, CW (0); Frequency: 1900 MHz; Duty Cycle: 1:1
Medium: HSL_1900 Medium parameters used: $f = 1900$ MHz; $\sigma = 1.427$ S/m; $\epsilon_r = 38.737$; $\rho = 1000$ kg/m³

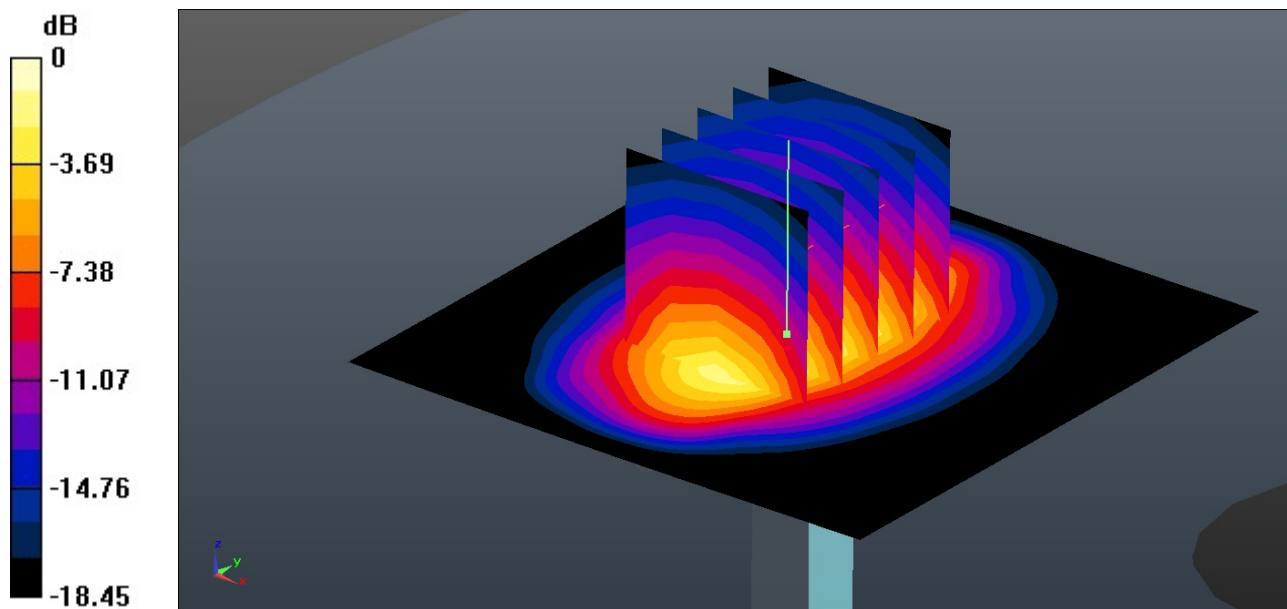
Ambient Temperature : 23.2 °C; Liquid Temperature : 22.7 °C

DASY5 Configuration:

- Probe: EX3DV4 - SN7684; ConvF(8.73, 8.73, 8.73); Calibrated: 2021/10/4
- Sensor-Surface: 1.4mm (Mechanical Surface Detection)
- Electronics: DAE4 Sn1303; Calibrated: 2021/6/18
- Phantom: SAM Twin Phantom; Type: SAM Twin; Serial: TP-1697
- Measurement SW: DASY52, Version 52.10 (4); SEMCAD X Version 14.6.14 (7483)

Pin=50mW/Area Scan (61x61x1): Interpolated grid: dx=1.500 mm, dy=1.500 mm
Maximum value of SAR (interpolated) = 3.24 W/kg

Pin=50mW/Zoom Scan (5x5x7)/Cube 0: Measurement grid: dx=8mm, dy=8mm, dz=5mm
Reference Value = 48.28 V/m; Power Drift = 0.14 dB
Peak SAR (extrapolated) = 4.07 W/kg
SAR(1 g) = 2.08 W/kg; SAR(10 g) = 1.07 W/kg
Maximum value of SAR (measured) = 3.34 W/kg



0 dB = 3.34 W/kg = 5.24 dBW/kg

System Check_Head_2450MHz

DUT: D2450V2 - SN:908

Communication System: UID 0, CW (0); Frequency: 2450 MHz;Duty Cycle: 1:1
Medium: HSL_2450 Medium parameters used: $f = 2450$ MHz; $\sigma = 1.81$ S/m; $\epsilon_r = 38.624$; $\rho = 1000$ kg/m³

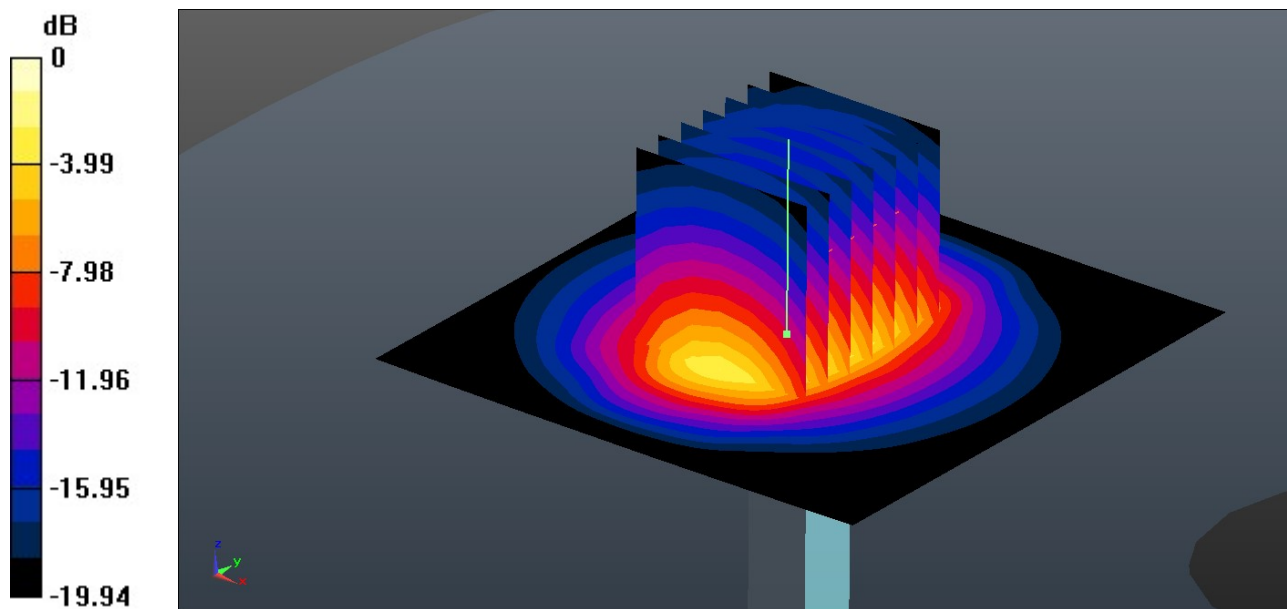
Ambient Temperature : 23.3 °C; Liquid Temperature : 22.6 °C

DASY5 Configuration:

- Probe: EX3DV4 - SN7684; ConvF(8.28, 8.28, 8.28); Calibrated: 2021/10/4
- Sensor-Surface: 1.4mm (Mechanical Surface Detection)
- Electronics: DAE4 Sn1303; Calibrated: 2021/6/18
- Phantom: SAM Twin Phantom; Type: SAM Twin; Serial: TP-1697
- Measurement SW: DASY52, Version 52.10 (4); SEMCAD X Version 14.6.14 (7483)

Pin=50mW/Area Scan (71x71x1): Interpolated grid: dx=1.200 mm, dy=1.200 mm
Maximum value of SAR (interpolated) = 3.56 W/kg

Pin=50mW/Zoom Scan (7x7x7)/Cube 0: Measurement grid: dx=5mm, dy=5mm, dz=5mm
Reference Value = 44.25 V/m; Power Drift = 0.08 dB
Peak SAR (extrapolated) = 5.32 W/kg
SAR(1 g) = 2.56 W/kg; SAR(10 g) = 1.19 W/kg
Maximum value of SAR (measured) = 3.37 W/kg



0 dB = 3.37 W/kg = 5.28 dBW/kg

System Check_Head_2600MHz

DUT: D2600V2 - SN:1061

Communication System: UID 0, CW (0); Frequency: 2600 MHz; Duty Cycle: 1:1
Medium: HSL_2600 Medium parameters used: $f = 2600$ MHz; $\sigma = 1.927$ S/m; $\epsilon_r = 38.324$; $\rho = 1000$ kg/m³

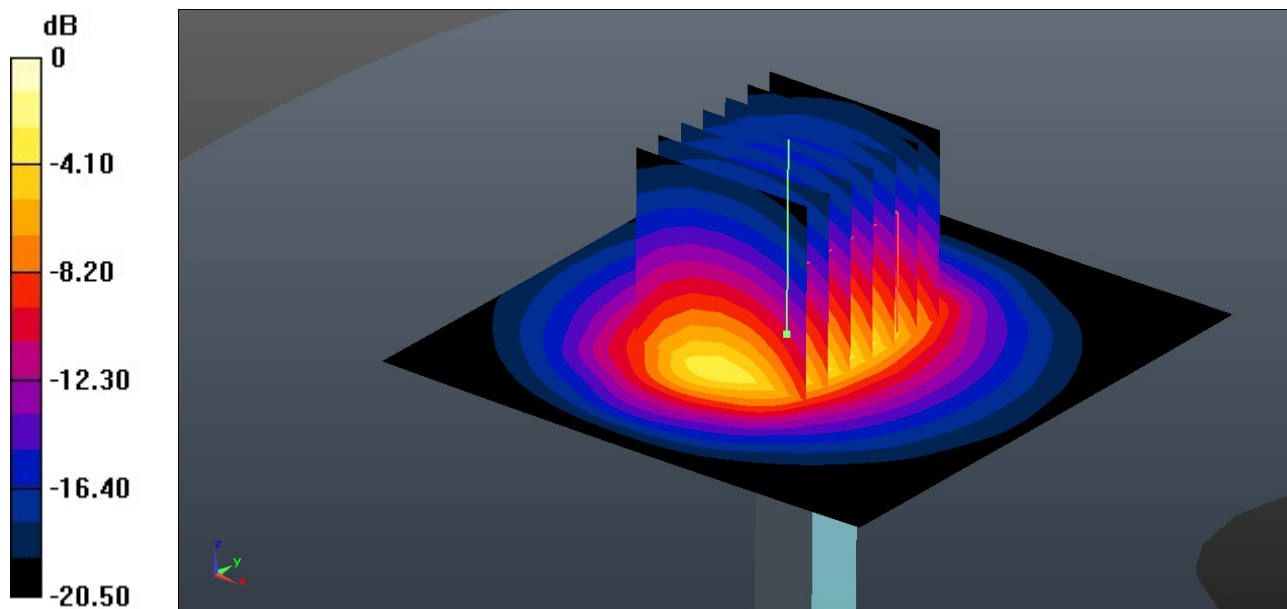
Ambient Temperature : 23.3 °C; Liquid Temperature : 22.6 °C

DASY5 Configuration:

- Probe: EX3DV4 - SN7684; ConvF(8.14, 8.14, 8.14); Calibrated: 2021/10/4
- Sensor-Surface: 1.4mm (Mechanical Surface Detection)
- Electronics: DAE4 Sn1303; Calibrated: 2021/6/18
- Phantom: SAM Twin Phantom; Type: SAM Twin; Serial: TP-1697
- Measurement SW: DASY52, Version 52.10 (4); SEMCAD X Version 14.6.14 (7483)

Pin=50mW/Area Scan (71x71x1): Interpolated grid: dx=1.200 mm, dy=1.200 mm
Maximum value of SAR (interpolated) = 3.65 W/kg

Pin=50mW/Zoom Scan (7x7x7)/Cube 0: Measurement grid: dx=5mm, dy=5mm, dz=5mm
Reference Value = 42.35 V/m; Power Drift = 0.05 dB
Peak SAR (extrapolated) = 5.63 W/kg
SAR(1 g) = 2.69 W/kg; SAR(10 g) = 1.17 W/kg
Maximum value of SAR (measured) = 3.45 W/kg



0 dB = 3.45 W/kg = 5.38 dBW/kg

System Check_Head_3500MHz

DUT: D3500V2 - SN:1037

Communication System: UID 0, CW (0); Frequency: 3500 MHz; Duty Cycle: 1:1
Medium: HSL_3500 Medium parameters used: $f = 3500$ MHz; $\sigma = 2.787$ S/m; $\epsilon_r = 39.101$; $\rho = 1000$ kg/m³

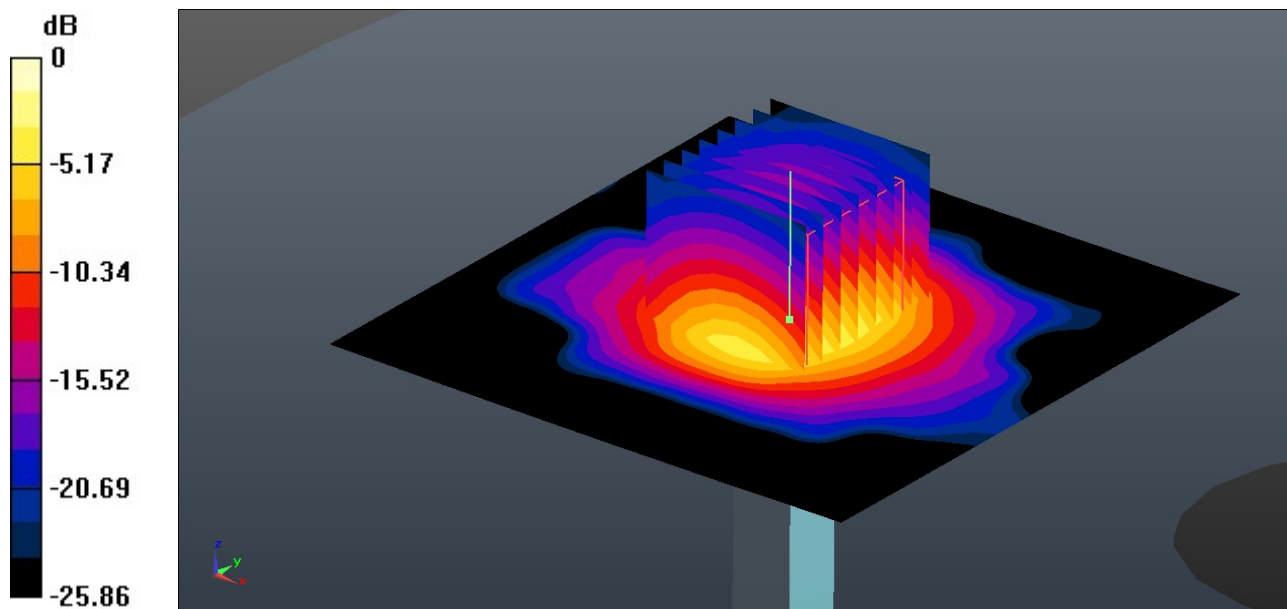
Ambient Temperature : 23.4 °C; Liquid Temperature : 22.7 °C

DASY5 Configuration:

- Probe: EX3DV4 - SN7684; ConvF(7.37, 7.37, 7.37); Calibrated: 2021/10/4
- Sensor-Surface: 1.4mm (Mechanical Surface Detection)
- Electronics: DAE4 Sn1303; Calibrated: 2021/6/18
- Phantom: SAM Twin Phantom; Type: SAM Twin; Serial: TP-1697
- Measurement SW: DASY52, Version 52.10 (4); SEMCAD X Version 14.6.14 (7483)

Pin=50mW/Area Scan (91x91x1): Interpolated grid: dx=1.000 mm, dy=1.000 mm
Maximum value of SAR (interpolated) = 6.10 W/kg

Pin=50mW/Zoom Scan (8x8x7)/Cube 0: Measurement grid: dx=4mm, dy=4mm, dz=1.4mm
Reference Value = 50.37 V/m; Power Drift = -0.01 dB
Peak SAR (extrapolated) = 8.02 W/kg
SAR(1 g) = 3.24 W/kg; SAR(10 g) = 1.25 W/kg
Maximum value of SAR (measured) = 6.14 W/kg



0 dB = 6.14 W/kg = 7.88 dBW/kg

System Check_Head_3700MHz

DUT: D3700V2 - SN:1008

Communication System: UID 0, CW (0); Frequency: 3700 MHz; Duty Cycle: 1:1

Medium: HSL_3700 Medium parameters used: $f = 3700$ MHz; $\sigma = 3.043$ S/m; $\epsilon_r = 38.218$; $\rho = 1000$ kg/m³

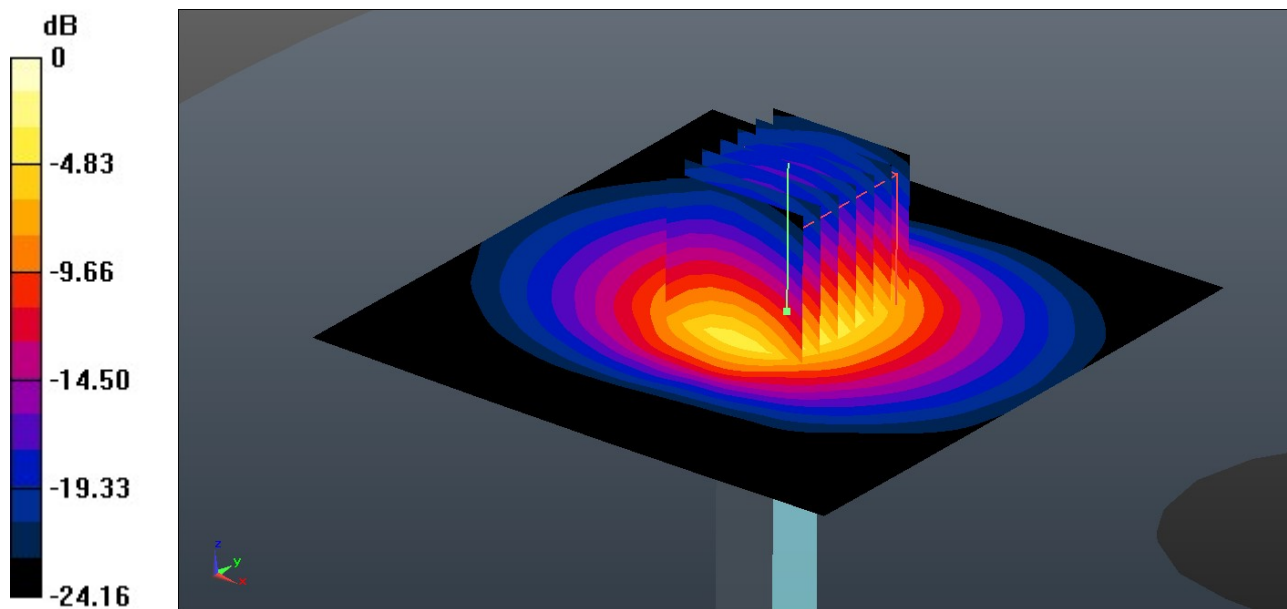
Ambient Temperature : 23.4 °C; Liquid Temperature : 22.7 °C

DASY5 Configuration:

- Probe: EX3DV4 - SN7684; ConvF(7.27, 7.27, 7.27); Calibrated: 2021/10/4
- Sensor-Surface: 1.4mm (Mechanical Surface Detection)
- Electronics: DAE4 Sn1303; Calibrated: 2021/6/18
- Phantom: SAM Twin Phantom; Type: SAM Twin; Serial: TP-1697
- Measurement SW: DASY52, Version 52.10 (4); SEMCAD X Version 14.6.14 (7483)

Pin=50mW/Area Scan (91x91x1): Interpolated grid: dx=1.000 mm, dy=1.000 mm
Maximum value of SAR (interpolated) = 6.07 W/kg

Pin=50mW/Zoom Scan (7x7x7)/Cube 0: Measurement grid: dx=4mm, dy=4mm, dz=1.4mm
Reference Value = 47.22 V/m; Power Drift = -0.02 dB
Peak SAR (extrapolated) = 8.32 W/kg
SAR(1 g) = 3.14 W/kg; SAR(10 g) = 1.18 W/kg
Maximum value of SAR (measured) = 6.07 W/kg



0 dB = 6.07 W/kg = 7.83 dBW/kg

System Check_Head_3900MHz

DUT: D3900V2 - SN:1048

Communication System: UID 0, CW (0); Frequency: 3900 MHz; Duty Cycle: 1:1

Medium: HSL_3900 Medium parameters used: $f = 3900$ MHz; $\sigma = 3.246$ S/m; $\epsilon_r = 37.814$; $\rho = 1000$ kg/m³

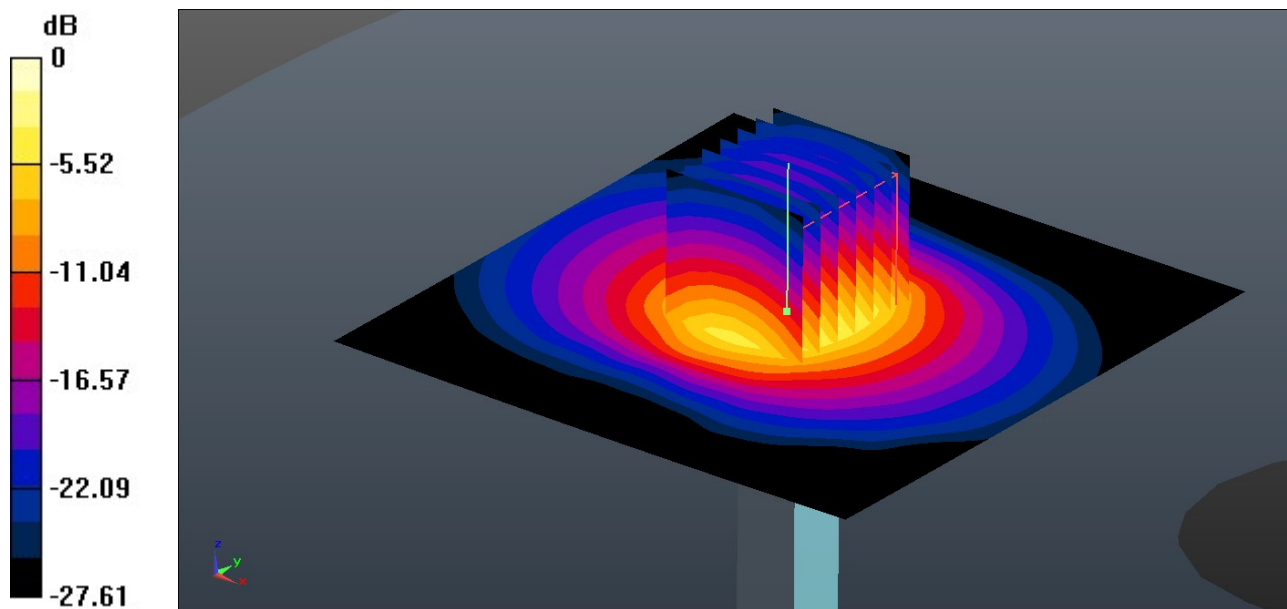
Ambient Temperature : 23.4 °C; Liquid Temperature : 22.7 °C

DASY5 Configuration:

- Probe: EX3DV4 - SN7684; ConvF(6.83, 6.83, 6.83); Calibrated: 2021/10/4
- Sensor-Surface: 1.4mm (Mechanical Surface Detection)
- Electronics: DAE4 Sn1303; Calibrated: 2021/6/18
- Phantom: SAM Twin Phantom; Type: SAM Twin; Serial: TP-1697
- Measurement SW: DASY52, Version 52.10 (4); SEMCAD X Version 14.6.14 (7483)

Pin=50mW/Area Scan (91x91x1): Interpolated grid: dx=1.000 mm, dy=1.000 mm
Maximum value of SAR (interpolated) = 6.43 W/kg

Pin=50mW/Zoom Scan (7x7x7)/Cube 0: Measurement grid: dx=4mm, dy=4mm, dz=1.4mm
Reference Value = 47.36 V/m; Power Drift = 0.16 dB
Peak SAR (extrapolated) = 8.84 W/kg
SAR(1 g) = 3.24 W/kg; SAR(10 g) = 1.15 W/kg
Maximum value of SAR (measured) = 6.58 W/kg



0 dB = 6.58 W/kg = 8.18 dBW/kg

System Check_Head_5250MHz

DUT: D5GHzV2 - SN:1113

Communication System: UID 0, CW (0); Frequency: 5250 MHz; Duty Cycle: 1:1
Medium: HSL_5000 Medium parameters used: $f = 5250$ MHz; $\sigma = 4.601$ S/m; $\epsilon_r = 36.253$; $\rho = 1000$ kg/m³

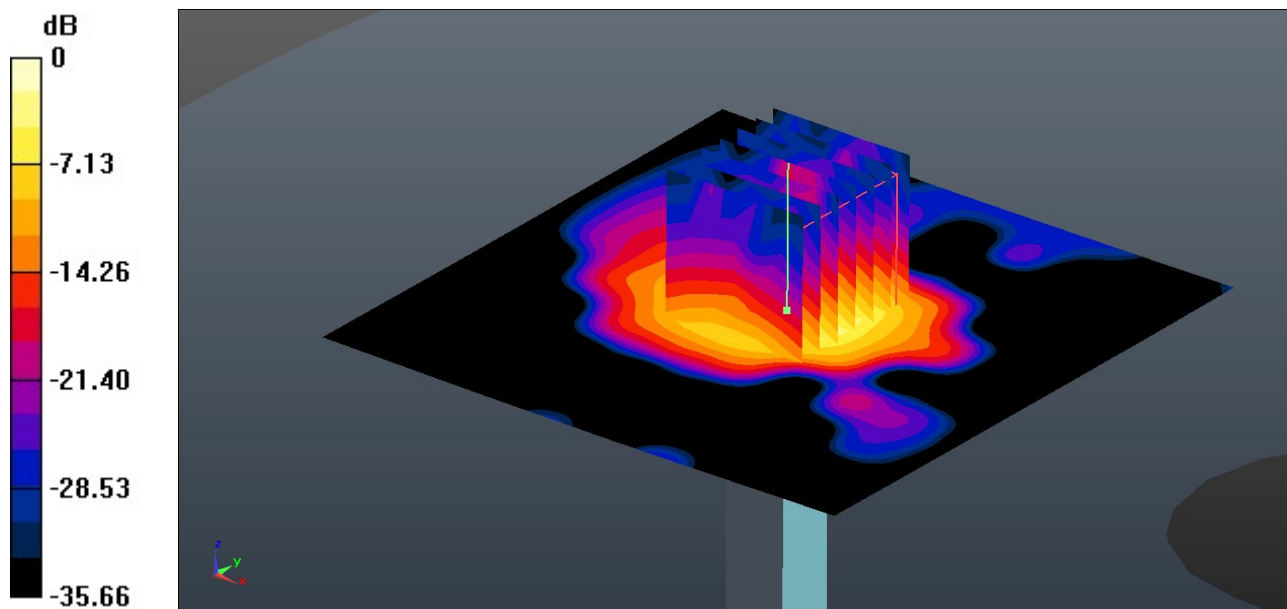
Ambient Temperature : 23.3 °C; Liquid Temperature : 22.9 °C

DASY5 Configuration:

- Probe: EX3DV4 - SN7684; ConvF(5.85, 5.85, 5.85); Calibrated: 2021/10/4
- Sensor-Surface: 1.4mm (Mechanical Surface Detection)
- Electronics: DAE4 Sn1303; Calibrated: 2021/6/18
- Phantom: SAM Twin Phantom; Type: SAM Twin; Serial: TP-1697
- Measurement SW: DASY52, Version 52.10 (4); SEMCAD X Version 14.6.14 (7483)

Pin=50mW/Area Scan (91x91x1): Interpolated grid: dx=1.000 mm, dy=1.000 mm
Maximum value of SAR (interpolated) = 9.96 W/kg

Pin=50mW/Zoom Scan (7x7x7)/Cube 0: Measurement grid: dx=4mm, dy=4mm, dz=1.4mm
Reference Value = 51.03 V/m; Power Drift = -0.14 dB
Peak SAR (extrapolated) = 16.4 W/kg
SAR(1 g) = 4.13 W/kg; SAR(10 g) = 1.16 W/kg
Maximum value of SAR (measured) = 10.2 W/kg



0 dB = 10.2 W/kg = 10.09 dBW/kg

System Check_Head_5600MHz

DUT: D5GHzV2 - SN:1113

Communication System: UID 0, CW (0); Frequency: 5600 MHz; Duty Cycle: 1:1

Medium: HSL_5000 Medium parameters used: $f = 5600$ MHz; $\sigma = 4.978$ S/m; $\epsilon_r = 35.704$; $\rho = 1000$ kg/m³

Ambient Temperature : 23.3 °C; Liquid Temperature : 22.9 °C

DASY5 Configuration:

- Probe: EX3DV4 - SN7684; ConvF(5.05, 5.05, 5.05); Calibrated: 2021/10/4
- Sensor-Surface: 1.4mm (Mechanical Surface Detection)
- Electronics: DAE4 Sn1303; Calibrated: 2021/6/18
- Phantom: SAM Twin Phantom; Type: SAM Twin; Serial: TP-1697
- Measurement SW: DASY52, Version 52.10 (4); SEMCAD X Version 14.6.14 (7483)

Pin=50mW/Area Scan (91x91x1): Interpolated grid: dx=1.000 mm, dy=1.000 mm
Maximum value of SAR (interpolated) = 10.2 W/kg

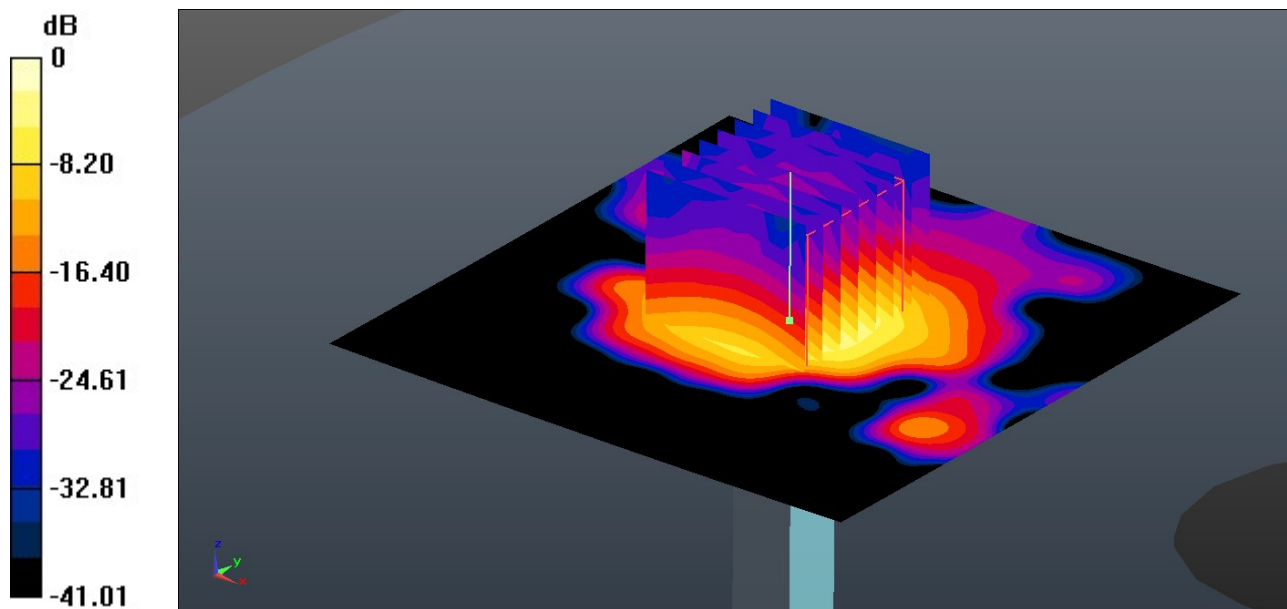
Pin=50mW/Zoom Scan (8x8x7)/Cube 0: Measurement grid: dx=4mm, dy=4mm, dz=1.4mm

Reference Value = 48.97 V/m; Power Drift = -0.18 dB

Peak SAR (extrapolated) = 18.1 W/kg

SAR(1 g) = 4.04 W/kg; SAR(10 g) = 1.19 W/kg

Maximum value of SAR (measured) = 10.2 W/kg



0 dB = 10.2 W/kg = 10.09 dBW/kg



Appendix B. Plots of High SAR Measurement

The plots are shown as follows.

01_LTE Band 12_10M_QPSK_1RB_0Offset_Left Cheek_0mm_Ch23095

Communication System: UID 0, LTE-FDD (0); Frequency: 707.5 MHz; Duty Cycle: 1:1
Medium: HSL_750 Medium parameters used: $f = 707.5$ MHz; $\sigma = 0.9$ S/m; $\epsilon_r = 43.526$; $\rho = 1000$ kg/m³

Ambient Temperature : 23.1 °C; Liquid Temperature : 22.7 °C

DASY5 Configuration:

- Probe: EX3DV4 - SN7630; ConvF(10.38, 10.38, 10.38); Calibrated: 2021.2.10
- Sensor-Surface: 1.4mm (Mechanical Surface Detection)
- Electronics: DAE4 Sn690; Calibrated: 2021.3.17
- Phantom: SAM Twin Phantom; Type: SAM Twin; Serial: TP-2022
- Measurement SW: DASY52, Version 52.10 (4); SEMCAD X Version 14.6.14 (7483)

Area Scan (81x101x1): Interpolated grid: dx=1.500 mm, dy=1.500 mm

Maximum value of SAR (interpolated) = 1.14 W/kg

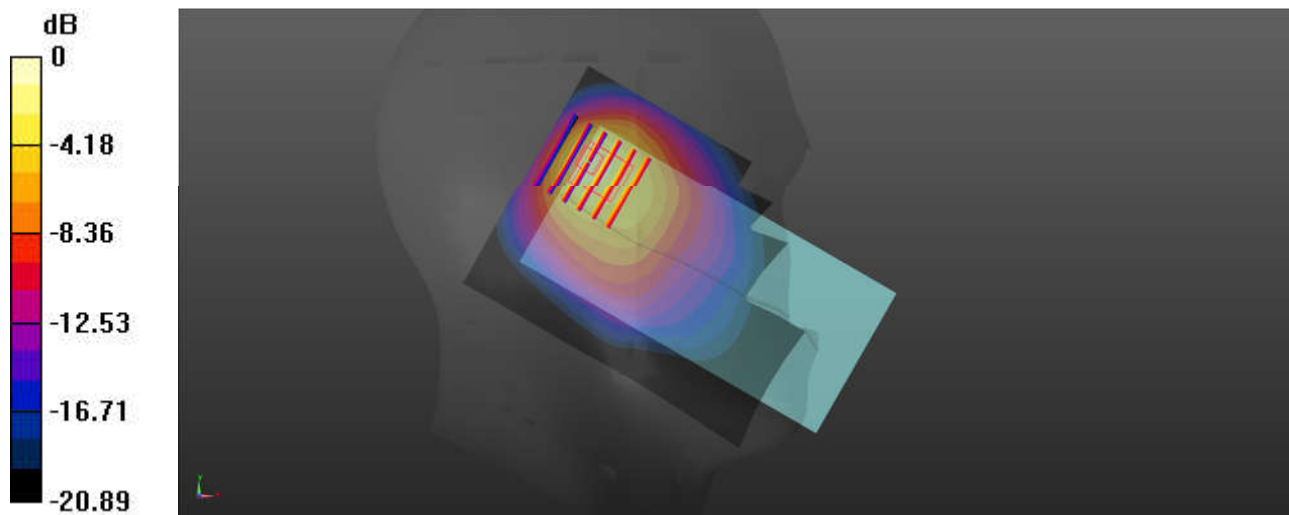
Zoom Scan (6x6x7)/Cube 0: Measurement grid: dx=8mm, dy=8mm, dz=5mm

Reference Value = 31.69 V/m; Power Drift = 0.13 dB

Peak SAR (extrapolated) = 2.06 W/kg

SAR(1 g) = 0.734 W/kg; SAR(10 g) = 0.438 W/kg

Maximum value of SAR (measured) = 1.49 W/kg



0 dB = 1.49 W/kg = 1.73 dBW/kg

02_LTE Band 13_10M_QPSK_1RB_0Offset_Left Cheek_0mm_Ch23230

Communication System: UID 0, LTE-FDD (0); Frequency: 782 MHz;Duty Cycle: 1:1
Medium: HSL_750 Medium parameters used: $f = 782 \text{ MHz}$; $\sigma = 0.926 \text{ S/m}$; $\epsilon_r = 43.342$; $\rho = 1000 \text{ kg/m}^3$

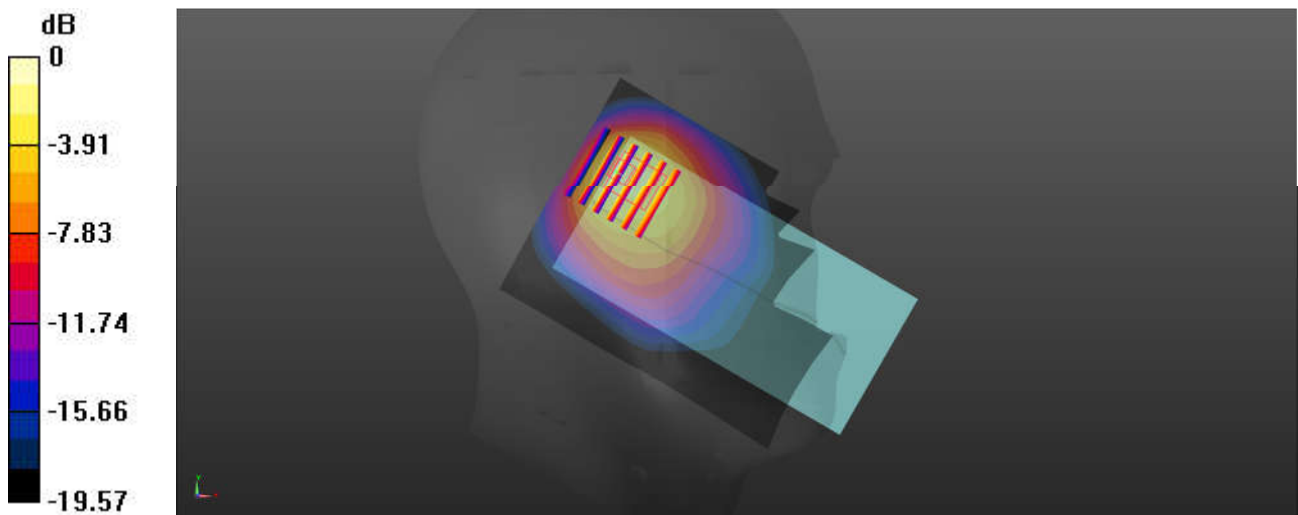
Ambient Temperature : 23.1 °C; Liquid Temperature : 22.7 °C

DASY5 Configuration:

- Probe: EX3DV4 - SN7630; ConvF(10.38, 10.38, 10.38); Calibrated: 2021.2.10
- Sensor-Surface: 1.4mm (Mechanical Surface Detection)
- Electronics: DAE4 Sn690; Calibrated: 2021.3.17
- Phantom: SAM Twin Phantom; Type: SAM Twin; Serial: TP-2022
- Measurement SW: DASY52, Version 52.10 (4); SEMCAD X Version 14.6.14 (7483)

Area Scan (81x101x1): Interpolated grid: $dx=1.500 \text{ mm}$, $dy=1.500 \text{ mm}$
Maximum value of SAR (interpolated) = 1.22 W/kg

Zoom Scan (6x6x7)/Cube 0: Measurement grid: $dx=8\text{mm}$, $dy=8\text{mm}$, $dz=5\text{mm}$
Reference Value = 34.82 V/m; Power Drift = -0.09 dB
Peak SAR (extrapolated) = 2.15 W/kg
SAR(1 g) = 0.737 W/kg; SAR(10 g) = 0.396 W/kg
Maximum value of SAR (measured) = 1.56 W/kg



0 dB = 1.56 W/kg = 1.93 dBW/kg

03_GSM 850_GPRS (4 Tx slots)_Left Cheek_0mm_Ch189

Communication System: UID 0, GSM850 (0); Frequency: 836.4 MHz; Duty Cycle: 1:2.08
Medium: HSL_835 Medium parameters used: $f = 836.4$ MHz; $\sigma = 0.934$ S/m; $\epsilon_r = 41.17$; $\rho = 1000$ kg/m³

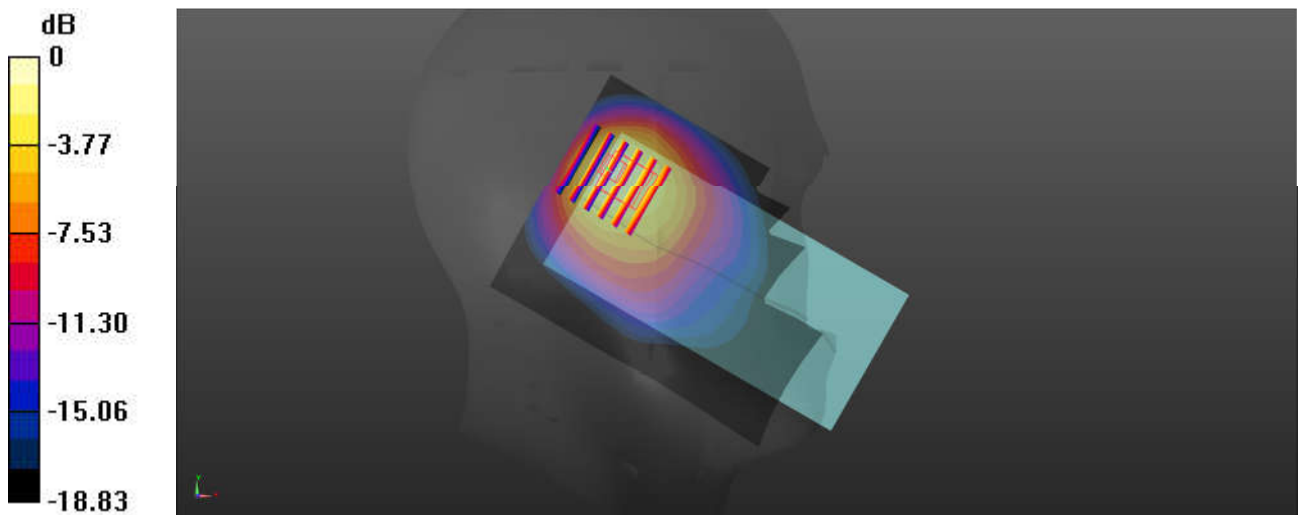
Ambient Temperature : 23.3 °C; Liquid Temperature : 22.8 °C

DASY5 Configuration:

- Probe: EX3DV4 - SN7630; ConvF(10.24, 10.24, 10.24); Calibrated: 2021.2.10
- Sensor-Surface: 1.4mm (Mechanical Surface Detection)
- Electronics: DAE4 Sn690; Calibrated: 2021.3.17
- Phantom: SAM Twin Phantom; Type: SAM Twin; Serial: TP-2022
- Measurement SW: DASY52, Version 52.10 (4); SEMCAD X Version 14.6.14 (7483)

Area Scan (81x101x1): Interpolated grid: dx=1.500 mm, dy=1.500 mm
Maximum value of SAR (interpolated) = 1.49 W/kg

Zoom Scan (6x6x7)/Cube 0: Measurement grid: dx=8mm, dy=8mm, dz=5mm
Reference Value = 36.41 V/m; Power Drift = -0.01 dB
Peak SAR (extrapolated) = 2.20 W/kg
SAR(1 g) = 0.940 W/kg; SAR(10 g) = 0.582 W/kg
Maximum value of SAR (measured) = 1.64 W/kg



0 dB = 1.64 W/kg = 2.15 dBW/kg

04_WCDMA V_RMC 12.2Kbps_Left Cheek_0mm_Ch4182

Communication System: UID 0, WCDMA (0); Frequency: 836.4 MHz; Duty Cycle: 1:1
Medium: HSL_835 Medium parameters used: $f = 836.4$ MHz; $\sigma = 0.934$ S/m; $\epsilon_r = 41.17$; $\rho = 1000$ kg/m³

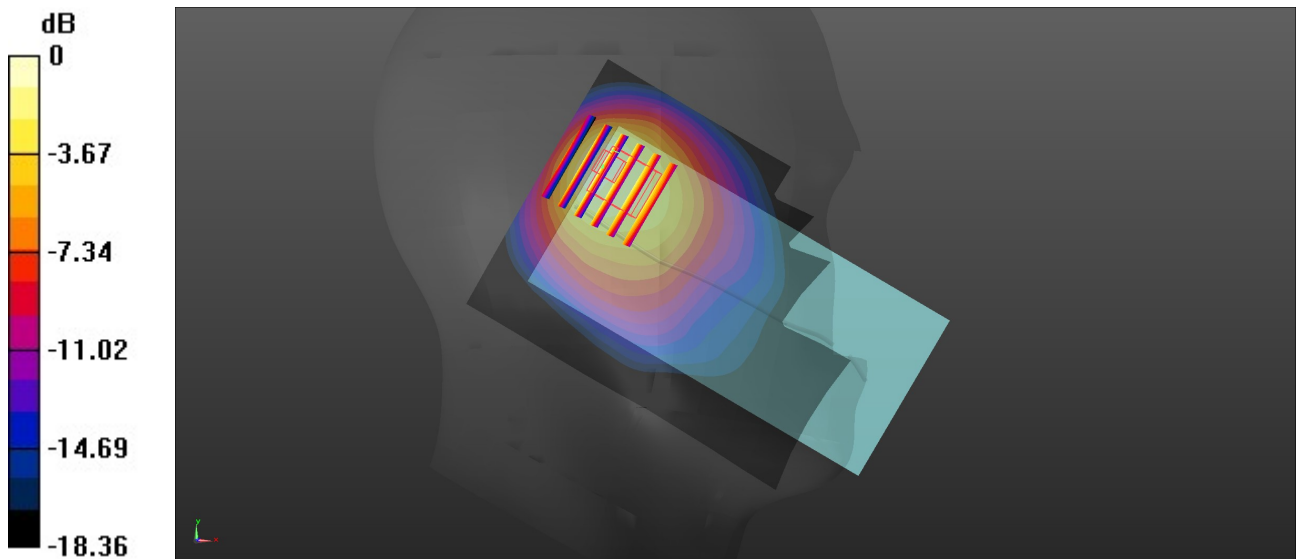
Ambient Temperature : 23.3 °C; Liquid Temperature : 22.8 °C

DASY5 Configuration:

- Probe: EX3DV4 - SN7630; ConvF(10.24, 10.24, 10.24); Calibrated: 2021.2.10
- Sensor-Surface: 1.4mm (Mechanical Surface Detection)
- Electronics: DAE4 Sn690; Calibrated: 2021.3.17
- Phantom: SAM Twin Phantom; Type: SAM Twin; Serial: TP-2022
- Measurement SW: DASY52, Version 52.10 (4); SEMCAD X Version 14.6.14 (7483)

Area Scan (81x101x1): Interpolated grid: dx=1.500 mm, dy=1.500 mm
Maximum value of SAR (interpolated) = 1.81 W/kg

Zoom Scan (6x6x7)/Cube 0: Measurement grid: dx=8mm, dy=8mm, dz=5mm
Reference Value = 40.31 V/m; Power Drift = 0.05 dB
Peak SAR (extrapolated) = 2.54 W/kg
SAR(1 g) = 0.983 W/kg; SAR(10 g) = 0.662 W/kg
Maximum value of SAR (measured) = 1.83 W/kg



0 dB = 1.83 W/kg = 2.62 dBW/kg