

HAC_E_Dipole_835

DUT: HAC-Dipole 835 MHz

Communication System: UID 0, CW; Frequency: 835 MHz; Duty Cycle: 1:1

Medium: Air Medium parameters used: $\sigma = 0$ S/m, $\epsilon_r = 1$; $\rho = 0$ kg/m³

Ambient Temperature : 23.4 °C

DASY5 Configuration:

- Probe: EF3DV3 - SN4053; ConvF(1, 1, 1); Calibrated: 2021/4/29
- Sensor-Surface: (Fix Surface)
- Electronics: DAE4 Sn1210; Calibrated: 2021/8/25
- Phantom: HAC Test Arch with AMCC; Type: SD HAC P01 BA;
- Measurement SW: DASY52, Version 52.10 (3); SEMCAD X Version 14.6.13 (7474)

E Scan - measurement distance from the probe sensor center to CD835 = 15mm/Hearing Aid Compatibility Test at 15mm distance (41x361x1): Interpolated grid:

dx=0.5000 mm, dy=0.5000 mm

Device Reference Point: 0, 0, -6.3 mm

Reference Value = 125.4 V/m; Power Drift = 0.01 dB

PMR not calibrated. PMF = 1.000 is applied.

E-field emissions = 118.6 V/m

Average value of Total=(118.6+112.2)/2=115.4 V/m

PMF scaled E-field

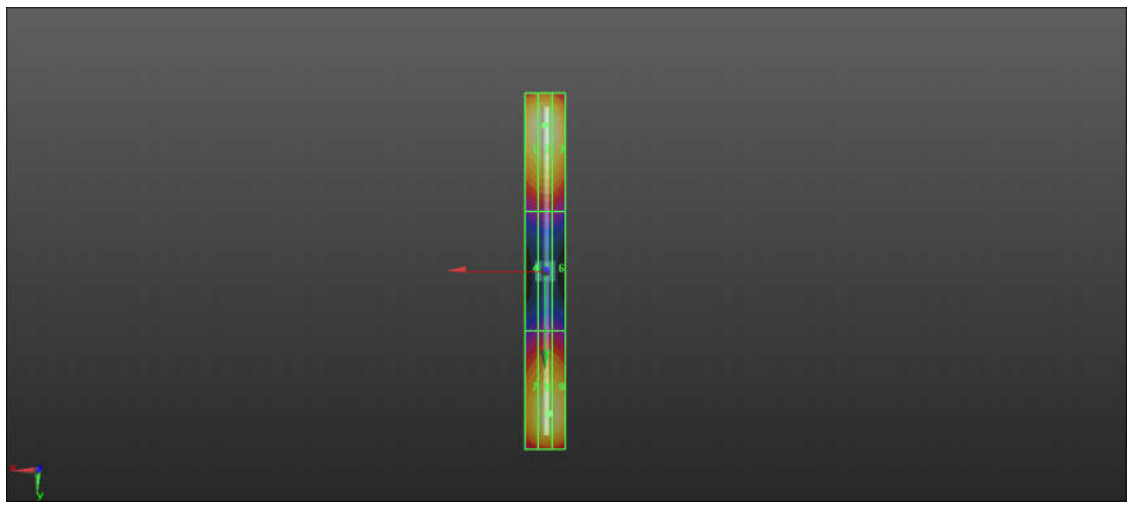
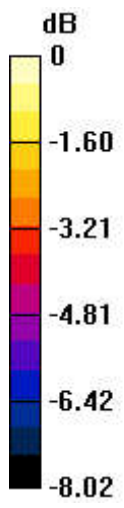
Grid 1 M4 116.3 V/m	Grid 2 M4 118.6 V/m	Grid 3 M4 116.0 V/m
Grid 4 M4 69.17 V/m	Grid 5 M4 70.36 V/m	Grid 6 M4 69.86 V/m
Grid 7 M4 106.0 V/m	Grid 8 M4 112.2 V/m	Grid 9 M4 111.7 V/m

Cursor:

Total = 118.6 V/m

E Category: M4

Location: 0, -73.5, 8.7 mm



0 dB = 118.6 V/m = 41.50 dBV/m

HAC_E_Dipole_1880

DUT: HAC Dipole 1880 MHz

Communication System: UID 0, CW; Frequency: 1880 MHz; Duty Cycle: 1:1

Medium: Air Medium parameters used: $\sigma = 0$ S/m, $\epsilon_r = 1$; $\rho = 0$ kg/m³

Ambient Temperature : 23.4 °C

DASY5 Configuration:

- Probe: EF3DV3 - SN4053; ConvF(1, 1, 1); Calibrated: 2021/4/29
- Sensor-Surface: (Fix Surface)
- Electronics: DAE4 Sn1210; Calibrated: 2021/8/25
- Phantom: HAC Test Arch with AMCC; Type: SD HAC P01 BA;
- Measurement SW: DASY52, Version 52.10 (3); SEMCAD X Version 14.6.13 (7474)

E Scan - measurement distance from the probe sensor center to CD1880 = 15mm/Hearing Aid Compatibility Test at 15mm distance (41x181x1): Interpolated grid:

dx=0.5000 mm, dy=0.5000 mm

Device Reference Point: 0, 0, -6.3 mm

Reference Value = 143.1 V/m; Power Drift = 0.04 dB

PMR not calibrated. PMF = 1.000 is applied.

E-field emissions = 97.62 V/m

Average value of Total=(97.62+92.26)/2=94.94 V/m

PMF scaled E-field

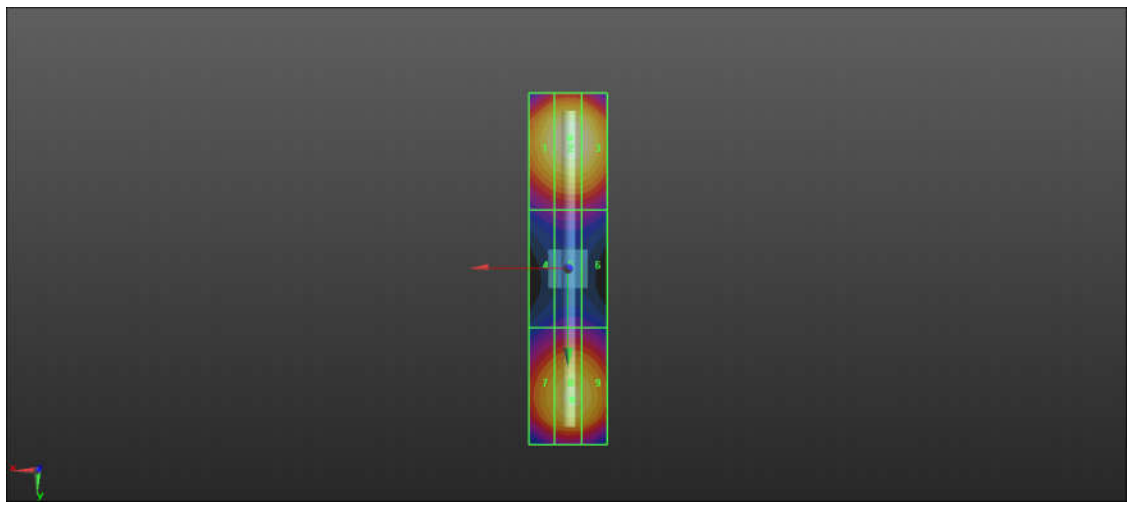
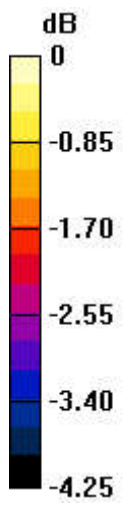
Grid 1 M3 94.62 V/m	Grid 2 M3 97.62 V/m	Grid 3 M3 96.60 V/m
Grid 4 M3 72.90 V/m	Grid 5 M3 74.06 V/m	Grid 6 M3 73.76 V/m
Grid 7 M3 89.19 V/m	Grid 8 M3 92.26 V/m	Grid 9 M3 91.69 V/m

Cursor:

Total = 97.62 V/m

E Category: M3

Location: -0.5, -33.5, 8.7 mm



0 dB = 97.62 V/m = 39.80 dBV/m

HAC_E_Dipole_2450

DUT: HAC-Dipole 2450 MHz

Communication System: UID 0, CW; Frequency: 2450 MHz; Duty Cycle: 1:1

Medium: Air Medium parameters used: $\sigma = 0$ S/m, $\epsilon_r = 1$; $\rho = 0$ kg/m³

Ambient Temperature : 23.4 °C

DASY5 Configuration:

- Probe: EF3DV3 - SN4053; ConvF(1, 1, 1); Calibrated: 2021/4/29
- Sensor-Surface: (Fix Surface)
- Electronics: DAE4 Sn1210; Calibrated: 2021/8/25
- Phantom: HAC Test Arch with AMCC; Type: SD HAC P01 BA;
- Measurement SW: DASY52, Version 52.10 (3); SEMCAD X Version 14.6.13 (7474)

E Scan - measurement distance from the probe sensor center to CD2450 = 15mm/Hearing Aid Compatibility Test at 15mm distance (41x181x1): Interpolated grid:

dx=0.5000 mm, dy=0.5000 mm

Device Reference Point: 0, 0, -6.3 mm

Reference Value = 73.61 V/m; Power Drift = -0.04 dB

PMR not calibrated. PMF = 1.000 is applied.

E-field emissions = 92.08 V/m

Average value of Total=(92.08+88.86)/2=90.47 V/m

PMF scaled E-field

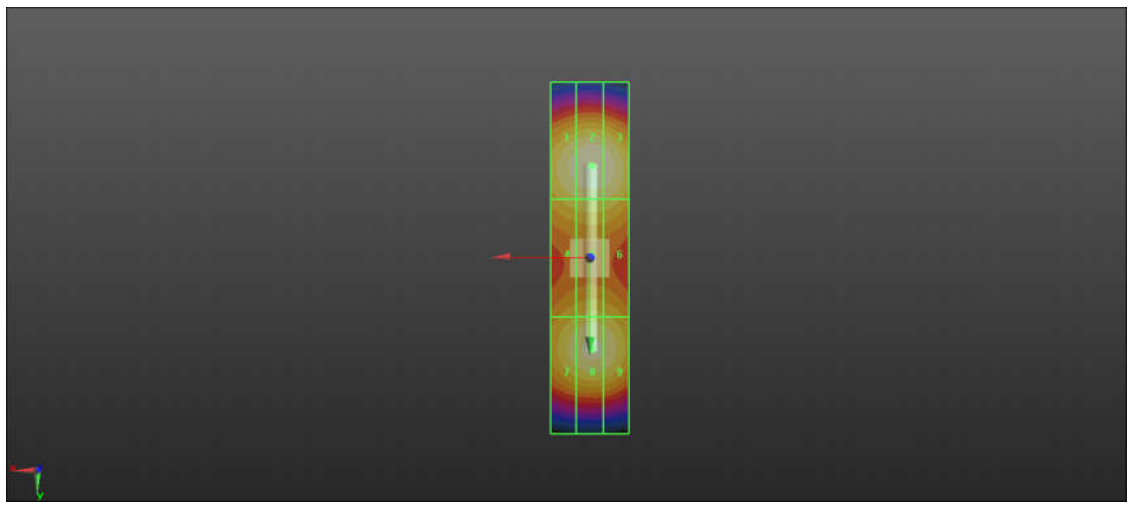
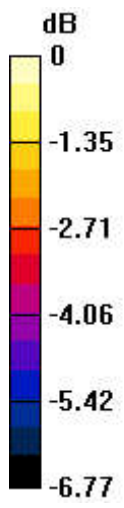
Grid 1 M3 89.48 V/m	Grid 2 M3 92.08 V/m	Grid 3 M3 90.92 V/m
Grid 4 M3 82.39 V/m	Grid 5 M3 83.73 V/m	Grid 6 M3 83.19 V/m
Grid 7 M3 85.67 V/m	Grid 8 M3 88.86 V/m	Grid 9 M3 87.32 V/m

Cursor:

Total = 92.08 V/m

E Category: M3

Location: -0.5, -23.5, 8.7 mm



0 dB = 92.08 V/m = 39.27 dBV/m

HAC_E_Dipole_3500

DUT: HAC Dipole 3500 MHz

Communication System: UID 0, CW (0); Frequency: 3500 MHz; Duty Cycle: 1:1

Medium: Air Medium parameters used: $\sigma = 0$ S/m, $\epsilon_r = 1$; $\rho = 0$ kg/m³

Ambient Temperature : 23.4 °C

DASY5 Configuration:

- Probe: EF3DV3 - SN4053; ConvF(1, 1, 1); Calibrated: 2021/4/29
- Sensor-Surface: (Fix Surface)
- Electronics: DAE4 Sn1210; Calibrated: 2021/8/25
- Phantom: HAC Test Arch with AMCC; Type: SD HAC P01 BA;
- Measurement SW: DASY52, Version 52.10 (3); SEMCAD X Version 14.6.13 (7474)

E Scan - measurement distance from the probe sensor center to CD3500 = 15mm/Hearing Aid Compatibility Test at 15mm distance (41x121x1): Interpolated grid:

dx=0.5000 mm, dy=0.5000 mm

Device Reference Point: 0, 0, -6.3 mm

Reference Value = 38.74 V/m; Power Drift = 0.02 dB

PMR not calibrated. PMF = 1.000 is applied.

E-field emissions = 88.74 V/m

Average value of Total=(88.74+88.22)/2 = 88.48 V/m

PMF scaled E-field

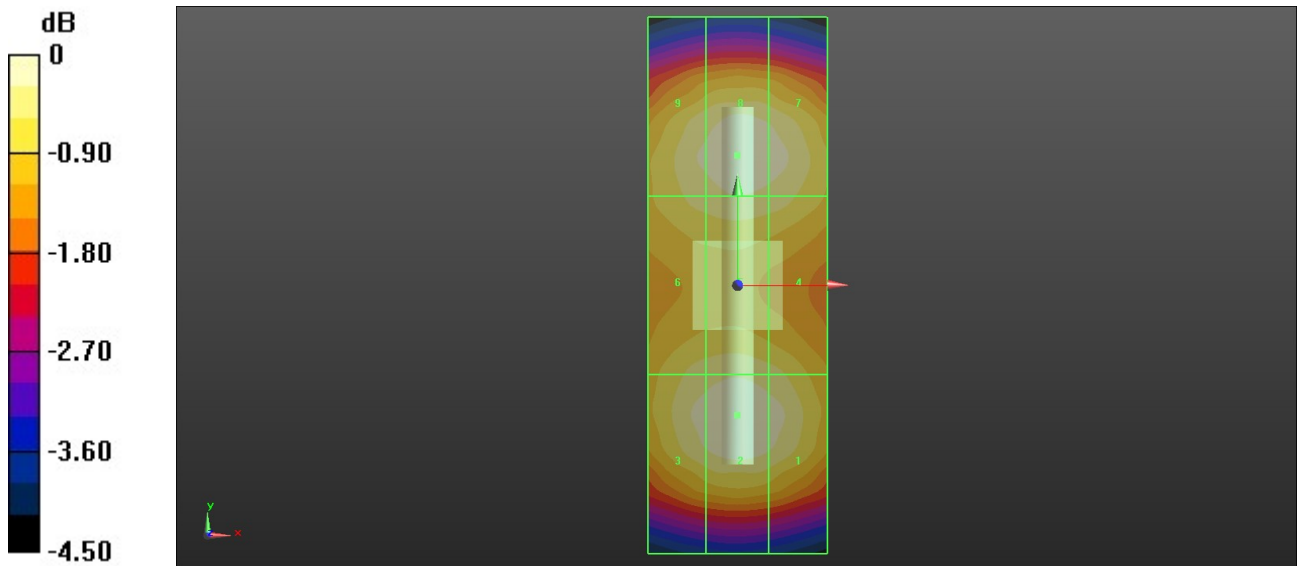
Grid 1 M3 87.58 V/m	Grid 2 M3 88.74 V/m	Grid 3 M3 87.43 V/m
Grid 4 M3 85.08 V/m	Grid 5 M3 85.99 V/m	Grid 6 M3 84.92 V/m
Grid 7 M3 87.52 V/m	Grid 8 M3 88.22 V/m	Grid 9 M3 86.42 V/m

Cursor:

Total = 88.74 V/m

E Category: M3

Location: 0, -14.5, 9.7 mm



0 dB = 88.74 V/m = 39.08 dBV/m