



FCC Part 96.47 TEST REPORT

FCC ID : IHDT56AA4
Equipment : Mobile Cellular Phone
Brand Name : Motorola
Model Name : XT2215-2/XT2215-3/XT2215-4/XT2215DL
Applicant : Motorola Mobility LLC
222 W,Merchandise Mart Plaza, Chicago IL 60654 USA
Manufacturer : Motorola Mobility LLC
222 W,Merchandise Mart Plaza, Chicago IL 60654 USA
Standard : FCC Part 96.47

The product was received on Dec. 21, 2021 and testing was started from Dec. 27, 2021 and completed on Dec. 27, 2021. We, Sporton International Inc. Wensan Laboratory, would like to declare that the tested sample has been evaluated in accordance with the test procedures and has been in compliance with the applicable technical standards.

The test results in this report apply exclusively to the tested model / sample. Without written approval of Sporton International Inc. Wensan Laboratory, the test report shall not be reproduced except in full.

Approved by: Jones Tsai

Sporton International Inc. Wensan Laboratory

No.58, Aly. 75, Ln. 564, Wenhua 3rd, Rd., Guishan Dist., Taoyuan City 333010, Taiwan



Table of Contents

History of this test report..... 3

Summary of Test Result..... 4

1 General Description 5

 1.1 Product Feature of Equipment Under Test..... 5

 1.2 Modification of EUT 5

 1.3 Testing Location 6

 1.4 Applicable Standards..... 6

2 Test Configuration of Equipment Under Test 7

 2.1 Connection Diagram of Test System..... 7

3 End User Device additional requirement 8

 3.1 Test Requirement 8

 3.2 Test Procedure 8

 3.3 Test Result..... 9

4 List of Measuring Equipment..... 11



History of this test report

Report No.	Version	Description	Issued Date
FG1N0907	01	Initial issue of report	Dec. 30, 2021



Summary of Test Result

Report Clause	Ref Std. Clause	Test Items	Result (PASS/FAIL)	Remark
3	96.47	End User Device additional requirement	Pass	-

Declaration of Conformity:

The test results with all measurement uncertainty excluded are presented in accordance with the regulation limits or requirements declared by manufacturers.

Comments and Explanations:

The product specifications of the EUT presented in the report are declared by the manufacturer who shall take full responsibility for the authenticity.

Reviewed by: Benson Chen

Report Producer: Vivian Hsu



1 General Description

1.1 Product Feature of Equipment Under Test

Product Feature	
Equipment	Mobile Cellular Phone
Brand Name	Motorola
Model Name	XT2215-2/XT2215-3/XT2215-4/XT2215DL
FCC ID	IHDT56AA4
IMEI Code	351475460011397
EUT supports Radios application	GSM/EGPRS/WCDMA/HSPA/LTE/5G NR/NFC/GNSS/FM WLAN 11a/b/g/n HT20/HT40 WLAN 11ac VHT20/VHT40/VHT80 Bluetooth BR/EDR/LE
HW Version	DVT
EUT Stage	Identical Prototype

Remark: The above EUT's information is declared by manufacturer. Please refer to Comments and Explanations in report summary.

Accessory List	
AC Adapter 1	Brand Name : Motorola
	Model Name : MC-101
	Manufacturer : Chenyang
AC Adapter 2	Brand Name : Motorola
	Model Name : MC-101
	Manufacturer : Salcomp
AC Adapter 3	Brand Name : Motorola
	Model Name : MC-101
	Manufacturer : AOHAJ
Battery 1	Brand Name : Motorola
	Model Name : MD50
	Manufacturer : ATL
Battery 2	Brand Name : Motorola
	Model Name : MD50
	Manufacturer : SCUD
USB Cable 1	Brand Name : Motorola
	Model Name : SC18D22297
USB Cable 2	Brand Name : Motorola
	Model Name : SC18D22298
USB Cable 3	Brand Name : Motorola
	Model Name : SC18D22299

1.2 Modification of EUT

No modifications are made to the EUT during all test items.



1.3 Testing Location

Test Site	Sporton International Inc. Wensan Laboratory
Test Site Location	No.58, Aly. 75, Ln. 564, Wenhua 3rd, Rd., Guishan Dist., Taoyuan City 333010, Taiwan TEL: +886-3-327-0868 FAX: +886-3-327-0855
Test Site No.	Sporton Site No. TH05-HY
Test Engineer	Mina Liu
Temperature	22~25°C
Relative Humidity	41~45%

FCC designation No.: TW3786

1.4 Applicable Standards

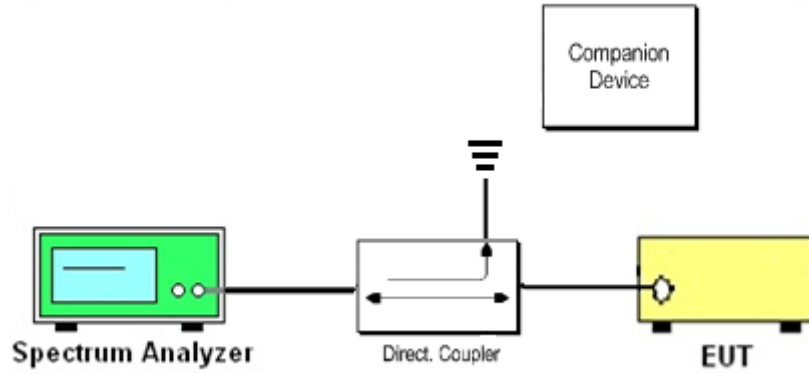
- ♦ FCC Part 96.47
- ♦ FCC KDB 940660 D01 Part 96 CBRS Eqpt v03
- ♦ WINNF-TS-0122-V1.0.2 CBRS CBSD Test Specification

Remark:

1. All test items were verified and recorded according to the standards and without any deviation during the test.
2. The TAF code is not including all the FCC KDB listed without accreditation.

2 Test Configuration of Equipment Under Test

2.1 Connection Diagram of Test System



The companion device is certified CBRS (FCC ID: S9GQ710US02)



3 End User Device additional requirement

3.1 Test Requirement

FCC Part 96.47

(a) End User Devices may operate only if they can positively receive and decode an authorization signal transmitted by a CBSD, including the frequencies and power limits for their operation.

(1) An End User Device must discontinue operations, change frequencies, or change its operational power level within 10 seconds of receiving instructions from its associated CBSD.

3.2 Test Procedure

Following procedure can be done by applying WINNF-TS-0122-V1.0.2 CBRS CBSD Test Specification, use the certified Ruckus CBSD (FCC ID: S9GQ710US02) as companion device to show compliance with Part 96.47 requirement for End User Device (EUD):

1. Setup with frequency 3600-3620MHz and power level 7dBm/MHz
2. Enable AP service from Ruckus Cloud management
3. Check EUD Tx Frequency and power
4. Disable AP service from Ruckus Cloud management
 - a. Check EUD stops transmission within 10seconds.

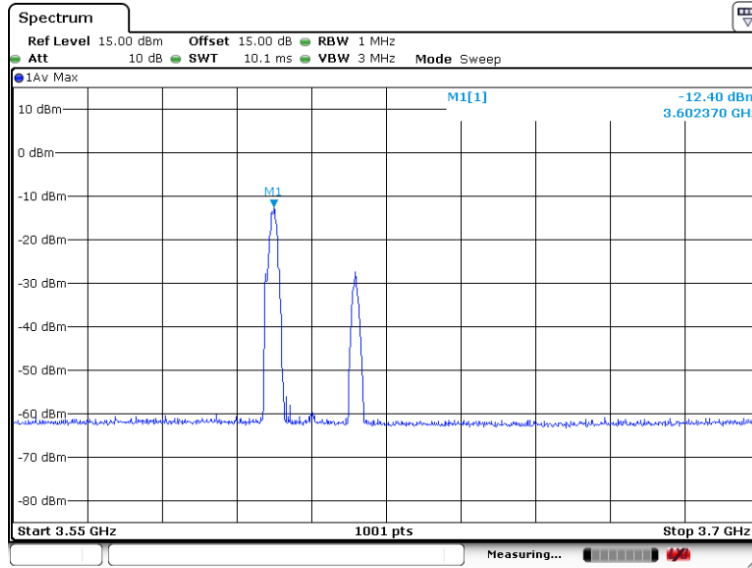
5. Setup with 3670-3690MHz & power level 17dBm/MHz
6. Enable AP service from Ruckus Cloud management
7. Check EUD Tx Frequency and power
8. Disable AP service from Ruckus Cloud management
 - a. Check EUD stops transmission within 10seconds.



3.3 Test Result

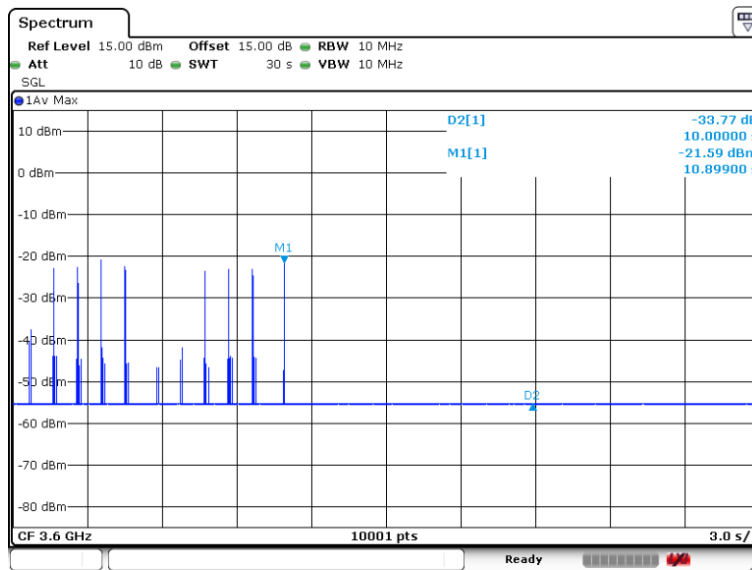
[Step 1] Setup with frequency 3600-3620MHz and power level 7dBm/MHz

[Step 3] Check EUD Tx Frequency and power



Date: 27.DEC.2021 11:15:24

[Step 4.a.] EUD stops transmission within 10 seconds of receiving instructions from its associated CBSD.

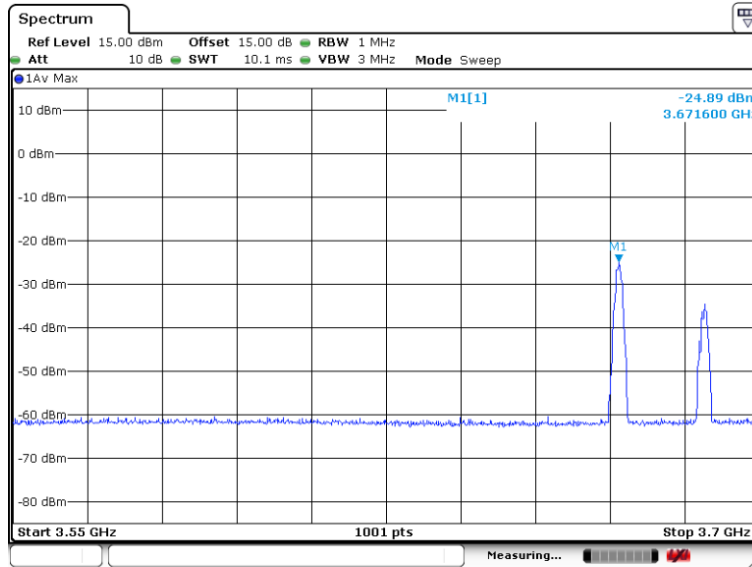


Date: 27.DEC.2021 12:01:22



[Step 5] Setup with 3670-3690MHz & power level 17dBm/MHz

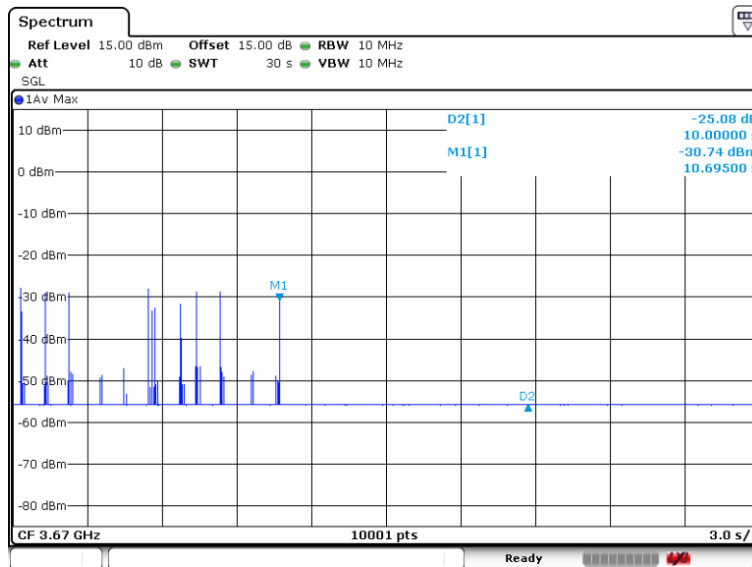
[Step 7] Check EUD Tx Frequency and power



Date: 27.DEC.2021 14:08:40

[Step 8.a.] After changing the frequency and power level,

The module (EUT) discontinues operations, change frequencies, or change its operational power level within 10 seconds of receiving instructions from its associated CBSD. Test result is PASS.



Date: 27.DEC.2021 13:59:44



4 List of Measuring Equipment

Instrument	Brand Name	Model No.	Serial No.	Characteristics	Calibration Date	Test Date	Due Date	Remark
Signal Analyzer	Rohde & Schwarz	FSV40	101566	10Hz-40GHz	Aug. 30, 2021	Dec. 27, 2021	Aug. 29, 2022	TH05-HY

————THE END————