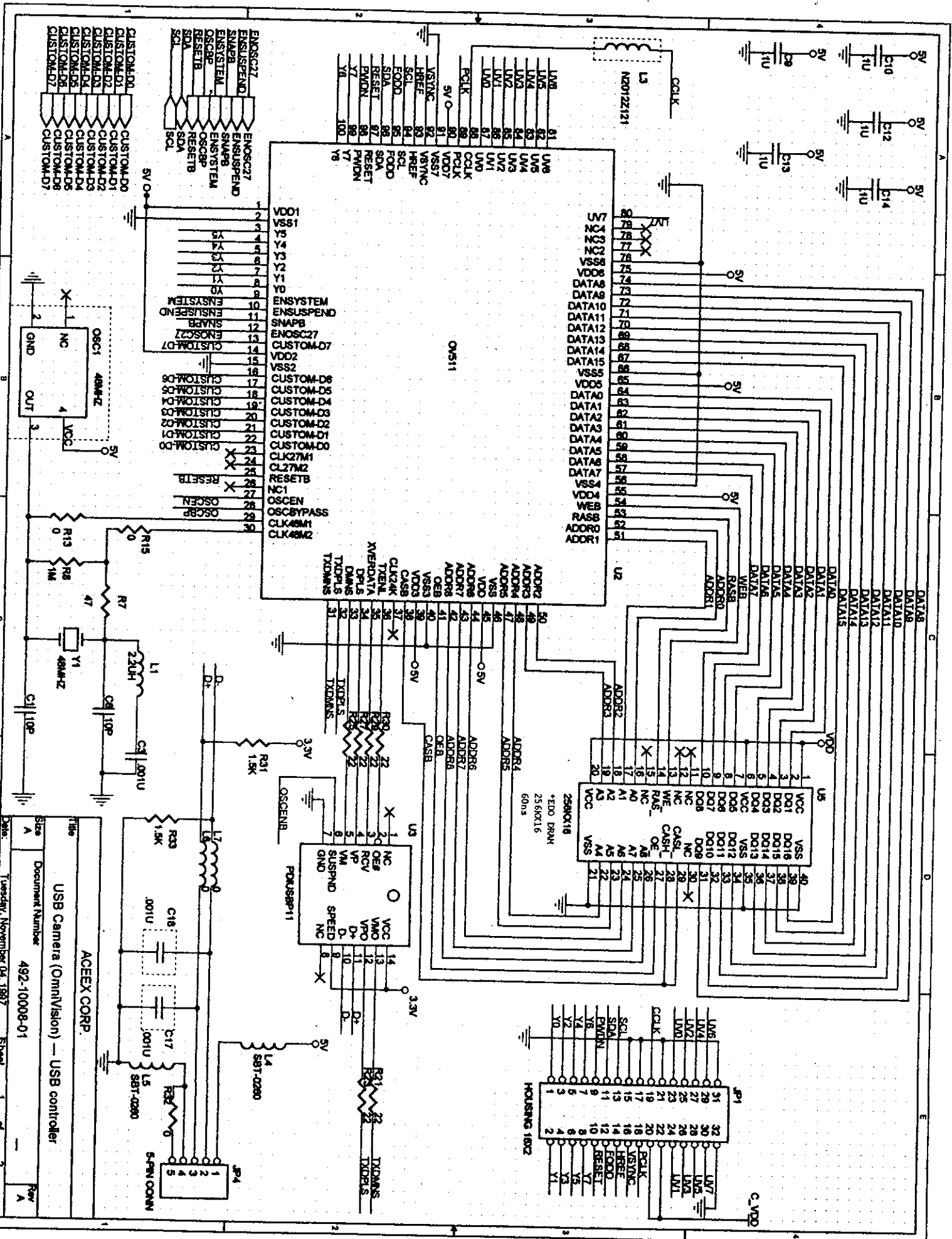
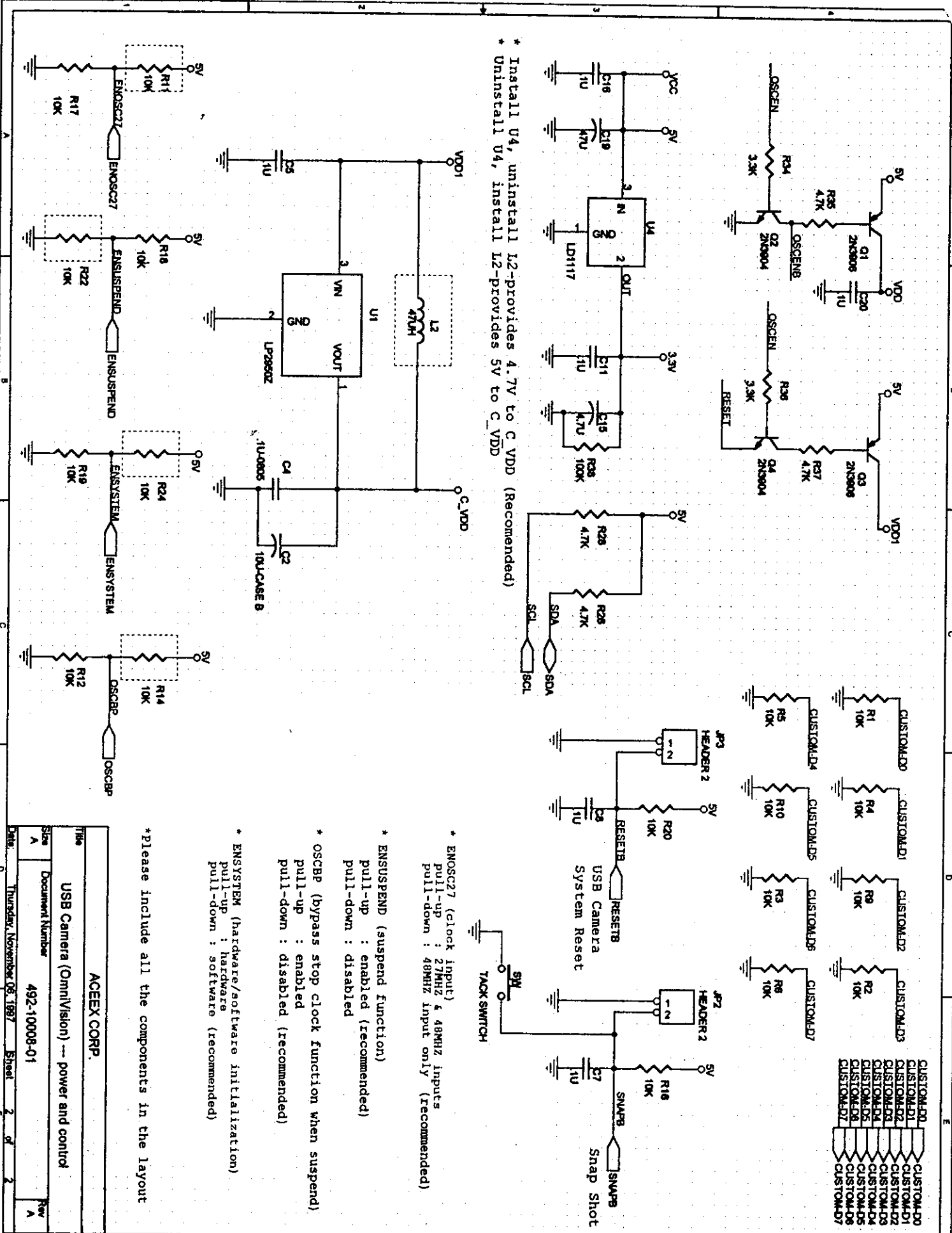


***EXHIBIT D***

***Circuit Diagram***



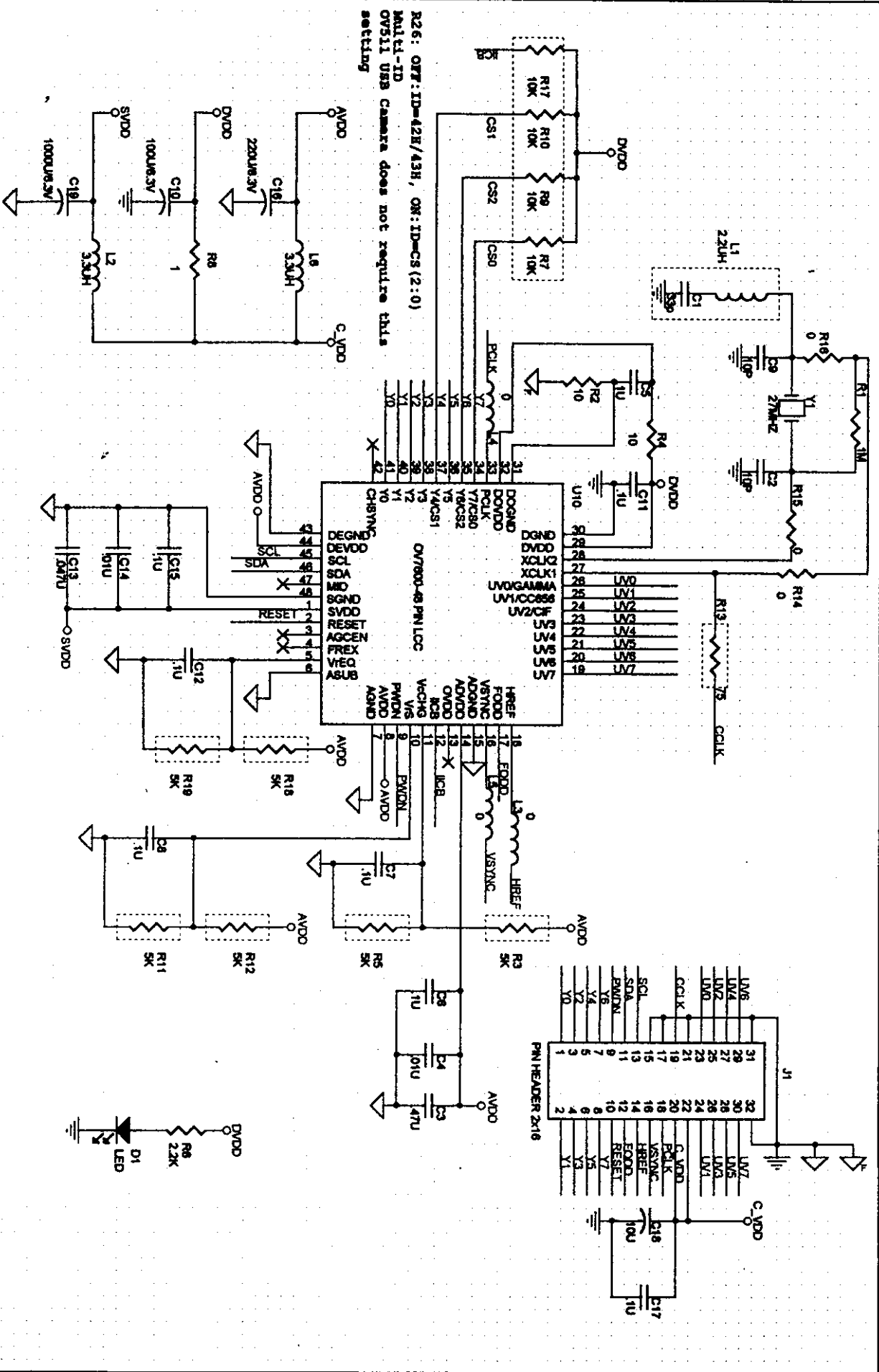
Title: USB Camera (Omnivision) - USB controller  
 Document Number: 492-10008-01  
 Date: Tuesday, November 04, 1997  
 Sheet: 1 of 2



\* Install U4, uninstall L2-provides 4.7V to C\_VDD (Recommended)  
 \* Uninstall U4, install L2-provides 5V to C\_VDD

- \* ENOSC27 (clock input)  
 pull-up : 27MHZ & 48MHZ inputs  
 pull-down : 48MHZ input only (recommended)
  - \* ENSUSPEND (suspend function)  
 pull-up : enabled (recommended)  
 pull-down : disabled
  - \* OSCBP (bypass stop clock function when suspend)  
 pull-up : enabled  
 pull-down : disabled (recommended)
  - \* ENSYSTEM (hardware/software initialization)  
 pull-up : hardware  
 pull-down : software (recommended)
- \* Please include all the components in the layout

<b>ACEEX CORP.</b>	
<b>USB Camera (OmniVision) --- power and control</b>	
Size	Document Number
A	492-10008-01
Rev	Sheet
A	2 of 2



R26: OFF: ID=42E/43H, ON: ID=CS (2:0)  
 MULET-ID  
 OV511 USB camera does not require this  
 setting

\* Pin 31 is a Digital Output Ground

\* VIDCO is a 60Hz B/W analog output for reference only.  
 It requires 27MHz PC1X

\* After Power On, OV511 will "RESET" the OV7610.  
 V7610 is waiting for OV511 to disable the "PWDN"

Title		ACEEX CORP.
Description		USB Camera (OmniVision) --- camera module
Size	Document Number	492-10007-01
Rev	Sheet	1 of 1
Date:	Thursday, November 06, 1997	

***EXHIBIT E***

***Block Diagram***

# USB Camera block diagram

