
Notebook PC User's Guide

Model: TB120UI1

First Edition: February 2007

NOTICE

Specifications and information found in this guide are subject to change **without** notice. Any changes therefore will be incorporated in future editions. The manufacturer assumes **no** responsibility for errors or omissions in this document.

TRADEMARKS

Windows™ is the trademark of *Microsoft Corporation*.

Intel® is the trademark of *Intel Corporation*.

Bluetooth® is the trademark owned by its proprietor.

Other trademarks are properties of their respective owners.

Standards

The following standards are adopted throughout this guide:

- Notebook in **boldface** (with or without capitalization) refers to the notebook computer that you have purchased.

- **Boldface** type is also used to highlight **important information** in this document.

- Whenever extra caution is called for, the information will be boxed in a dark frame preceded by "**Note:**" or "**Warning:**"

This page is left blank intentionally.

CONTENTS

CHAPTER 1 BEFORE YOU BEGIN1-1

- 1.1 CHECKING WHAT YOU RECEIVED 1-1
- 1.2 EXAMINING YOUR COMPUTER..... 1-2
- 1.3 THE THREE SYSTEM LEDS 1-7
- 1.4 THE FIVE STATUS LEDS 1-8
- 1.5 THE POWER BUTTON 1-9
- 1.6 THE SIX SYSTEM BUTTONS 1-10
- 1.7 ATTENTION ON PCMCIA AND MEDIA CARD SOCKETS 1-12
- 1.8 OPERATING TEMPERATURE..... 1-14
- 1.9 THE <FN> KEY 1-15

CHAPTER 2 BATTERY2-1

- 2.1 BATTERY PACK..... 2-1
- 2.2 RECHARGING THE BATTERY PACK 2-1
- 2.3 QUESTIONS AND ANSWERS 2-2
- 2.4 BATTERY MAINTENANCE..... 2-3
- 2.5 POWER CONSUMPTION..... 2-3
- 2.6 REDUCING POWER CONSUMPTION 2-4
- 2.7 REMOVING THE BATTERY PACK..... 2-4

CHAPTER 3 MEMORY3-1

- 3.1 REMOVING MEMORY MODULE 3-2

CHAPTER 4 THE HARD DISK DRIVE.....4-1

- 4.1 REMOVING THE HARD DISK DRIVE 4-1

APPENDIX A - AGENCY REGULATORY NOTICESA-1

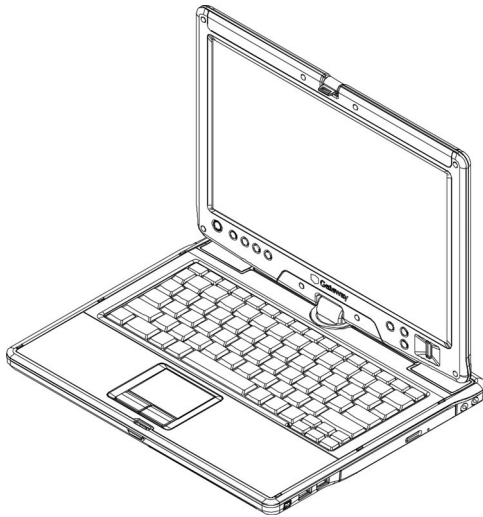
This page is left blank intentionally.

Chapter 1 Before You Begin

Please read this section before you start using your computer.

1.1 Checking What You Received

Your **notebook** package should contain the following items:

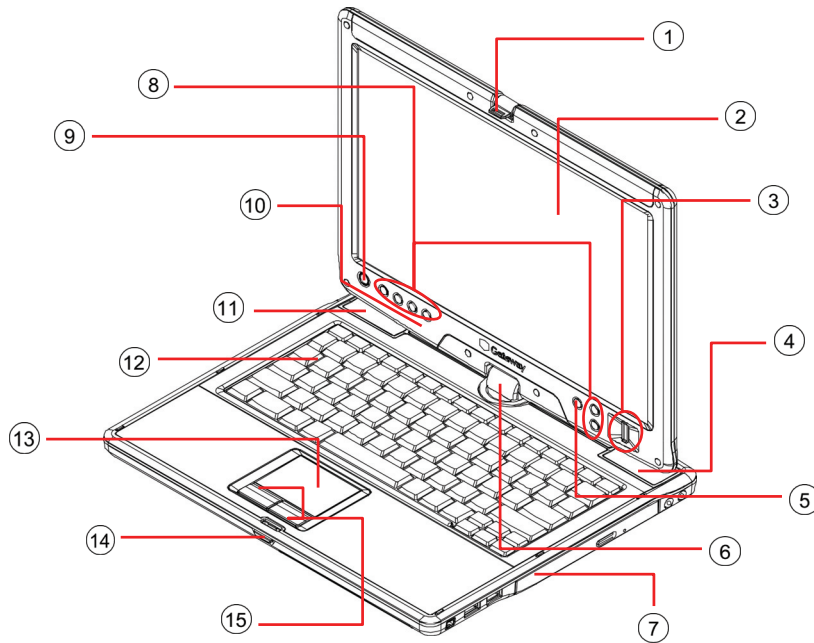


- **The Notebook.**
- AC Adapter.
- AC Power Cord.
- CD Disc (Including Drivers and User's Guide).
- Battery Pack.

Note: You should keep the original factory carton and packing materials in case you need to ship the unit back for servicing.

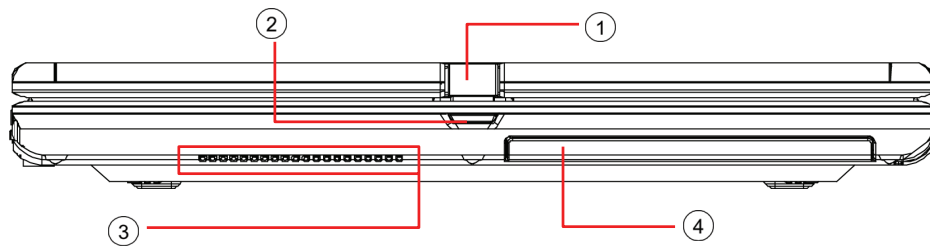
1.2 Examining Your Computer

Before you start using your computer, you need to get acquainted with your **notebook's** main features and interfaces:



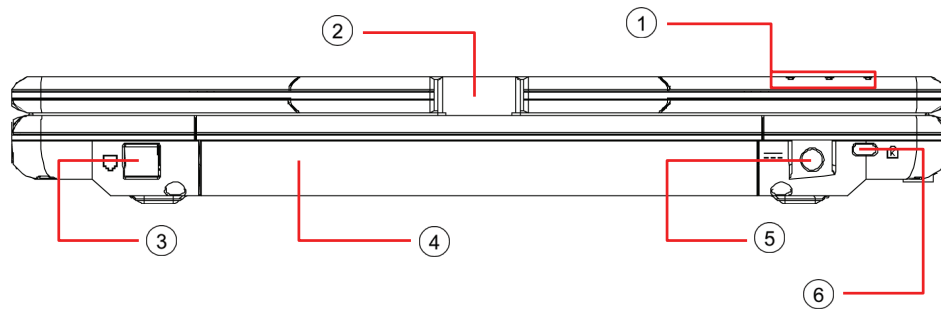
Panoramic View

① LCD Lock	⑨ Power Button
② LCD Screen	⑩ Five Status LEDs
③ Fingerprint Detector	⑪ Speaker
④ Speaker	⑫ Keyboard
⑤ Ambient Light Sensor	⑬ Touch Pad
⑥ Rotation Hinge	⑭ LCD Latch
⑦ ODD Drive	⑮ Two Click Buttons
⑧ Six System Buttons	



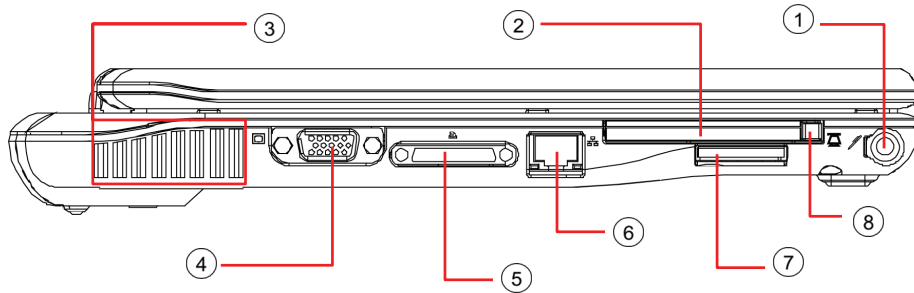
Front View

① LCD Lock	③ Ventilation Holes
② LCD Latch	④ HDD Door



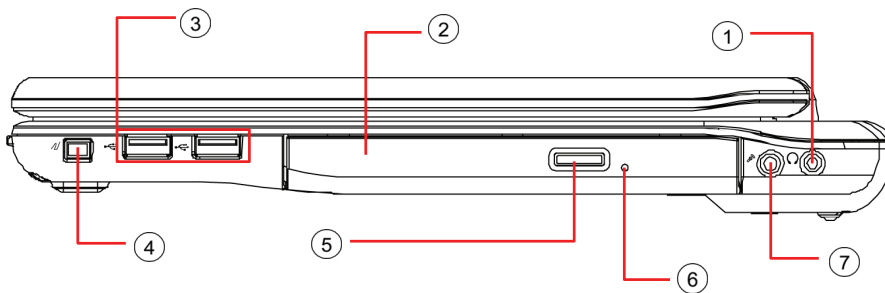
Rear View

① Three System LEDs	④ Battery Pack
② Rotation Hinge	⑤ DC-In Jack
③ RJ11 Fax/Modem Connector	⑥ Kensington Lock



Left View

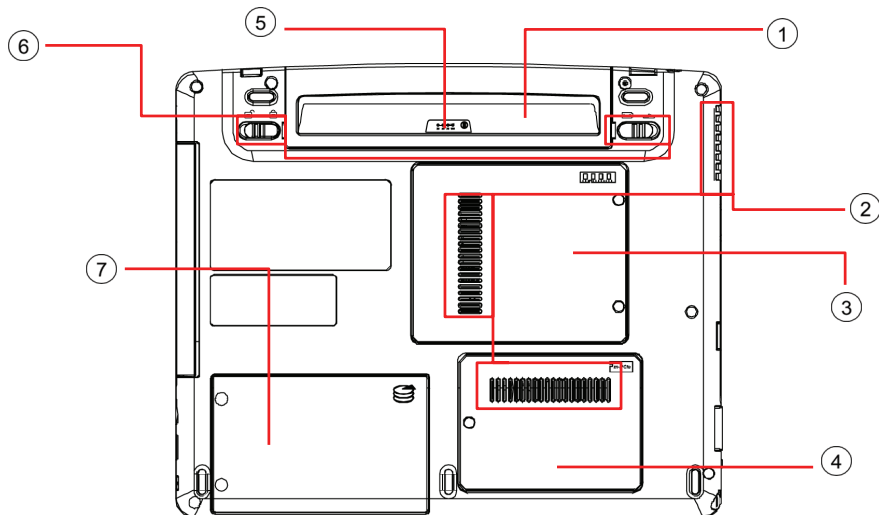
① Stylus Slot	⑤ Cable Docking (Optional) Connector
② PCMCIA Slot	⑥ RJ45 LAN Connector
③ Ventilation Holes	⑦ Media Card Slot
④ VGA Connector	⑧ PCMCIA Eject Handle



Right View

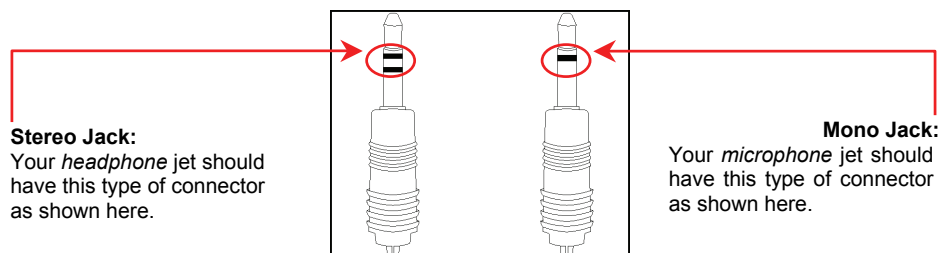
① Headphone Jack (SPDIF)	⑤ ODD Eject Button
② ODD Drive	⑥ Emergency Hole
③ Two USB Connectors	⑦ Microphone Jack
④ IEEE1394 Connector	

Note: The stylus pen together with the system touch-screen LCD display provides you a touch-screen operation by emulating the industry standard mouse right click. You are advised to keep the stylus pen in the stylus slot when not in use.



Bottom View

① Battery Pack	⑤ Battery Power Meter
② Ventilation Holes	⑥ Two Battery Latches
③ Memory Door	⑦ HDD Door
④ Mini-PCI Express Door	



Stereo Jack:
Your *headphone* jet should have this type of connector as shown here.

Mono Jack:
Your *microphone* jet should have this type of connector as shown here.

Two Types of Audio Jack

1.3 The Three System LEDs



The Power LED

Below is how the LED would behave in different situations:

Off	System is powered off, or in Hibernate mode.
On	System is in full operation.
Blinking	System is in Standby mode.



The Battery LED

Below is how the LED would behave in different situations:

Purple	Battery pack is being recharged: fast-charge or pre-charge.
Blue	Battery pack is in full power capacity.
Off	Battery pack is not under recharge.
Red Blinking	Battery pack is consuming down to 10% level.
Red Blinking Four Times	Battery pack is consuming down to 6% level.
Red	Battery pack error.



The Stylus LED

The LED would be lit and system would start to beep for about ten seconds when the system is powered off or in **hibernate** mode, and the stylus pen is not inserted into the slot.

Note: For exact location of these **Three System LEDs**, please refer to the **Rear View** diagram in *Chapter 1.2*.

For more details on **Standby** and **Hibernate**, please refer to **Power Options** in the **Control Panel** of your Microsoft Windows™ operating system.

1.4 The Five Status LEDs



The Battery LED

Below is how the LED would behave in different recharge situations:

Purple	Battery pack is being recharged: fast-charge or pre-charge.
Blue	Battery pack is in full power capacity.
Off	Battery pack is not under recharge.
Red Blinking	Battery pack is consuming down to 10% level.
Red Blinking Four Times	Battery pack is consuming down to 6% level.
Red	Battery pack error.



The Wireless LAN LED

This LED would be lit when the wireless LAN module is powered on. For details on how to power on the wireless LAN module, please refer to *Chapter 1.6* and *Chapter 1.9*.



The Caps Lock LED

The LED would be lit when the keyboard is in **Caps Lock** mode. In this mode, all characters you type are in uppercase.



The Num Lock LED

This LED would be lit when the keyboard is in **Num Lock** mode. In this mode, the embedded numeric keypads can be used.



The HDD LED

This LED would be lit when system is accessing the HDD drive.

Note: The **Five Status LEDs** are located near the left bottom of LCD display. For exact location, please refer to the **Panoramic View** diagram in *Chapter 1.2*.

The Battery LED is also visible on the rear side of LCD display.

1.5 The Power Button



The Power Button

This **Power Button** is programmable by user. For detail on how to program this button, please refer to the **Power Options** of **Control Panel** in **Windows™ System**.

Note: The **Power Button** is located near the bottom left of LCD panel. For exact location, please refer to the **Panoramic View** diagram in *Chapter 1.2*.

1.6 The Six System Buttons



The SAS (Alt+Ctrl+Del) Button

Press this switch to emulate Windows' "Alt", "Ctrl" and "Del" buttons pressed simultaneously.



The Display Rotation Button

Press this button to rotate the image displayed on the LCD screen. Screen image would rotate by an angle of 90 degree each time when this button is pressed.



The Mobility Center Button

Press this button to enter the menu of Windows **Mobility Center** in Windows **Vista™** operating system.



The Wireless LAN/ Bluetooth® Button

Press this button to power on and power off both the **Wireless LAN** and **Bluetooth®** modules. Powering on the **Wireless LAN** and **Bluetooth®** by pressing this button does not automatically activate the **Wireless LAN** and **Bluetooth®** functions. After powering on, you need to activate the **Wireless LAN** and **Bluetooth®** functions through Windows™. The main purpose of this button is to provide you a quick way to turn off the power of **Wireless LAN** and **Bluetooth®** when entering venues like airplanes, airports, and hospitals where the usage of **Wireless LAN** and **Bluetooth®** are prohibited or not advisable.



The Enter Button

Press this button to emulate the function of "Enter".



The Backspace Button

Press this button to emulate the function of "Back Space".

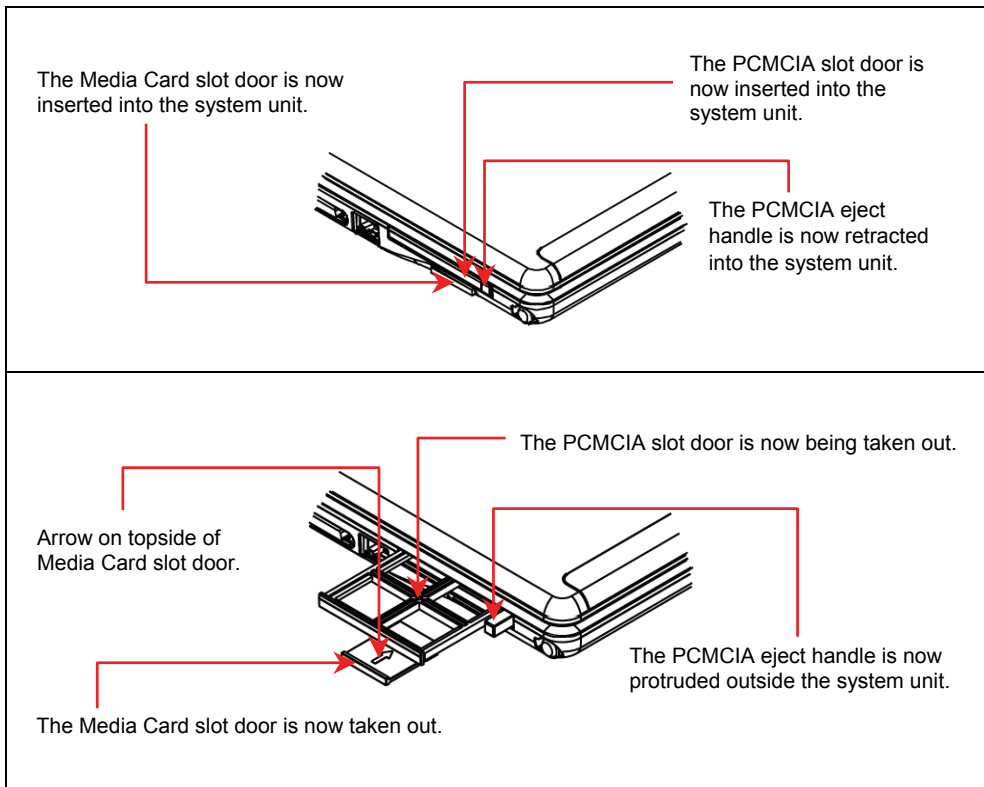
Note: The **Six System Buttons** are located near the bottom of LCD display. For exact location, please refer to the **Panoramic View** diagram in *Chapter 1.2*.

Note: The proper way to activate **Wireless LAN**, and **Bluetooth®** is as below:

- 1) Press this **Wireless LAN/ Bluetooth® Button** to power on **Wireless LAN** and **Bluetooth®** modules.
- 2) Activate the application programs in Windows™.

The effective range of the system **Bluetooth®** is 10 meters.

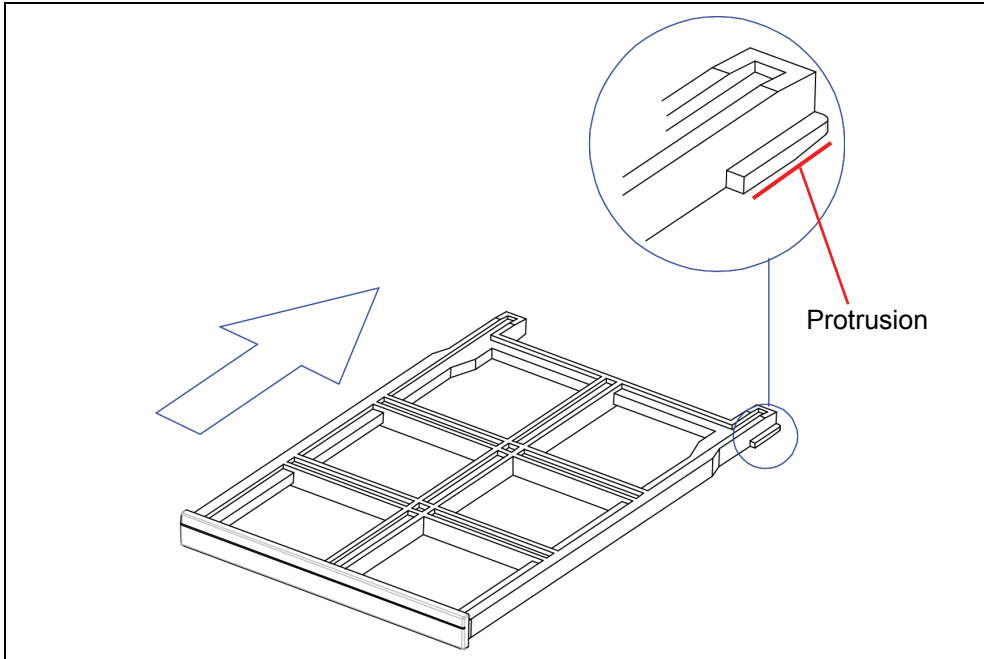
1.7 Attention On PCMCIA And Media Card Sockets



Please observe below safety measures:

- Make sure the PCMCIA eject handle does not protrude out at all times, unless you are using the handle to eject PCMCIA card. A protruded handle is prone to external interference; such as ramming by an inkjet printer or external keyboard.
- When PCMCIA card is not inserted into the PCMCIA slot, make sure this slot is covered by the "PCMCIA slot door" as supplied together with this **notebook**. The purpose of this "PCMCIA slot door" is to prevent foreign matters from entering into the system unit through this slot, when PCMCIA card is not inserted.

- When no card (SD/ MMC/ MS Cards) is inserted into the media card slot, make sure this card slot is covered by the “media card slot door” as supplied together with this **notebook**. The purpose of this “media card slot door” is to prevent foreign matters from entering into the system unit through this card slot, when no card is inserted. When inserting this “media card slot door”, please make sure the arrow is on the topside as shown above. Inserting this door upside down may cause damage to your **notebook**.



When you insert the PCMCIA slot door, make sure the orientation of the slot door is as shown with the protrusion on the lower side. Inserting this door upside down may cause damage to your **notebook**.

1.8 Operating Temperature

Operating Temperature : 10°C to 35°C.

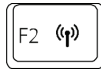
1.9 The <Fn> Key

The <Fn> Function Key is located near the bottom-left corner of the keyboard. This key is used together with other keys to activate certain pre-defined functions. To activate these functions, press and hold down <Fn> together with the keys described below:



LED Toggle

Press this key combination (F_n+F_1) to toggle on and toggle off all LED lights. To minimize visual distractions, you may like to toggle off all LED lights during DVD software playback.



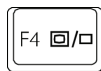
Wireless LAN Switch

Press this key combination (F_n+F_2) to power on and power off the **Wireless LAN** modules. Powering on the **Wireless LAN** by pressing this key combination (F_n+F_2) does not automatically activate the **Wireless LAN** functions. After powering on, you need to activate the **Wireless LAN** functions through Windows™. The main purpose of this key combination (F_n+F_2) is to provide you a quick way to turn off the power of **Wireless LAN** when entering venues like airplanes, airports, and hospitals where the usage of **Wireless WAN/LAN** is prohibited or not advisable.



Sleep Switch

Press this key combination (F_n+F_3) to enter sleep mode. In sleep mode, the LCD display and selected devices would be switched off for less energy consumption.



LCD/CRT Switch

Press this key function combination (F_n+F_4) to switch between LCD only, CRT only, and LCD/CRT simultaneously.

**Bluetooth Switch**

Press this key combination (F_n+F6) to power on and power off the **Bluetooth®** module. Powering on the **Bluetooth®** by pressing this key combination (F_n+F6) does not automatically activate the **Bluetooth®** function. After powering on, you need to activate the **Bluetooth®** function through Windows™. The main purpose of this key combination (F_n+F6) is to provide you a quick way to turn off the power of **Bluetooth®** when entering venues like airplanes, airports, and hospitals where the usage of **Bluetooth®** is prohibited or not advisable.

**LCD Brightness Toggle**

System supports eight levels of brightness. Press this key combination (F_n+F7) to switch the LCD brightness between: maximum brightness, minimum brightness, and user setting brightness.

**Volume Decrease**

Press this key combination (F_n+F8) to decrease the audio volume.

**Volume Increase**

Press this key combination (F_n+F9) to increase the audio volume.

**Volume Mute/Un-mute**

Press this key combination (F_n+F10) to mute and un-mute the audio volume.

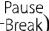
**F12 Function**

Press the key combination (F_n+F11) to use F12 function. Function of this key will vary a lot depending on which application programs (for example: Word, and Excel) you are running.

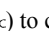
**Num Lock Switch**

Press this key combination ($Fn+Scroll$ ) to activate or deactivate the embedded numeric keypads.


**Break Switch**

Press this key combination ($Fn+Pause$ ) to break the MS-I OS application program you are running. Its function is the same as the industry standard “break” key.

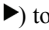
**Print Screen Switch**

Press this key combination ($Fn+Ins$ ) to capture the screen image. Its function is the same as the industry standard “PrtSC” key.


**Brightness Decreasing**

Press this key combination ($Fn+Brightness$ ) to decrease brightness of LCD display.

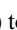
**Brightness Increasing**

Press this key combination ($Fn+Brightness$ ) to increase brightness of LCD display.


**Page Up**

Press this key combination ($Fn+Up$ ) to move up one page of the document.

**Page Down**

Press this key combination ($Fn+Down$ ) to move down one page of the document.

**System Restart**

Press this key combination ($Fn+Windows$ ) to emulate the industry standard of “Alt”, “Ctrl” and “Del” being pressed simultaneously.

Note regarding to brightness:

- LCD backlight would be off when system entered sleep mode.
- If system enters sleep mode when brightness level is set to minimum brightness by means of pressing (F_n+F7), system would resume to its user setting brightness level after resuming from sleep.
- System supports dual user setting brightness: specifically one for when system is powered by AC source and another when system is powered by battery pack. If you switch the system's power source, LCD brightness would be adjusted automatically.

Note: The proper way to activate **Wireless LAN**, and **Bluetooth®** is as below:

- 1) Press this key combination (F_n+F2) to power on **Wireless LAN**.
- 2) Press this key combination (F_n+F6) to power on **Bluetooth®**.
- 3) Activate the application programs in Windows™.

The effective range of the system **Bluetooth®** is 10 meters.

Chapter 2 Battery

2.1 Battery Pack

Your **notebook** is equipped with a high-energy rechargeable **Lithium Ion (Li-Ion)** battery pack. Battery life will vary depending on the product configuration, product model, applications loaded on the product, power management settings of the product, and the product features used by the customer. As with all batteries, the maximum capacity of this battery will decrease with time and usage.

2.2 Recharging The Battery Pack

Your **notebook** supports both on-line and off-line recharge. Follow the procedure below to recharge battery:

- Make sure the battery pack is installed in the **notebook**.
- Connect the AC adapter to the **notebook** and to an electrical outlet.

When a battery pack is being recharged, the battery LED (located near the rear side and left bottom of LCD panel) would be lit. For details on the LED, please refer to *Chapter 1.3*. When the notebook is OFF, a depleted Li-Ion battery will take three hours to recharge.

2.3 Questions And Answers

Q: I can feel a milder heat next to the **battery pack** during recharge. Is it normal?

A: The battery will generate heat during recharging and discharging. There is a protection circuit inside the **notebook** to prevent overheating. User needs not to worry.

Q: My battery operation time is not as long as it should be. Why?

A: The battery is heat sensitive and can only be charged to its maximum if the battery and its environmental temperature remain within 15-25°C (59-77°F). The more the temperature deviates from this range during recharging, the less chance there is for the battery to be fully charged. In order to recharge the pack to its full capacity, users are requested to cool down the unit by unplugging the AC Adapter. Wait until it is cooled down. Then plug in the AC Adapter to start recharging again.

Q: I did not use my spare battery for a few days. Even though it was fully recharged, there wasn't as much power left as a newly charged one. Why?

A: The batteries will self-discharge (1% per day for Li-Ion) when they are not being recharged. To make sure a battery pack is fully charged, recharge before use. Always keep the battery inside the **notebook** and have the AC adapter connected whenever possible.

Q: I did not use my spare battery for months. I have problem in recharging it.

A: If you happen to leave your battery pack to go through an extended period of self-discharge, say more than three months, the battery voltage level will become too low and needs to be **Pre-Charged** (to bring the battery voltage level high enough) before it automatically (for Li-Ion only) resumes its normal **Fast Charge**. **Pre-Charge** may take 30 minutes. **Fast Charge** usually takes 2~3 hours.

2.4 Battery Maintenance

To maintain the battery pack's maximum capacity, you should occasionally let the **notebook** deplete its battery power completely before recharging.

To carry out a complete depletion of the battery, disconnect the AC adapter and let your **notebook** consume the remaining battery power. To speed up the depletion, use the HDD as much as possible, and the LCD should be set as bright as possible. When the battery is empty, wait for the **notebook** to cool down (especially the battery). The temperature should be within 15-25°C (59-77°F). Then insert the AC adapter to recharge the battery.

2.5 Power Consumption

The **Windows™** operating system has incorporated the latest state-of-the-art **ACPI (Advanced Configuration Power Interface)** power management methodology. In order to fully utilize the power of your battery packs, it would be a good idea for you to spend sometime to acquire a basic understanding of the power management concept from your operating system.

In **Windows™ Operating Systems**, you can go through **Power Options** of the **Control Panel** according to the version of **Windows™ Operating System** the **notebook** applies. We shall not describe them in details.

2.6 Reducing Power Consumption

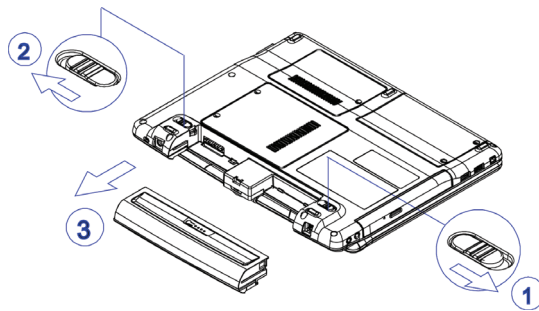
Although your **notebook** (together with the operating system) is capable of power conservation, there are measures you can take to reduce the power consumption:

- Use the AC power whenever possible.
- Lower the intensity of the LCD backlight. A very bright screen translates to higher power usage.
- Try to use the HDD or the PCMCIA drive to read and write files, instead of using the external USB FDD.

Note: When system is powered on, make sure the battery pack is installed in the battery pack compartment.

2.7 Removing The Battery Pack

This battery pack can easily be removed and replaced. Make sure that the computer is properly shutdown before changing the battery pack. If you would like to change the battery pack while power is on, make sure this battery pack is not the only electrical source to the system unit. Follow the steps below to remove the battery pack.



- Make sure the system is properly shutdown.
- Flip the system upside down as shown.
- Push the battery latch to unlock position as shown by #1.
- Push the battery latch to unlock position as shown by #2.
- Maintain the two battery latches in unlock positions.
- Remove the battery pack as shown by #3.

To insert the battery pack, reverse the steps above.

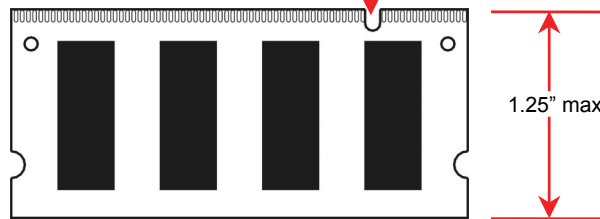
Chapter 3 Memory

Your **notebook** is equipped with a configurable memory unit. The industry standard **JEDEC DDR2 S.O.DIMM** memory module sockets are available for memory upgrade to 4096MB. The table below illustrates all the possible ways system memory can be configured.

Your notebook supports the below industry standard memory modules: PC4300 (DDR2-533), and PC5300 (DDR2-667). If it occurs that different standards of memory module are installed into the system (with one module in socket#1 and another in socket#2), the overall speed would be downgraded to the lower standard of the two standards.

Total Memory	Socket#1	Socket#2
256MB	0MB	256MB
256MB	256MB	0MB
512MB	0MB	512MB
512MB	256MB	256MB
512MB	512MB	0MB
768MB	256MB	512MB
768MB	512MB	256MB
1024MB	0MB	1024MB
1024MB	512MB	512MB
1024MB	1024MB	0MB
1280MB	256MB	1024MB
1280MB	1024MB	256MB
1536MB	512MB	1024MB
1536MB	1024MB	512MB
2048MB	1024MB	1024MB
4096MB	2048MB	2048MB

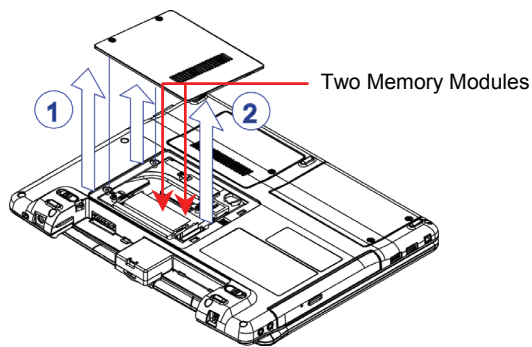
Groove for indicating the orientation of the module



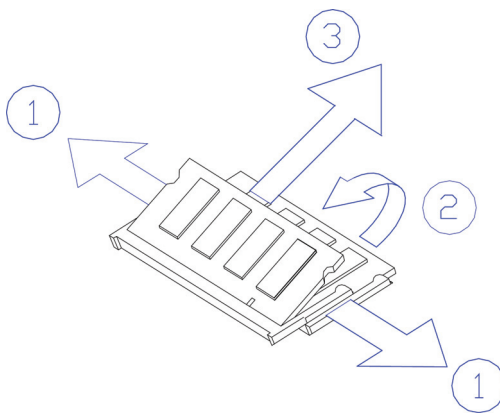
DDR2 S.O. DIMM Memory Module

3.1 Removing Memory Module

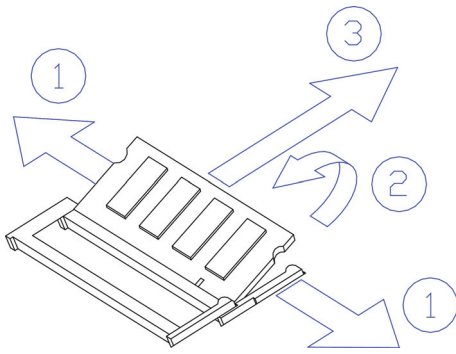
Below is the procedure on how to remove the memory module.



- Make sure the system is properly shutdown.
- Flip the system upside down as shown.
- Remove the battery pack as shown in **Chapter 2**.
- Remove the two screws as shown by **#1**.
- Remove the compartment door as shown by **#2**.



- Press the spring-locks sideways as shown by **#1**.
- The first memory module would pop up as shown by **#2**.
- Remove the first memory module as shown by **#3**.



- Press the spring-locks sideways as shown by **#1**.
- The second memory module would pop up as shown by **#2**.
- Remove the second memory module as shown by **#3**.

To insert the memory modules, reverse the steps above.

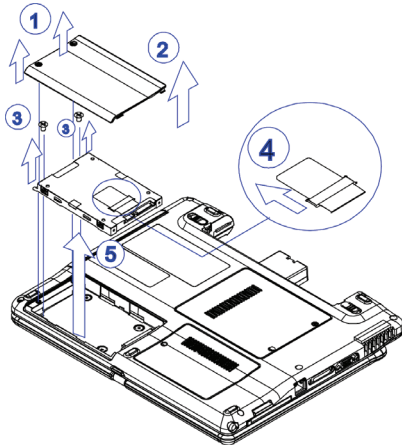
This page is left blank intentionally.

Chapter 4 The Hard Disk Drive

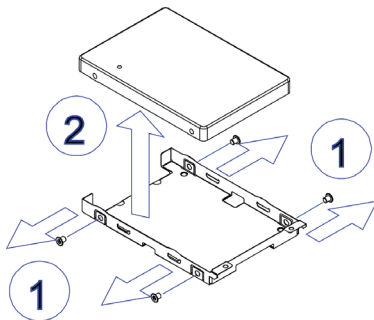
Your **notebook** is equipped with an industry standard 2.5"/9.5mm hard disk drive.

4.1 Removing The Hard Disk Drive

Below is the procedure on how to remove the hard disk drive.



- Make sure the system is properly shutdown.
- Flip the system upside down as shown.
- Remove the battery pack as shown in **Chapter 2**.
- Remove the two screws as shown by **#1**.
- Remove the HDD door as shown by **#2**.
- Remove the two screws as shown by **#3**.
- Pull the belt to disconnect HDD module from the system unit as shown by **#4**.
- Remove the HDD module as shown by **#5**.



- Remove the four screws as shown by **#1**.
- Remove the HDD drive as shown by **#2**.

To insert the HDD drive, reverse the steps above.

This page is left blank intentionally.

Appendix A - Agency Regulatory Notices

A.1 Safety Instructions



CAUTION: Please read these safety instructions carefully.



CAUTION: Please keep this User's Manual for future reference.



CAUTION: Please disconnect this equipment from AC outlet before cleaning. DO NOT use liquid or sprayed detergent for cleaning. Use a clean moistened cloth.



CAUTION: The wall socket used should be positioned near the equipment and should be easily accessible.



CAUTION: Please keep this equipment free from humidity.



CAUTION: Place the equipment on a reliable surface at all times. A drop or fall can cause severe damage.



WARNING: The openings of the enclosure are for air ventilation and are meant to protect the equipment from overheating. DO NOT COVER THE VENTILATION OPENINGS.



CAUTION: Verify the voltage of the power source before connecting the unit to any power outlet.



WARNING: DO NOT step on or place anything over the power cord.



CAUTION: All cautions and warnings on the equipment should be noted.



WARNING: If the equipment is not used for a long period of time, disconnect the equipment from the power source to avoid damage from power spikes.



WARNING: NEVER pour any liquid into any openings; a fire or electrical shock is possible.



WARNING: For safety reasons, other than pre-designated ports, doors, and the equipment should be opened only through qualified service personnel.



CAUTION: If one of the following situations should arise, the equipment should be checked by an authorized technician:

- a. The power cord or plug is damaged.
 - b. Liquid has penetrated into the equipment.
 - c. The equipment has been exposed to excessive moisture.
 - d. The equipment does not work well, or you fail to get it to work according to user's manual.
 - e. The equipment has been dropped or damaged.
 - f. The equipment has obvious signs of breakage.
-
-



CAUTION: DO NOT LEAVE THE EQUIPMENT IN TEMPERATURES BELOW -20°C(-4°F) OR ABOVE 60°C(140°F). IT MAY CAUSE DAMAGE TO THE EQUIPMENT.



WARNING: Never install modem/telephone wiring during a lightning storm.



WARNING: Never install modem/telephone jacks in wet locations unless the jack is specially designed for wet locations.



WARNING: Never touch un-insulated modem/telephone wires or terminals unless the modem/telephone line has been disconnected at the network interface.



CAUTION: Use caution when installing or modifying modem/telephone lines.



WARNING: Avoid using a modem/telephone (other than a cordless type) during an electrical storm. There may be a remote risk of electric shock from lightning.



WARNING: This computer contains an internal lithium battery-powered real-time circuit. There is a risk of explosion and injury if the battery is incorrectly replaced or handled. Do not attempt to recharge, disassemble, immerse in water, or dispose of it in fire. Replacement should be done through your notebook dealer.



WARNING: THE CD-ROM/DVD-ROM IN THIS NOTEBOOK EMPLOYS A LASER SYSTEM.

- a. To ensure proper use of this product, please read the relevant instructions carefully and retain for future reference.
 - b. Should the unit ever require maintenance, contact your local dealer.
 - c. Use of controls, adjustments or the performance of procedures other than those specified may result in hazardous radiation exposure.
 - d. To prevent direct exposure to Laser Beam, do not try to open the enclosure.
-



CAUTION: The internal CD-ROM/DVD-ROM drive is classified as a **CLASS 1 LASER PRODUCT**. Label is located on the outside of the CD-ROM/DVD-ROM drive with the following wordings:

CLASS 1 LASER PRODUCT
KLASSE 1 LASER PRODUKT



WARNING: Danger of explosion if battery is incorrectly replaced. Replace only with the same or equivalent type recommended by the manufacturer. Dispose of used batteries according to the manufacturer's instructions.
Explosionsgefahr bei unsachgemäßen Austausch der Batterie. Ersatz nur durch denselben oder einem vom Hersteller empfohlenem ähnlichen Typ. Entsorgung gebrauchter Batterien nach Angaben des Herstellers.



WARNING: Your **notebook** contains a Ni-MH or Li-Ion battery pack. There is a risk of fire and chemical burn if the battery pack is handled improperly. Do not disassemble, crush, puncture, short external contact, dispose of in water or fire, or expose it to temperature higher than 60°C.



WARNING: Handle the battery pack very carefully. Avoid touching the metal leads on the connector of the battery case.



CAUTION: Use only approved AC Adapter with your notebook. Using the wrong type of AC Adapter may cause serious damage to your notebook.



CAUTION: The AC Adapter can accept a line voltage ranging from 100V to 240V and is compatible with most international power sources. If you are unsure whether your power source is compatible, please contact the local dealer for assistance.



CAUTION: To reduce the risk of fire, use only No. 26 AWG or larger telecommunication line cord.



CAUTION: For continued protection against risk of fire, Replace only with same type and rating of fuse.



CAUTION: If the computer is not sold to German area, please use only the local recognized power supply cords that are recommended by the manufacturer.



WARNING: Don't expose your **notebook** to excessive heat or coldness (frost). Don't drop, spill fluids or open the exterior of the case. This can damage the **notebook** and void the warranty.

A.2 Agency Notice

Federal Communications Commission Notice

This equipment has been tested and found to comply with the limits for a Class B digital device, pursuant to part 15 of the FCC Rules. These limits are designed to provide reasonable protection against harmful interference in a residential installation. This equipment generates, uses and can radiate radio frequency energy and, if not installed and used in accordance with the instructions, may cause harmful interference to radio communications.

However, there is no guarantee that interference will not occur in a particular installation. If this equipment does cause harmful interference to radio or television reception, which can be determined by turning the equipment off and on, the user is encouraged to try to correct the interference by one or more of the following measures:

- Reorient or relocate the receiving antenna.
- Increase the separation between the equipment and receiver.
- Connect the equipment into an outlet on a circuit different from that to which the receiver is connected.
- Consult the dealer or an experienced radio or television technician for help.

This device complies with part 15 of the FCC Rules. Operation is subject to the following two conditions:

- (1) This device may not cause harmful interference, and
- (2) This device must accept any interference received, including interference that may cause undesired operation.

Modifications

The FCC requires the user to be notified that any changes or modifications made to this device that are not expressly approved by the manufacturer responsible for compliance may void the user's authority to operate the equipment.

Cables

Connections to this device must be made with shielded cables with metallic RFI/EMI connector hoods to maintain compliance with FCC Rules and Regulations.

FCC RF Radiation Exposure Statement

- If this device is going to be operated in 5.15 ~5.25GHz frequency range, then it is restricted in indoor environment only.
- This transmitter must not be co-located or operating in conjunction with any antenna or transmitter, other than the installed Bluetooth module.

USA and Canada Safety Requirements And Notices

The FCC with its action in ET Docket 93-62 has adopted a safety standard for human exposure to radio frequency (RF) electromagnetic energy emitted by FCC certified equipment. The Intel PRO/Wireless LAN MiniPCI Adapter products meet the Human Exposure limits found in OET Bulletin 65, 2001, and ANSI/IEEE C95.1, 1992. Proper operation of this radio according to the instructions found in this manual will result in exposure substantially below the FCC's recommended limits.

The following safety precautions should be observed:

- Do not touch or move antenna while the unit is transmitting or receiving.
- Do not hold any component containing the radio such that the antenna is very close or touching any exposed parts of the body, especially the face or eyes, while transmitting.
- Do not operate the radio or attempt to transmit data unless the antenna is connected; if not, the radio may be damaged.

Use in specific environments:

- The use of wireless devices in hazardous locations is limited by the constraints posed by the safety directors of such environments.
- The use of wireless devices on airplanes is governed by the Federal Aviation Administration (FAA).
- The use of wireless devices in hospitals is restricted to the limits set forth by each hospital.

Explosive Device Proximity Warning

Warning: Do not operate a portable transmitter (such as a wireless network device) near unshielded blasting caps or in an explosive environment unless the device has been modified to be qualified for such use.

Use On Aircraft Caution

Caution: Regulations of the FCC and FAA prohibit airborne operation of radio-frequency wireless devices because their signals could interfere with critical aircraft instruments.

Canadian Notice

This Class B digital apparatus meets all requirements of the Canadian Interference-Causing Equipment Regulations.

Avis Canadien

Cet appareil numérisé de la classe B respecte toutes les exigences du Règlement sur le matériel brouilleur du Canada.

Canada Radio Frequency Interference Requirements

This Class B digital apparatus complies with Canadian ICES-003, Issue 2, and RSS-210, Issue 4 (Dec. 2000).

“To prevent radio interference to the licensed service, this device is intended to be operated indoors and away from windows to provide maximum shielding. Equipment (or its transmit antenna) that is installed outdoors is subject to licensing.”

Cet appareil numérique de la classe B est conforme à la norme NMB-003, No. 2, et CNR-210, No. 4 (Dec. 2000).

“Pour empêcher que cet appareil cause du brouillage au service faisant l’objet d’une licence, il doit être utilisé à l’intérieur et devrait être placé loin des fenêtres afin de fournir un écran de blindage maximal. Si le matériel (ou son antenne d’émission) est installé à l’extérieur, il doit faire l’objet d’une licence.”

European Union  Notice

Product with the CE Marking comply with the EMC Directive (89/336/EEC) and the Low Voltage Directive (73/23/EEC) issued by the Commission of the European Community and if this product has telecommunication functionality, the R&TTE Directive (1999/5/EC).

Compliance with these directives implies conformity to the following European Norms (in parentheses are the equivalent international standards and regulations):

- EN55022 (CISPR 22)— Electromagnetic Interference
- EN55024 (IEC61000-4-2,3,4,5,6,8,11)— Electromagnetic Immunity
- EN61000-3-2— (IEC61000-3-2)-Power Line Harmonics
- EN61000-3-3— (IEC61000-3-3)-Power Line Flicker
- EN60950 (IEC60950) — Product Safety

For devices with built-in wireless equipment, the following additional standards apply:

- ETSI301489-17: General Emissions for Radio Equipment
- EN60950: Safety
- ETSI300328-2: Technical Requirements for Radio Equipment

CE Caution: Due to the fact that the frequencies used by 802.11b/802.11g wireless LAN devices may not yet be harmonized in all countries, 802.11b/802.11g products are designed for use only in specific countries or regions, and are not allowed to be operated in countries or regions other than those of designated use. As a user of these products, you are responsible for ensuring that the products are used only in the countries or regions for which they were intended and for verifying that they are configured with the correct selection of frequency and channel for the country or region of use. And deviation from permissible settings and restrictions in the country or region of use could be an infringement of local law and may be punished as such.

The wireless LAN device can currently be used indoors only in the following departments of mainland France.

01	Ain	36	Indre	69	Rhône
02	Aisne	37	Indre et Loire	70	Haute Saône
03	Allier	39	Jura	71	Saône et Loire
05	Hautes Alpes	41	Loir et Cher	72	Sarthe
08	Ardennes	42	Loire	75	Paris
09	Ariège	45	Loiret	77	Seine et Marne
10	Aube	50	Manche	78	Yvelines
11	Aude	54	Meurthe et Moselle	79	Deux Sèvres
12	Aveyron	55	Meuse	82	Tarn et Garonne
16	Charente	57	Moselle	84	Vaucluse
19	Corrèze	58	Nièvre	86	Vienne
2A	Corse Sud	59	Nord	88	Vosges
2B	Haute Corse	60	Oise	89	Yonne
21	Côte d'Or	61	Orne	90	Territoire de Belfort
24	Dordogne	63	Puy du Dôme	91	Essonne
25	Doubs	64	Pyrénées Atlantique	92	Hauts de Seine
26	Drôme	65	Haute Pyrénées	93	Seine St Denis
27	Eure	66	Pyrénées Orientales	94	Val de Marne
32	Gers	67	Bas Rhin		
35	Ille et Vilaine	68	Haut Rhin		

The wireless LAN device cannot currently be used in any departments of mainland France other than those listed above.

Maximum allowable EIRP 802.11b wireless LAN cards in the mainland departments of France not shown in the table above are as follows: (See the ART website at www.art-telecom.fr for information on the French overseas territories.)

Frequency Ranges (MHz)	Indoors	Outdoors
2400 – 2446.5	10 mW	Not permitted
2446.5 – 2483.5	100 mW	100 mW on private property with Ministry of Defense approval

Japanese Notice

本装置は、第二種情報装置（住宅地域またはその隣接した地域において使用されるべき情報装置）で住宅地域での電波障害防止を目的とした情報処理装置等電波障害自主規制協議会（VCCI）基準に適合しております。
しかし、本装置をラジオ、テレビジョン受信機に、近接してご使用になると、受信障害の原因となることがあります。本書の説明にしたがって正しい取り扱いをしてください。

DGT Statement

根據交通部 低功率管理辦法 規定：

- 第十四條 經型式認證合格之低功率射頻電機，非經許可，公司、商號或使用者均不得擅自變更頻率、加大功率或變更原設計之特性及功能。
- 第十七條 低功率射頻電機之使用不得影響飛航安全及干擾合法通信，經發現有干擾現象時，應立即停用，並改善至無干擾時方得繼續使用。
- 第二十條 輸入、製造低功率射頻電機之公司、商號或使用者違反本辦法規定，擅自使用或變更無線電頻率、電功率者，除依電信法規定處罰外，電信總局並得撤銷其型式認證證明或型式認證標籤。

U.S. Regulations Governing the Use of Modems

This equipment complies with Part 68 of the FCC Rules. On this equipment is a label that contains, among other information, the FCC registration number and **R**inger **E**quivalence **N**umber (**REN**) for this equipment. You must, upon request, provide this information to your telephone company.

If your telephone equipment harms the telephone network, the Telephone Company may discontinue your service temporarily. If possible, they will notify in advance. But, if advance notice is not practical, you will be notified as soon as possible. You will be informed of your right to file a complaint with the FCC.

Your telephone company may make changes in its facilities, equipment, operations, or procedures that could affect proper operation of your equipment. If they do, you will be notified in advance to give you an opportunity to maintain uninterrupted telephone service.

The FCC prohibits this equipment to be connected to party lines or coin-telephone service.

In the event that this equipment should fail to operate properly, disconnect the equipment from the phone line to determine if it is causing the problem. If the problem is with the equipment, discontinue use and contact your dealer or vendor.

The FCC also requires the transmitter of a FAX transmission be properly identified (per FCC Rules Part 68, Sec 68.381 (C) (3)).

Japanese Modem Notice

本製品を日本で使用する場合は必ず日本国モードでご使用ください。
他国のモードをご使用になると電気通信事業法(技術基準)に違反す
行為となります。なお、ご購入時は初期値が日本国モードとなっており
ますので、そのままご利用ください。

U.K. Modem Compliance Information

This modem is approved by the secretary of state at the Department of Trade and Industry for connection to a single exchange line of the public switched telephone network run by certain licensed public telecommunication operators or system connected there to (Direct exchange lines only, not shared service or 1-1 carrier systems).

This modem is also suitable for connection to **P**rivate **A**utomatic **B**ranch **E**xchange (**PABX**), which return secondary proceeding indication.

If this modem is to be used with a PBX which has extension wiring owned by BT, connection of the modem the PBX can only be carried out by BT; or by the authorized maintainer of the PBX unless the authorized maintainer has been given 14 days written notice that the connection is to be made by another person; and that period of notification has expired.

This modem is suitable for use only on telephone lines proved with Loop Disconnect or Multi-Frequency Dialing Facilities.

Users of this modem are advised that the approval is for connection to the **PSTN** via the telephone line interface supplied with it. Connection of a modem to the **PSTN** by any other means will invalidate the approval.

There is no guarantee of correct working in all circumstances. Any difficulties should be referred to your supplier.

Some network operators require that intended users of their network request permission to connect and for the installation of an appropriate socket.

The **R**inger **E**quivalence **N**umber (**REN**) of this modem is 1. **REN** is guide to the maximum number of apparatus that can simultaneously be connected to one telephone line. The **REN** value of each apparatus is added together, and should not exceed 4. Unless otherwise marked, a telephone is assumed to have a **REN** of 1.

This modem is only approved for use of the following facilities:

- Storage of telephone numbers for retrieval by a predator mined code.
- Initial proceed indication detection.
- Automatic calling / automatic answering.
- Tone detection.
- Loud-speaking facility.

This modem is not approved for connection to U.K./private speech-band services. This modem does not support an automatic re-dial function. Any other usage will invalidate the approval of your modem, if as a result, it then ceases to conform to the standards against which approval was granted. The approval of this modem is invalidated if the apparatus is subject to modification in any material way not authorized by the **BABT** or if it is used with, or connected to external software that have not been formally accepted by **BABT**.